



US00D896951S

(12) **United States Design Patent**
Hume

(10) **Patent No.:** **US D896,951 S**

(45) **Date of Patent:** **** Sep. 22, 2020**

(54) **ASH DISPOSAL DEVICE**

(71) Applicant: **Michael Scott Hume**, Cypress, TX
(US)

(72) Inventor: **Michael Scott Hume**, Cypress, TX
(US)

(**) Term: **15 Years**

(21) Appl. No.: **29/689,691**

(22) Filed: **May 1, 2019**

Related U.S. Application Data

(63) Continuation-in-part of application No. 29/608,017,
filed on Jun. 19, 2017, now Pat. No. Des. 858,739.

(51) **LOC (12) Cl.** **23-04**

(52) **U.S. Cl.**
USPC **D23/420**

(58) **Field of Classification Search**
USPC D7/402; D9/456; D23/420, 499
CPC A47J 37/0786; A47J 37/07; A47J 2201/00;
A47J 33/00; A47J 37/0768; A47J 37/079

See application file for complete search history.

(56) **References Cited**

U.S. PATENT DOCUMENTS

D704,506 S * 5/2014 Boo D7/402
10,151,490 B1 * 12/2018 Wolf F24B 1/1808

* cited by examiner

Primary Examiner — Michael A. Pratt

(74) *Attorney, Agent, or Firm* — Dale J. Ream

(57) **CLAIM**

The ornamental design for an ash disposal device, as shown and described.

DESCRIPTION

FIG. 1 is a perspective view illustrated in a deployed configuration of a ash disposal device showing my new design;

FIG. 2 is a perspective view of the ash disposal device illustrated in a gathered configuration thereof;

FIG. 3 is a top plan view thereof;

FIG. 4 is a bottom plan view thereof;

FIG. 5 is a left side view thereof;

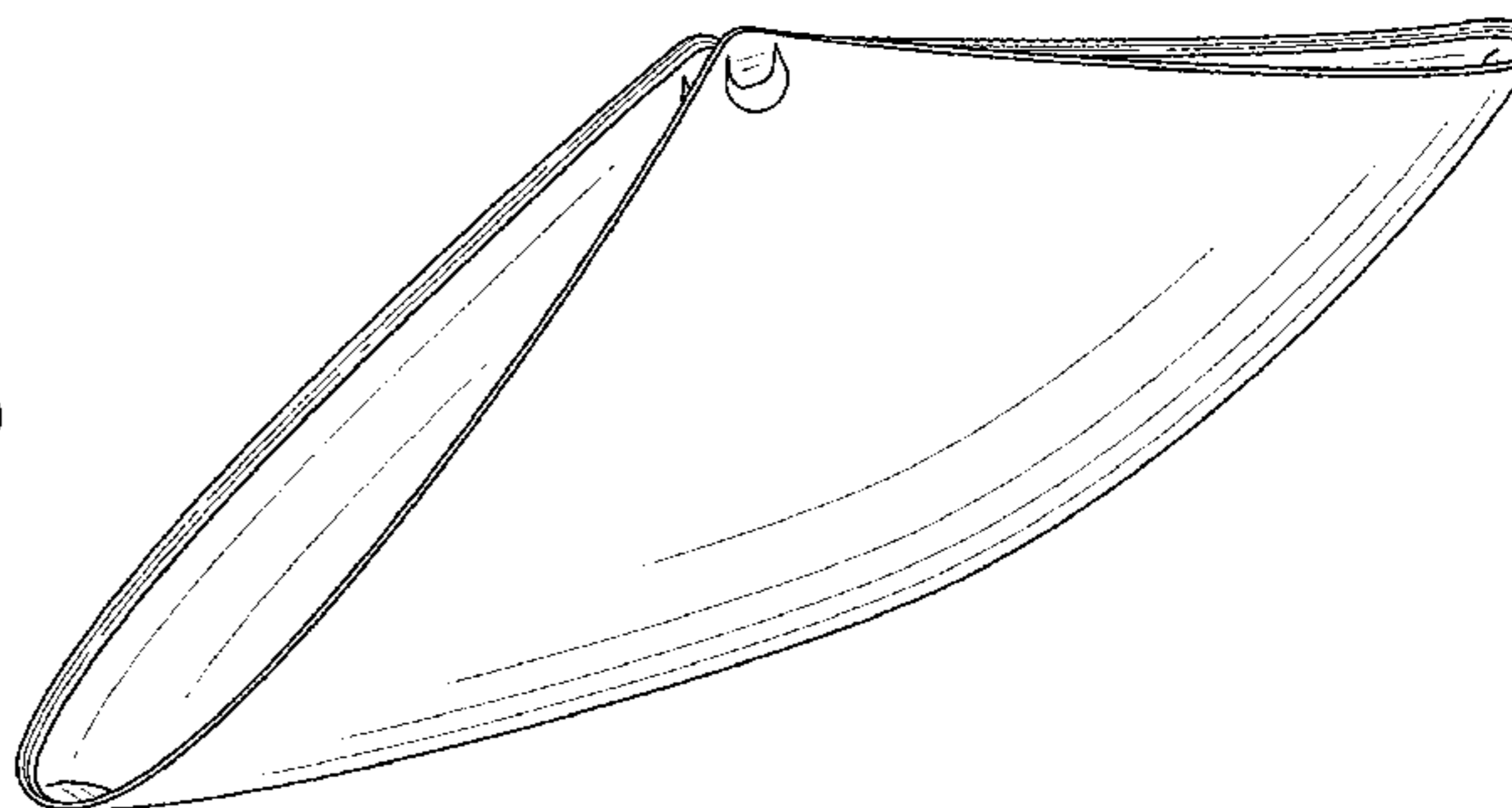
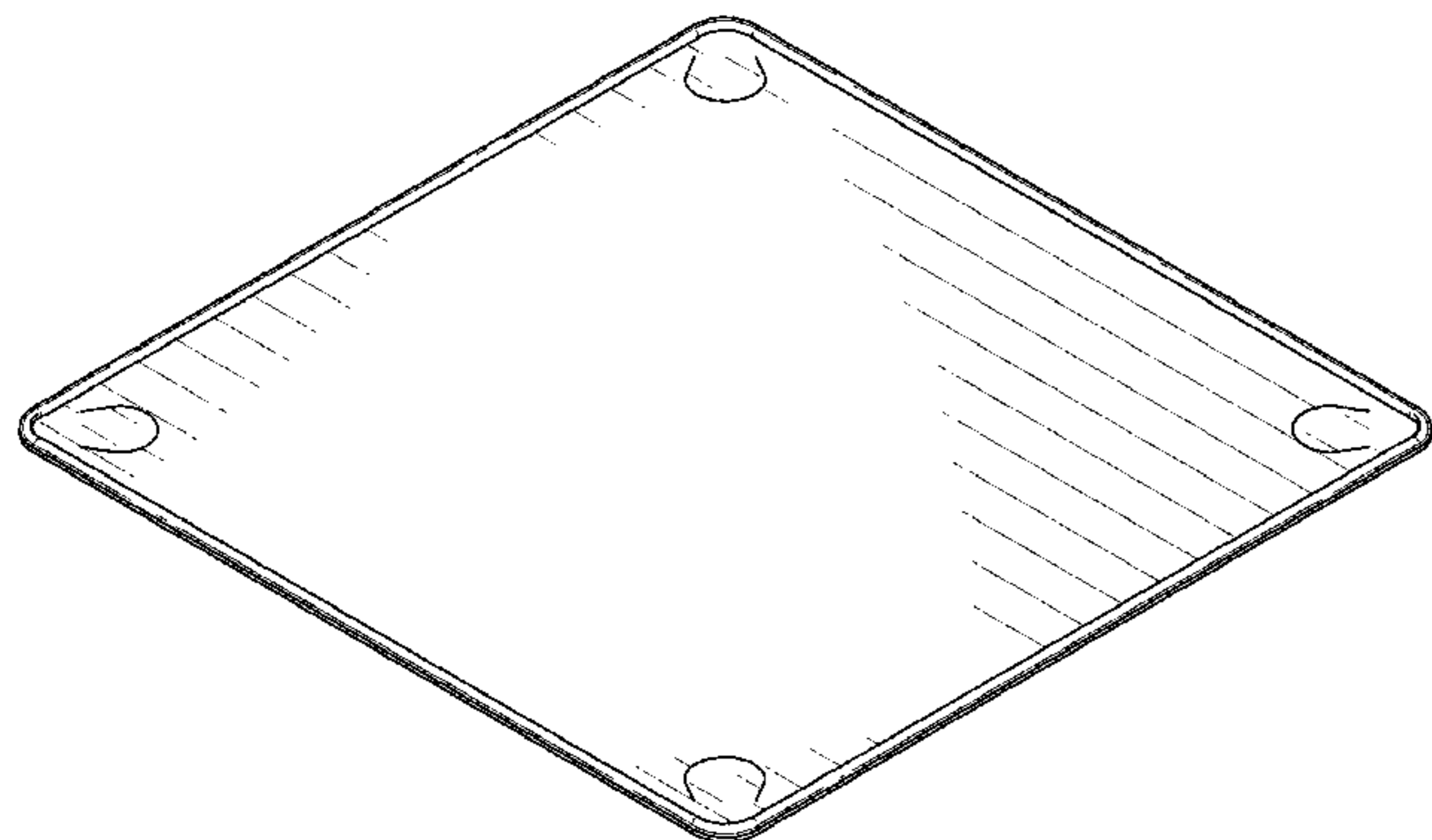
FIG. 6 is a right side view thereof;

FIG. 7 is a front side view thereof;

FIG. 8 is a back side view thereof; and,

FIG. 9 is a perspective view of the ash disposal device illustrated in a partially gathered configuration thereof.

1 Claim, 4 Drawing Sheets



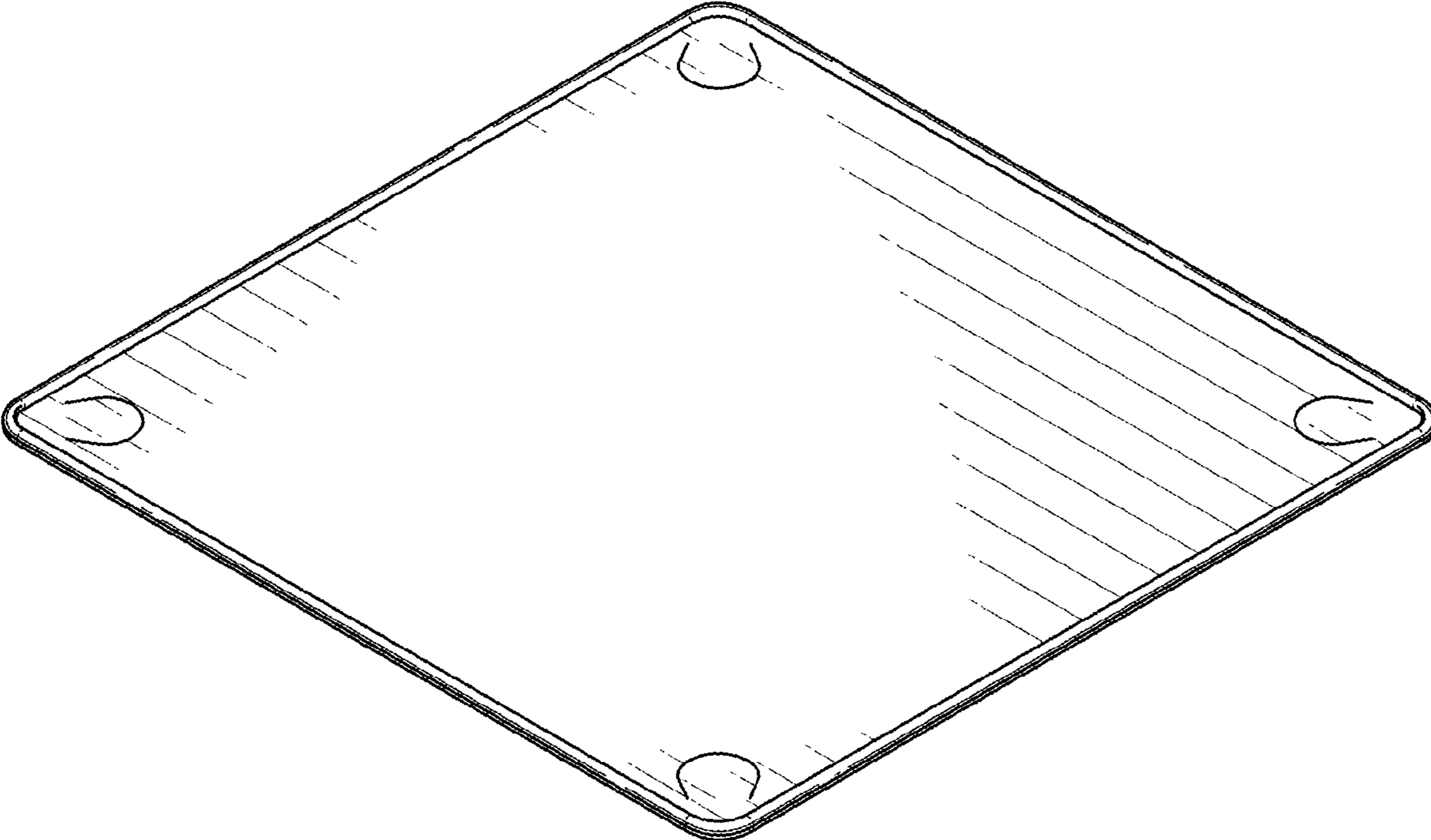


FIG. 1

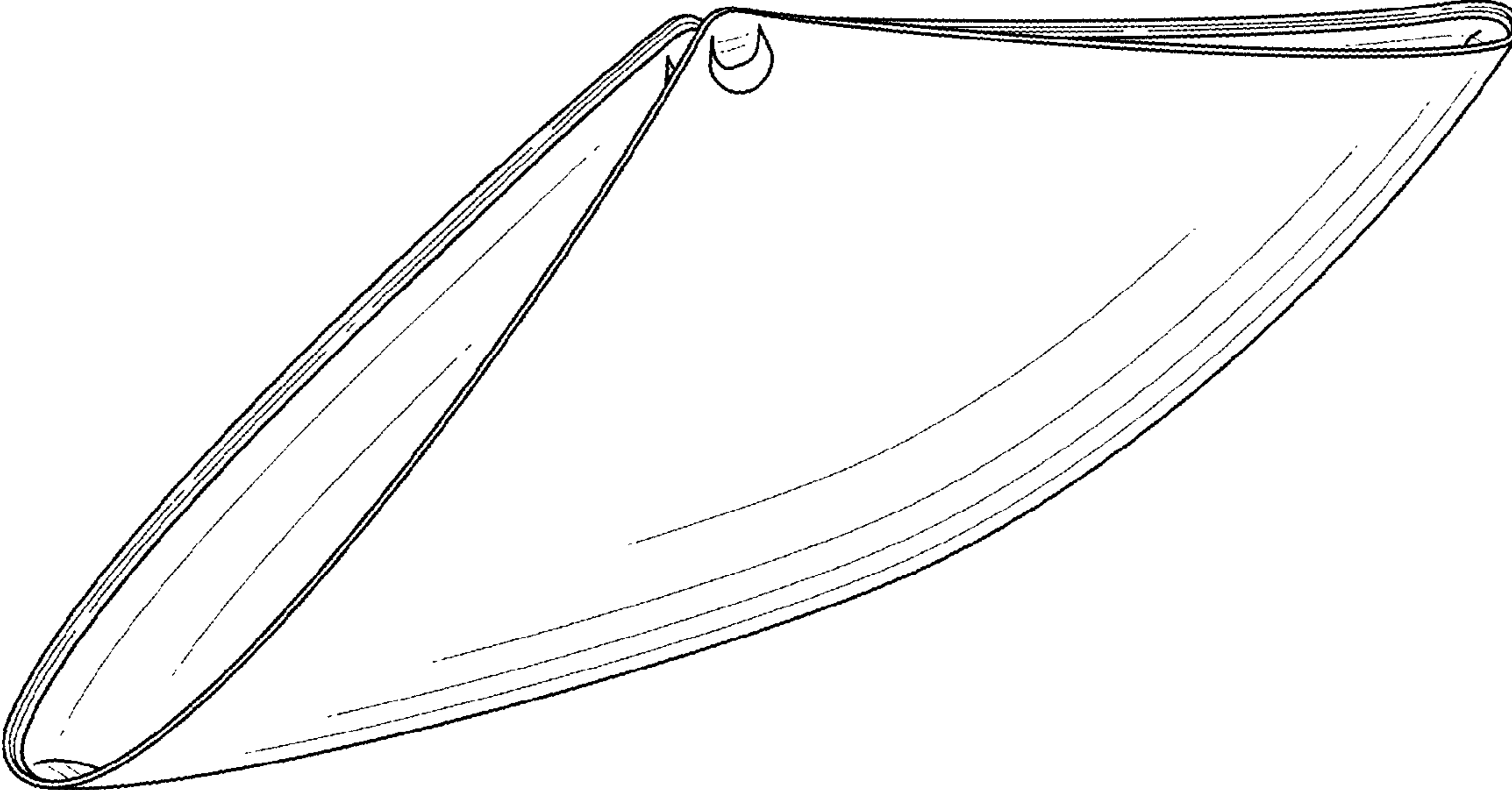


FIG. 2

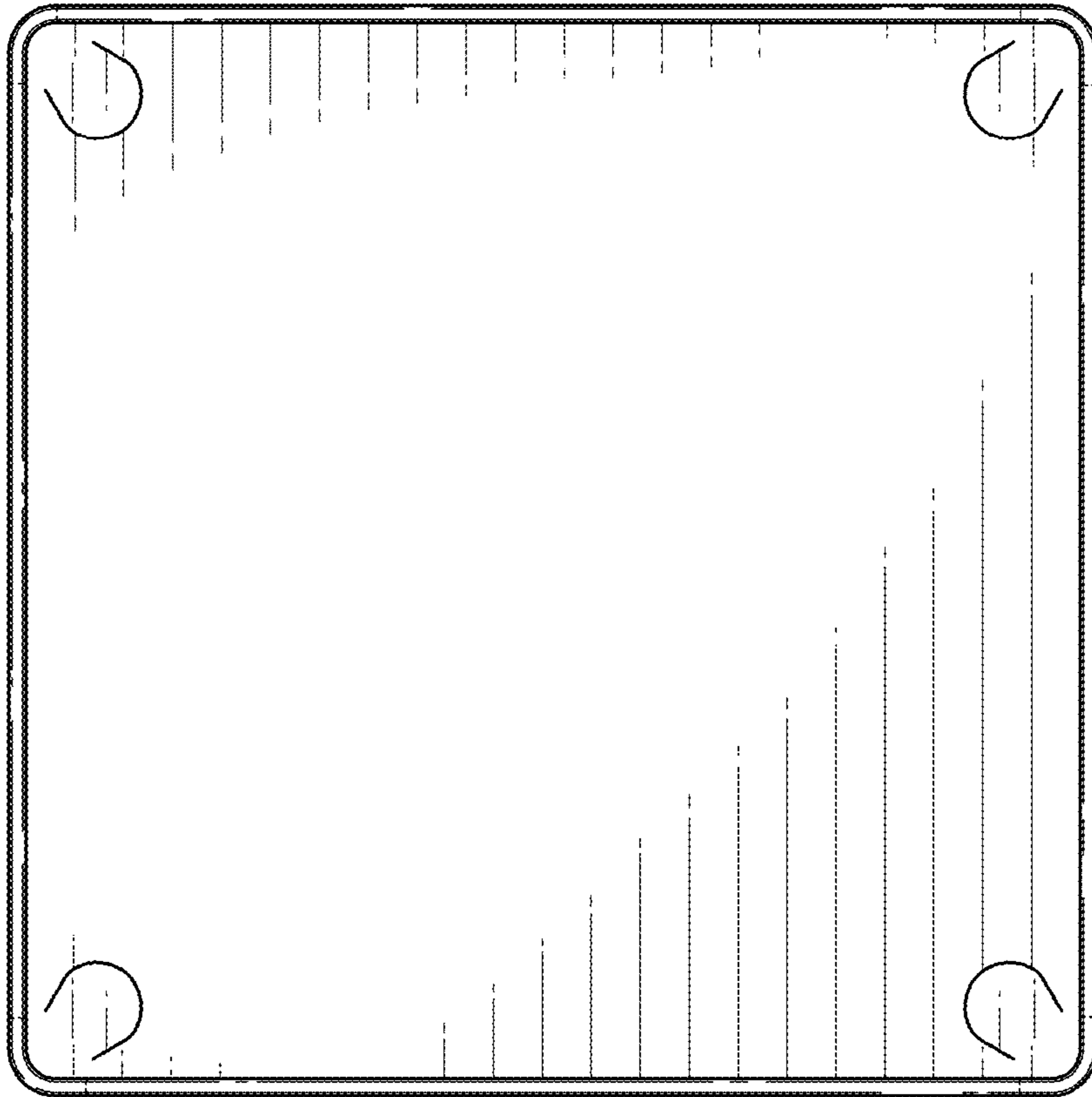


FIG. 3

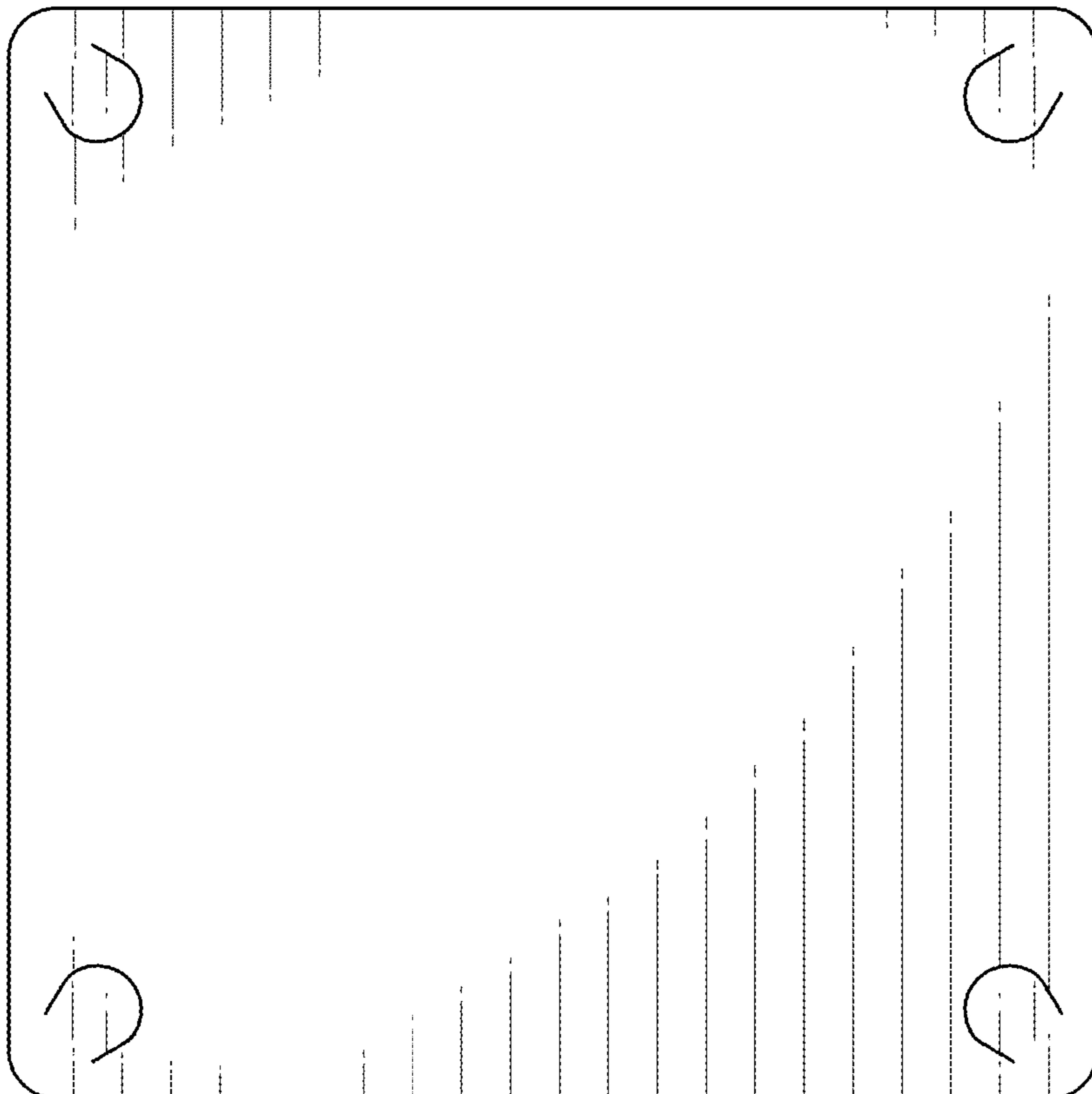


FIG. 4



FIG. 5



FIG. 6



FIG. 7

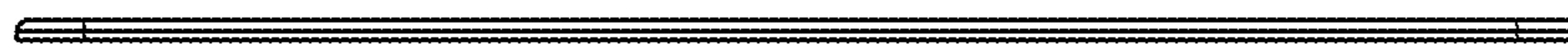


FIG. 8

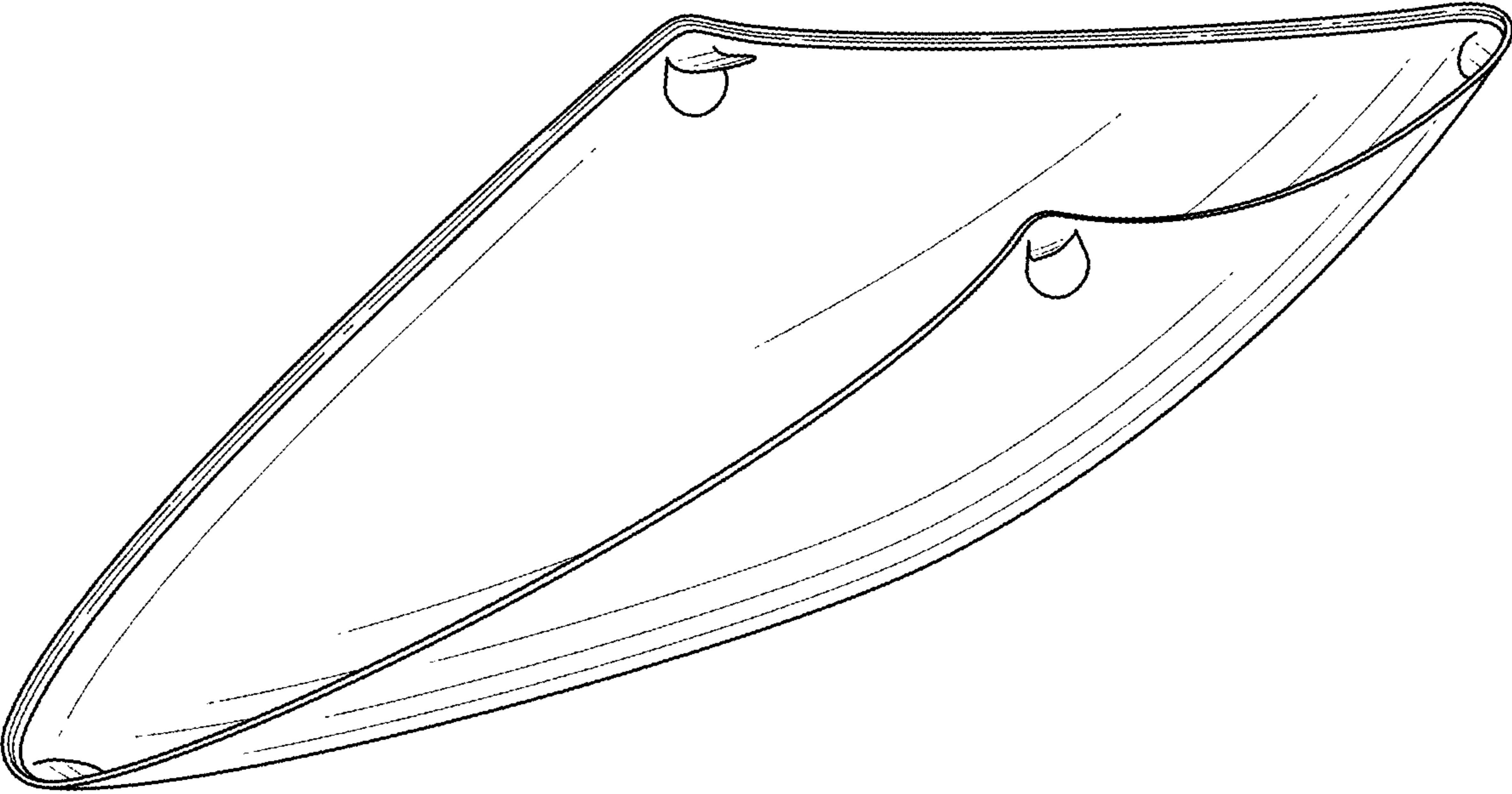


FIG. 9