



US00D896950S

(12) **United States Design Patent**  
**Wang**

(10) **Patent No.:** **US D896,950 S**

(45) **Date of Patent:** **\*\* Sep. 22, 2020**

(54) **CEILING FAN**

(71) Applicant: **AIR COOL INDUSTRIAL CO., LTD.**, Taichung (TW)

(72) Inventor: **Cliff Wang**, Taichung (TW)

(73) Assignee: **AIR COOL INDUSTRIAL CO., LTD.**, Taichung (TW)

(\*\*) Term: **15 Years**

(21) Appl. No.: **29/671,623**

(22) Filed: **Nov. 28, 2018**

(51) **LOC (12) Cl.** ..... **23-04**

(52) **U.S. Cl.**  
USPC ..... **D23/411**; D23/385; D23/377

(58) **Field of Classification Search**  
USPC ..... D23/377, 370–376, 378–394, 411–414,  
D23/499; D26/51, 59, 72, 79, 92, 124  
CPC .... F04D 25/088; F04D 29/322; F04D 29/324;  
F04D 29/388; F04D 29/601  
See application file for complete search history.

(56) **References Cited**

**U.S. PATENT DOCUMENTS**

D195,287 S *	5/1963	Downing	.....	D23/370
D298,454 S *	11/1988	Clyde-Mason	.....	D23/377
D417,269 S *	11/1999	Thomas, Jr.	.....	D23/377
D426,879 S *	6/2000	Gajewski	.....	D23/377
6,364,638 B1 *	4/2002	Liu	.....	F04D 25/105 416/5
D482,775 S *	11/2003	Young	.....	D23/411
D483,108 S *	12/2003	Frampton	.....	D23/411
D489,443 S *	5/2004	Gajewski	.....	D23/377
D489,809 S *	5/2004	Gajewski	.....	D23/411
D490,146 S *	5/2004	Gajewski	.....	D23/377
D517,197 S *	3/2006	Pickett	.....	D23/411
D527,451 S *	8/2006	Glasbrenner	.....	D23/385
D582,028 S *	12/2008	Lai	.....	D23/377

D698,914 S *	2/2014	Love	.....	D23/377
D698,915 S *	2/2014	Christopher	.....	D23/377
D700,311 S *	2/2014	Wang	.....	D23/385
D771,787 S *	11/2016	Wang	.....	D23/380
D779,049 S *	2/2017	Wang	.....	D23/385
D799,667 S *	10/2017	Wang	.....	D23/377
D799,680 S *	10/2017	Wang	.....	D23/385
D803,384 S *	11/2017	Wang	.....	D23/411
D804,635 S *	12/2017	Holmes	.....	D23/377
D805,173 S *	12/2017	Vajen Habig	.....	D23/377
9,845,811 B1 *	12/2017	Wang	.....	F04D 25/08
D808,510 S *	1/2018	Gajewski	.....	D23/377
D848,597 S *	5/2019	Gajewski	.....	D23/385
D848,601 S *	5/2019	Gajewski	.....	D23/411
D851,236 S *	6/2019	Gajewski	.....	D23/411
D870,876 S *	12/2019	Searle	.....	D23/411
D873,407 S *	1/2020	Wang	.....	D23/377
D876,613 S *	2/2020	Wang	.....	D23/411
D882,060 S *	4/2020	Wang	.....	D23/377

(Continued)

*Primary Examiner* — Marie D. Fast Horse

(74) *Attorney, Agent, or Firm* — Pai Patent & Trademark Law Firm; Chao-Chang David Pai

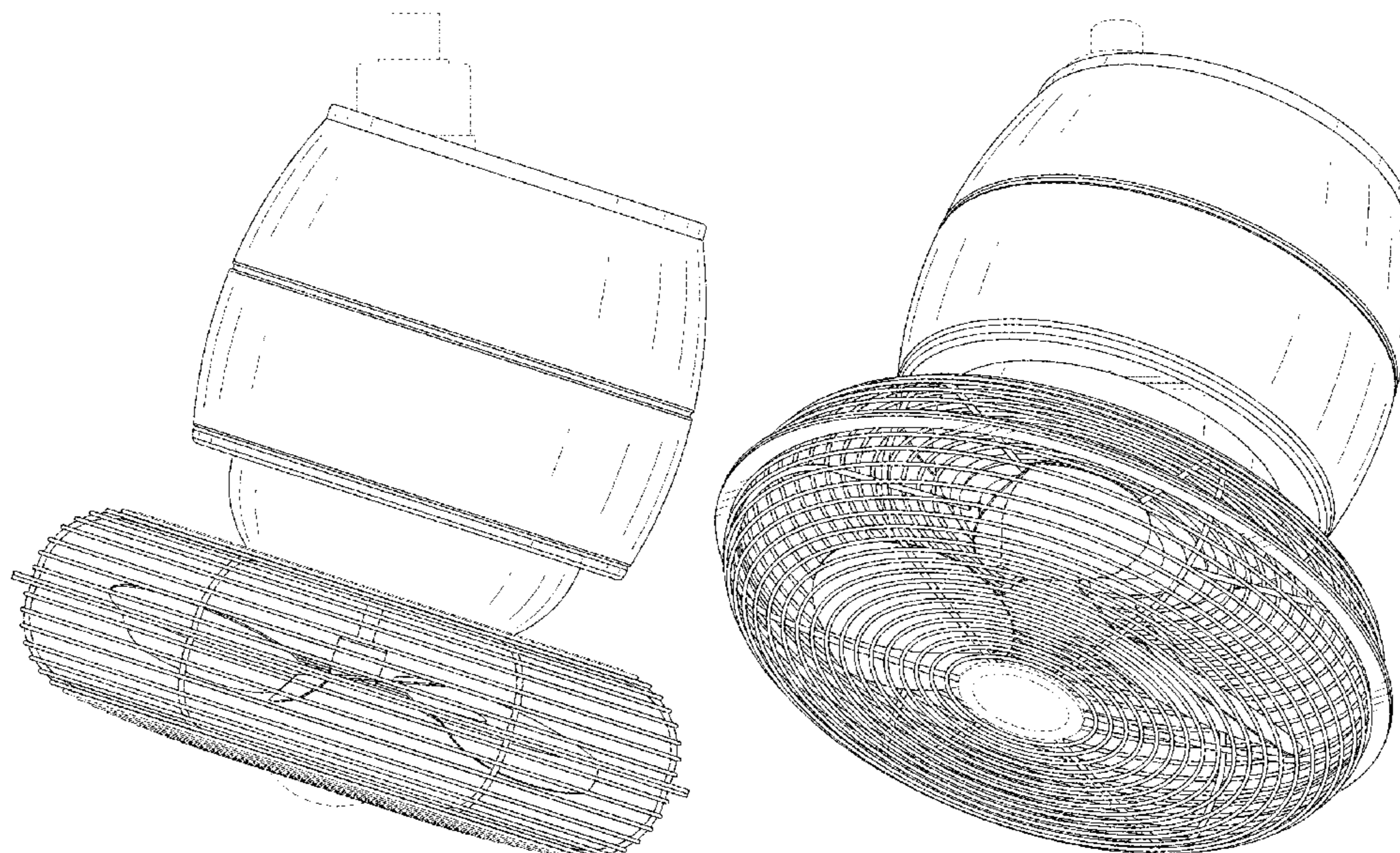
(57) **CLAIM**

The ornamental design for a ceiling fan, as shown and described.

**DESCRIPTION**

FIG. 1 is a front top perspective view of a ceiling fan showing my new design;  
FIG. 2 is a front elevational view thereof;  
FIG. 3 is a rear elevational view thereof;  
FIG. 4 is a left side elevational view thereof;  
FIG. 5 is a right side elevational view thereof;  
FIG. 6 is a top plan view thereof;  
FIG. 7 is a bottom plan view thereof; and,  
FIG. 8 is a front bottom perspective view thereof.  
The broken lines depict portions of the ceiling fan that form no part of the claimed design.

**1 Claim, 8 Drawing Sheets**



(56)

**References Cited**

U.S. PATENT DOCUMENTS

2003/0231962 A1\* 12/2003 Gajewski ..... F04D 25/088  
417/53  
2007/0166167 A1\* 7/2007 Fan ..... F04D 25/088  
416/244 R  
2008/0296459 A1\* 12/2008 Frampton ..... F04D 25/088  
248/343  
2008/0298961 A1\* 12/2008 Frampton ..... F04D 25/088  
415/213.1  
2008/0298968 A1\* 12/2008 Frampton ..... F04D 25/088  
416/170 R  
2013/0189082 A1\* 7/2013 Kan ..... F04D 25/088  
415/143  
2020/0088205 A1\* 3/2020 Wang ..... F04D 25/088

\* cited by examiner



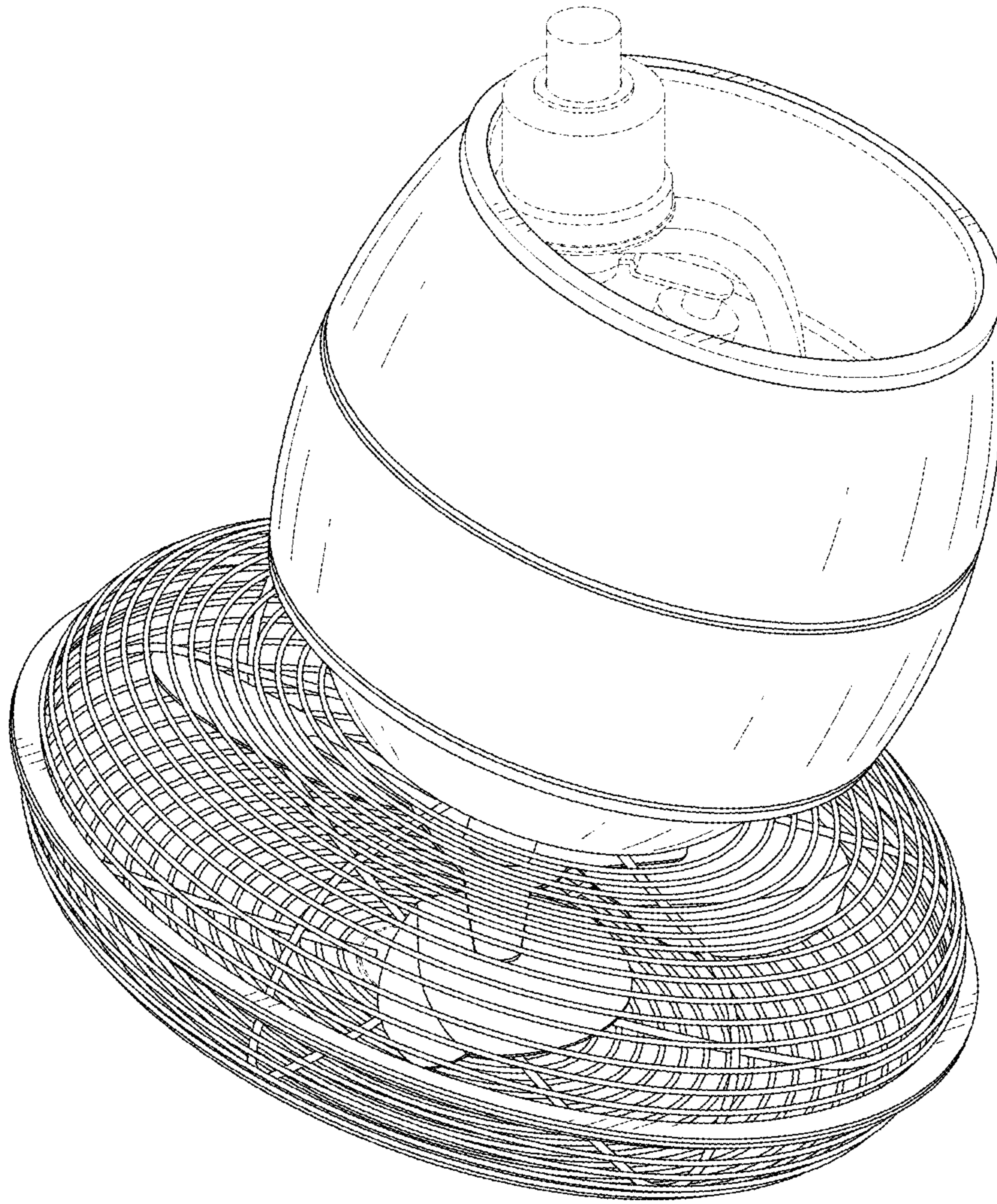


FIG. 1

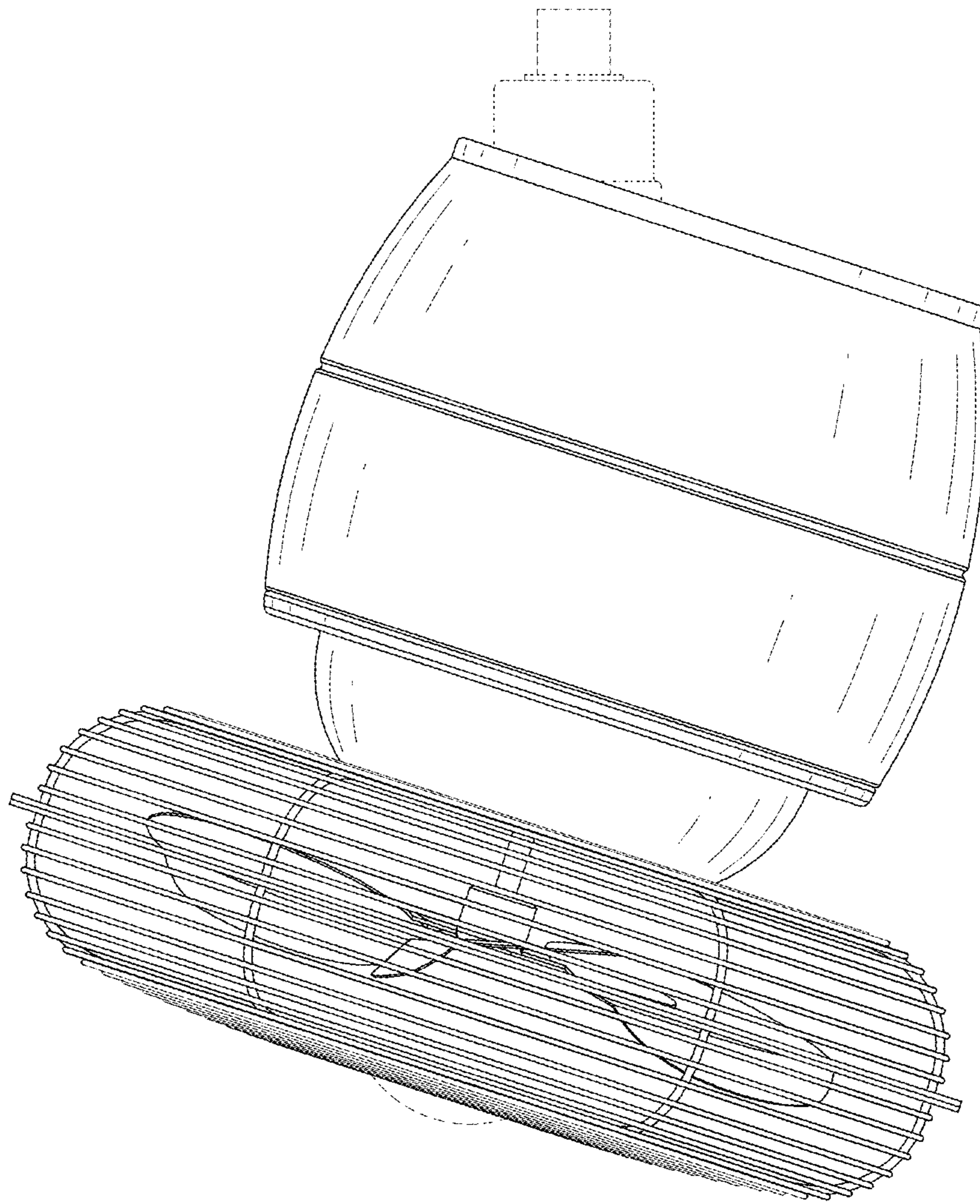


FIG. 2

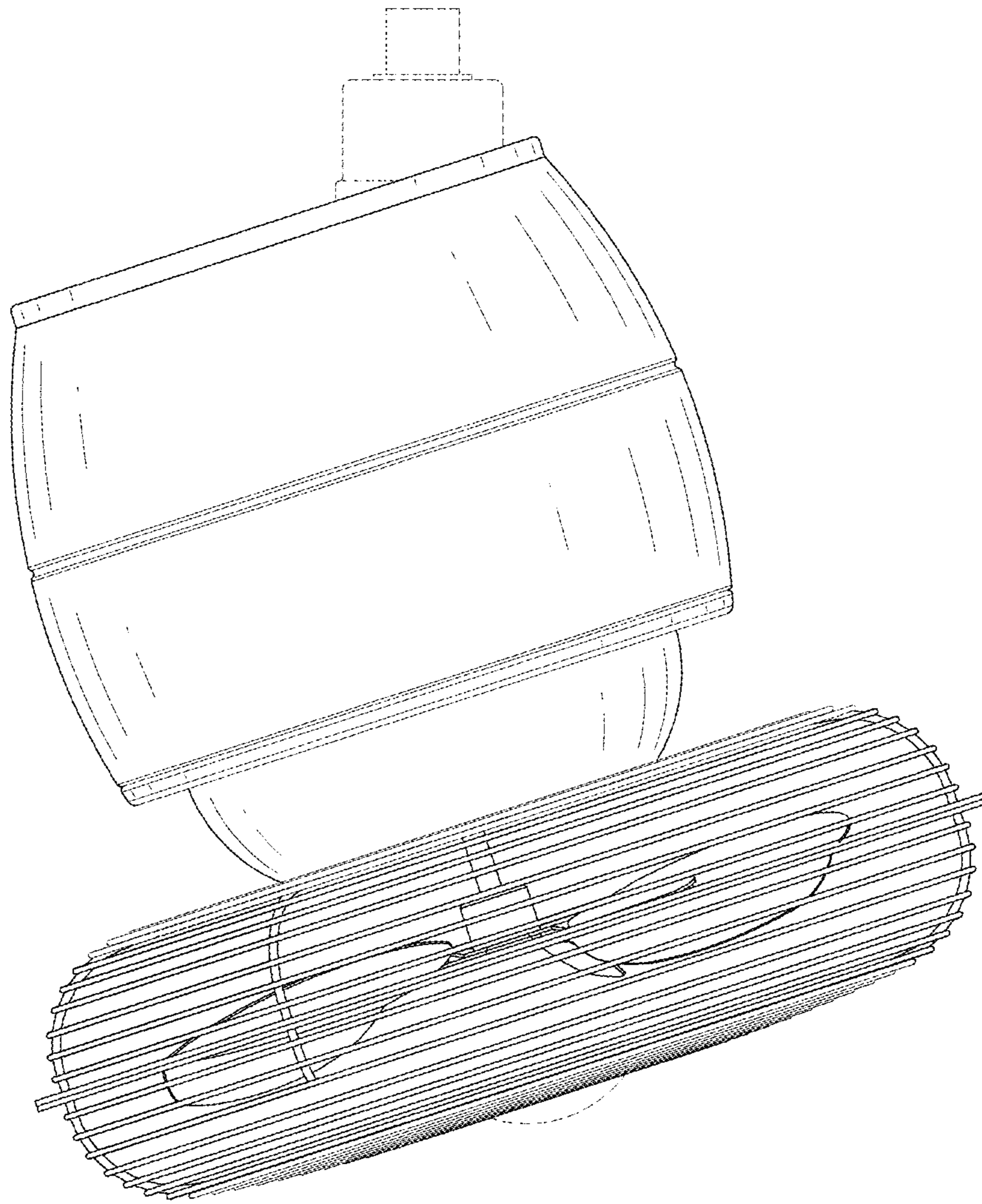


FIG. 3



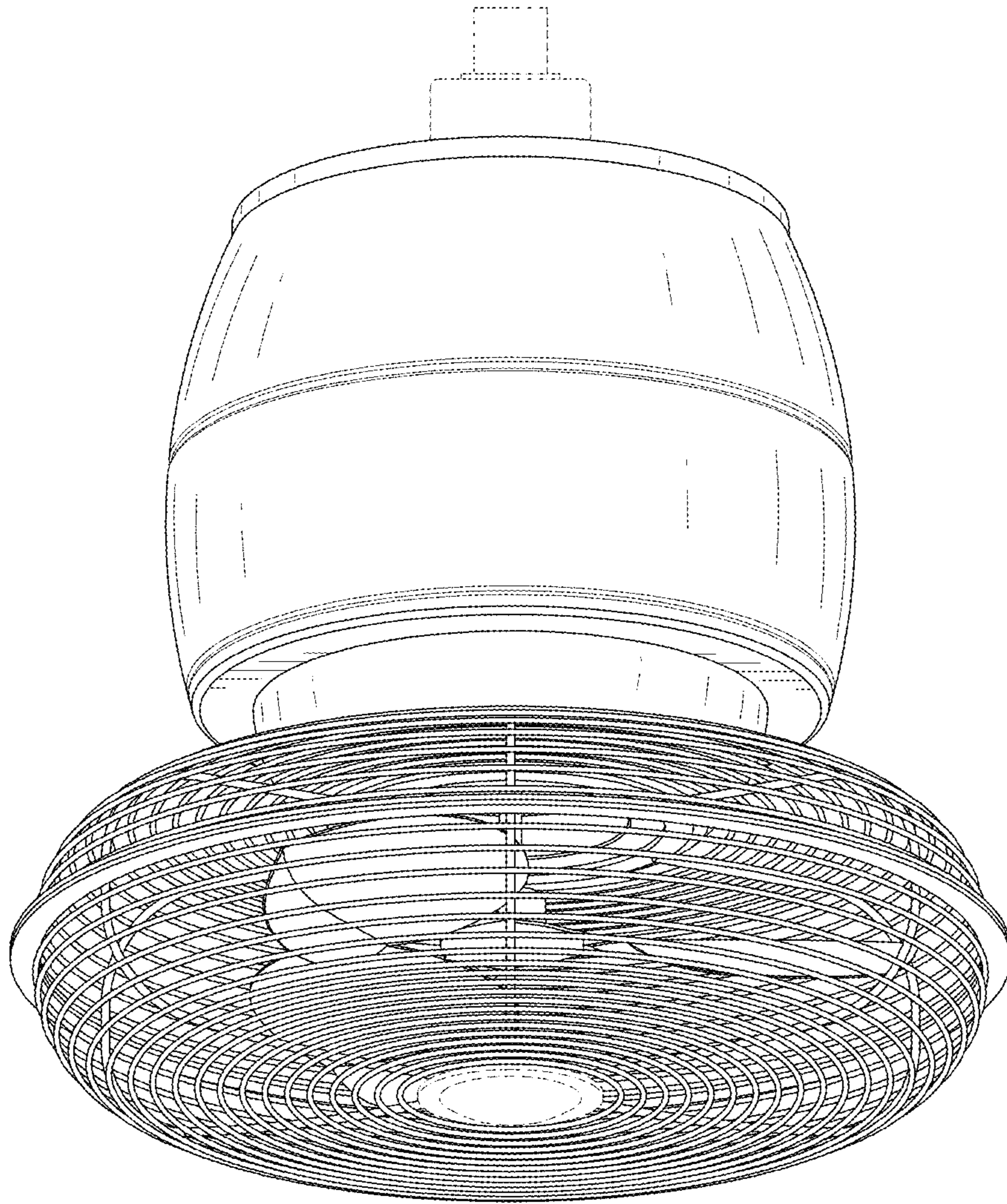


FIG. 4

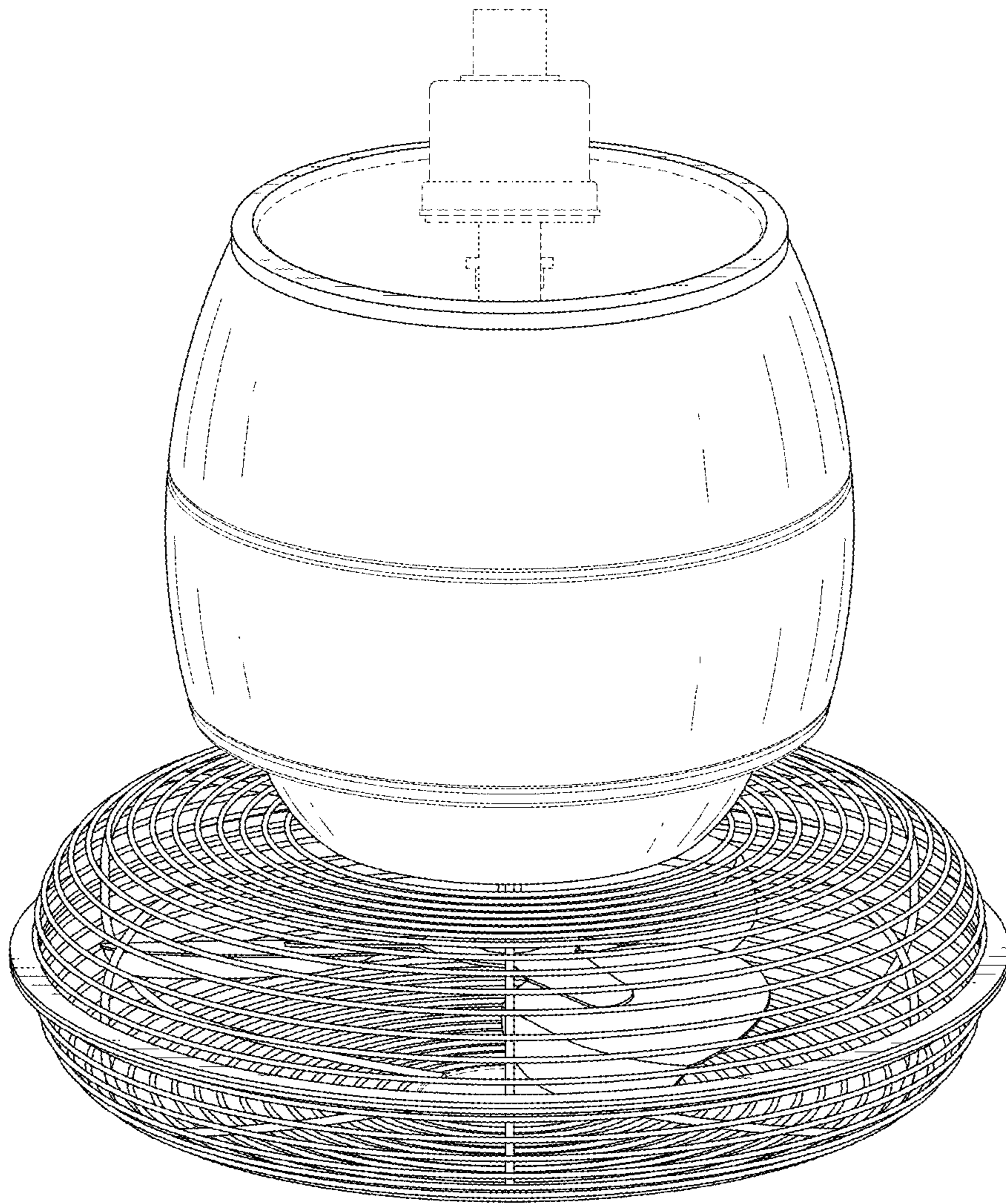


FIG. 5



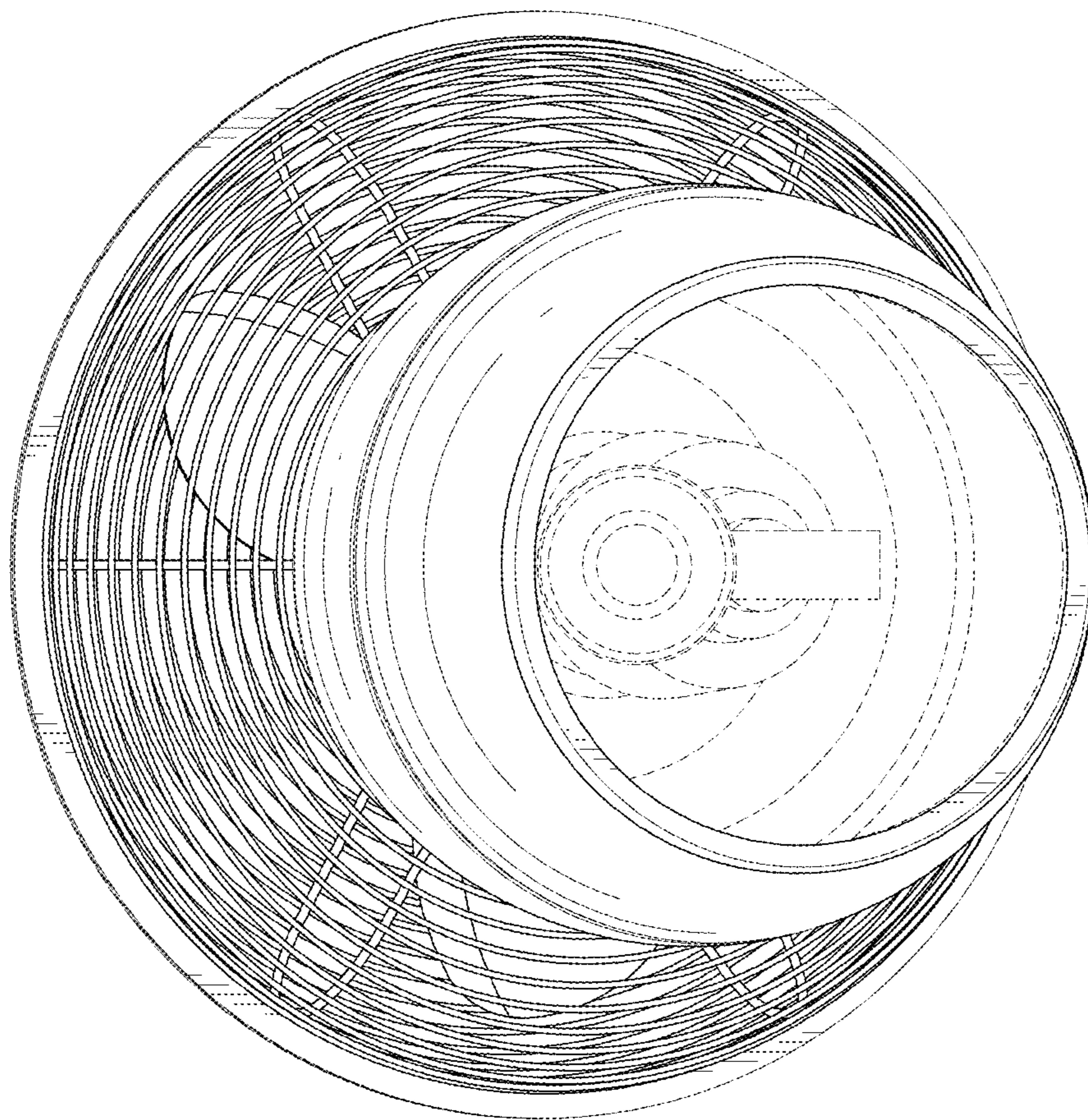


FIG. 6



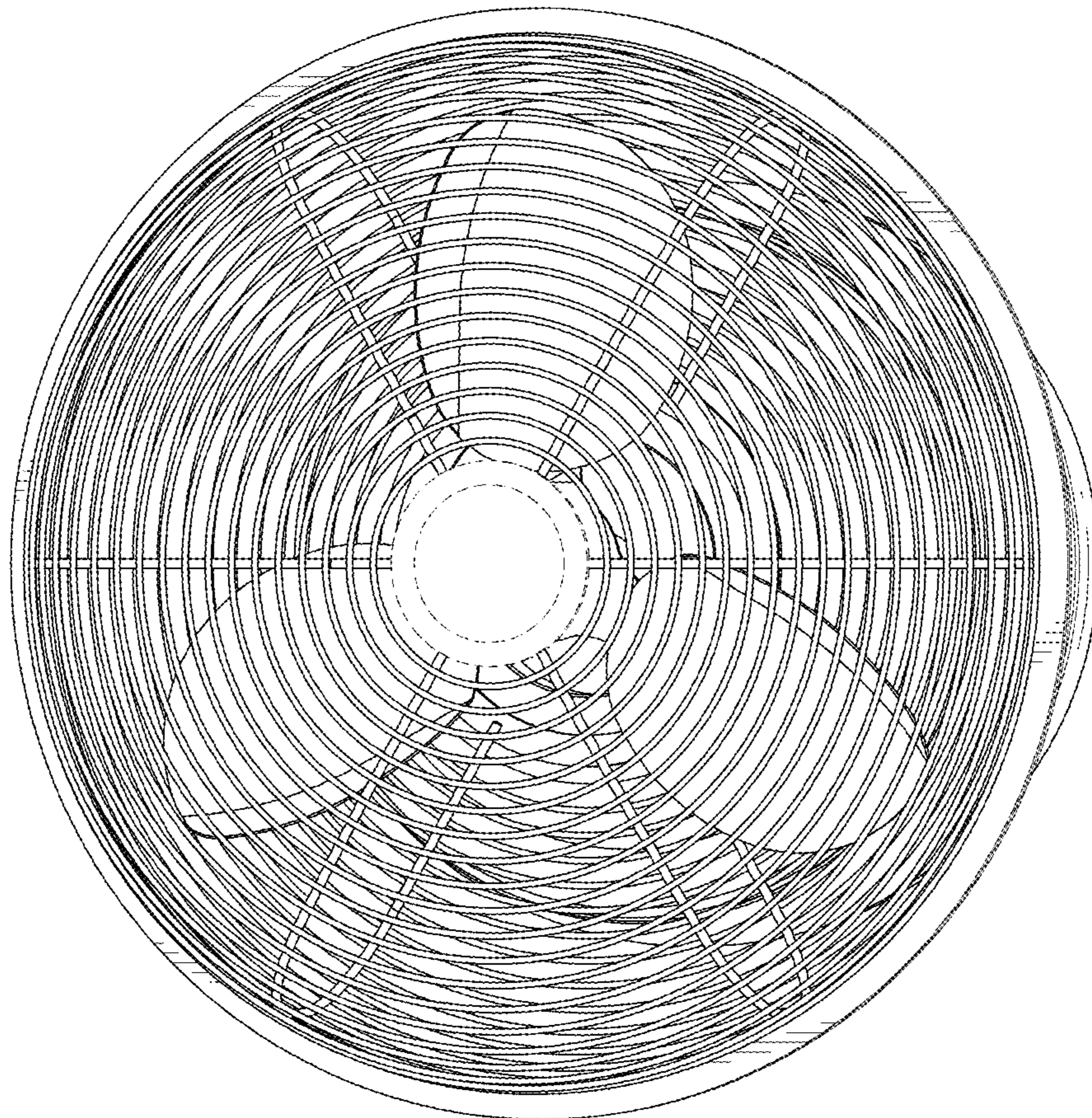


FIG. 7



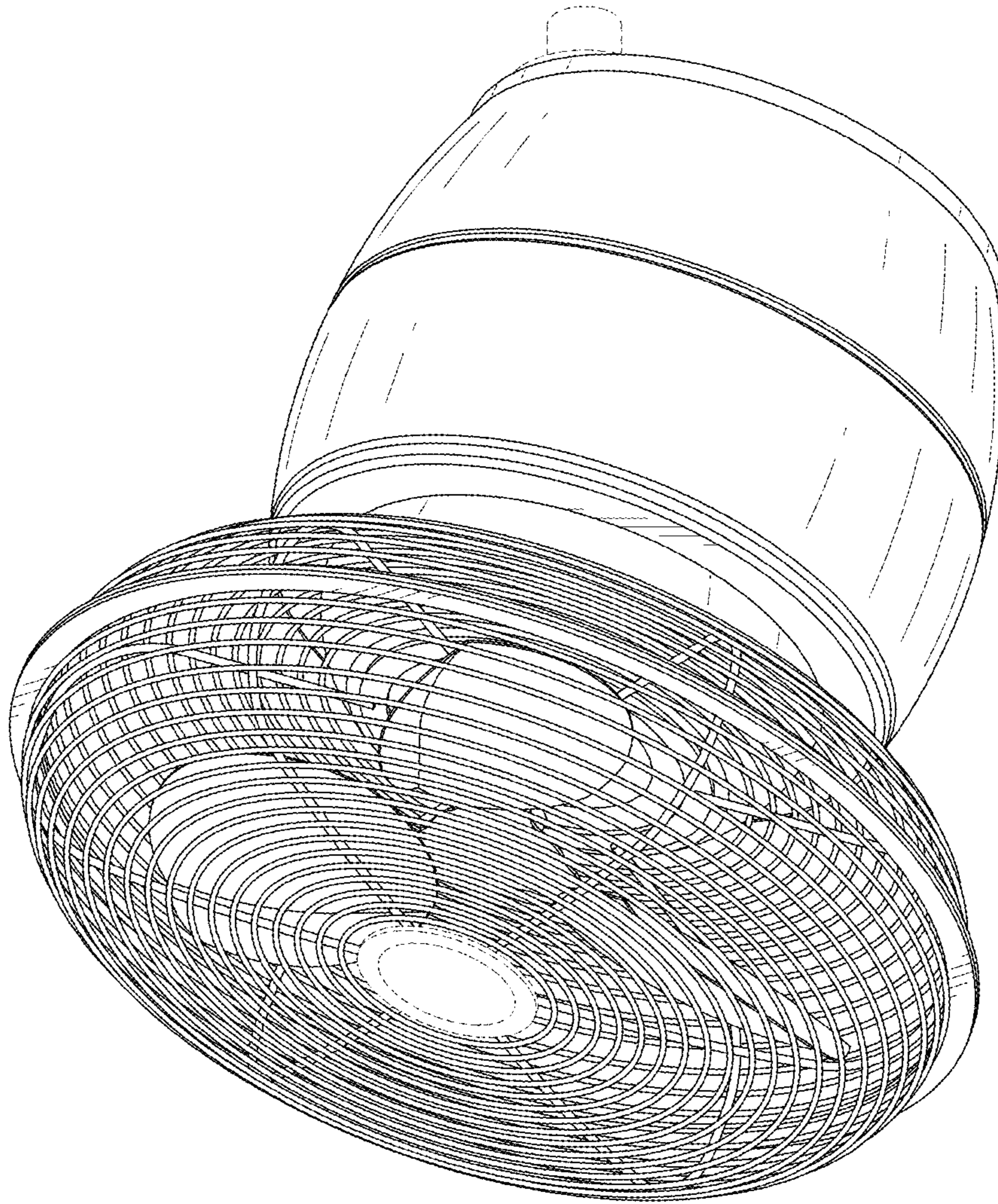


FIG. 8