



US00D896945S

(12) **United States Design Patent** (10) **Patent No.:** **US D896,945 S**  
**Gleixner et al.** (45) **Date of Patent:** **\*\* Sep. 22, 2020**

- (54) **AIR FILTER**
- (71) Applicant: **Briggs & Stratton Corporation**,  
Wauwatosa, WI (US)
- (72) Inventors: **Steven G. Gleixner**, Brookfield, WI  
(US); **Robert S. Johnson**, New Berlin,  
WI (US)
- (73) Assignee: **Briggs & Stratton Corporation**,  
Wauwatosa, WI (US)
- (\*\*) Term: **15 Years**
- (21) Appl. No.: **29/720,765**
- (22) Filed: **Jan. 15, 2020**

- D656,160 S 3/2012 Strommen et al.
- 8,167,966 B2 5/2012 Amirkhanian et al.
- D666,704 S 9/2012 Osendorf et al.
- D671,201 S 11/2012 Yano et al.
- D672,447 S 12/2012 Yano et al.
- D673,242 S 12/2012 Rowe
- D681,772 S 5/2013 Obrecht
- D685,897 S 7/2013 Drew
- D698,017 S 1/2014 Modesto
- D706,831 S 6/2014 Schultz
- 8,752,533 B2 6/2014 Schultz
- D713,023 S \* 9/2014 Chen ..... D23/365
- D716,427 S 10/2014 Lim et al.
- D717,420 S \* 11/2014 Von Seggern ..... D23/365
- D731,634 S 6/2015 Page et al.
- D735,293 S 7/2015 Schwartz et al.
- D735,310 S 7/2015 Drew
- D736,263 S 8/2015 Schultz

(Continued)

**Related U.S. Application Data**

- (62) Division of application No. 29/633,357, filed on Jan. 12, 2018, now Pat. No. Des. 876,600.
- (51) **LOC (12) Cl.** ..... **23-04**
- (52) **U.S. Cl.**  
USPC ..... **D23/365**
- (58) **Field of Classification Search**  
USPC ..... D23/209, 235, 341, 358, 363-365;  
D15/5; D7/368, 669; D24/122  
CPC ..... F02M 35/04; F02M 35/10; F02M 35/024;  
B01D 46/0002; B01D 46/10  
See application file for complete search history.

**References Cited**

**U.S. PATENT DOCUMENTS**

- 5,035,797 A 7/1991 Janik
- D330,746 S 11/1992 Zazulia
- D437,401 S 2/2001 Ramos et al.
- D548,307 S 8/2007 Reynolds et al.
- D570,951 S 6/2008 Morita et al.
- D636,859 S 4/2011 Lundgren et al.
- D638,034 S 5/2011 Jiang et al.

*Primary Examiner* — Lakiya G Rogers

*Assistant Examiner* — John A Voytek

(74) *Attorney, Agent, or Firm* — Foley & Lardner LLP

**CLAIM**

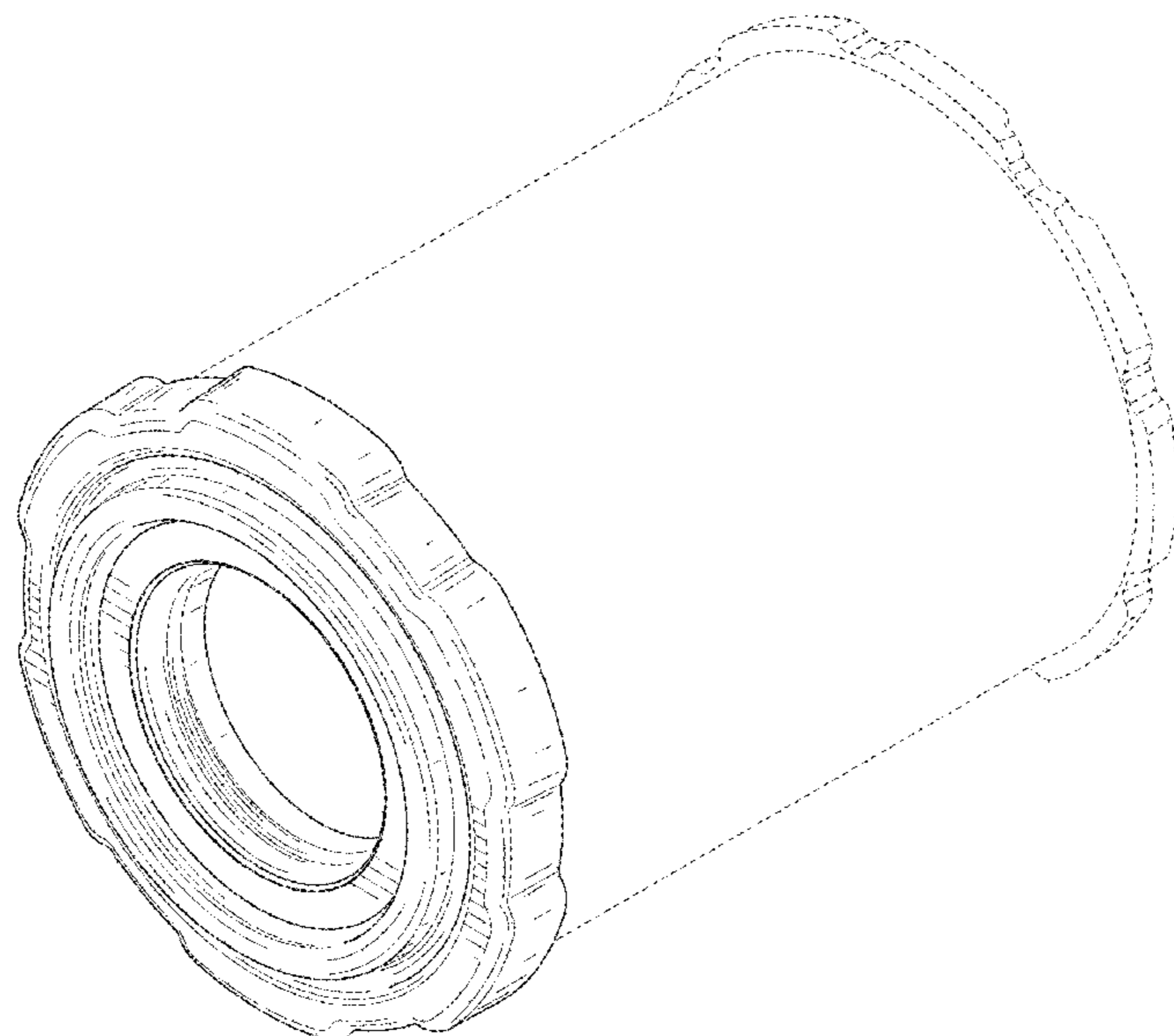
We claim the ornamental design for an air filter, as shown and described.

**DESCRIPTION**

FIG. 1 is a front perspective view from the right side of the air filter according to the claimed design;  
 FIG. 2 is a front view of the air filter of FIG. 1;  
 FIG. 3 is a rear view of the air filter of FIG. 1;  
 FIG. 4 is a left side view of the air filter of FIG. 1;  
 FIG. 5 is a right side view of the air filter of FIG. 1;  
 FIG. 6 is a top view of the air filter of FIG. 1;  
 FIG. 7 is a bottom view of the air filter of FIG. 1; and,  
 FIG. 8 is a cross-section view of the air filter of FIG. 1 along line 8-8 of FIG. 2.

Any portion of the article depicted in broken lines forms no part of the claimed design.

**1 Claim, 8 Drawing Sheets**



(56)

**References Cited**

U.S. PATENT DOCUMENTS

9,103,303	B2	8/2015	Schultz	
9,387,425	B2	7/2016	Osendorf et al.	
D762,834	S	8/2016	Kaufmann et al.	
D770,592	S	11/2016	Schwartz et al.	
D773,014	S	11/2016	Pale	
D782,000	S	3/2017	Morris et al.	
D792,942	S	7/2017	Adey et al.	
D793,523	S	8/2017	Adey et al.	
D799,657	S	10/2017	Sullivan et al.	
9,850,859	B2	12/2017	Schultz	
D810,232	S	2/2018	Schwartz et al.	
D817,440	S	5/2018	Lossie et al.	
10,052,575	B2	8/2018	Downs et al.	
D830,530	S *	10/2018	Webster .....	D23/366
D864,397	S *	10/2019	Dong .....	D24/169
D867,568	S *	11/2019	Gleixner .....	D23/365
D876,600	S *	2/2020	Gleixner .....	D23/365
2006/0111037	A1	5/2006	Poirier et al.	
2006/0180539	A1 *	8/2006	Wolf .....	B01D 35/30 210/232
2007/0181481	A1 *	8/2007	Reynolds .....	B01D 35/147 210/304
2007/0267338	A1 *	11/2007	Menez .....	B01D 35/30 210/435
2012/0060453	A1	3/2012	Holzmann et al.	
2015/0337779	A1	11/2015	Schultz	
2017/0328315	A1	11/2017	Sullivan et al.	
2019/0275453	A1	9/2019	Gleixner et al.	

\* cited by examiner

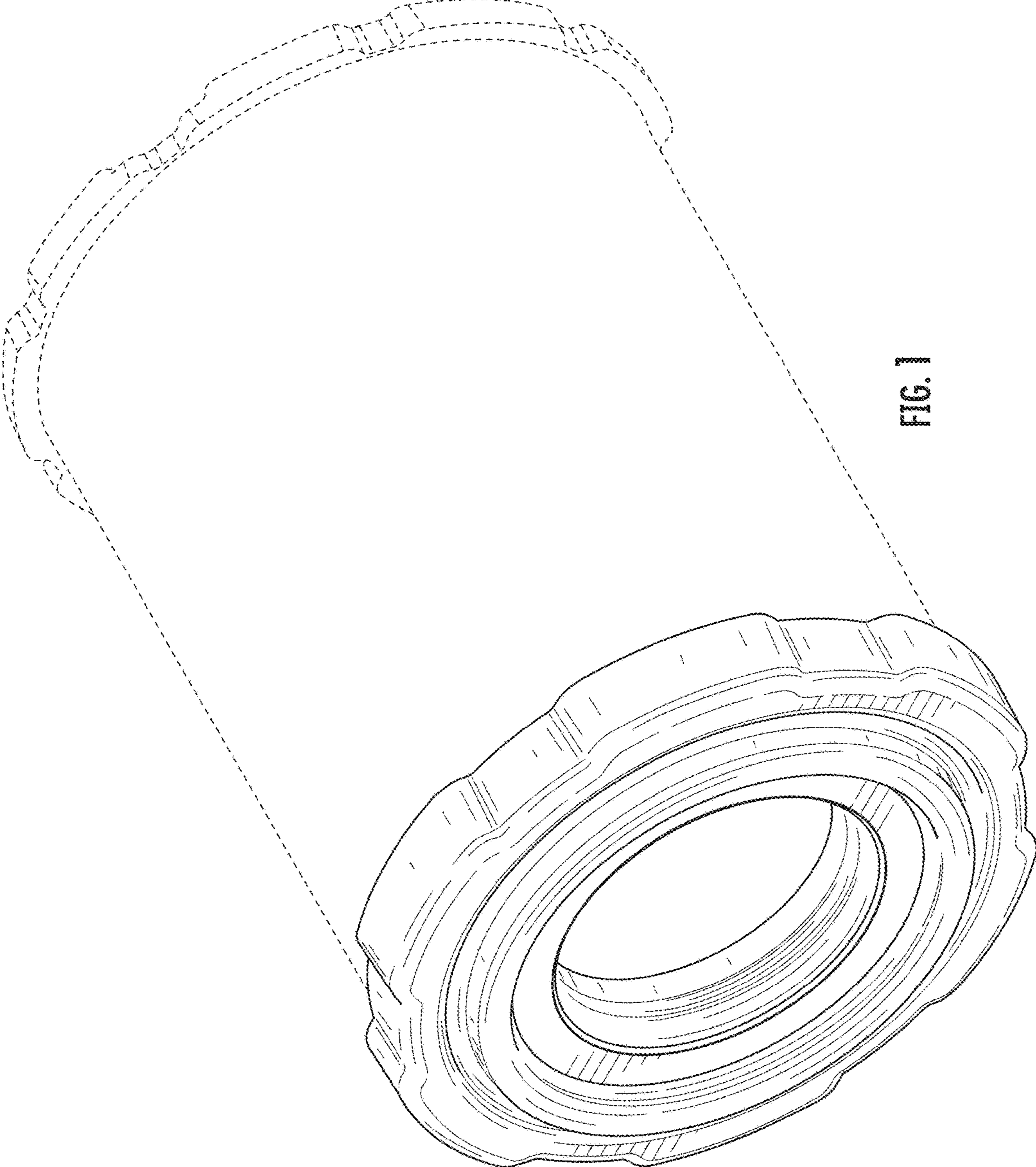


FIG. 1

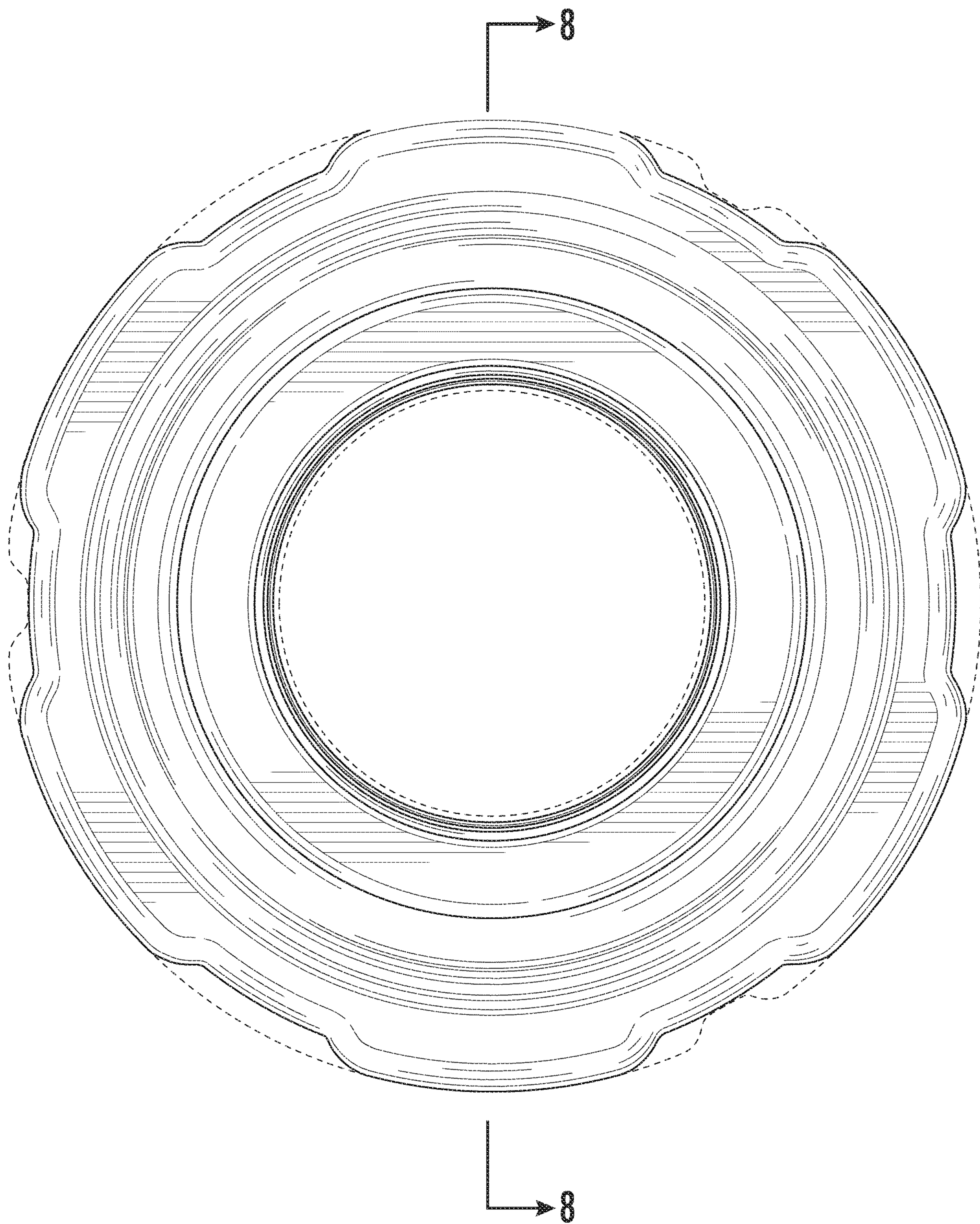


FIG. 2

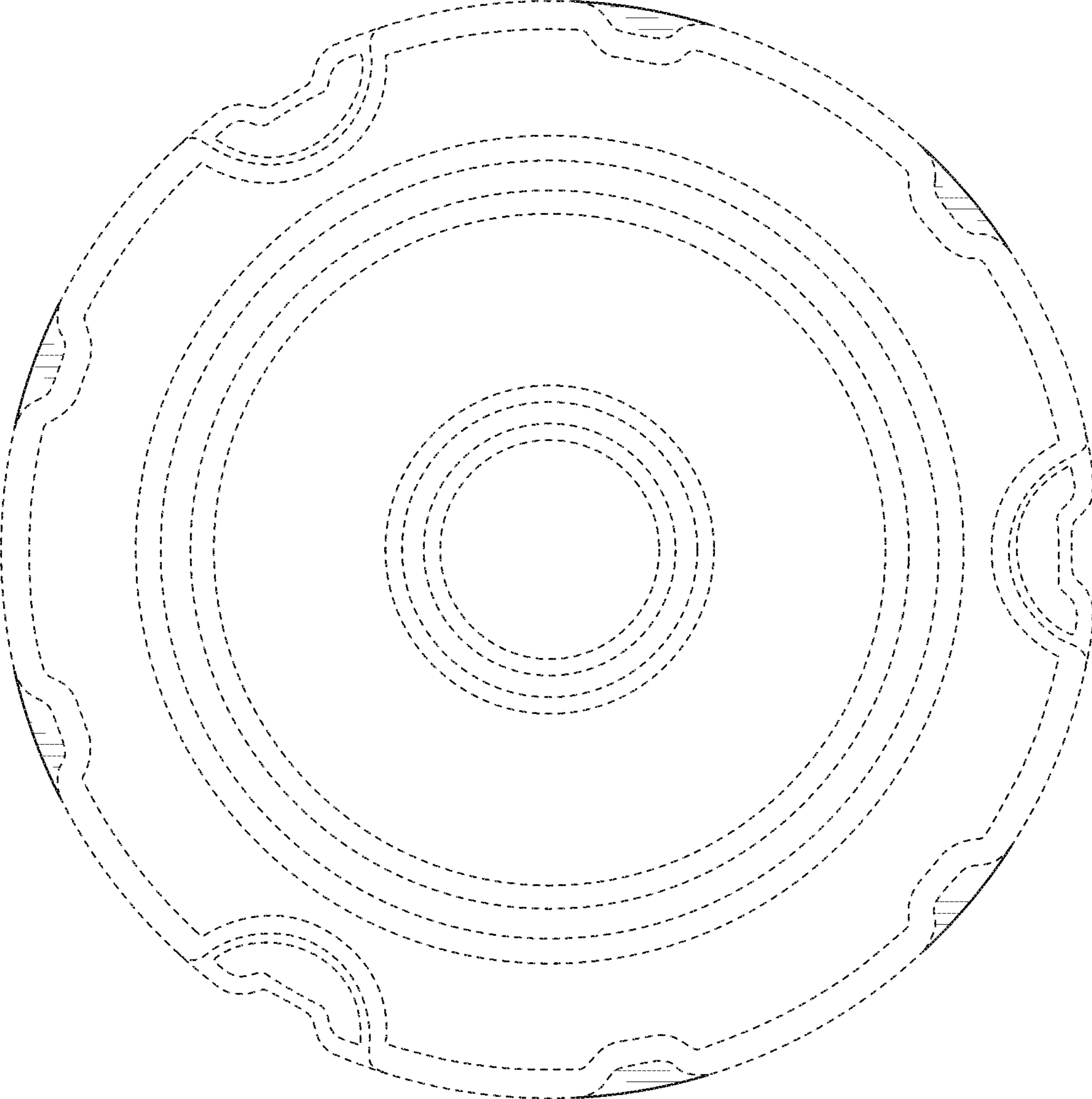


FIG. 3

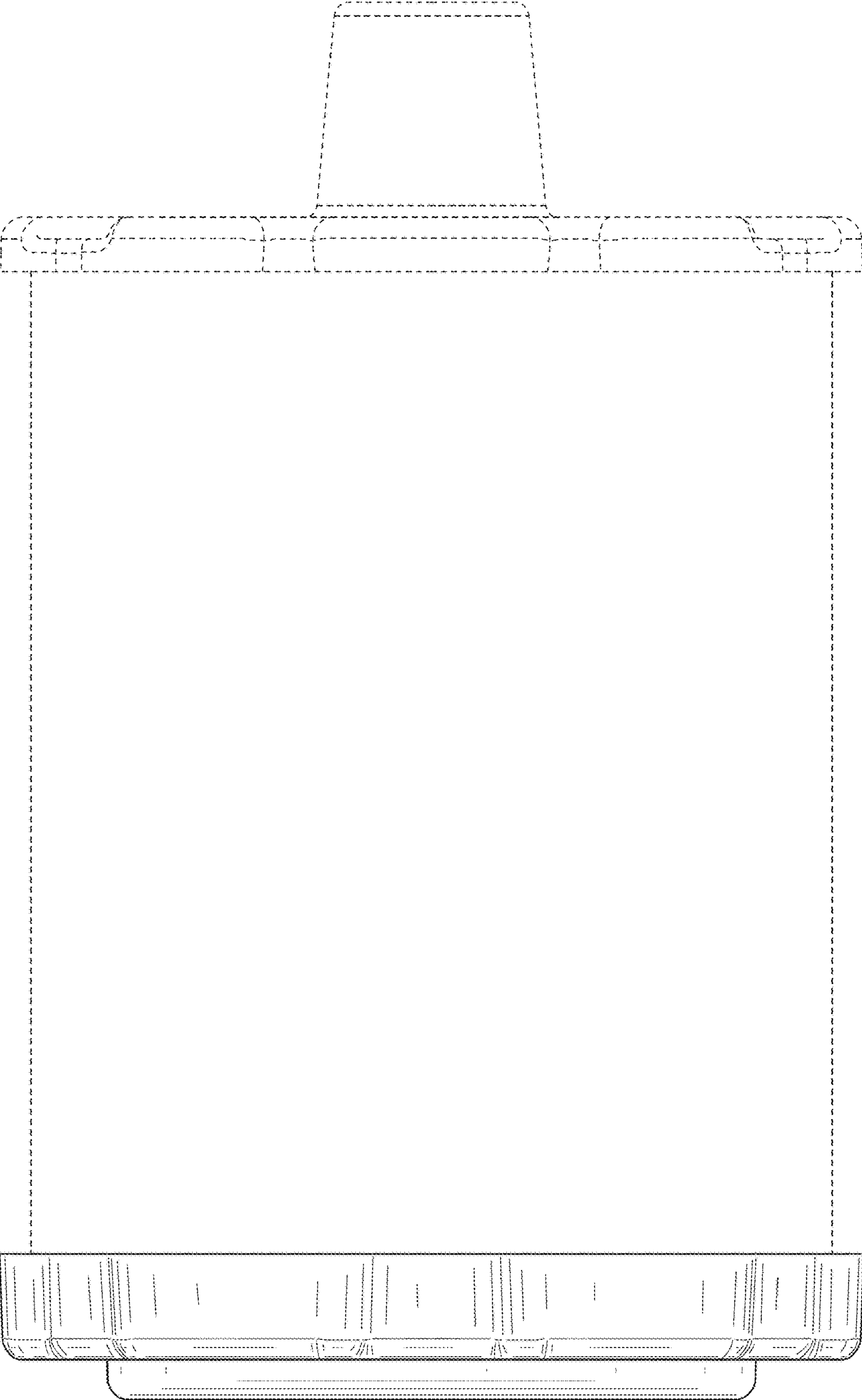


FIG. 4

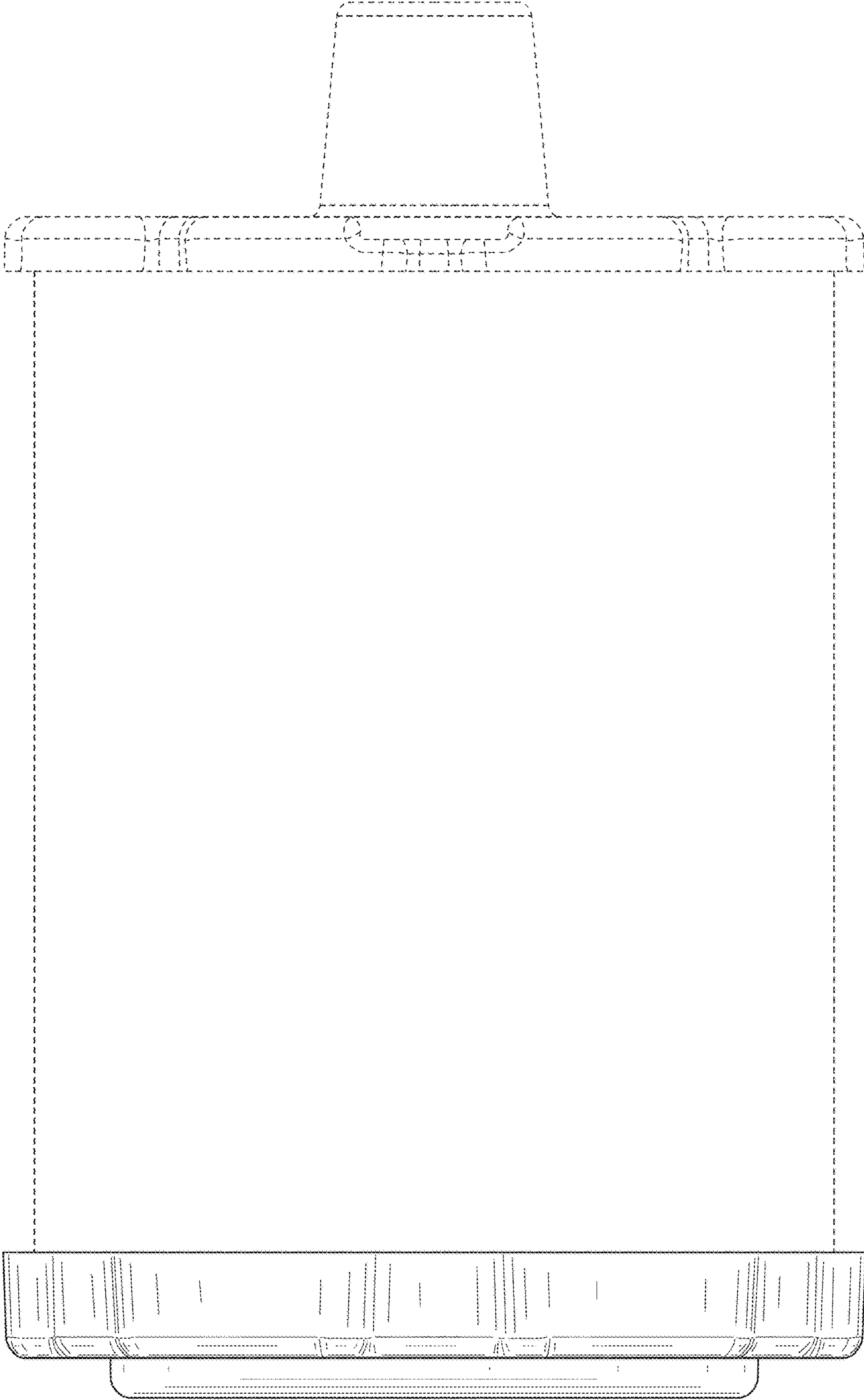


FIG. 5

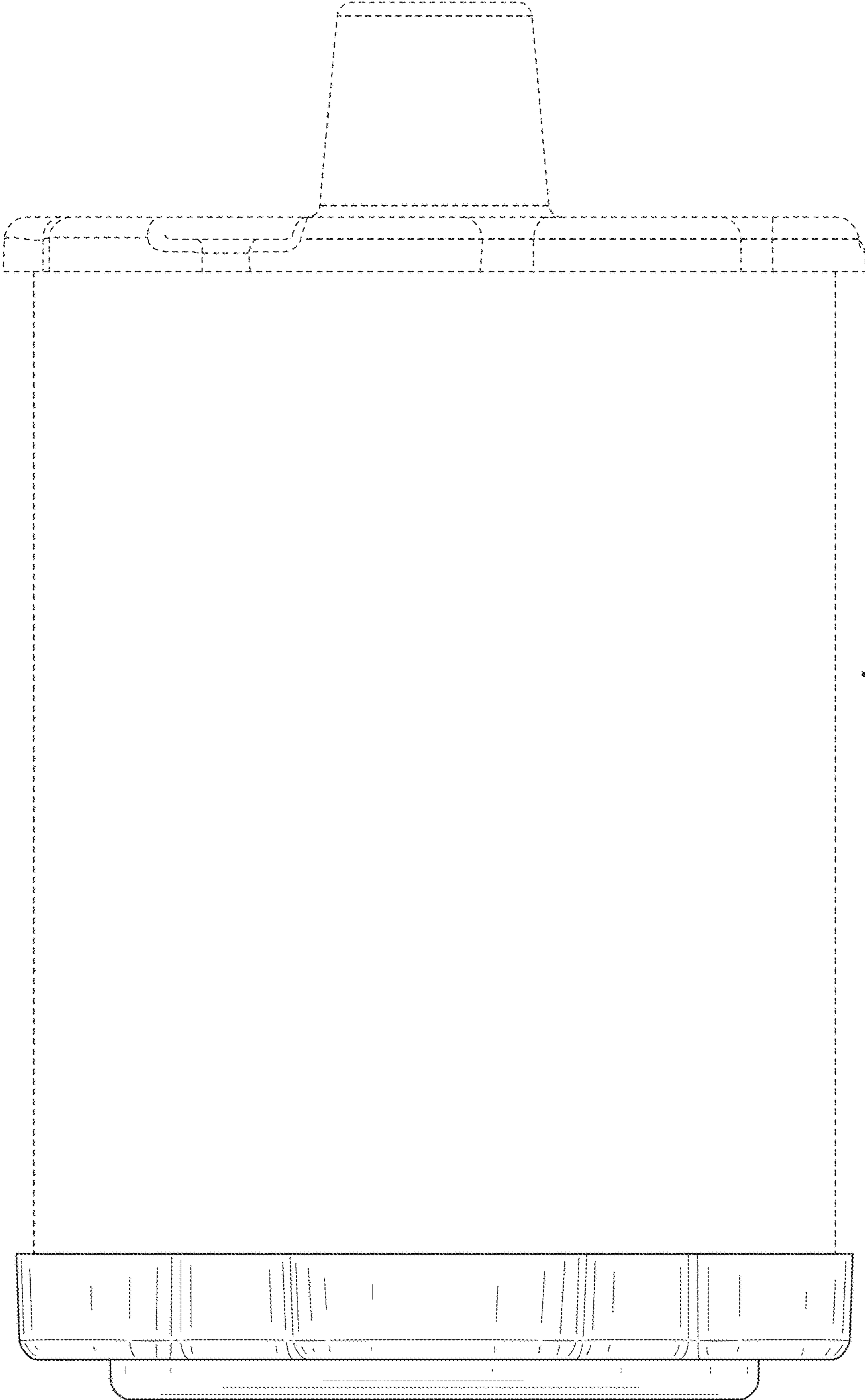


FIG. 6



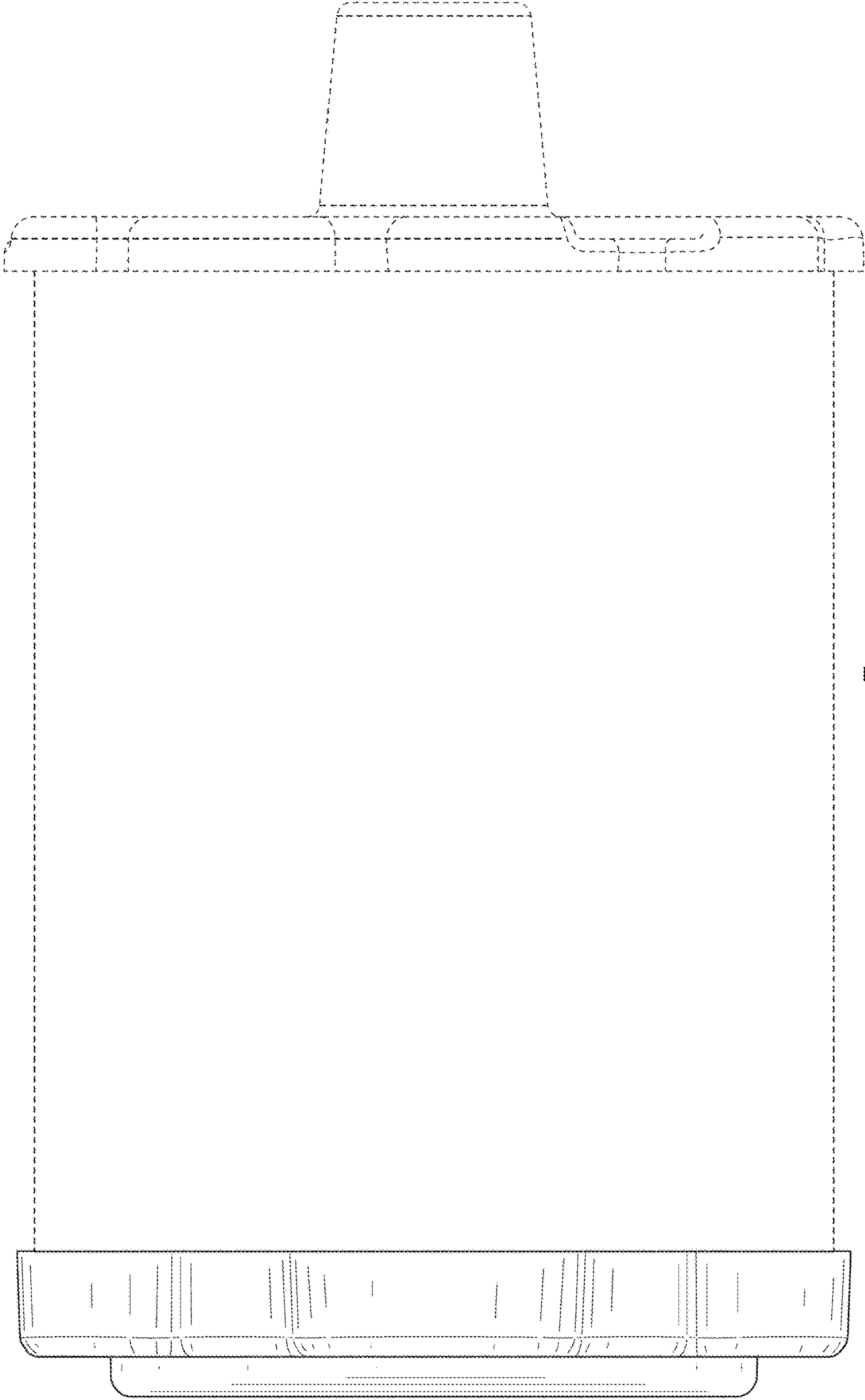


FIG. 7

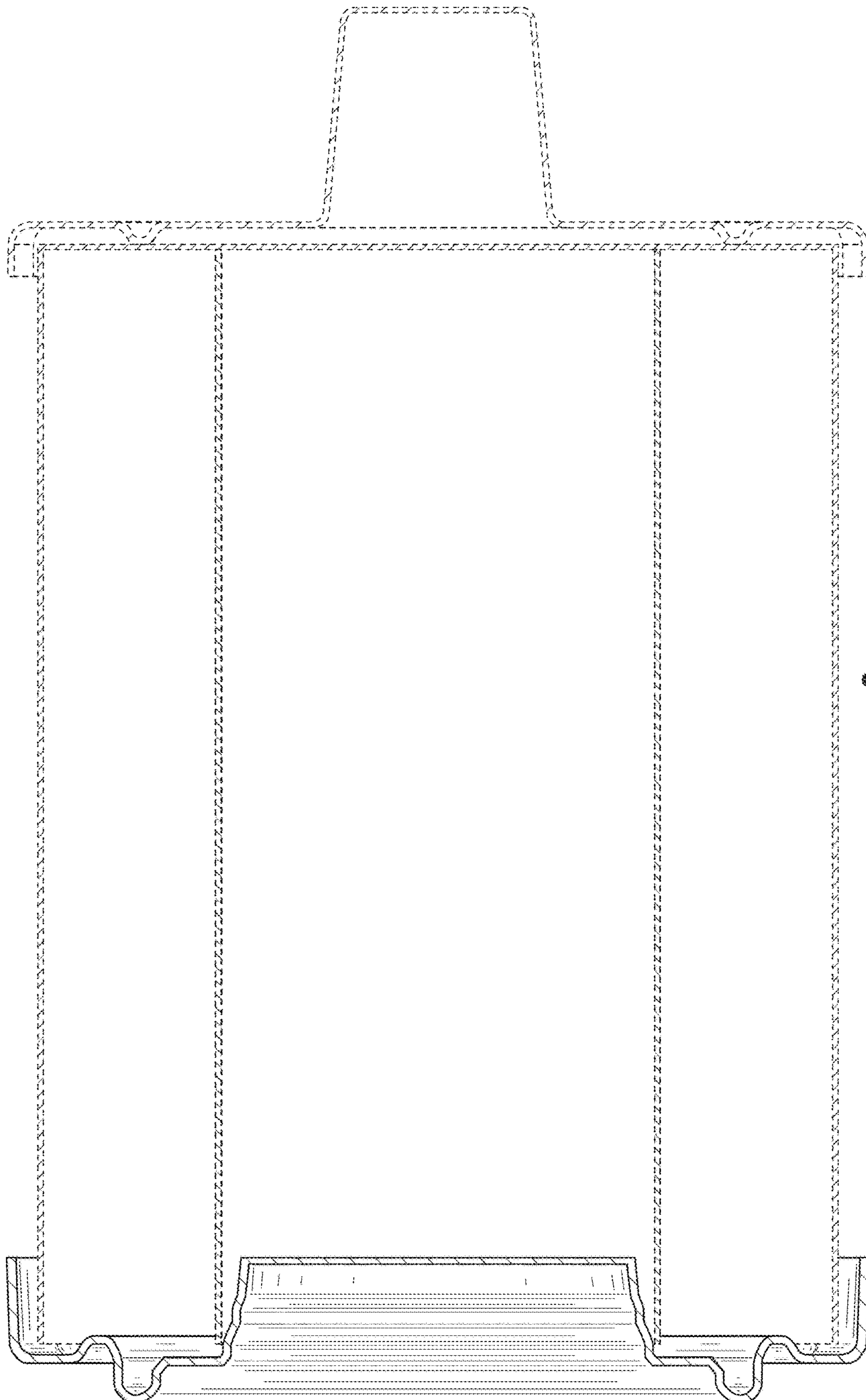


FIG. 8