



US00D896944S

(12) **United States Design Patent**
Hwang

(10) **Patent No.:** **US D896,944 S**

(45) **Date of Patent:** **** Sep. 22, 2020**

(54) **AIR PURIFIER FILTER HOUSING**

(71) Applicant: **Gwo-Tzong Hwang**, Potomac, MD
(US)

(72) Inventor: **Gwo-Tzong Hwang**, Potomac, MD
(US)

(**) Term: **15 Years**

(21) Appl. No.: **29/651,862**

(22) Filed: **May 14, 2019**

(51) **LOC (12) Cl.** **23-04**

(52) **U.S. Cl.**
USPC **D23/365**

(58) **Field of Classification Search**
USPC D23/209, 358, 355, 364, 365, 386-393;
D29/108, 111, 122
CPC F24F 13/0218; F24F 13/06; F24F 13/062;
F24F 2013/0608; F24F 2221/14; B64D
33/02; B64D 2033/0246; F02C 7/05;
A62B 23/02; A62B 23/025; A62B 7/10
See application file for complete search history.

(56) **References Cited**

U.S. PATENT DOCUMENTS

D380,536 S * 7/1997 Ellwood D23/364
D437,027 S * 1/2001 Flagler D23/209

D762,832 S * 8/2016 Gale A62B 18/02
D23/365
D763,425 S * 8/2016 Ko A62B 18/006
D23/365
D831,812 S * 10/2018 Stanhope D23/365
2009/0217926 A1 * 9/2009 Hine A62B 18/02
128/201.25
2018/0236275 A1 * 8/2018 Song A62B 18/006

* cited by examiner

Primary Examiner — Sheryl Lane
Assistant Examiner — Calvin E Vansant

(57) **CLAIM**

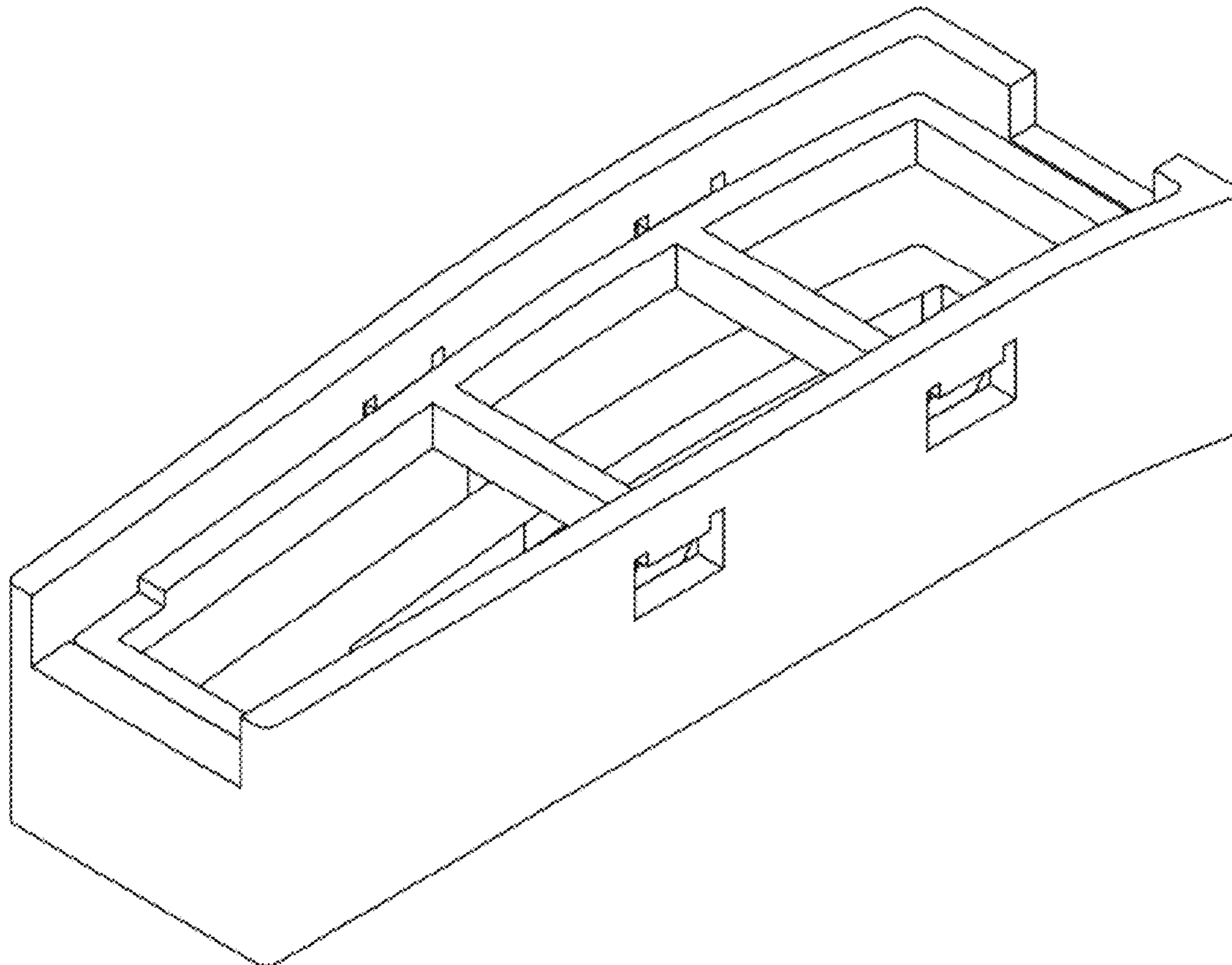
The ornamental design for an air purifier filter housing, as shown and described.

DESCRIPTION

FIG. 1 is a three dimensional elevational views of an air purifier filter housing in accordance with our new design; FIG. 2 is a front elevational view thereof; FIG. 3 is a rear elevational view thereof; FIG. 4 is a left elevational view thereof; FIG. 5 is a right elevational view thereof; FIG. 6 is a top plan view thereof; and, FIG. 7 is a bottom plan view thereof.

The broken lines depict portions of the air purifier filter housing that form no part of the claimed design.

1 Claim, 3 Drawing Sheets



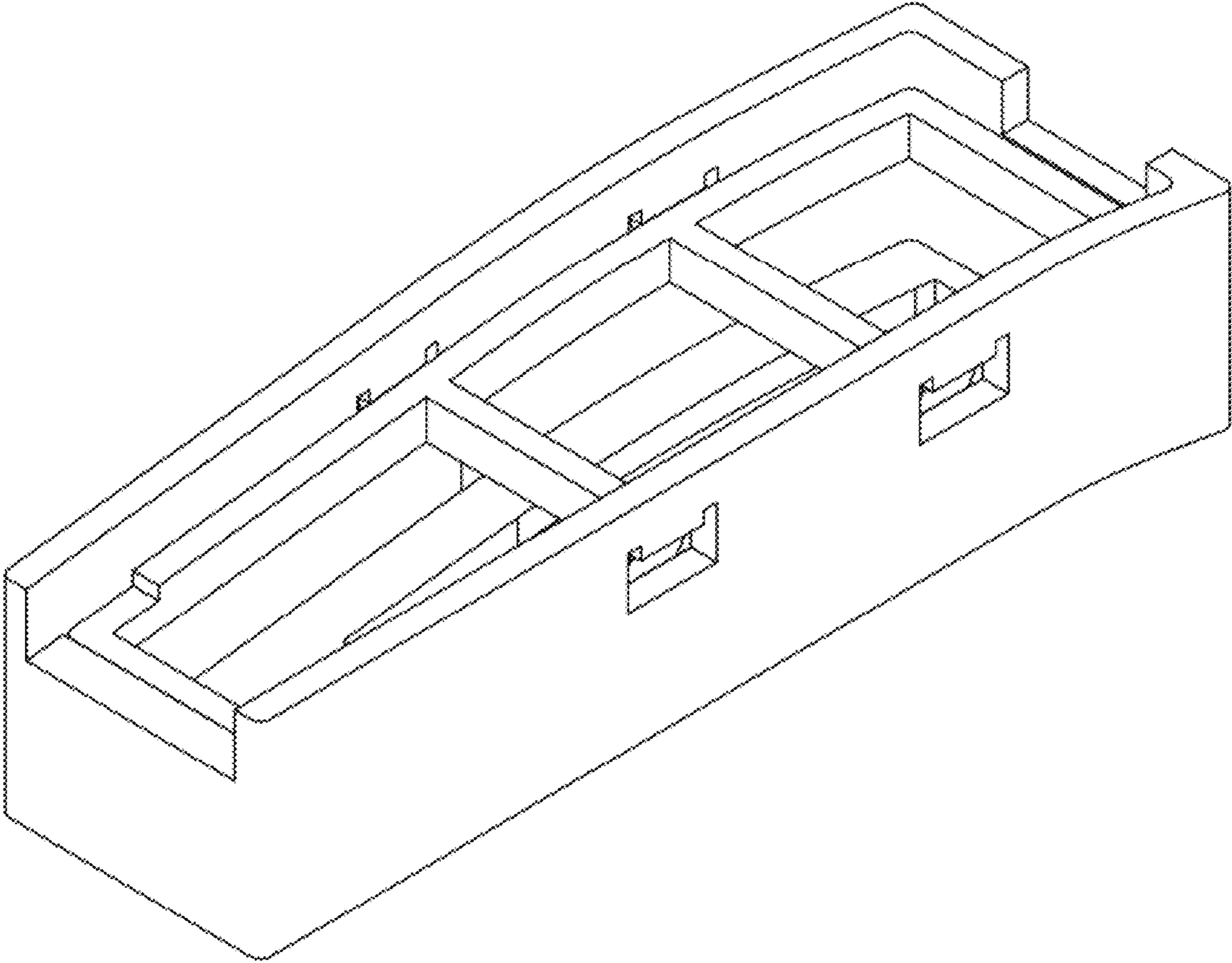


FIG. 1

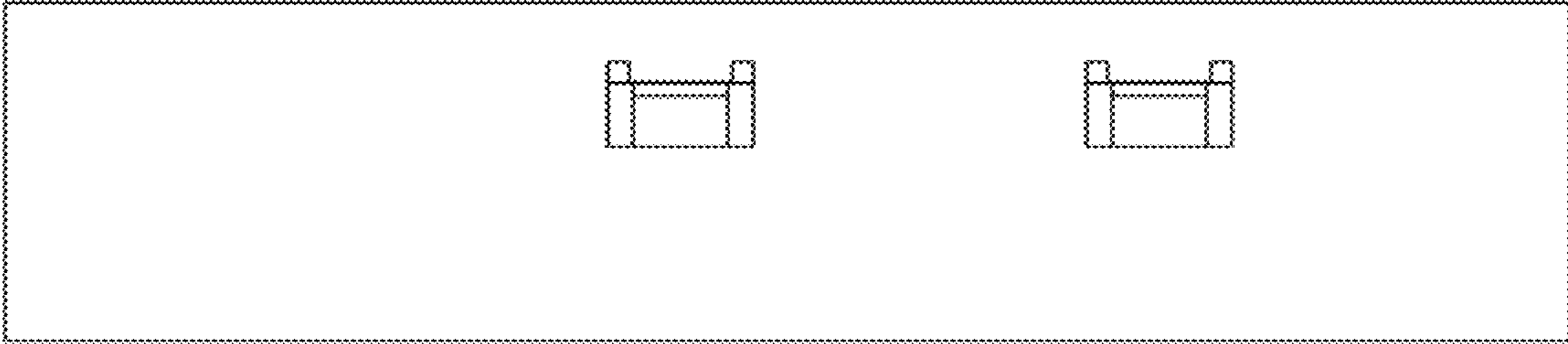


FIG. 2

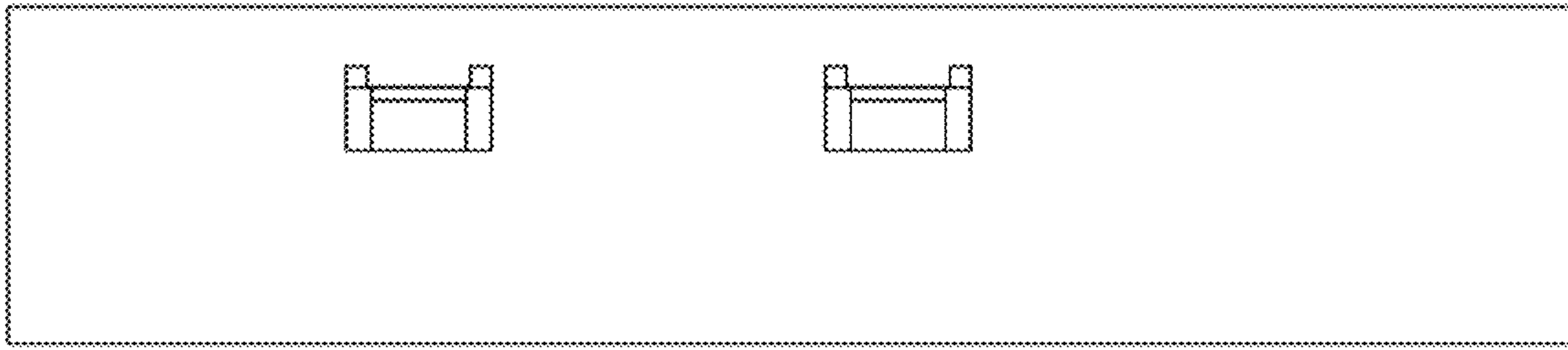


FIG. 3

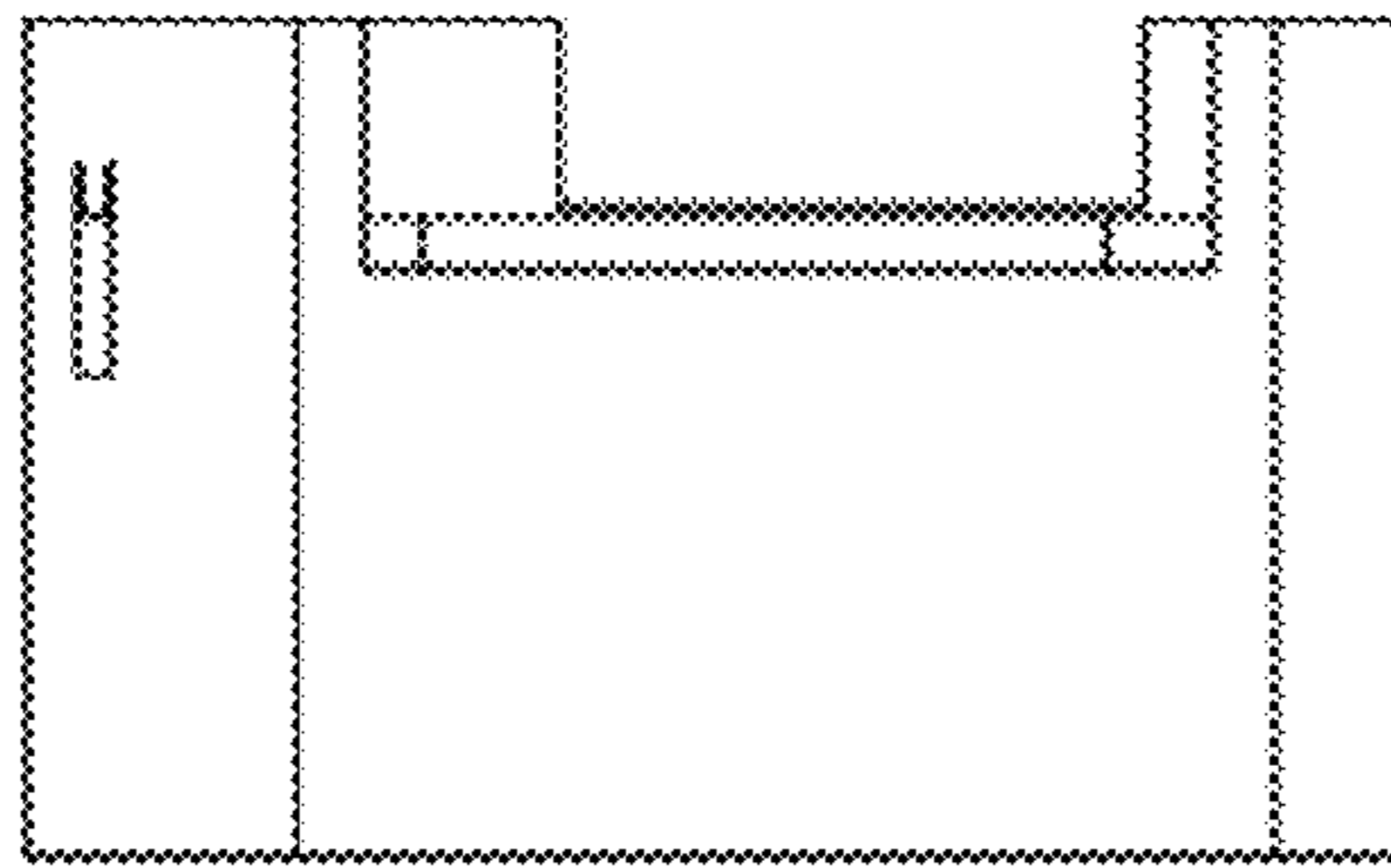


FIG. 4

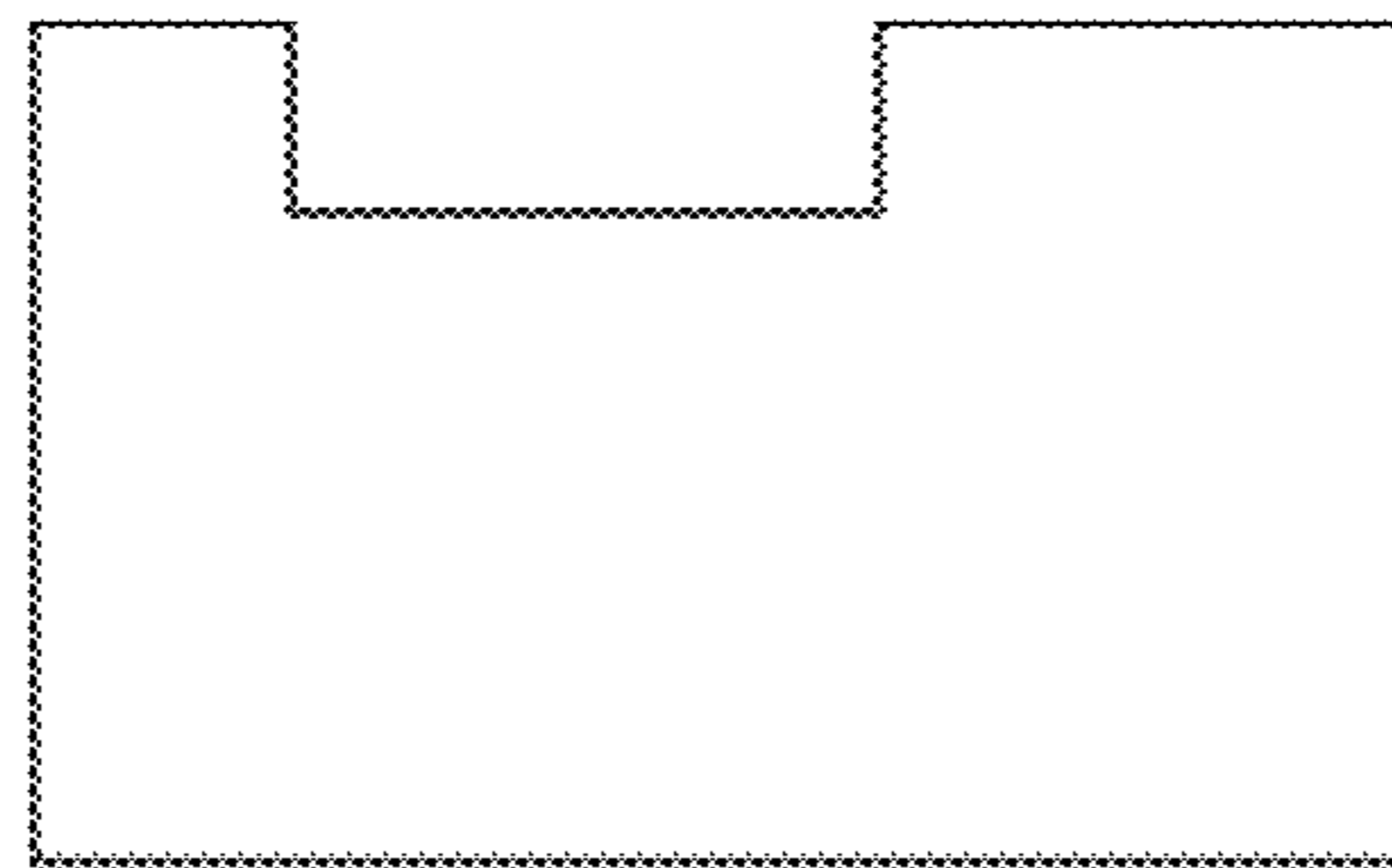


FIG. 5

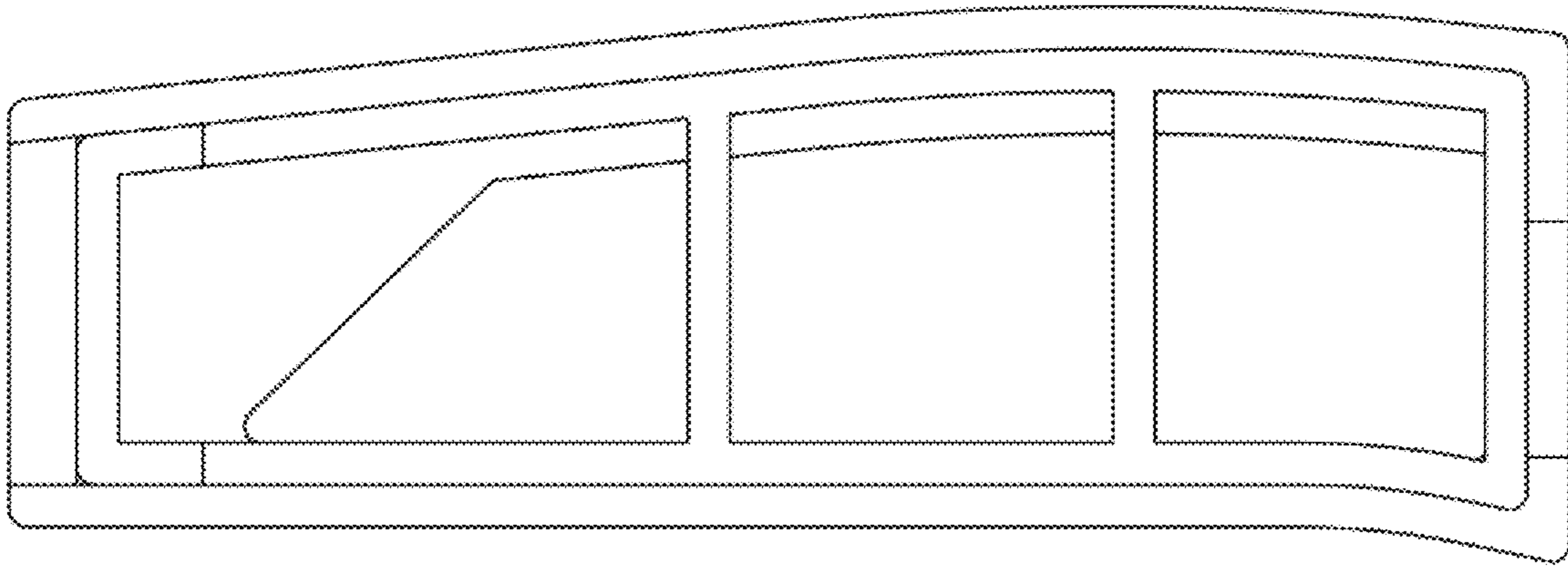


FIG. 6

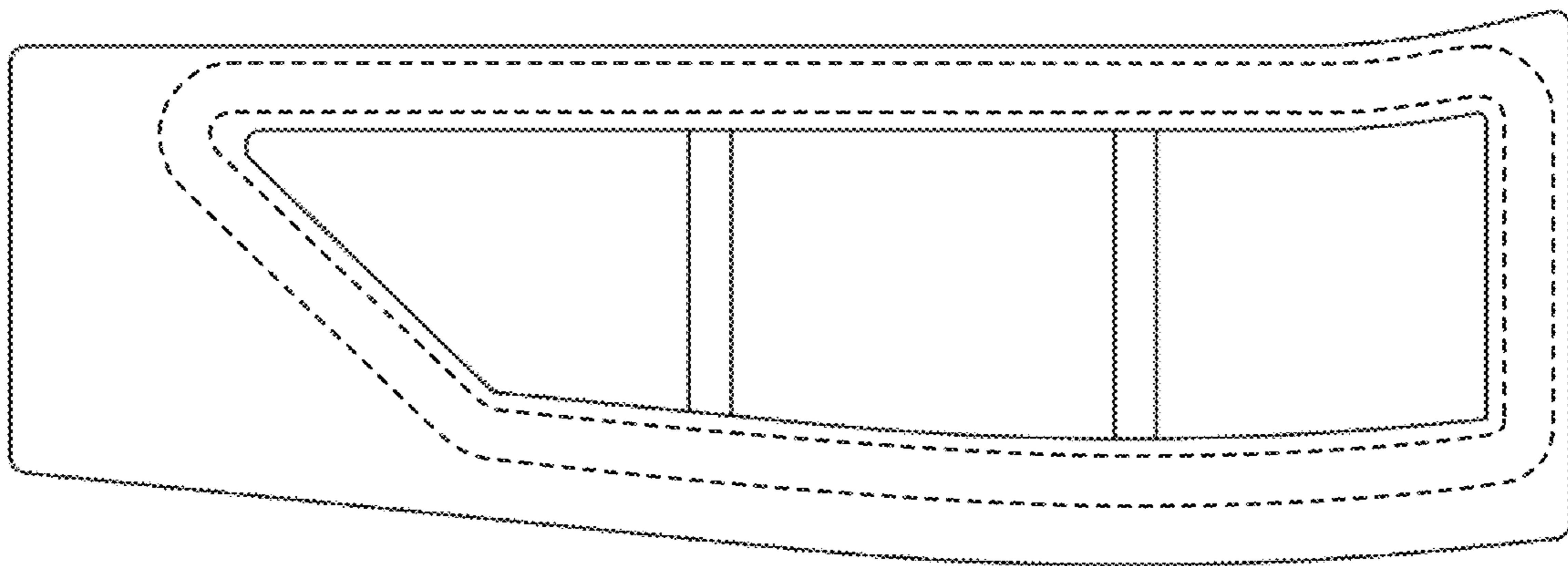


FIG. 7