



US00D896942S

(12) **United States Design Patent**
Raether

(10) **Patent No.:** **US D896,942 S**

(45) **Date of Patent:** **** Sep. 22, 2020**

(54) **FILTER CARTRIDGE ASSEMBLY**

(71) Applicant: **Donaldson Company, Inc.**,
Bloomington, MN (US)

(72) Inventor: **Thomas D. Raether**, St. Louis Park,
MN (US)

(73) Assignee: **Donaldson Company, Inc.**,
Minneapolis, MN (US)

(**) Term: **15 Years**

(21) Appl. No.: **29/583,658**

(22) Filed: **Nov. 8, 2016**

Related U.S. Application Data

(62) Division of application No. 29/482,763, filed on Feb. 21, 2014, now Pat. No. Des. 773,635.

(51) **LOC (12) Cl.** **23-03**

(52) **U.S. Cl.**
USPC **D23/365**

(58) **Field of Classification Search**
USPC D23/209, 341, 354, 358, 363, 364, 365,
D23/386, 387, 388; D9/549, 516
CPC B01D 46/0068; B01D 46/4227; B01D
46/527; B01D 2271/027; B01D 46/0005;
B01D 46/10; B01D 46/2411; B01D
46/521

See application file for complete search history.

(56) **References Cited**

U.S. PATENT DOCUMENTS

2,072,906 A	3/1937	Rosenberger
2,952,332 A	9/1960	Metro
3,131,044 A	4/1964	Springer
3,327,458 A	6/1967	Auckland
3,421,295 A	1/1969	Swift et al.
3,475,884 A	11/1969	Kulzer

3,524,304 A	8/1970	Wittemeier et al.
3,830,042 A	8/1974	MacDonnell
3,891,418 A	6/1975	Burger et al.
4,072,484 A	2/1978	Carre
4,187,091 A	2/1980	Durre et al.
4,343,632 A	8/1982	Margraf
4,345,924 A	8/1982	Margraf
4,395,269 A	7/1983	Schuler
4,415,343 A	11/1983	Margraf
4,496,377 A	1/1985	Margraf
4,504,293 A	3/1985	Gillingham et al.
D283,621 S	4/1986	Gauer et al.
4,661,131 A	4/1987	Howeth
4,746,339 A	5/1988	Millard

(Continued)

Primary Examiner — Steven J Czyz

(74) *Attorney, Agent, or Firm* — Mueting Raasch Group

(57) **CLAIM**

The ornamental design for a filter cartridge assembly, as shown and described.

DESCRIPTION

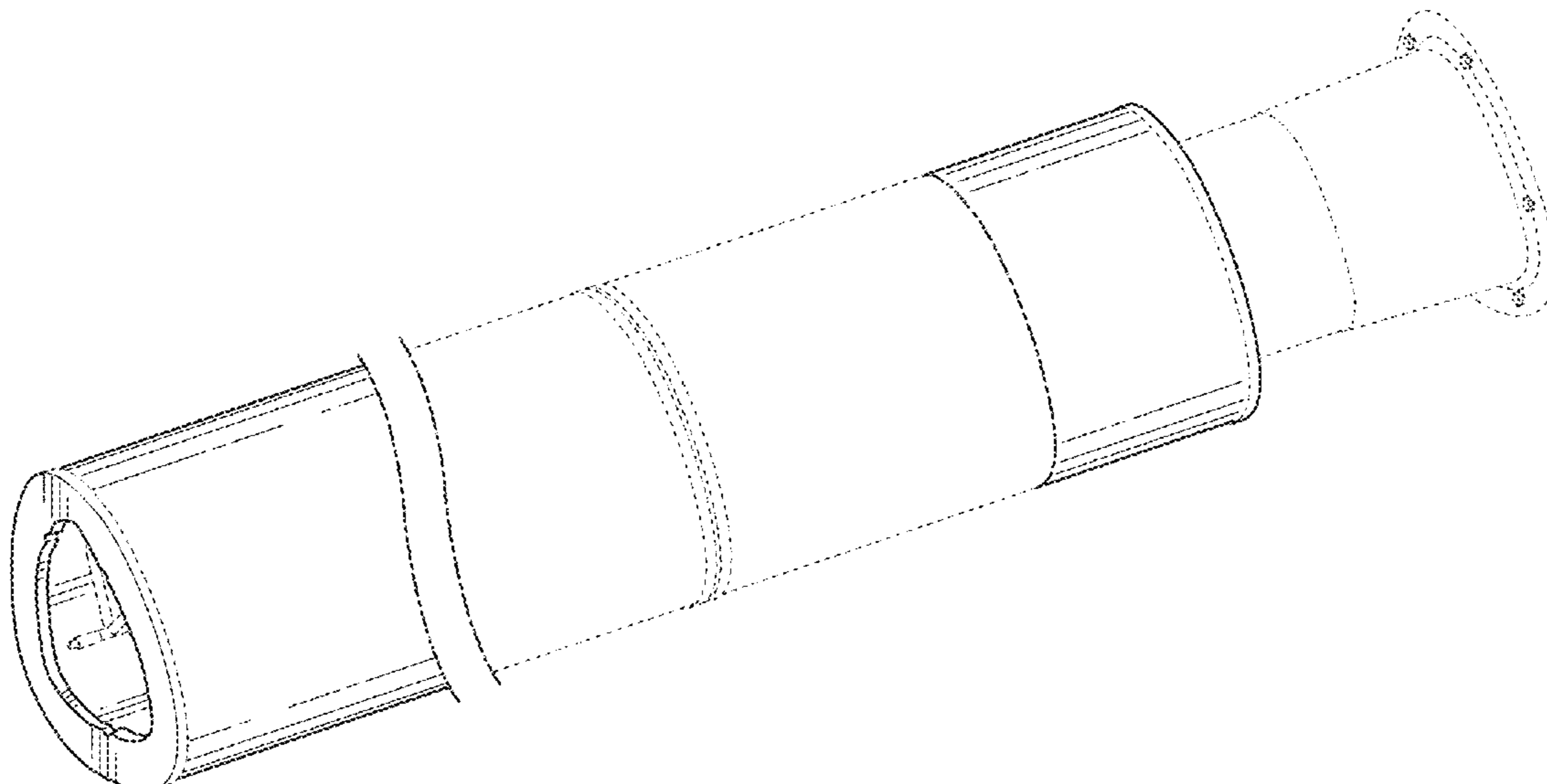
FIG. 1 is a perspective view of a filter cartridge assembly; FIG. 2 is a left side elevation view thereof; FIG. 3 is a right side elevation view thereof; FIG. 4 is a top plan view thereof; FIG. 5 is a bottom plan view thereof; FIG. 6 is a front end elevation view thereof; and, FIG. 7 is a rear end elevation view thereof.

The broken lines depict portions of the article that form no part of the claimed design.

The dot dash lines are included for the purpose of illustrating a portion of the article that does not form a part of the claimed design.

The filter cartridge assembly is depicted with a symbolic break in its length. The appearance of any portion of the article between the break lines forms no part of the claimed design.

1 Claim, 4 Drawing Sheets



(56)

References Cited

U.S. PATENT DOCUMENTS

4,968,424 A 11/1990 Plaisier
 5,062,867 A 11/1991 Klimczak
 5,074,896 A 12/1991 Baert et al.
 5,173,098 A 12/1992 Pipkorn
 5,238,474 A 8/1993 Kahlbaugh et al.
 D356,863 S * 3/1995 Skaarstad D23/365
 5,562,746 A 10/1996 Raether
 5,730,766 A 3/1998 Clements
 D417,268 S * 11/1999 Gillingham D23/365
 D421,649 S 3/2000 Cappuyns
 D424,378 S * 5/2000 Bacon D7/602
 D436,159 S * 1/2001 Gutmann D23/364
 D438,214 S 2/2001 Gieseke et al.
 6,233,790 B1 * 5/2001 Carothers B01D 29/21
 24/16 PB
 6,364,921 B1 4/2002 Raether et al.
 6,368,388 B1 * 4/2002 Kosmider B01D 46/0004
 55/490
 6,387,162 B1 * 5/2002 Kosmider B01D 46/0013
 55/484
 6,485,544 B1 11/2002 Ziske
 D471,623 S * 3/2003 Gieseke D23/365

D499,177 S * 11/2004 Kosmider D23/365
 D533,265 S * 12/2006 Fiello D23/365
 7,413,588 B2 * 8/2008 Holzmann B01D 46/0005
 210/282
 D586,454 S * 2/2009 Nishio D23/393
 7,866,128 B2 * 1/2011 Buisson B65B 5/064
 53/247
 D647,568 S * 10/2011 Yuan D19/90
 D651,248 S * 12/2011 Yuan D19/85
 8,317,890 B2 * 11/2012 Raether B01D 46/103
 55/498
 D685,233 S * 7/2013 Wong D7/629
 D685,874 S * 7/2013 Andrews, Jr. D22/108
 D742,257 S * 11/2015 Thompson D10/46.2
 D773,635 S * 12/2016 Raether D23/365
 D781,409 S * 3/2017 Raether D23/386
 D793,857 S * 8/2017 Rice D9/425
 D800,894 S * 10/2017 Raether D23/386
 D805,901 S * 12/2017 Fuchs D9/499
 D812,429 S * 3/2018 McLaughlin D7/523
 D825,029 S * 8/2018 Goldman D23/209
 D827,770 S * 9/2018 Brill D23/209
 2014/0260142 A1 * 9/2014 Raether B01D 46/2414
 55/498

* cited by examiner

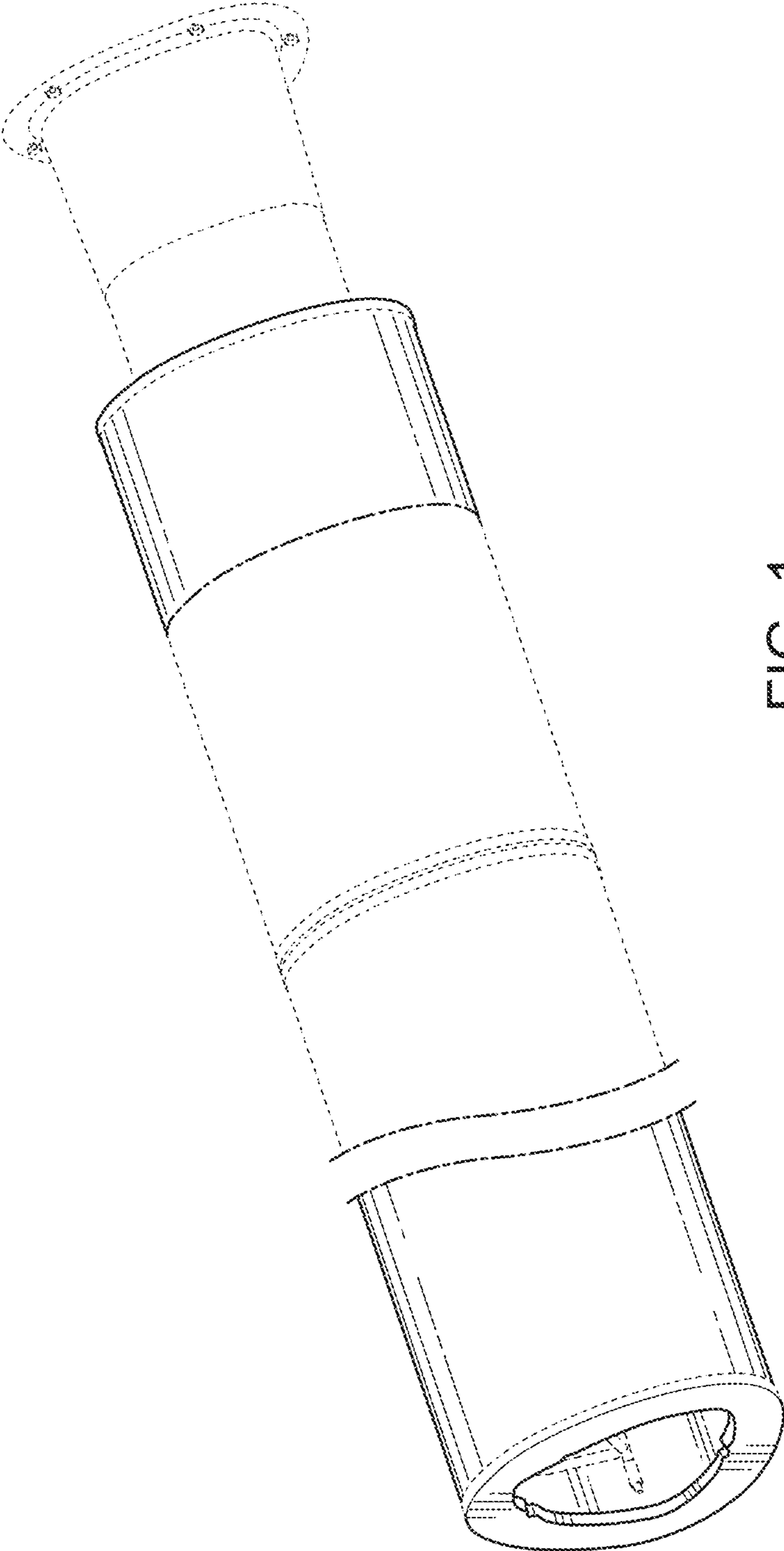


FIG. 1

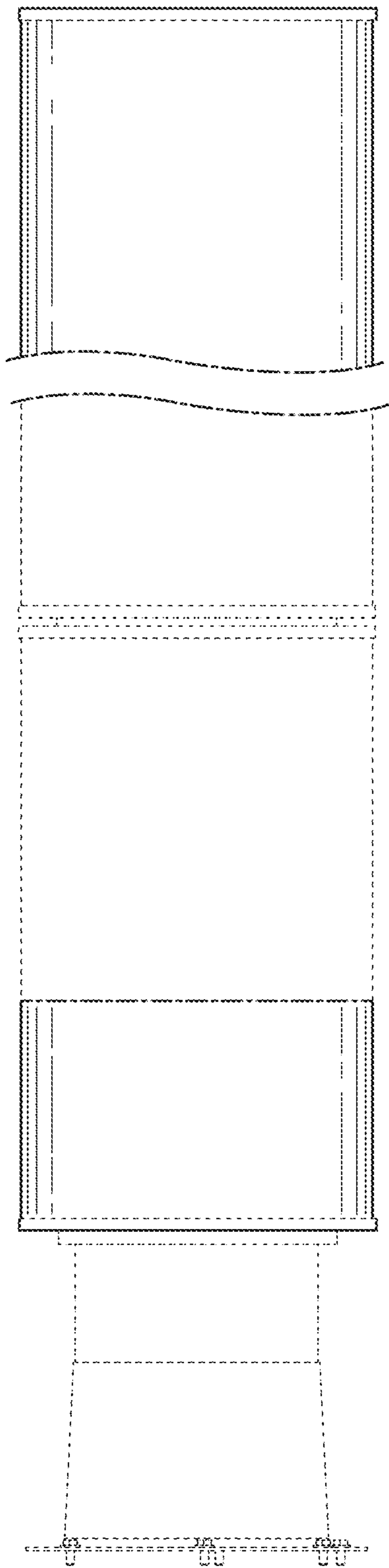


FIG. 2

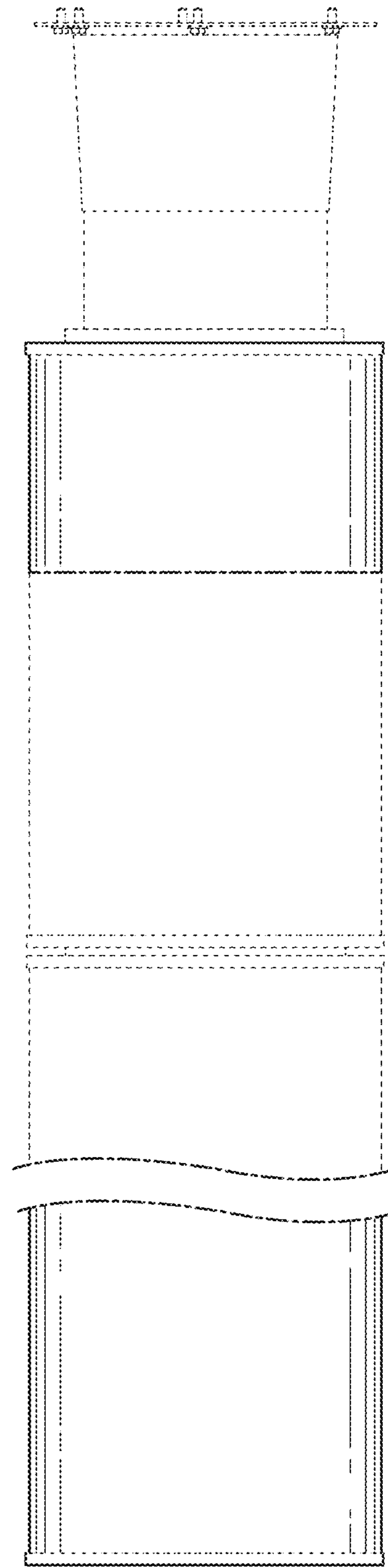


FIG. 3

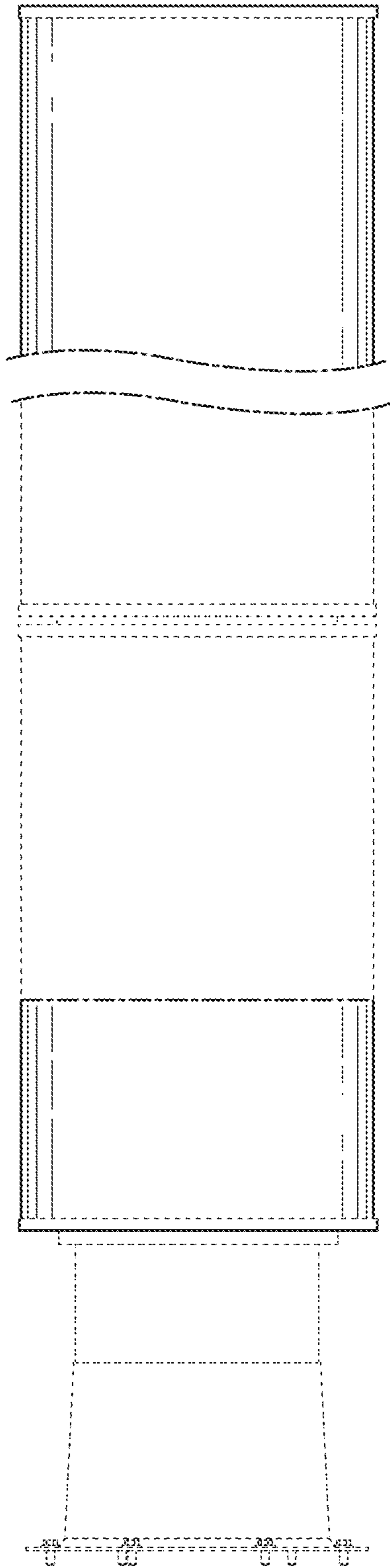


FIG. 4

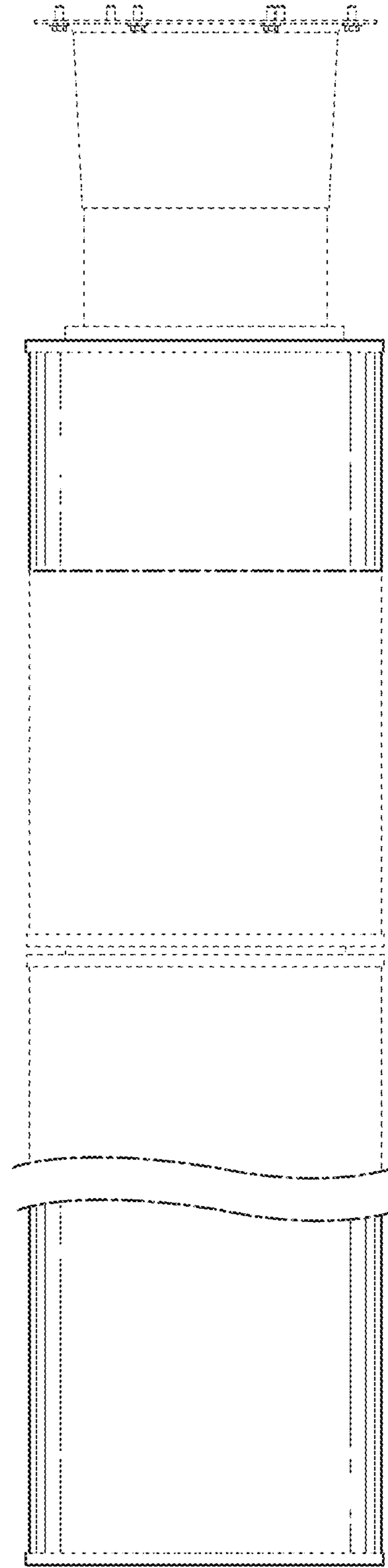


FIG. 5

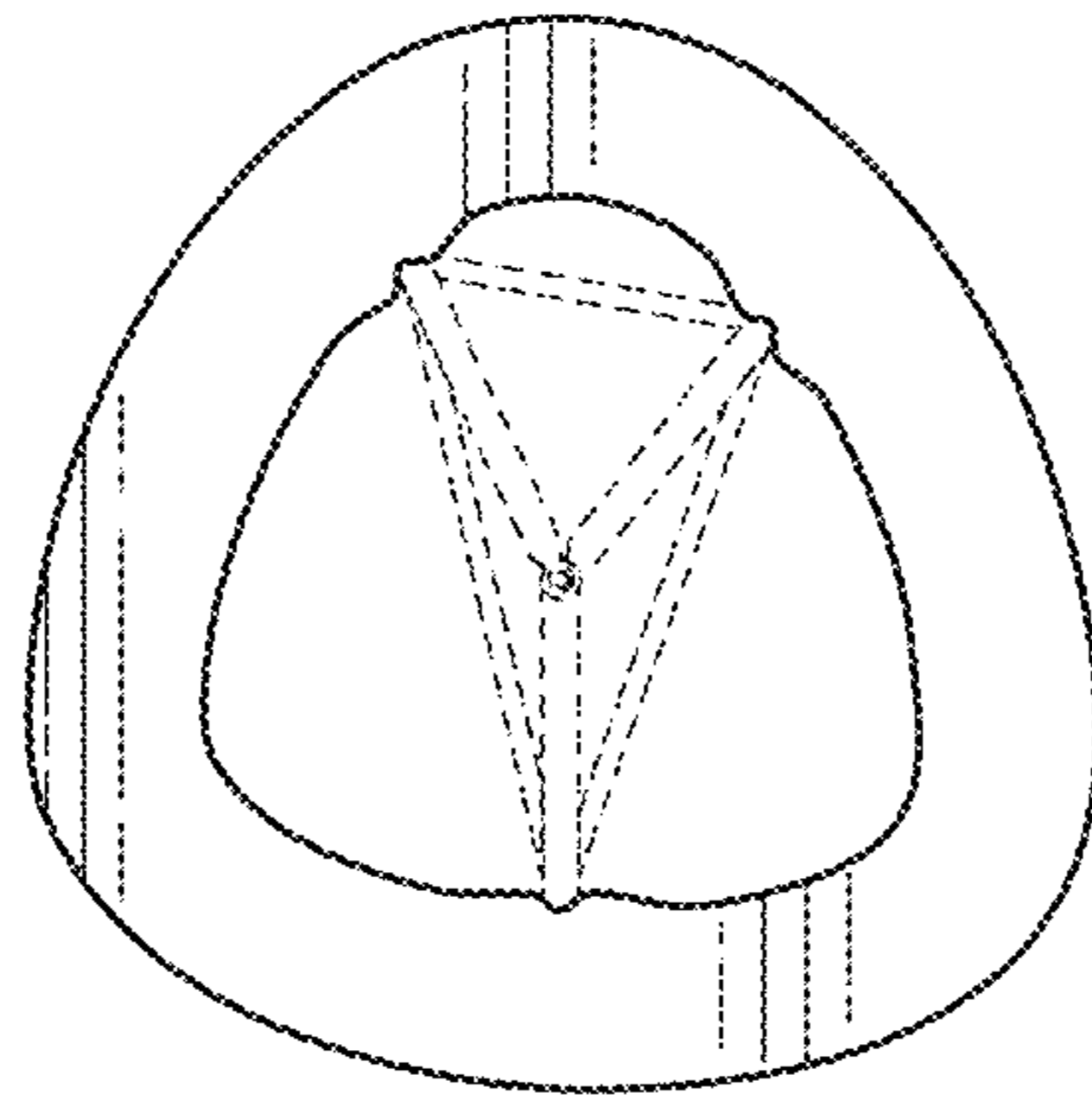


FIG. 6

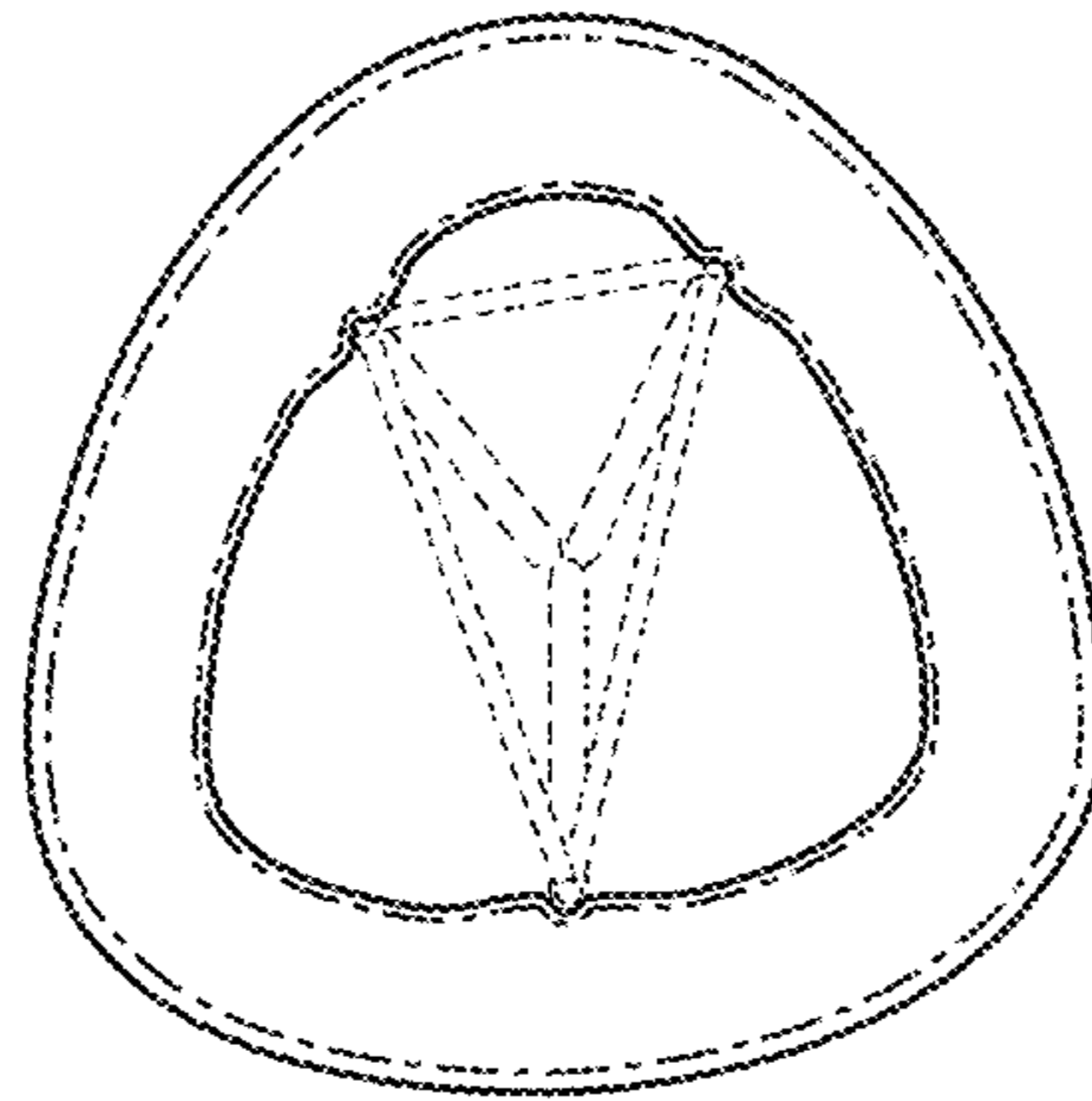


FIG. 7