



US00D896941S

(12) **United States Design Patent**
Thuppale

(10) **Patent No.:** **US D896,941 S**

(45) **Date of Patent:** **** Sep. 22, 2020**

- (54) **MULTI-VORTEX TORNADO AIR CIRCULATOR**
- (71) Applicant: **Singapore Innovations Pte Ltd**,
Singapore (SG)
- (72) Inventor: **Mohan Dass Ettanoor Thuppale**,
Singapore (SG)
- (73) Assignee: **SINGAPORE INNOVATIONS PTE LTD**,
Singapore (SG)
- (**) Term: **15 Years**
- (21) Appl. No.: **29/633,058**
- (22) Filed: **Jan. 11, 2018**
- (30) **Foreign Application Priority Data**

4,561,416 A * 12/1985 Loechner F24C 15/322
126/21 A
5,337,654 A * 8/1994 Broberg F24C 15/322
126/21 A
6,709,495 B1 * 3/2004 Storer A47L 9/122
15/347
7,108,731 B2 * 9/2006 Park A47L 7/04
55/356
D530,807 S * 10/2006 Miyagishima D23/365
D550,345 S * 9/2007 Weggelaar D23/366
8,870,165 B2 * 10/2014 Scolari A61L 9/122
239/58
D717,395 S * 11/2014 Neto D23/209
D718,852 S * 12/2014 Wangen D23/364
D740,927 S * 10/2015 Williams D23/365
D874,627 S * 2/2020 Nykowski D23/364

* cited by examiner

Primary Examiner — David G Muller

(74) *Attorney, Agent, or Firm* — Leong C. Lei

- Nov. 8, 2017 (SG) 30201704584
- (51) **LOC (12) Cl.** **23-04**
- (52) **U.S. Cl.**
USPC **D23/355**
- (58) **Field of Classification Search**
USPC D23/355–366, 352, 369, 332, 333, 335,
D23/336, 342, 351; 422/120, 122;
55/356, 473, 504; 96/97; 261/DIG. 17,
261/DIG. 65, DIG. 88, DIG. 31; D12/325
CPC .. A61L 9/16; A61L 9/22; B01D 47/00; B01D
47/027; B01D 2221/02; B01D 2259/4508;
B03C 3/155; B03C 3/368; F24F 3/16;
F24F 13/20; F24F 13/28; F24F
2001/0096
See application file for complete search history.

(57) **CLAIM**

The ornamental design for a multi-vortex tornado air circulator, as shown and described.

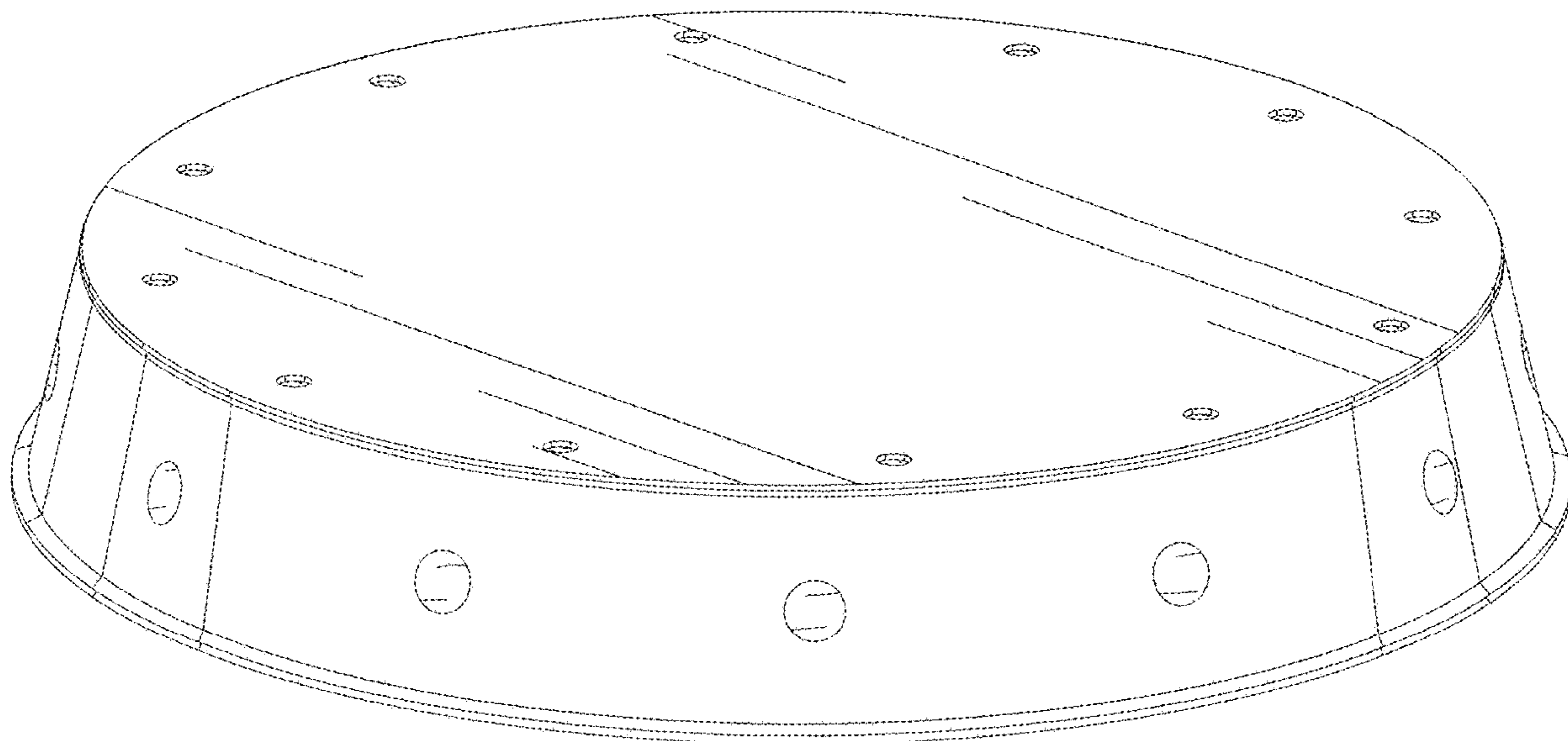
DESCRIPTION

FIG. 1 is a top isometric view of my multi-vortex tornado air circulator;
 FIG. 2 is a top plan view thereof;
 FIG. 3 is a bottom plan view thereof;
 FIG. 4 is a side elevation view thereof;
 FIG. 5 is an enlarged view of Detail 5 shown in FIG. 4;
 FIG. 6 is a bottom perspective view of the multi-vortex tornado air circulator;
 FIG. 7 is an enlarged view of Detail 7 shown in FIG. 6;
 FIG. 8 is another bottom perspective view of the multi-vortex tornado air circulator; and,
 FIG. 9 is an enlarged view of Detail 9 shown in FIG. 8.

(56) **References Cited**
U.S. PATENT DOCUMENTS

D269,114 S * 5/1983 Rusth D23/377
 4,466,422 A * 8/1984 Lahiri F24F 6/02
 126/313

1 Claim, 9 Drawing Sheets



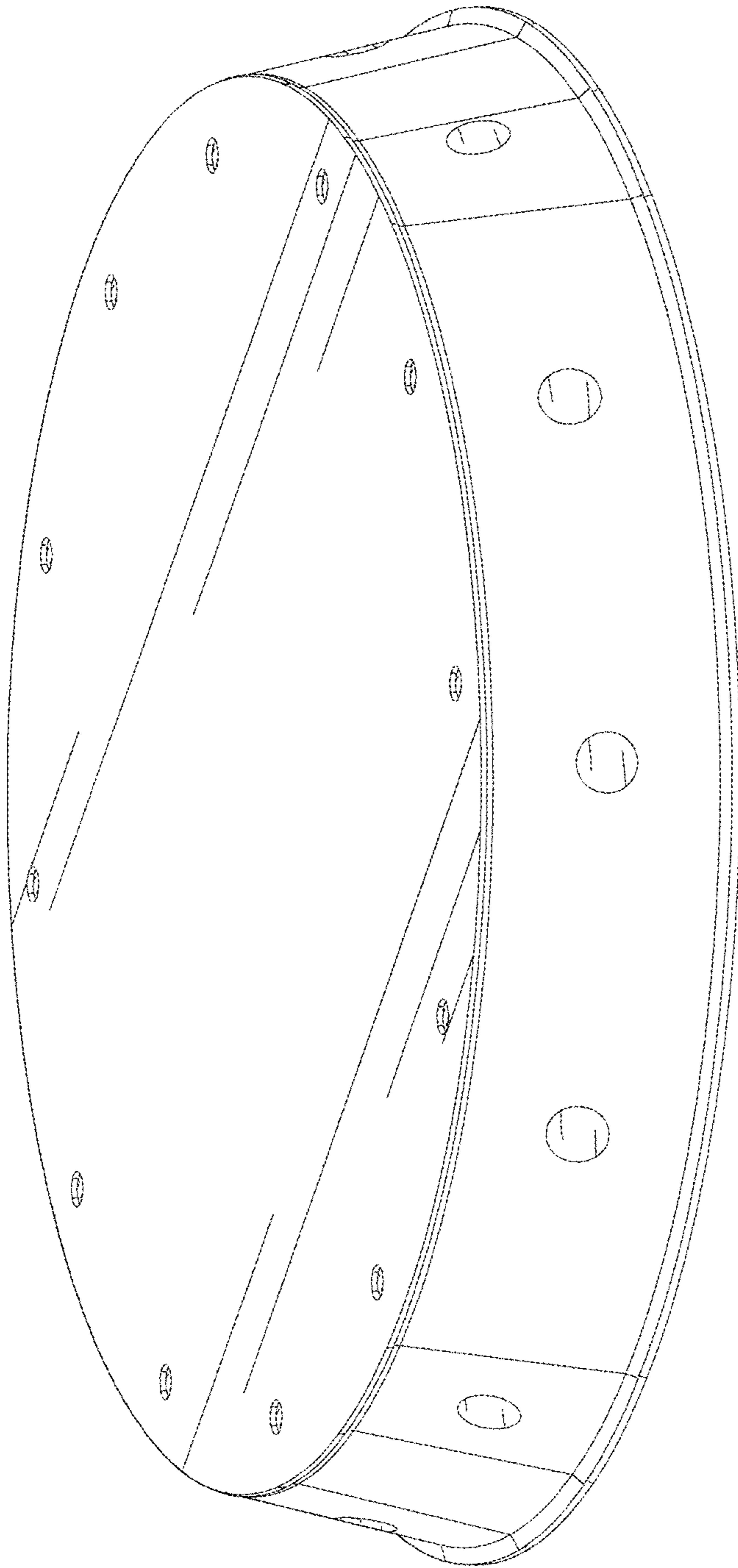


FIG. 1

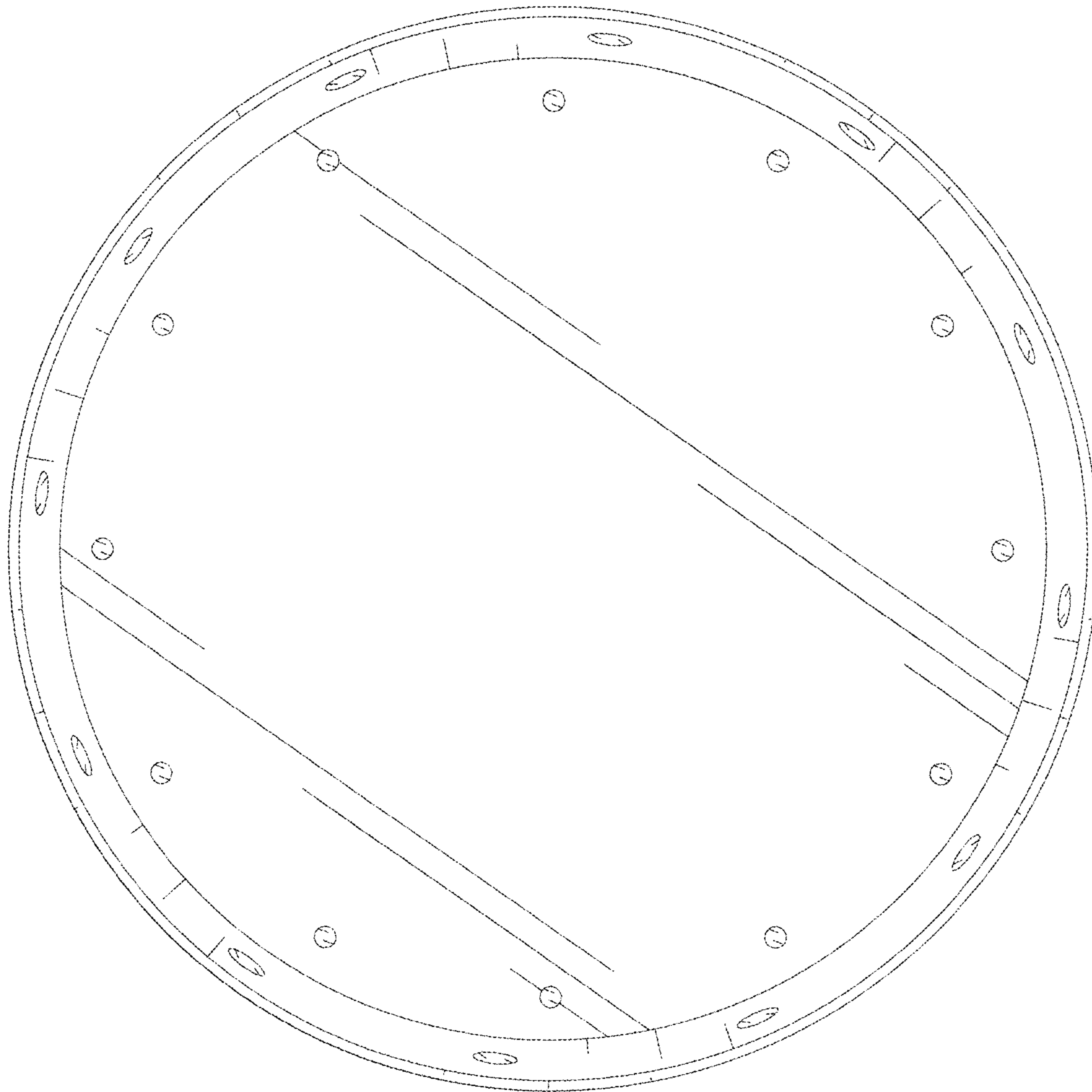


FIG. 2

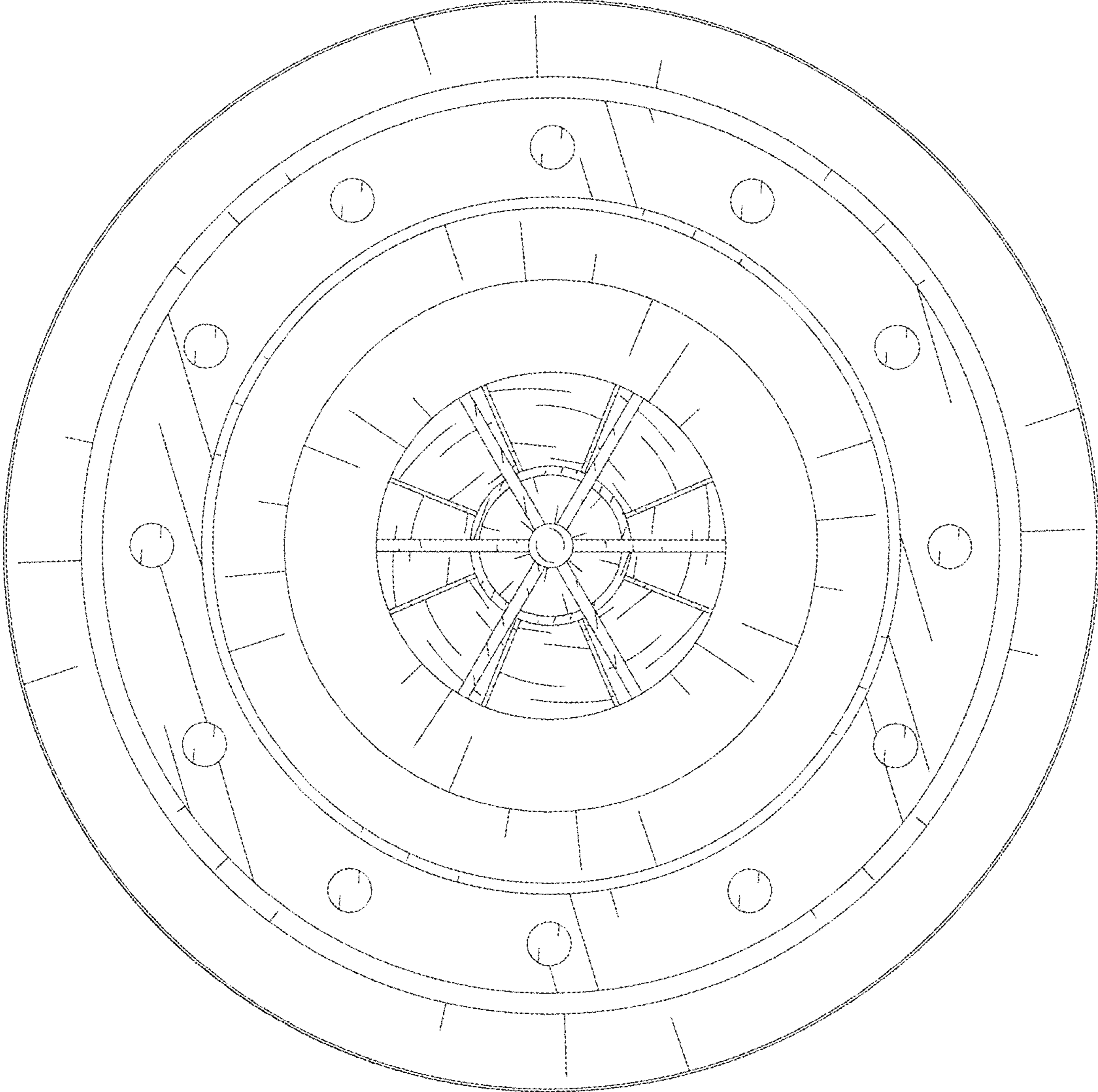


FIG. 3

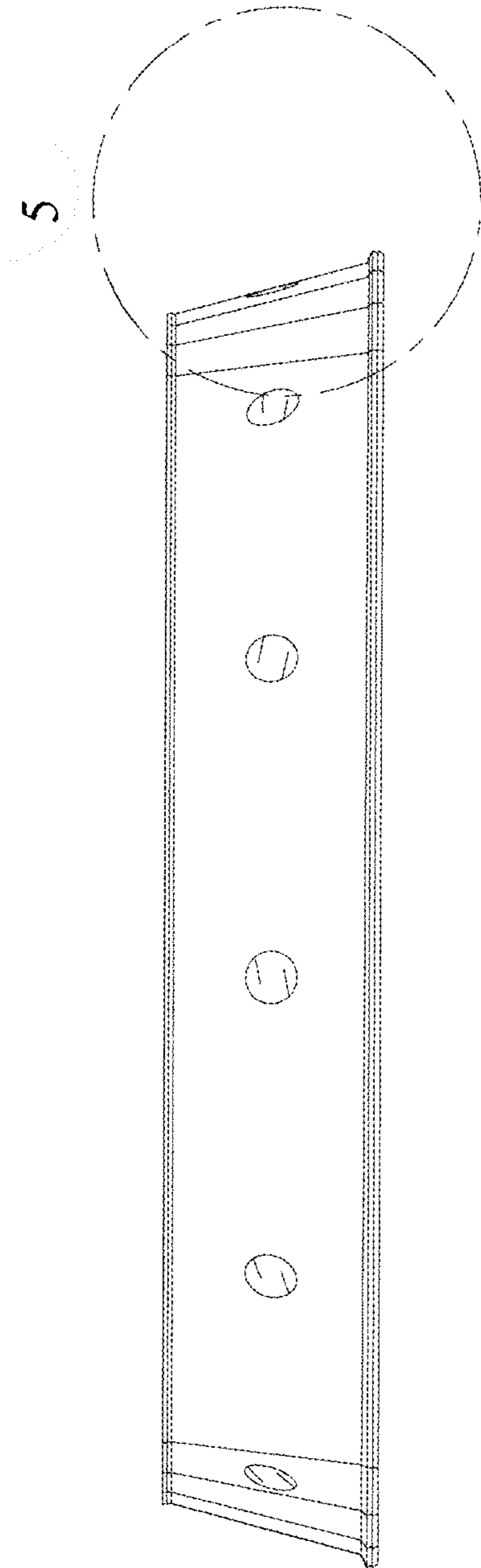
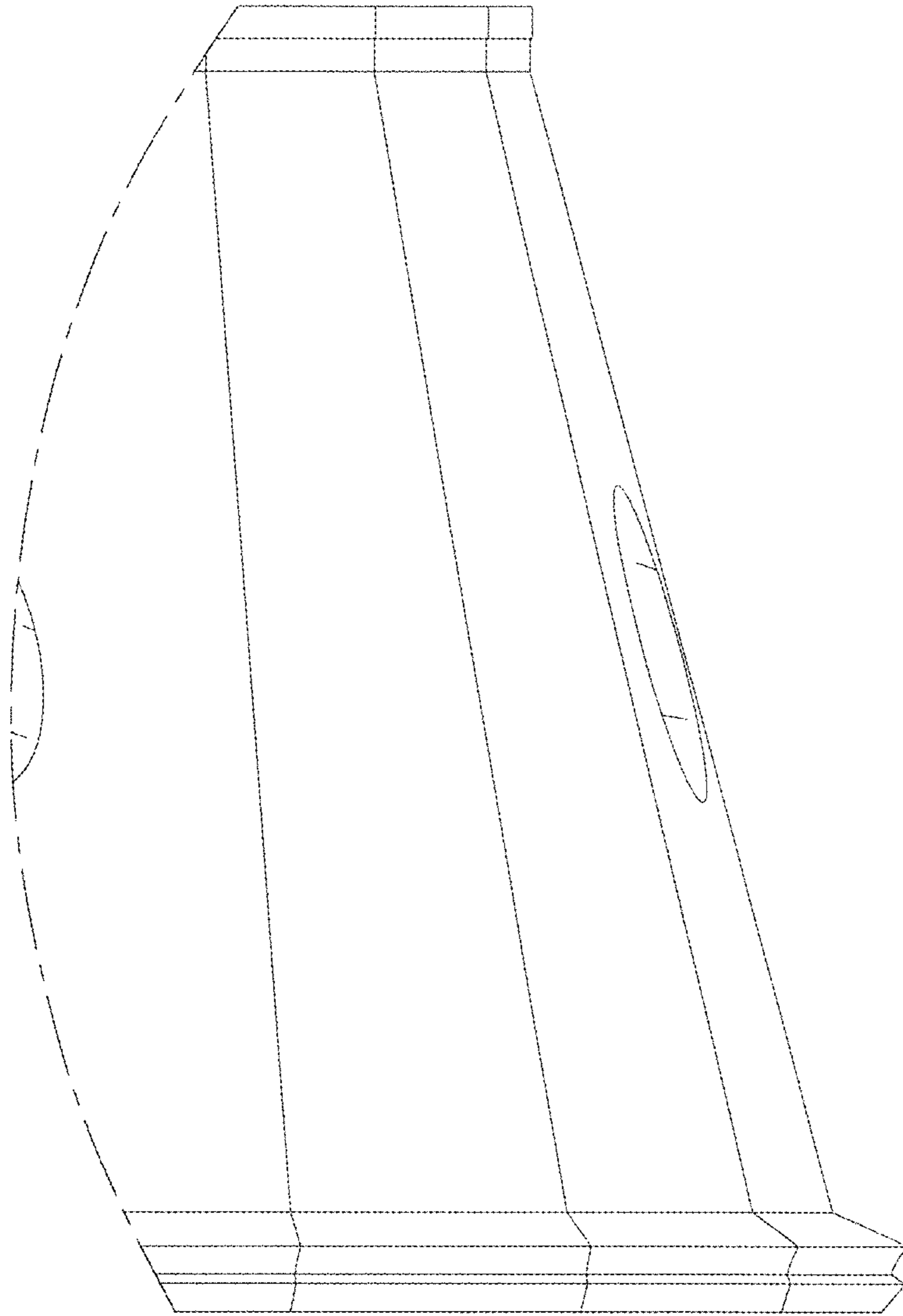


FIG. 4



DETAIL 5

FIG. 5

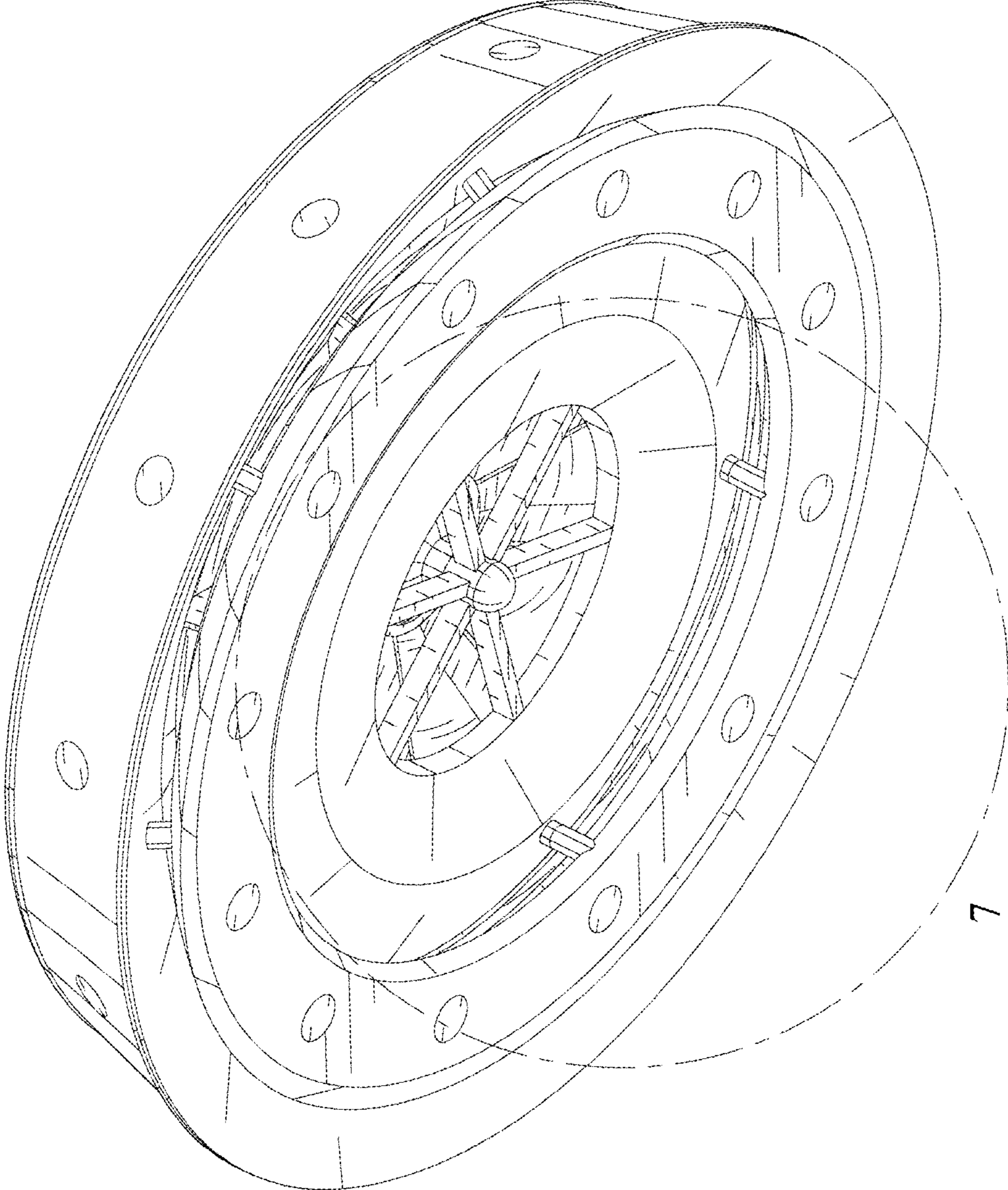
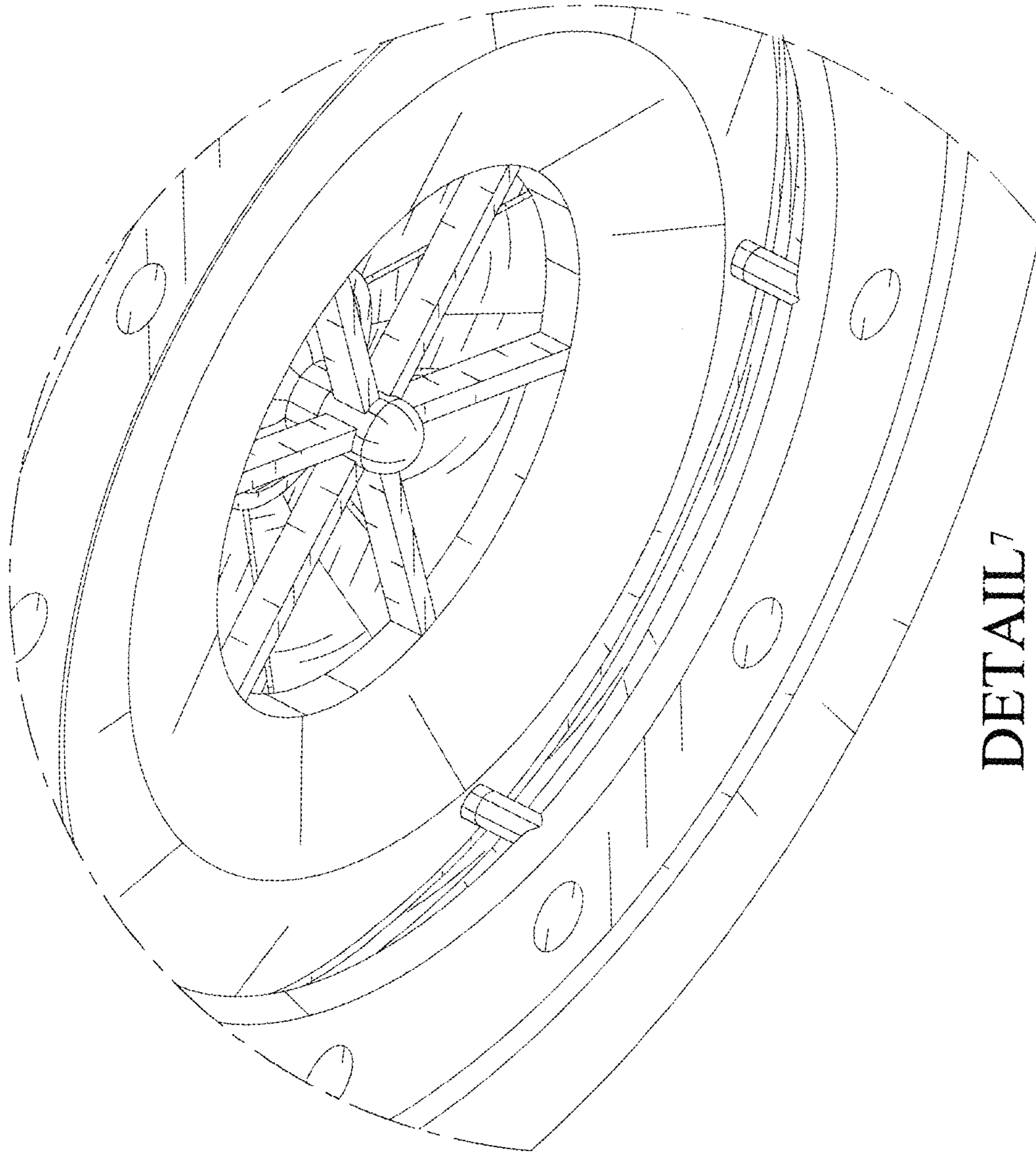


FIG. 6



DETAIL 7

FIG. 7

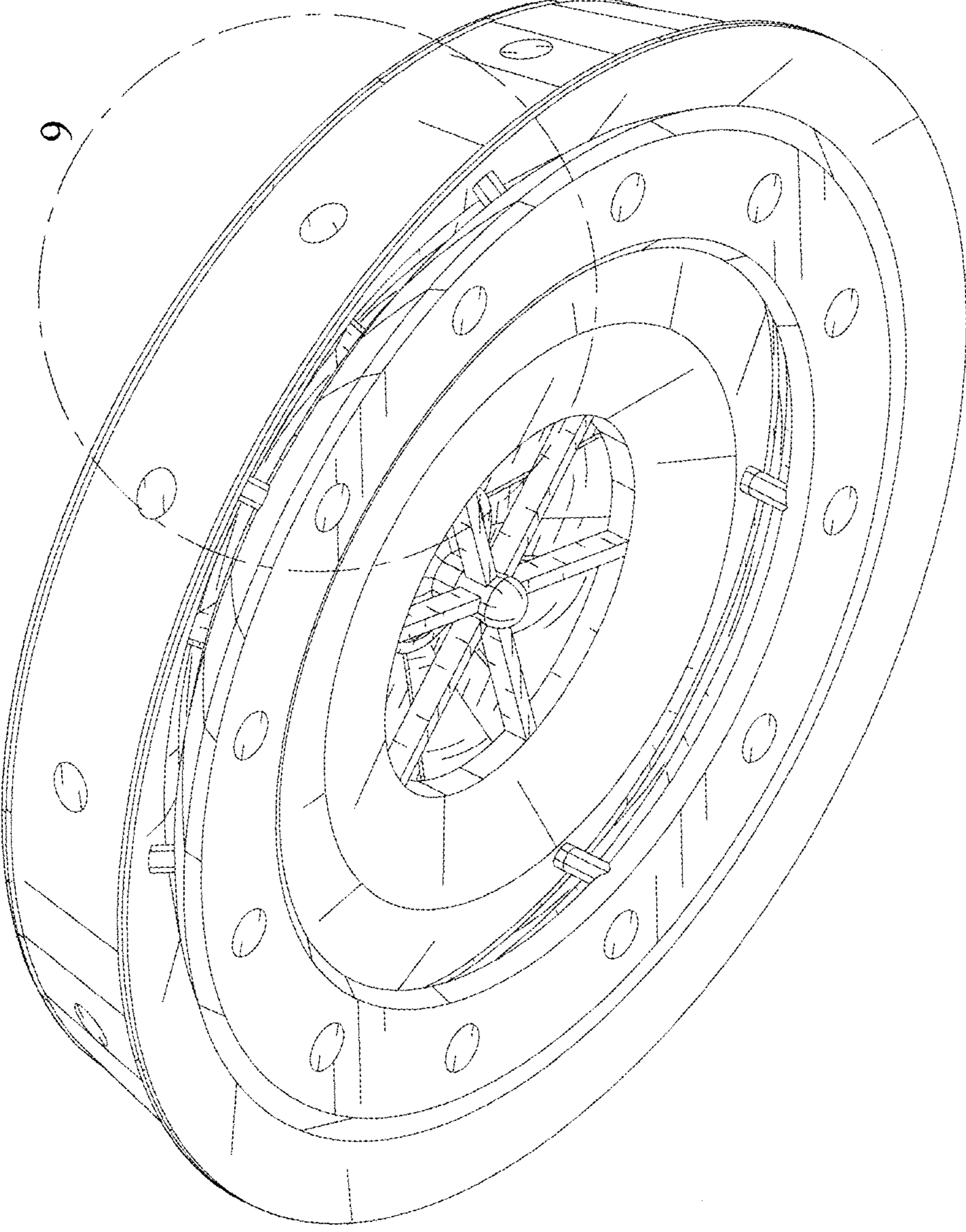
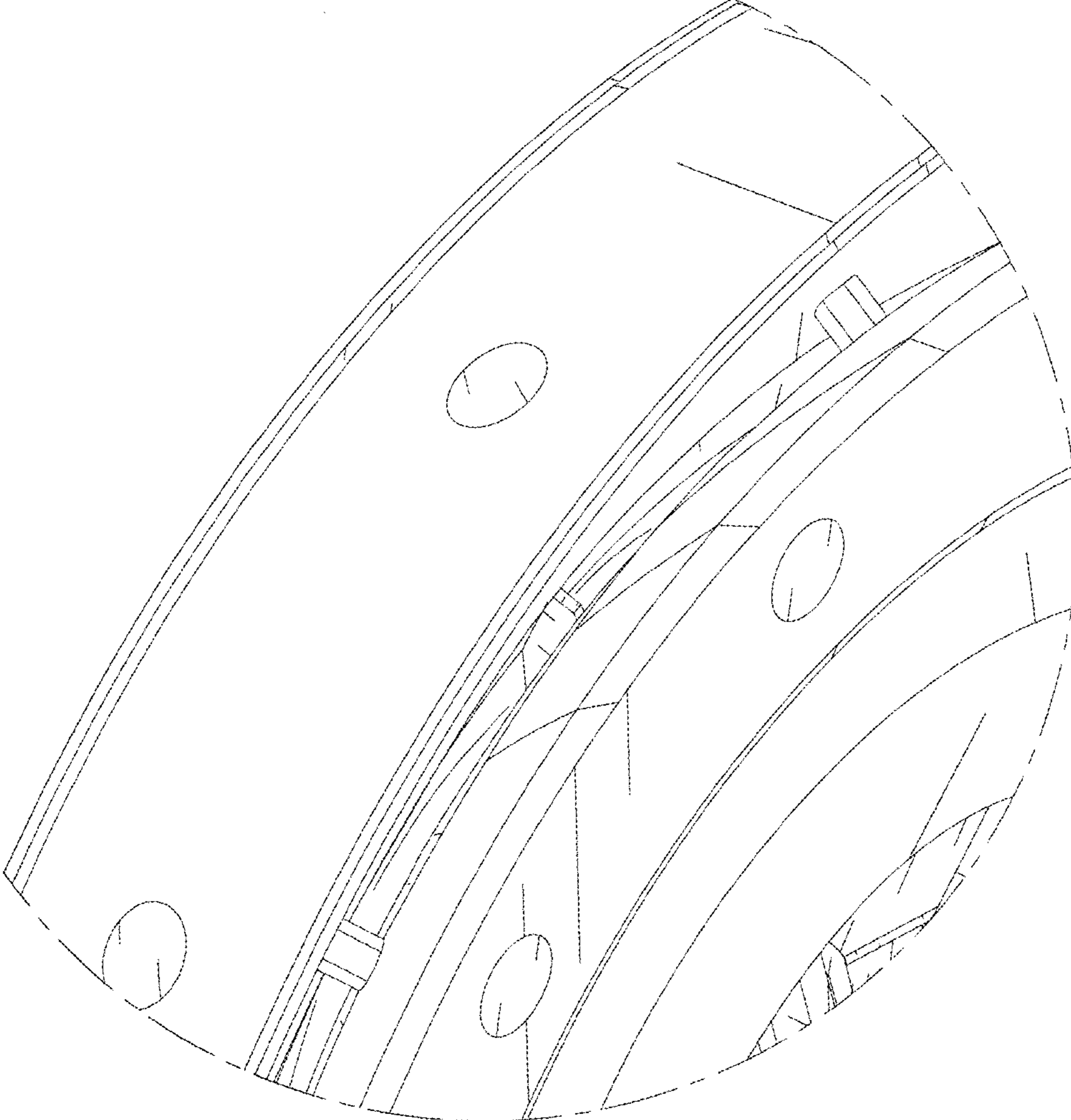


FIG. 8



DETAIL
FIG. 9