



US00D896939S

(12) **United States Design Patent** (10) **Patent No.:** **US D896,939 S**  
**Shin et al.** (45) **Date of Patent:** **\*\* Sep. 22, 2020**

(54) **AIR CONDITIONER**

FOREIGN PATENT DOCUMENTS

(71) Applicant: **Samsung Electronics Co., Ltd.**,  
Suwon-si (KR)

EM 001007652-0001 10/2008  
KR 30-2003-0002948 12/2003

(Continued)

(72) Inventors: **Young-Sun Shin**, Seoul (KR); **Jin-Sun Park**, Seoul (KR); **Dong-Ju Shin**, Seoul (KR)

*Primary Examiner* — Natasha Vujcic

(74) *Attorney, Agent, or Firm* — NSIP Law

(73) Assignee: **Samsung Electronics Co., Ltd.**,  
Suwon-si (KR)

(\*\*) Term: **15 Years**

(57) **CLAIM**

(21) Appl. No.: **29/675,910**

We claim the ornamental design for an air conditioner, as shown and described.

(22) Filed: **Jan. 7, 2019**

**Related U.S. Application Data**

**DESCRIPTION**

(63) Continuation of application No. 29/616,604, filed on Sep. 7, 2017, now Pat. No. Des. 847,317.

(30) **Foreign Application Priority Data**

Mar. 10, 2017 (KR) ..... 30-2017-0011334

(51) **LOC (12) Cl.** ..... **23-04**

(52) **U.S. Cl.**  
USPC ..... **D23/351**

(58) **Field of Classification Search**

USPC ..... D23/333, 351–354, 388  
CPC .... F24F 1/00; F24F 1/0007; F24F 1/02; F24F 1/08; F24F 1/42; F24F 1/56; F24F 1/60; F24F 3/044; F24F 3/048; F24F 3/16; G05D 23/1905; G05D 23/1932; G05D 23/1902; G05D 23/1931; G05B 19/0426; G05B 19/409; G05B 15/02

See application file for complete search history.

(56) **References Cited**

**U.S. PATENT DOCUMENTS**

D290,746 S 7/1987 Whitley, II  
D351,903 S 10/1994 Whitley, II  
D357,732 S 4/1995 Spechts

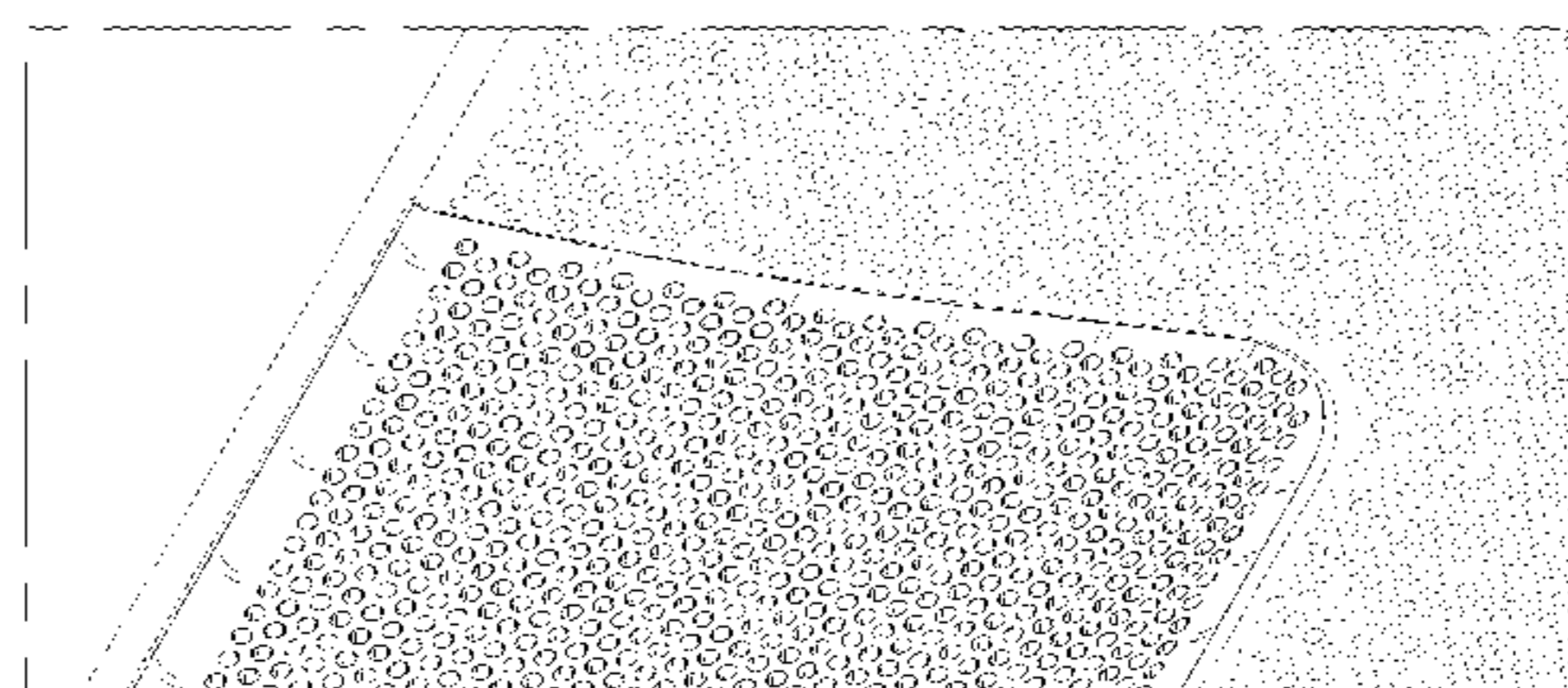
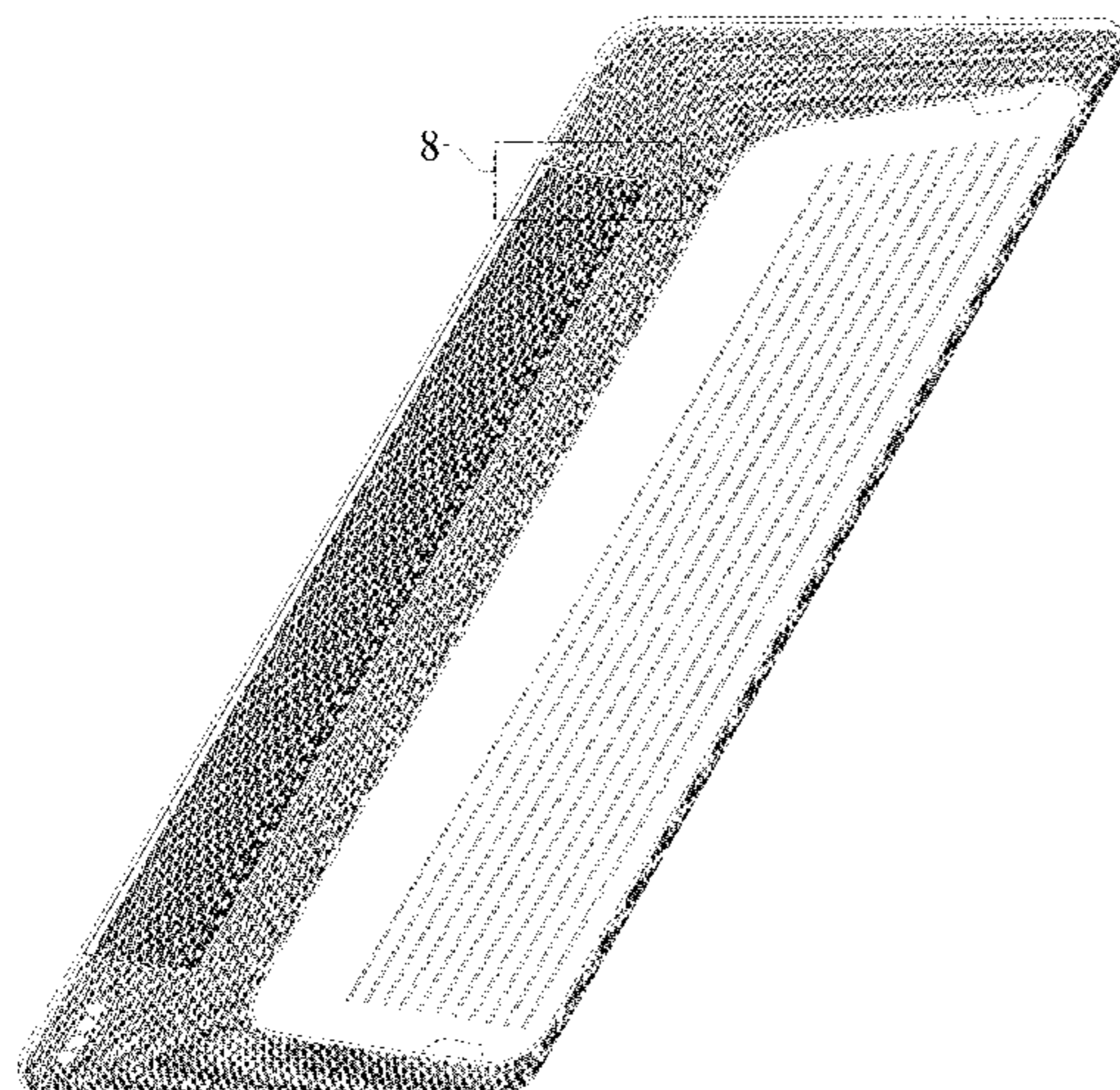
(Continued)

FIG. 1 is a front perspective view of an air conditioner showing our new design;  
FIG. 2 is a front elevational view thereof;  
FIG. 3 is a rear elevational view thereof;  
FIG. 4 is a left-side elevational view thereof;  
FIG. 5 is a right-side elevational view thereof;  
FIG. 6 is a top plan view thereof;  
FIG. 7 is a bottom plan view thereof;  
FIG. 8 is an enlarged view of the encircled portion in FIG. 1;  
FIG. 9 is an enlarged view of the encircled portion in FIG. 2;  
FIG. 10 is an enlarged view of the encircled portion in FIG. 4; and  
FIG. 11 is an enlarged view of the encircled portion in FIG. 5.

The evenly dashed broken lines in the figures depict environmental subject matter and form no part of the claimed design.

The dot-dash broken lines encircling portions of the claimed design that are illustrated in enlargements form no part of the claimed design.

**1 Claim, 11 Drawing Sheets**



(56)

References Cited

U.S. PATENT DOCUMENTS

D446,292 S 8/2001 Asakura  
 D461,235 S 8/2002 Arlotta  
 D563,386 S \* 3/2008 Foster ..... D14/214  
 D568,014 S 4/2008 Fester  
 D580,536 S 11/2008 Oh  
 D589,605 S \* 3/2009 Reedy ..... D23/388  
 D597,653 S \* 8/2009 Calkins ..... D23/388  
 D641,339 S \* 7/2011 Miller ..... D14/214  
 D696,165 S 12/2013 Campbell  
 D708,729 S \* 7/2014 Platt ..... D23/365  
 D713,951 S \* 9/2014 Jepson ..... D23/388  
 D723,675 S \* 3/2015 Paskow ..... D23/354  
 D735,843 S \* 8/2015 Sunwoo ..... D23/333  
 D739,845 S \* 9/2015 Hwang ..... D14/214  
 D766,413 S \* 9/2016 Zhou ..... D23/354  
 D772,387 S 11/2016 Choi  
 D777,896 S \* 1/2017 Rizzi ..... D23/354

D777,897 S \* 1/2017 Rizzi ..... D23/354  
 D783,136 S 4/2017 Park  
 D784,512 S 4/2017 Jonas  
 D787,656 S 5/2017 Yoo  
 D793,542 S 8/2017 Zhou  
 D804,005 S 11/2017 Spear  
 D809,640 S 2/2018 Lee  
 D814,617 S 4/2018 Shin  
 D825,729 S \* 8/2018 Shin ..... D23/351  
 D857,867 S \* 8/2019 Shin ..... D23/351  
 D857,872 S \* 8/2019 Shimada ..... D23/371  
 D857,873 S \* 8/2019 Shimada ..... D23/371  
 D883,275 S \* 5/2020 Zhang ..... D14/299

FOREIGN PATENT DOCUMENTS

KR 30-2006-0051770 7/2007  
 KR 30-2012-0039578 12/2012  
 KR 30-2015-0011097 11/2015

\* cited by examiner

FIG. 1

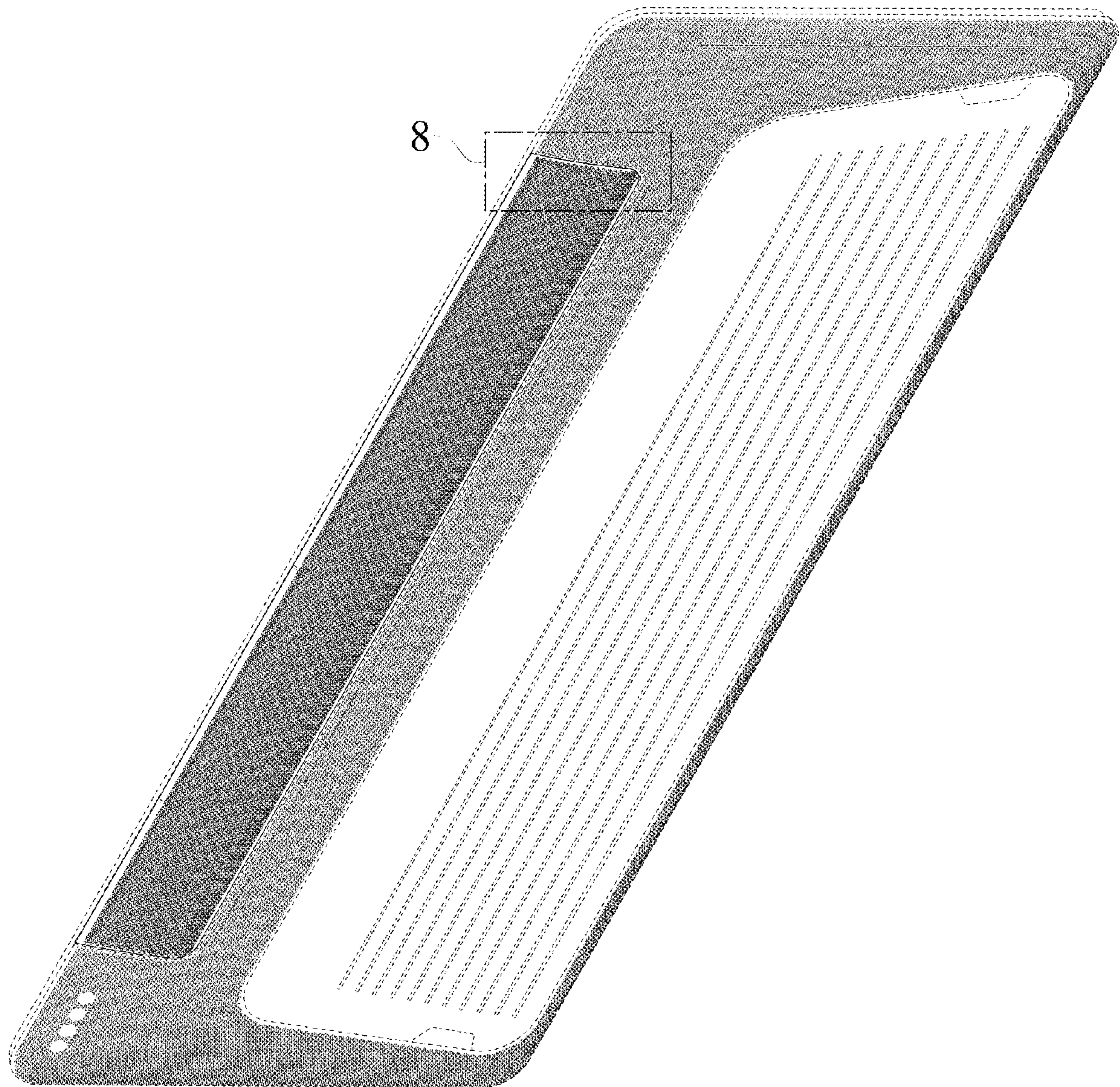


FIG. 2

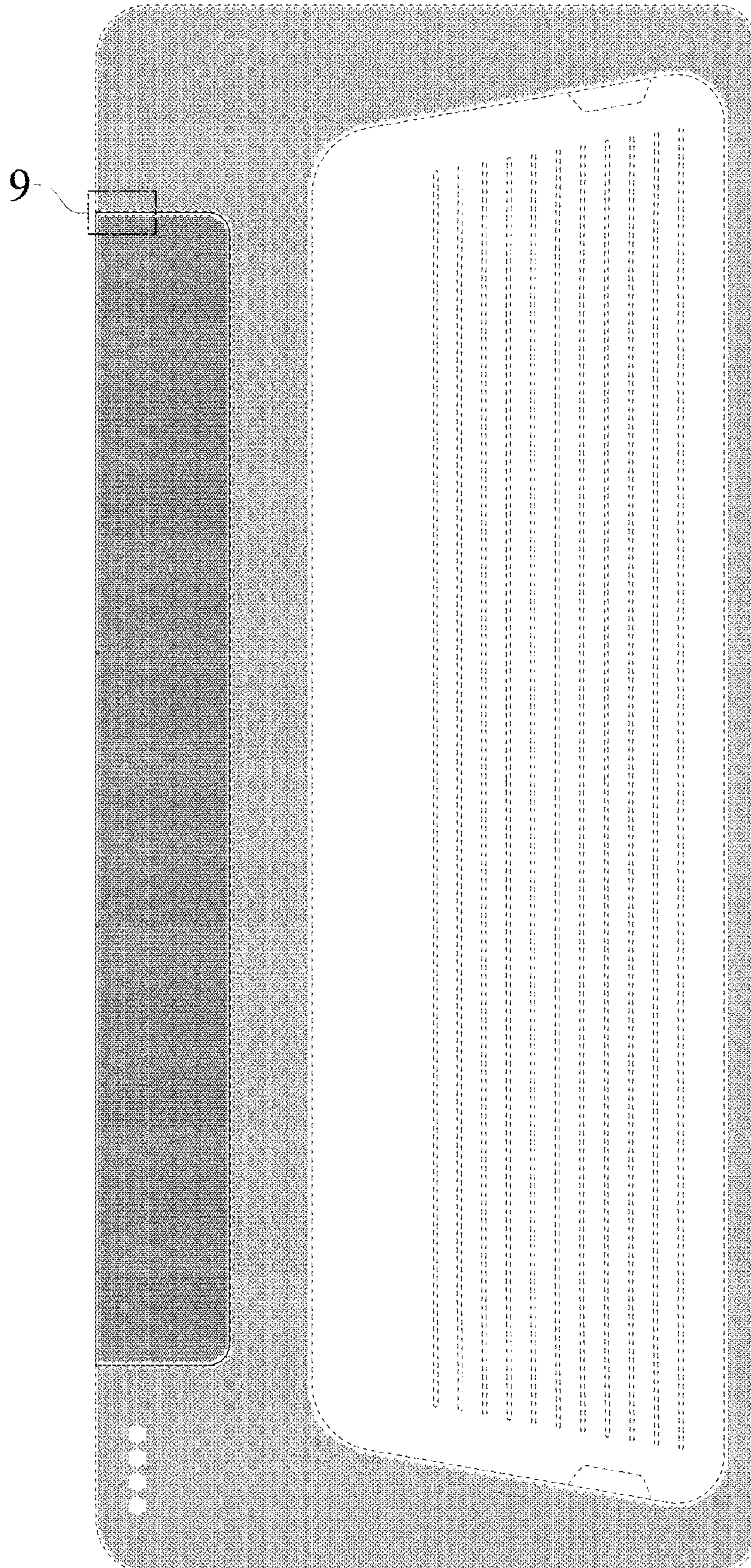


FIG. 3

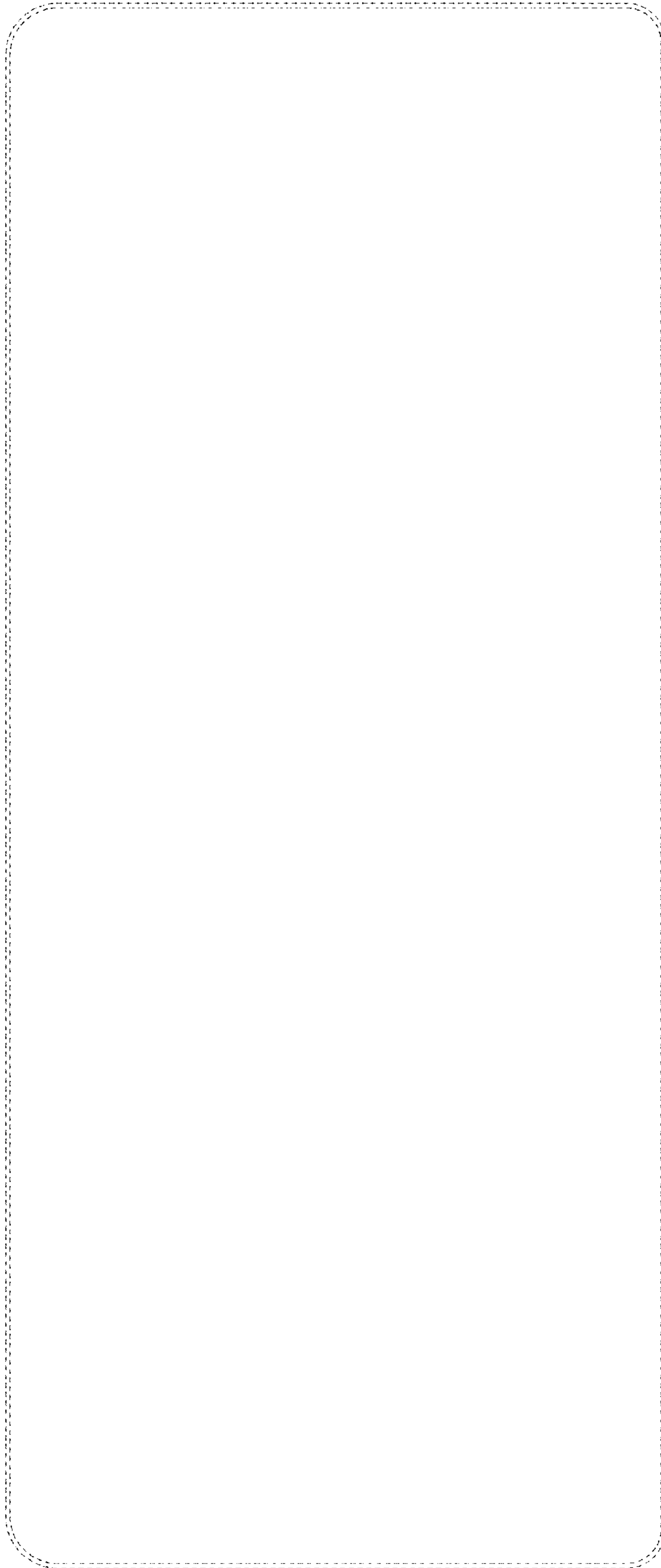


FIG. 4



FIG. 5

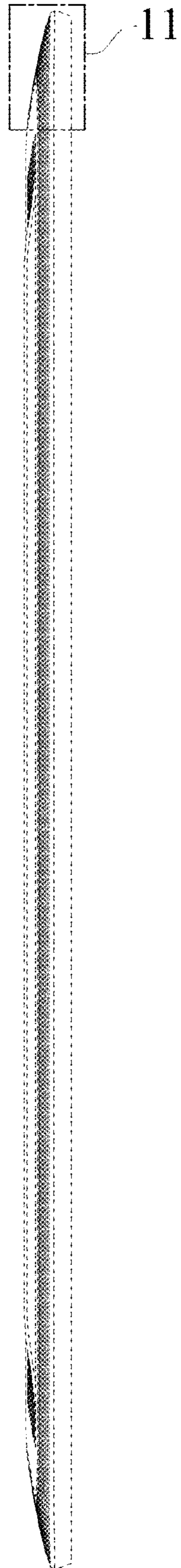


FIG. 6

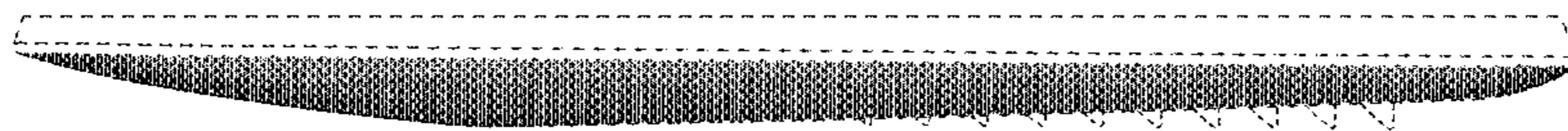




FIG. 7

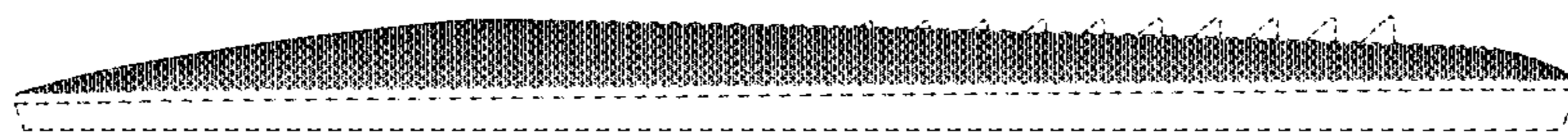


FIG. 8

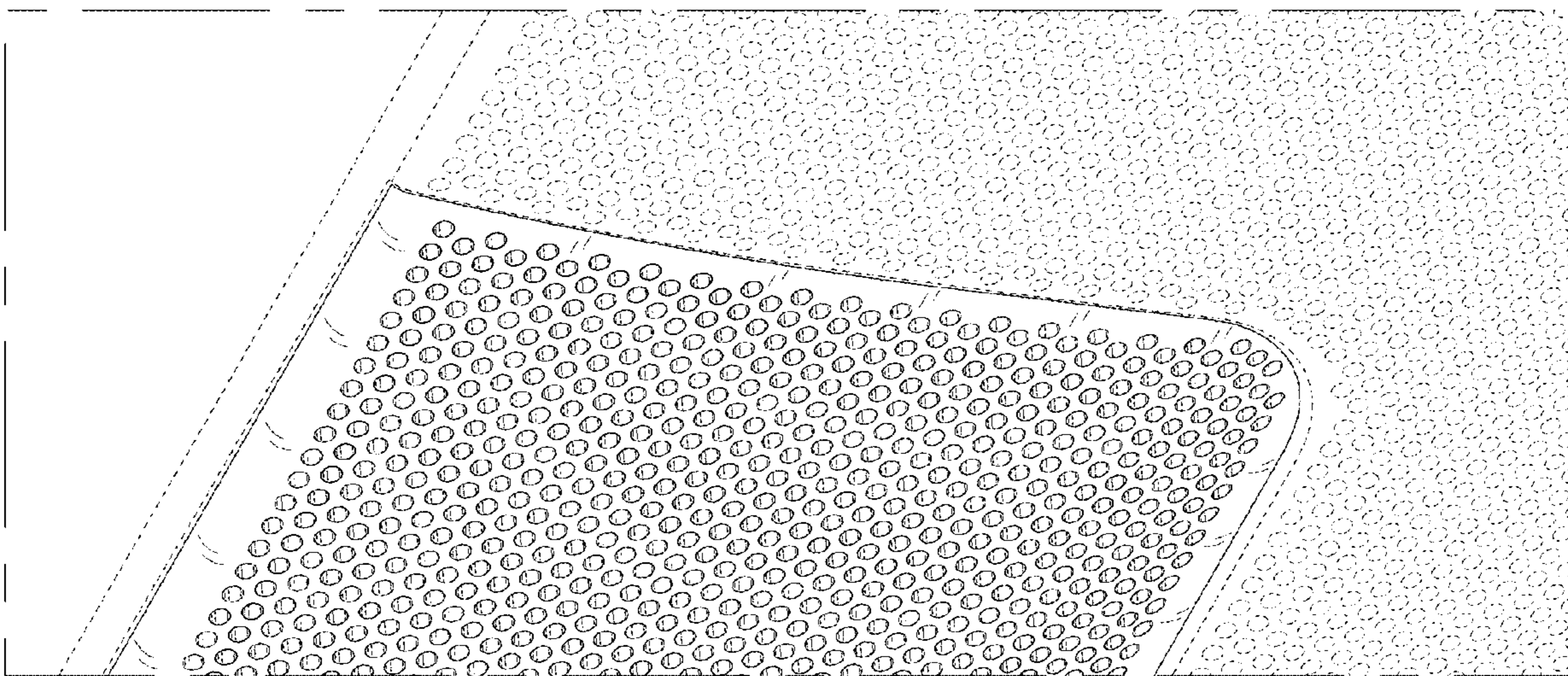


FIG. 9

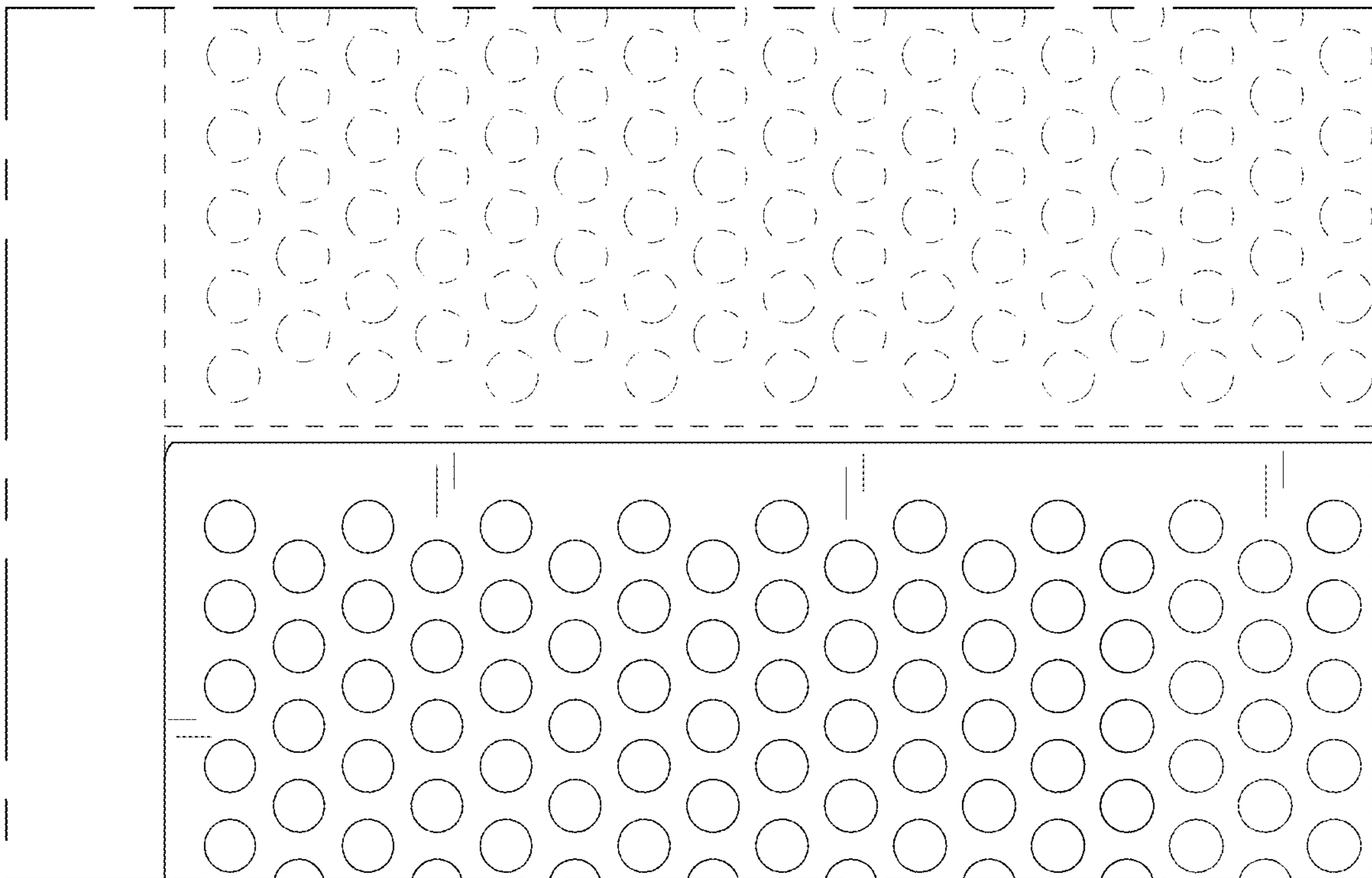


FIG. 10

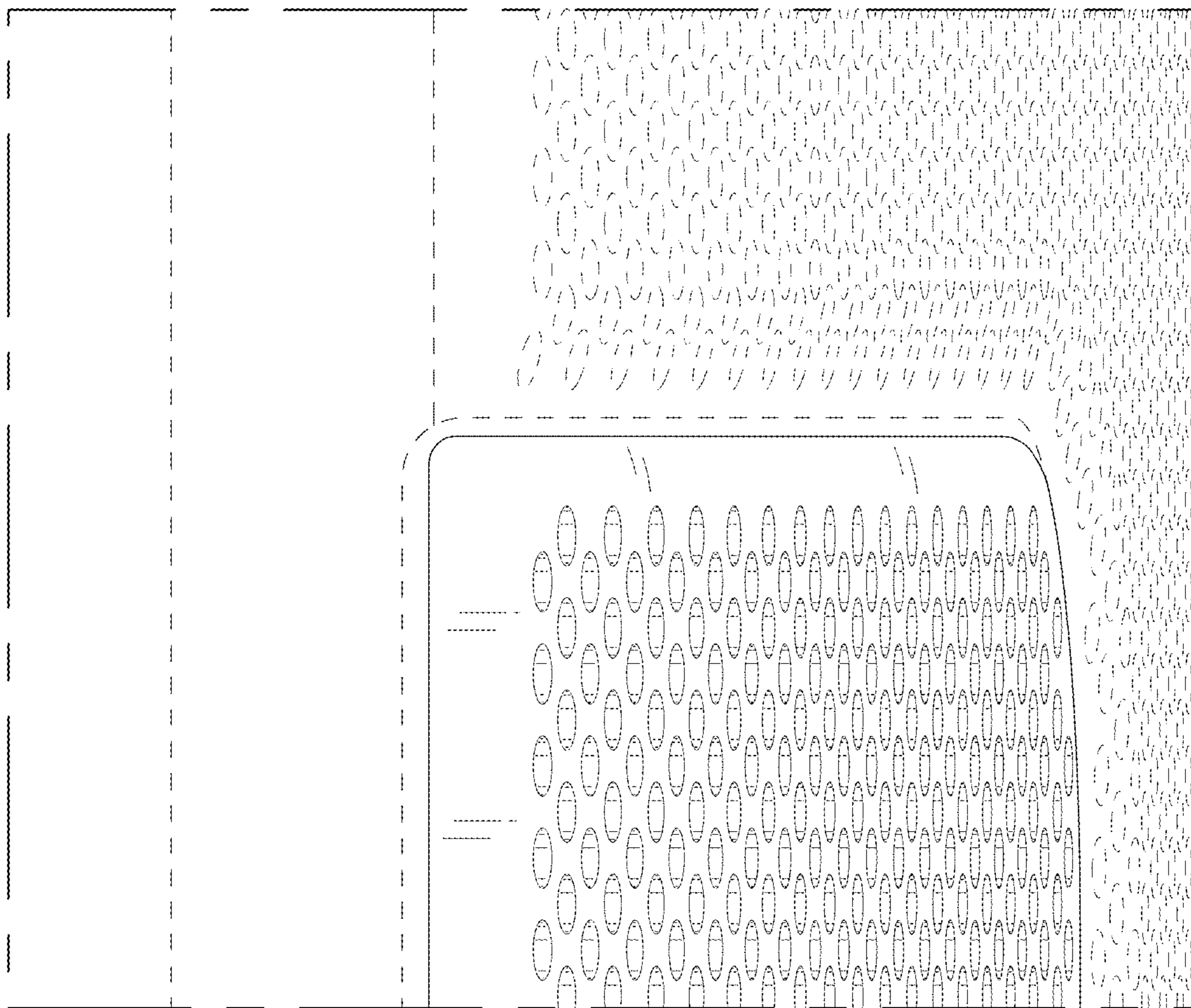


FIG. 11

