



US00D896937S

(12) **United States Design Patent**
Yang

(10) **Patent No.:** **US D896,937 S**

(45) **Date of Patent:** **** Sep. 22, 2020**

(54) **HEATER**

(71) Applicant: **Mingtai Yang**, Guangdong (CN)

(72) Inventor: **Mingtai Yang**, Guangdong (CN)

(**) Term: **15 Years**

(21) Appl. No.: **29/684,094**

(22) Filed: **Mar. 19, 2019**

(51) **LOC (12) Cl.** **23-03**

(52) **U.S. Cl.**
USPC **D23/335**

(58) **Field of Classification Search**

USPC D23/314, 317, 318, 319, 320, 321, 322,
D23/323, 329, 330, 331, 332, 334, 335,
D23/333, 336, 337, 338, 339, 340, 341,
D23/342, 370, 378, 411, 412, 356, 358,
D23/359, 363, 328

CPC F24H 3/00; F24H 3/0411; F24H 3/0417;
F24H 9/0063; F24H 9/0073; F24H 9/02;
F24H 3/082; F24H 9/2071; F24H 3/002;
F24H 3/02; F24H 3/04; F04D 17/04;
F04D 25/08; F04D 25/10; F04D 5/00;
H05B 3/008

See application file for complete search history.

(56) **References Cited**

U.S. PATENT DOCUMENTS

D315,598 S * 3/1991 Yamamoto D23/378
D322,669 S * 12/1991 Yamamoto D23/378

D346,017 S * 4/1994 Lim D23/332
D389,567 S * 1/1998 Gudefin D23/370
D410,074 S * 5/1999 Lee D23/332
D479,589 S * 9/2003 Koike D23/336
D487,140 S * 2/2004 Gao D23/335
D543,612 S * 5/2007 Fok D23/336
D593,662 S * 6/2009 Chen D23/317
D841,140 S * 2/2019 Chen D23/336
D849,218 S * 5/2019 Liang D23/356
D854,134 S * 7/2019 Jessup D23/364

* cited by examiner

Primary Examiner — Ania Aman

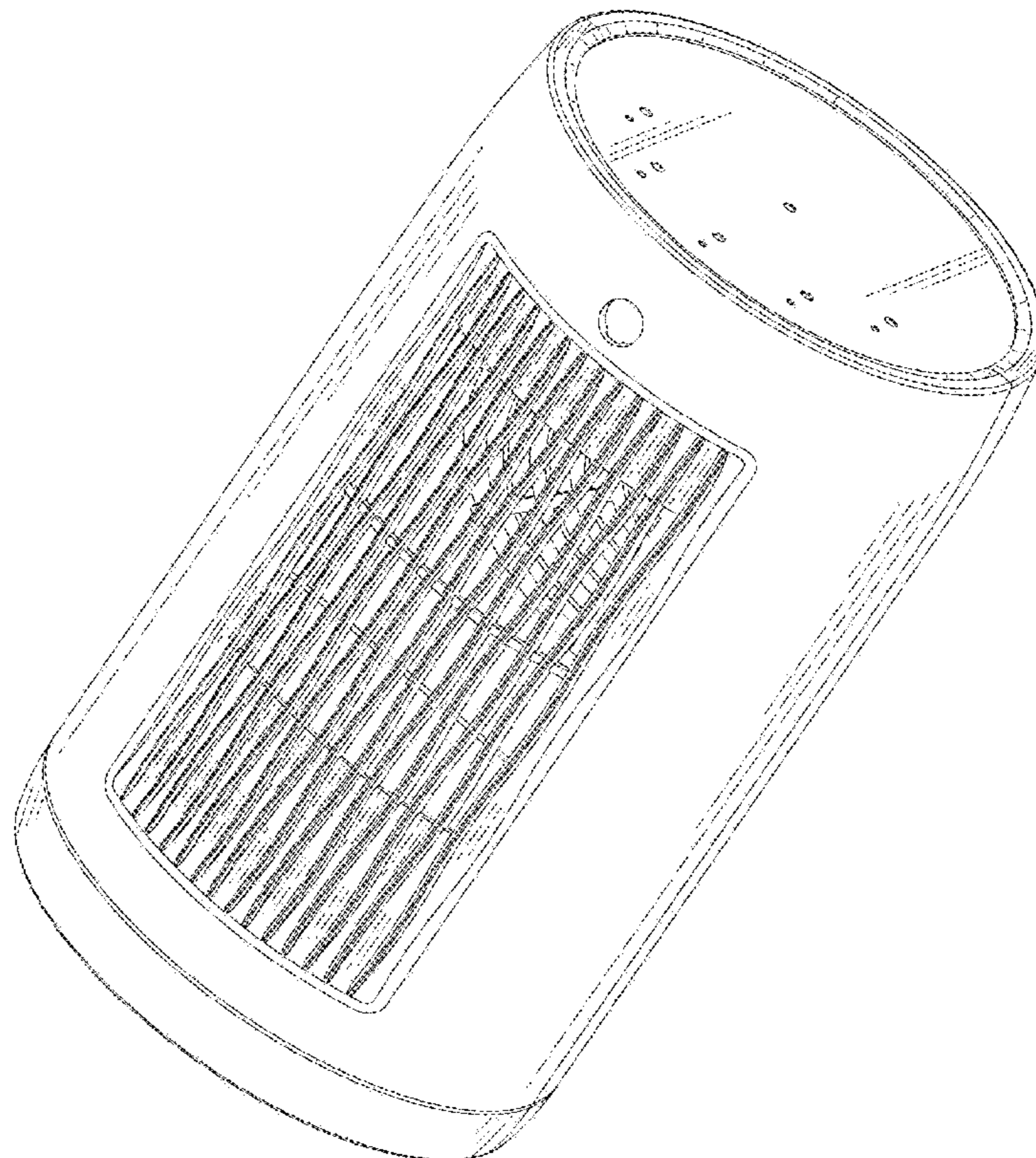
(57) **CLAIM**

I claim, the ornamental design for a heater, as shown and described.

DESCRIPTION

FIG. 1 is a perspective view of a heater showing my new design;
FIG. 2 is a front elevational view thereof;
FIG. 3 is a rear elevational view thereof;
FIG. 4 is a left side elevational view thereof;
FIG. 5 is a right side elevational view thereof;
FIG. 6 is a top plan view thereof;
FIG. 7 is a bottom plan view thereof; and,
FIG. 8 is another perspective view thereof.

1 Claim, 8 Drawing Sheets



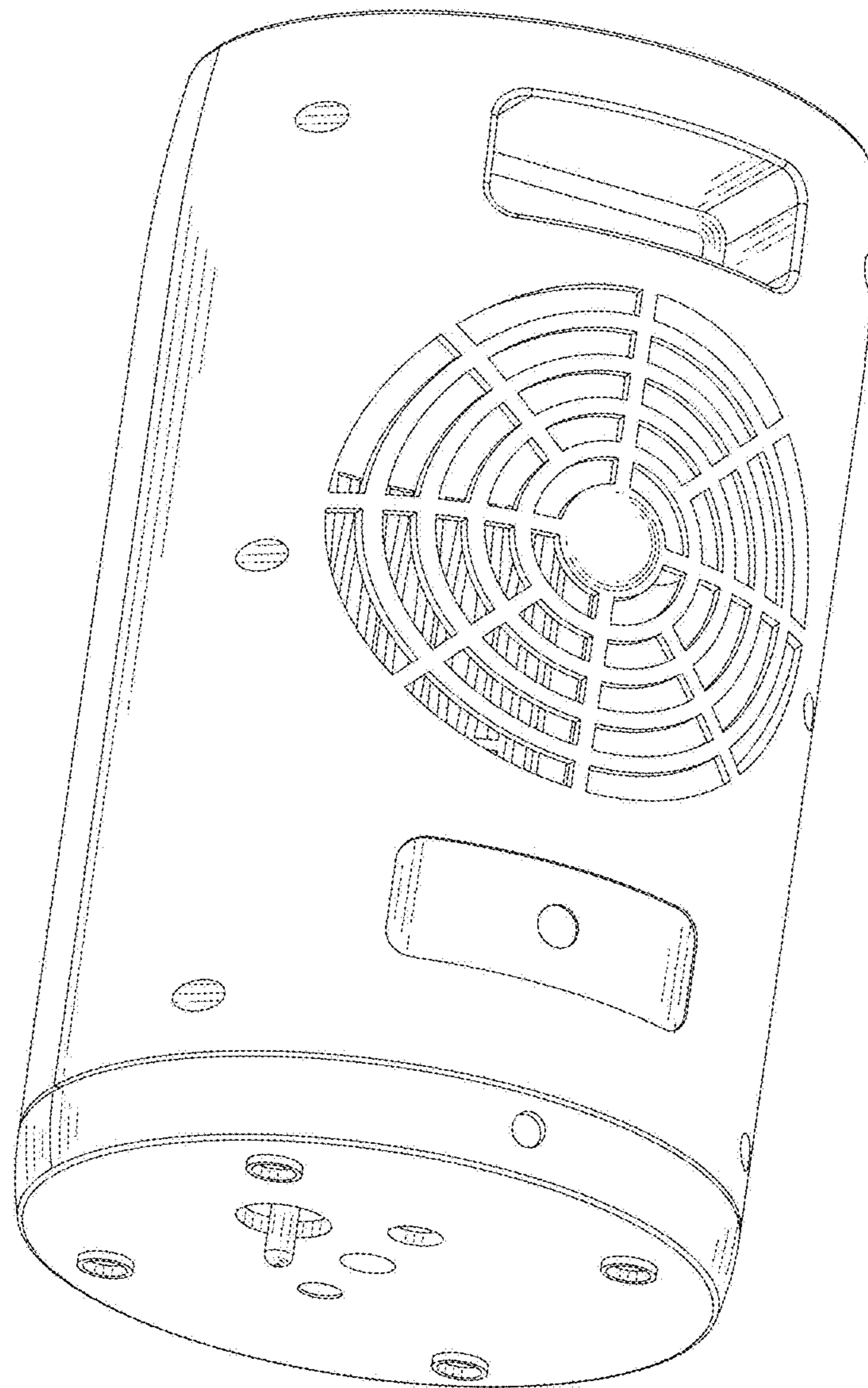


FIG. 1

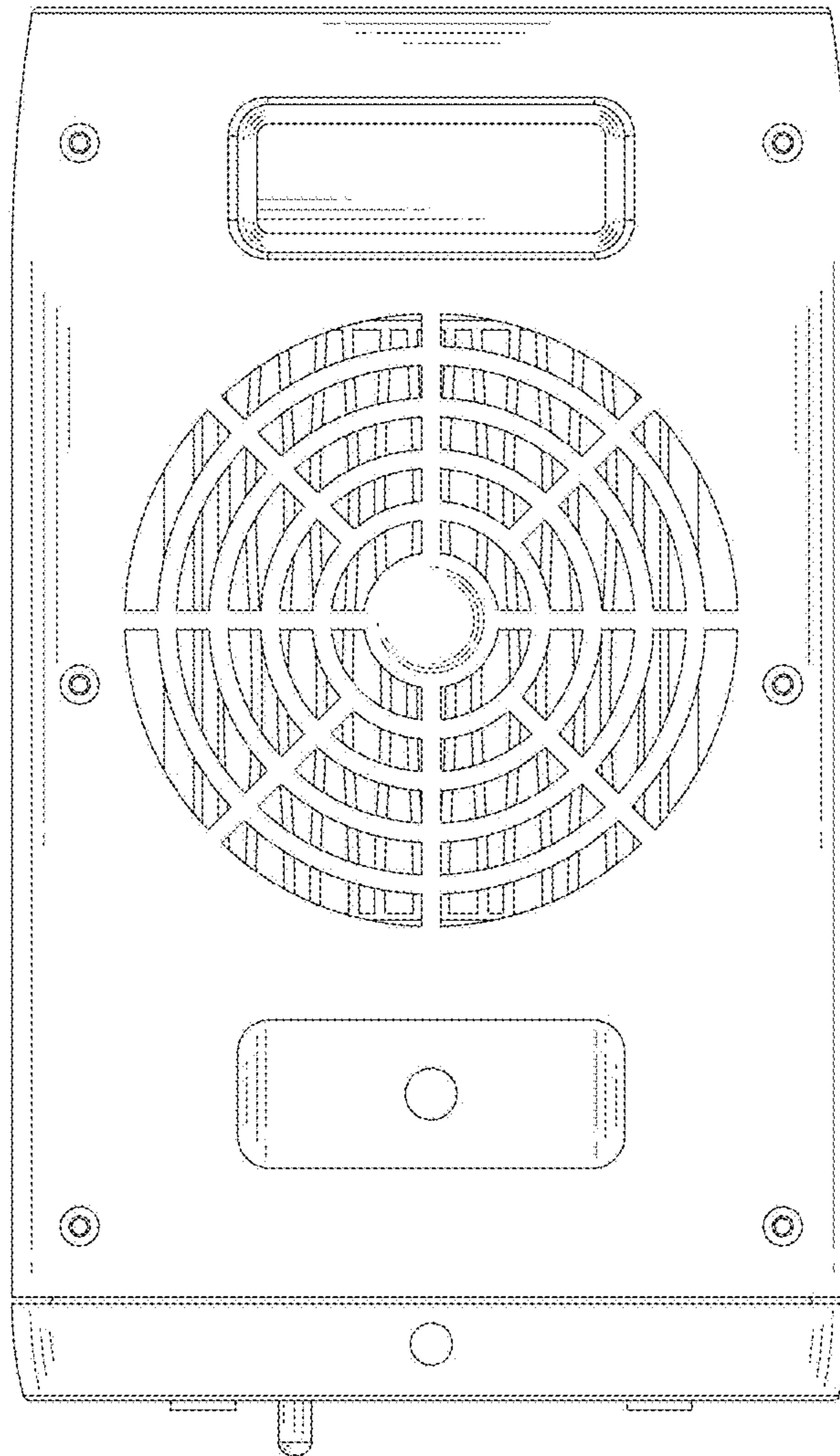


FIG. 2

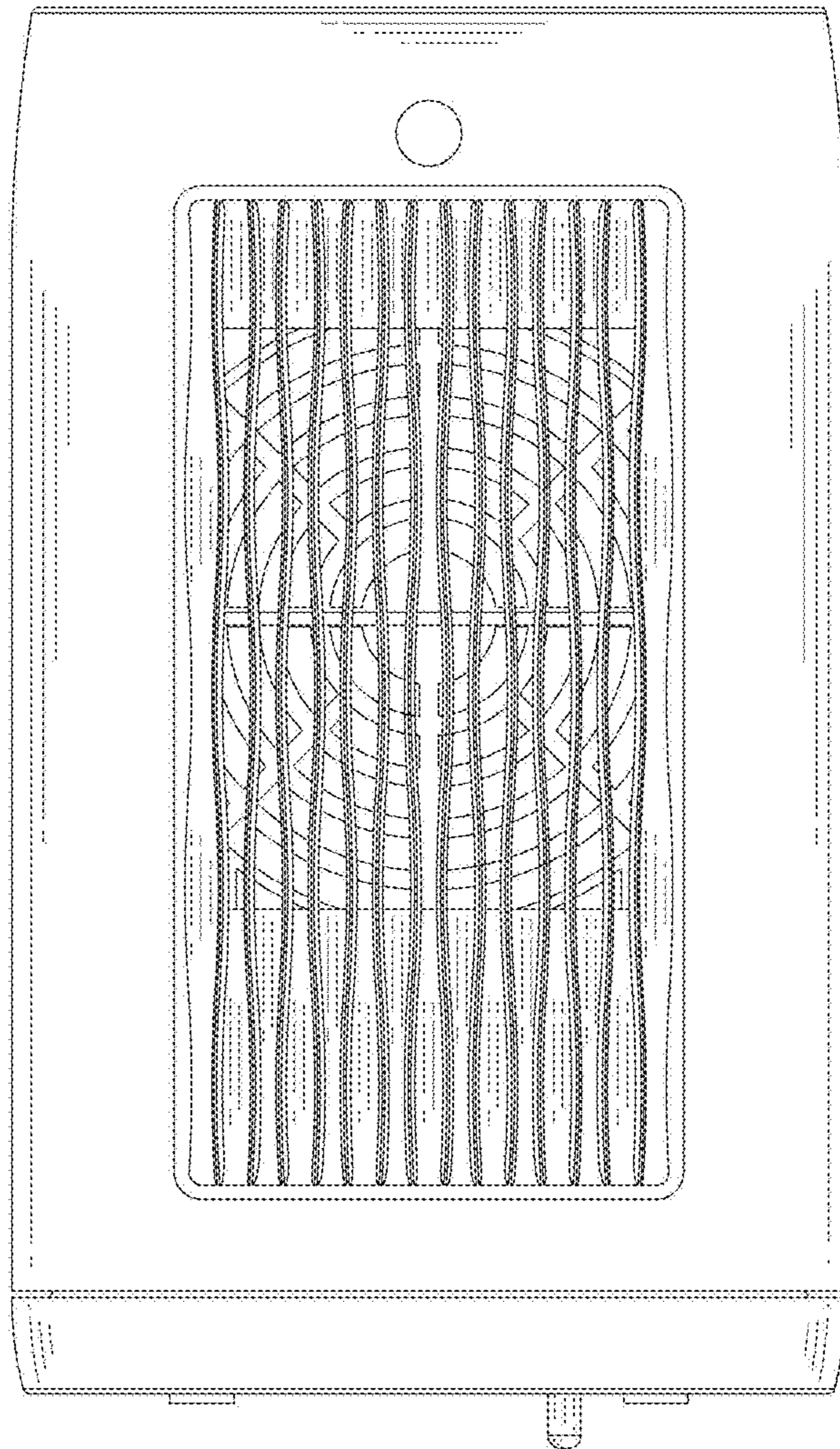


FIG. 3

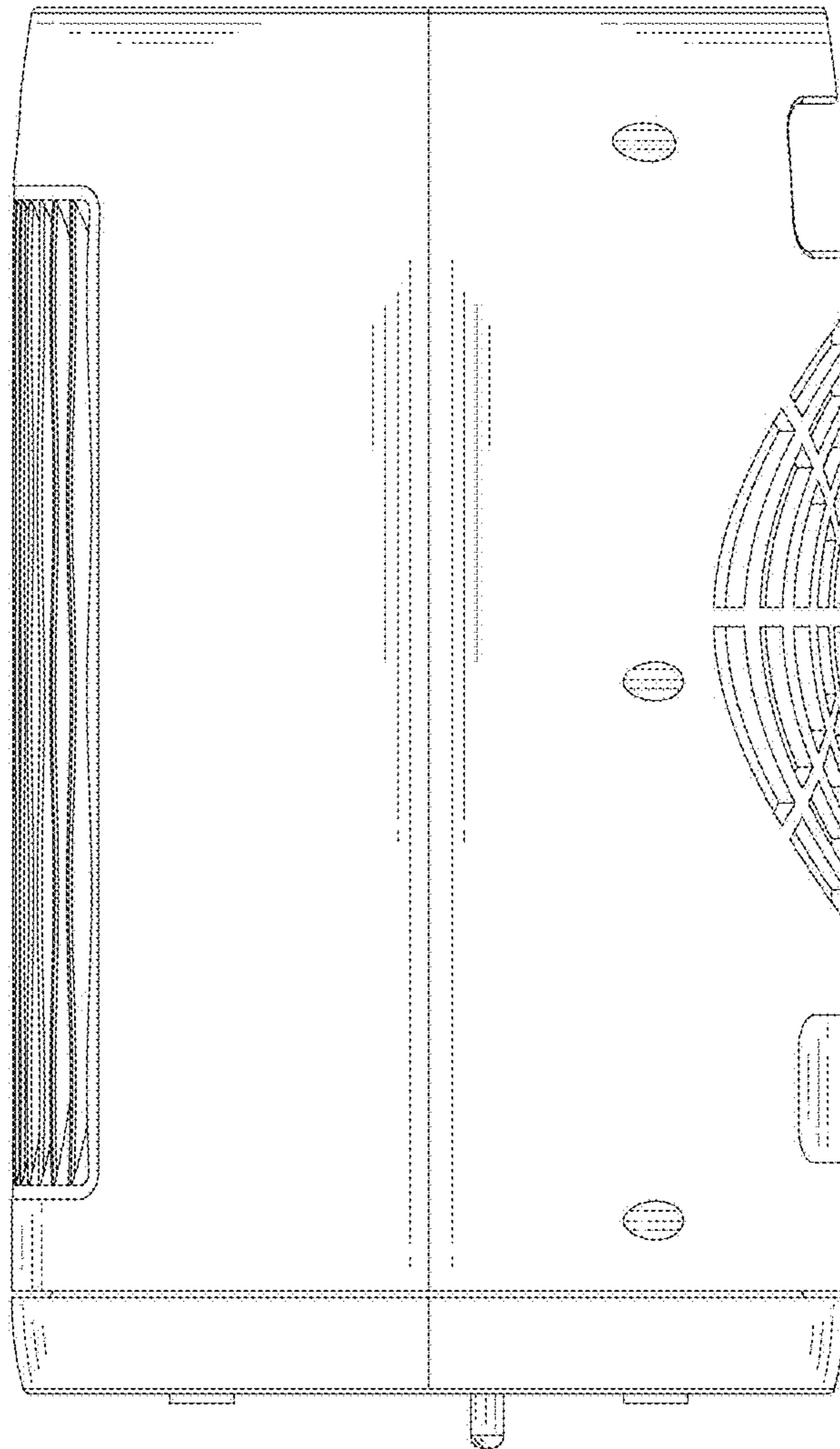


FIG. 4

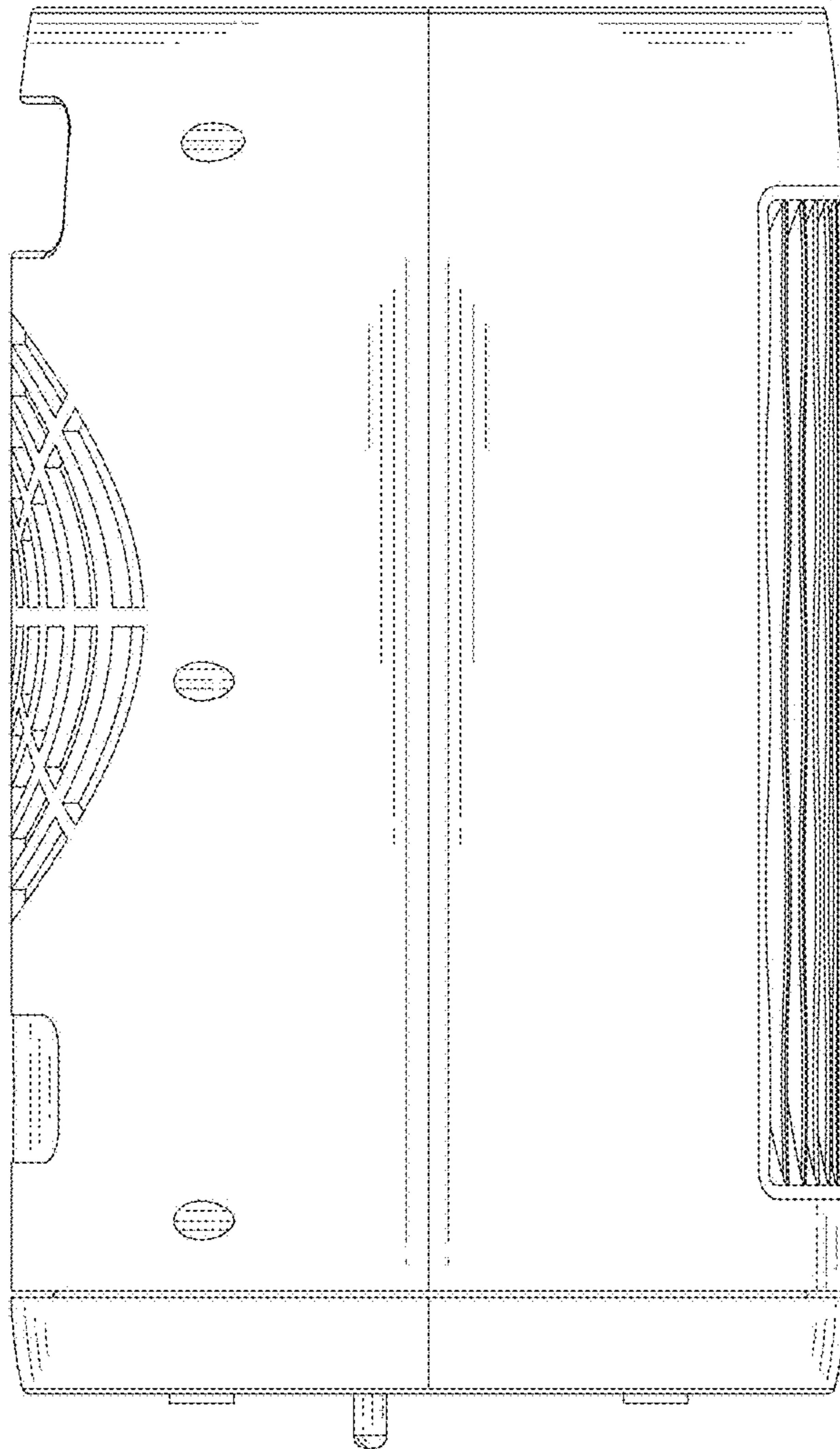


FIG. 5

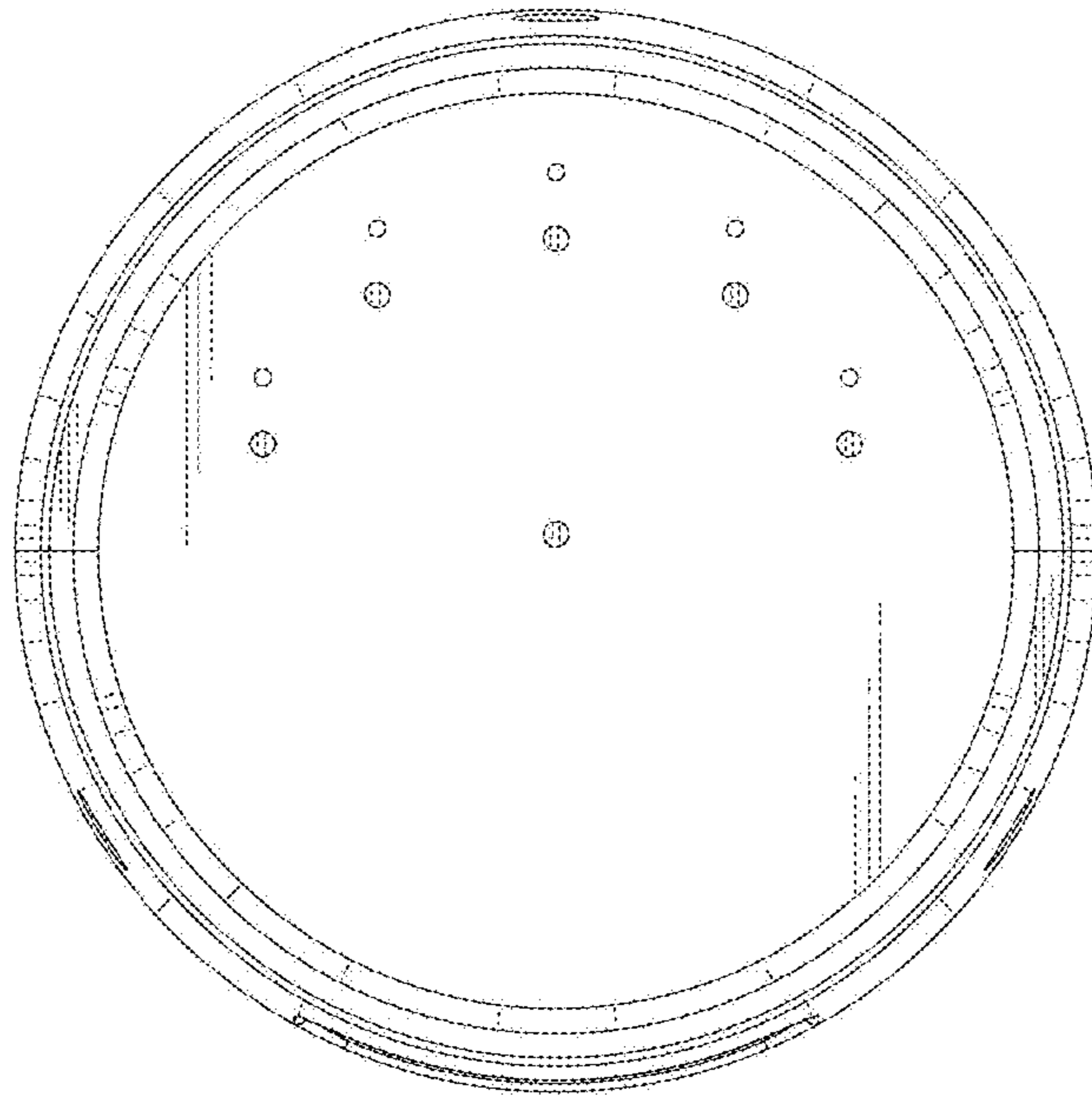


FIG. 6

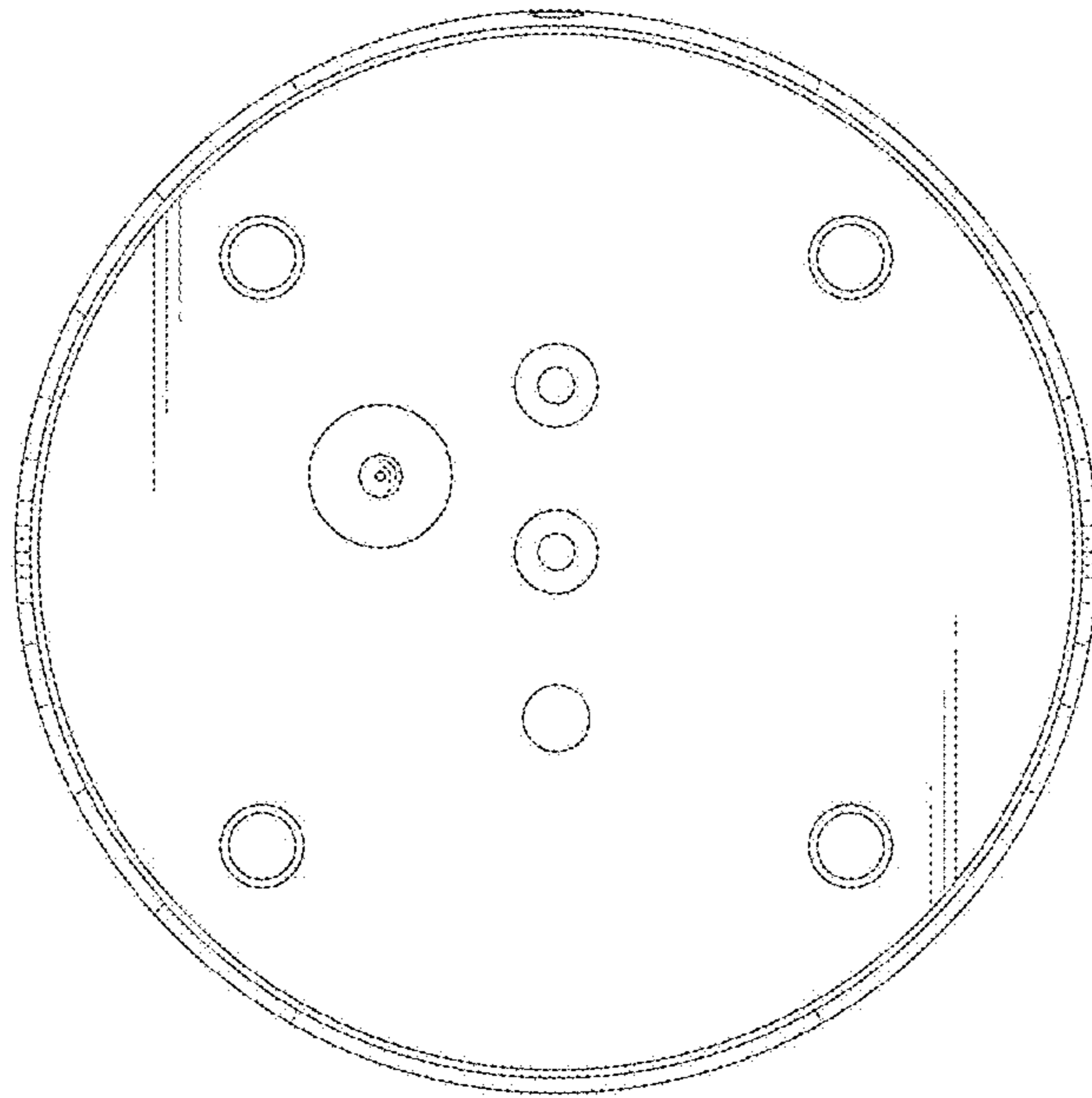


FIG. 7

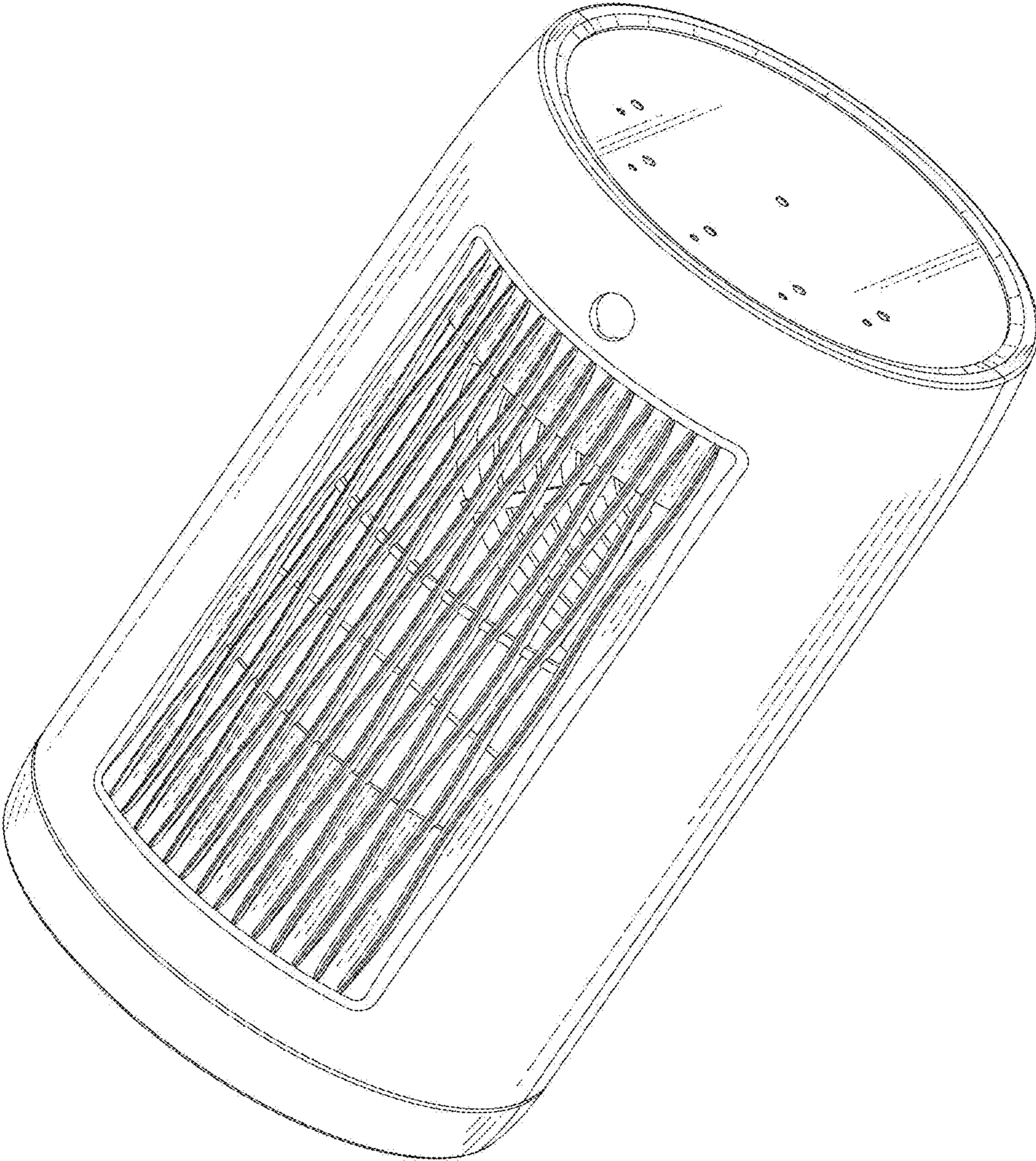


FIG. 8