



US00D896933S

(12) **United States Design Patent**
Kim

(10) **Patent No.:** **US D896,933 S**

(45) **Date of Patent:** **** Sep. 22, 2020**

(54) **HOT WATER BOILER FOR HOT WATER MAT**

(71) Applicant: **KYUNG DONG NAVIEN CO., LTD.**,
Pyeongtaek-si, Gyeonggi-do (KR)

(72) Inventor: **Bo Kyoung Kim**, Seoul (KR)

(73) Assignee: **KYUNG DONG NAVIEN CO., LTD.**,
Pyeongtaek-si, Gyeonggi-Do (KR)

(**) Term: **15 Years**

(21) Appl. No.: **29/687,241**

(22) Filed: **Apr. 11, 2019**

(30) **Foreign Application Priority Data**

Oct. 11, 2018 (KR) 30-2018-0046662

(51) **LOC (12) Cl.** **23-03**

(52) **U.S. Cl.**
USPC **D23/318**

(58) **Field of Classification Search**
USPC D23/318, 319, 321, 316; D7/306, 309,
D7/311

CPC F24H 9/2028; F24H 9/02; F24H 9/128;
F24H 9/2021; F24H 9/2007; F24H
9/0005; F24H 1/08; F24H 7/00; F24H
4/00; F24H 2/142; F24H 1/22; F24H
1/18; F24H 1/50; F24H 1/225; F24H
1/26; F24H 1/48; H05B 3/78

See application file for complete search history.

(56) **References Cited**

U.S. PATENT DOCUMENTS

D532,497 S * 11/2006 Engel D23/318
D787,655 S * 5/2017 Hwang D23/318

D788,275 S * 5/2017 Hwang D23/318
D788,276 S * 5/2017 Stenka D23/322
D844,123 S * 3/2019 Schumann D23/318
D865,925 S * 11/2019 Jurczynszak D23/318
D866,734 S * 11/2019 Bryant D23/318
2016/0178234 A1 * 6/2016 Hayden F24H 1/0018
392/486
2017/0248343 A1 * 8/2017 Hou F24H 9/2021
2019/0162441 A1 * 5/2019 Kuo F24H 1/06
2019/0309990 A1 * 10/2019 Choi F24H 9/00
2020/0049375 A1 * 2/2020 Choi F24H 1/162

* cited by examiner

Primary Examiner — Ania Aman

(74) *Attorney, Agent, or Firm* — Novick, Kim & Lee,
PLLC; Jae Youn Kim; Hyun Woo Shin

(57) **CLAIM**

I claim, the ornamental design for a hot water boiler for hot water mat, as shown and described.

DESCRIPTION

FIG. 1 a front, top perspective view of a hot water boiler for hot water mat, showing my new design;
FIG. 2 is a front elevational view thereof;
FIG. 3 is a rear elevational view thereof;
FIG. 4 is a left side elevational view thereof;
FIG. 5 is a right side elevational view thereof;
FIG. 6 is a top plan view thereof;
FIG. 7 is a bottom plan view thereof; and,
FIG. 8 is a rear, bottom perspective view thereof.

1 Claim, 8 Drawing Sheets

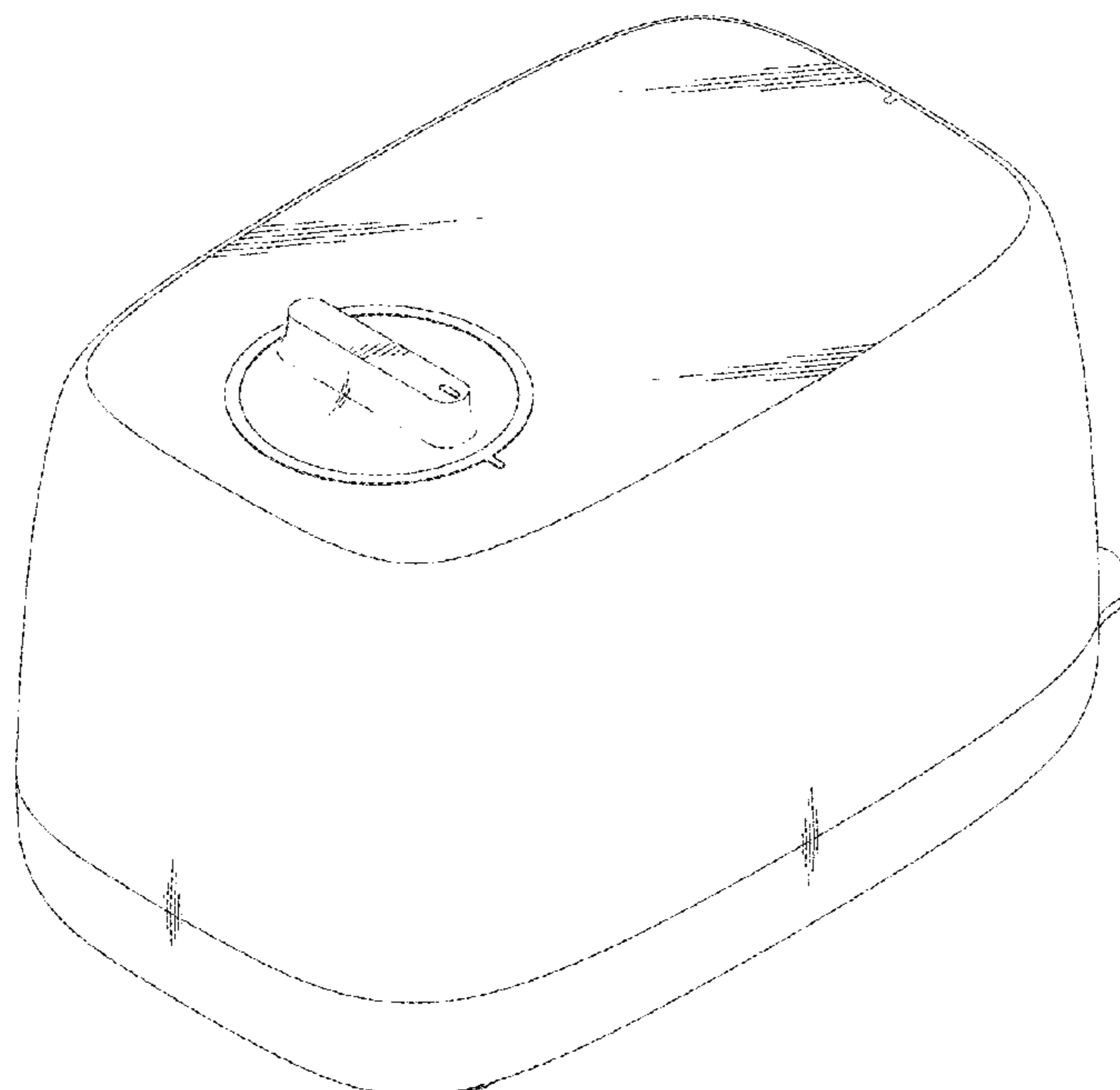


FIG 1

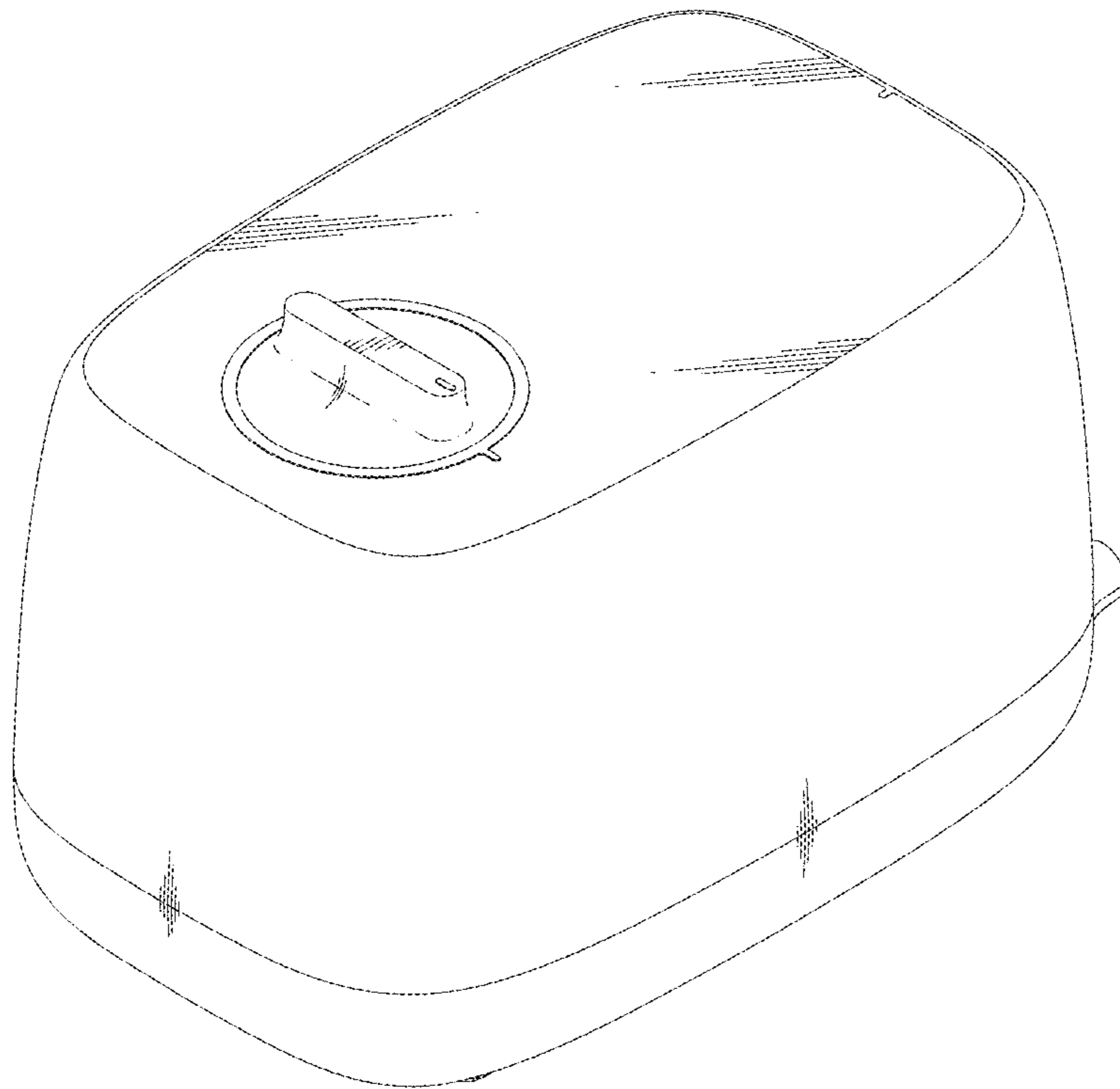


FIG 2

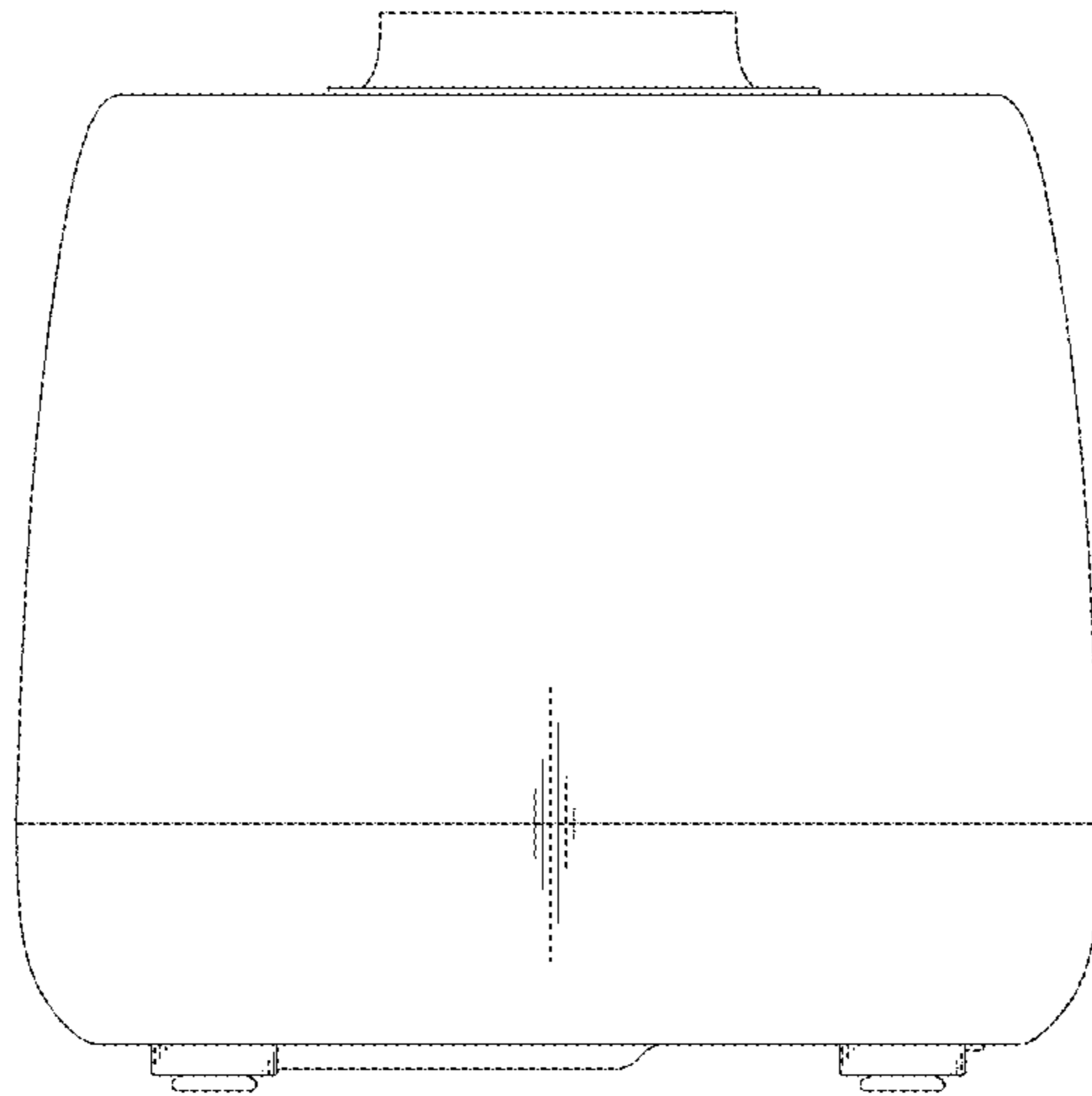


FIG 3

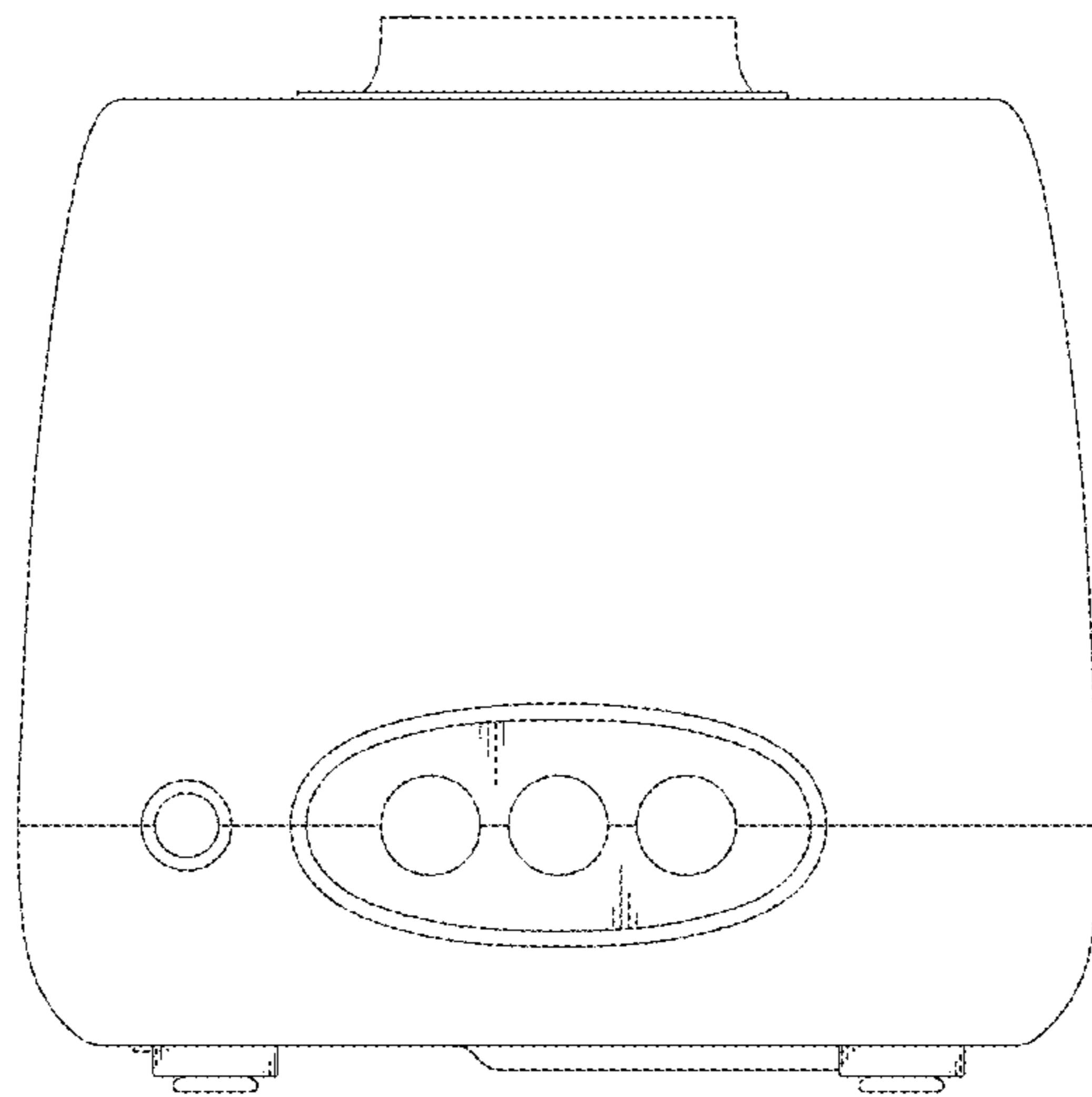


FIG 4

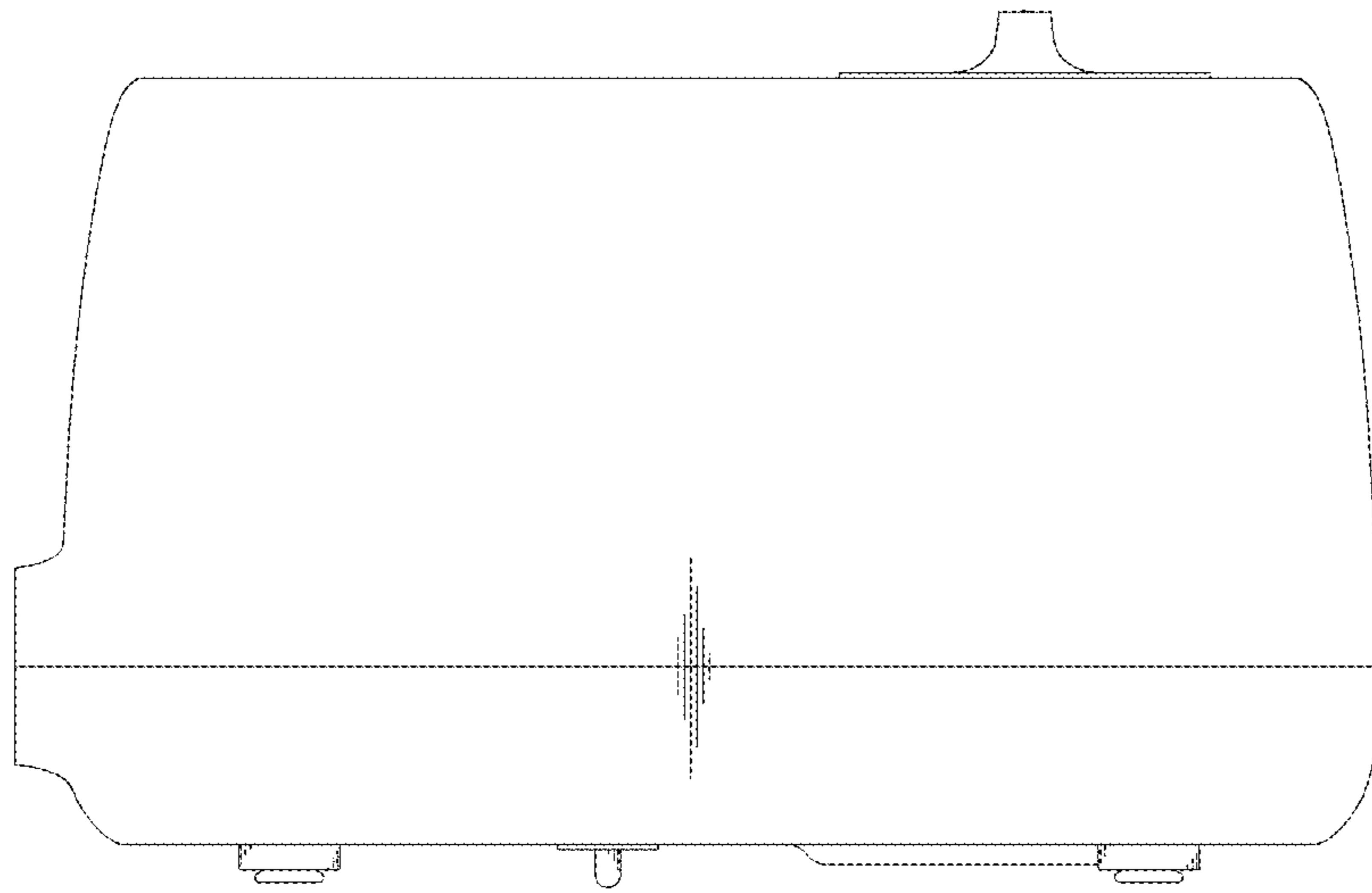


FIG 5

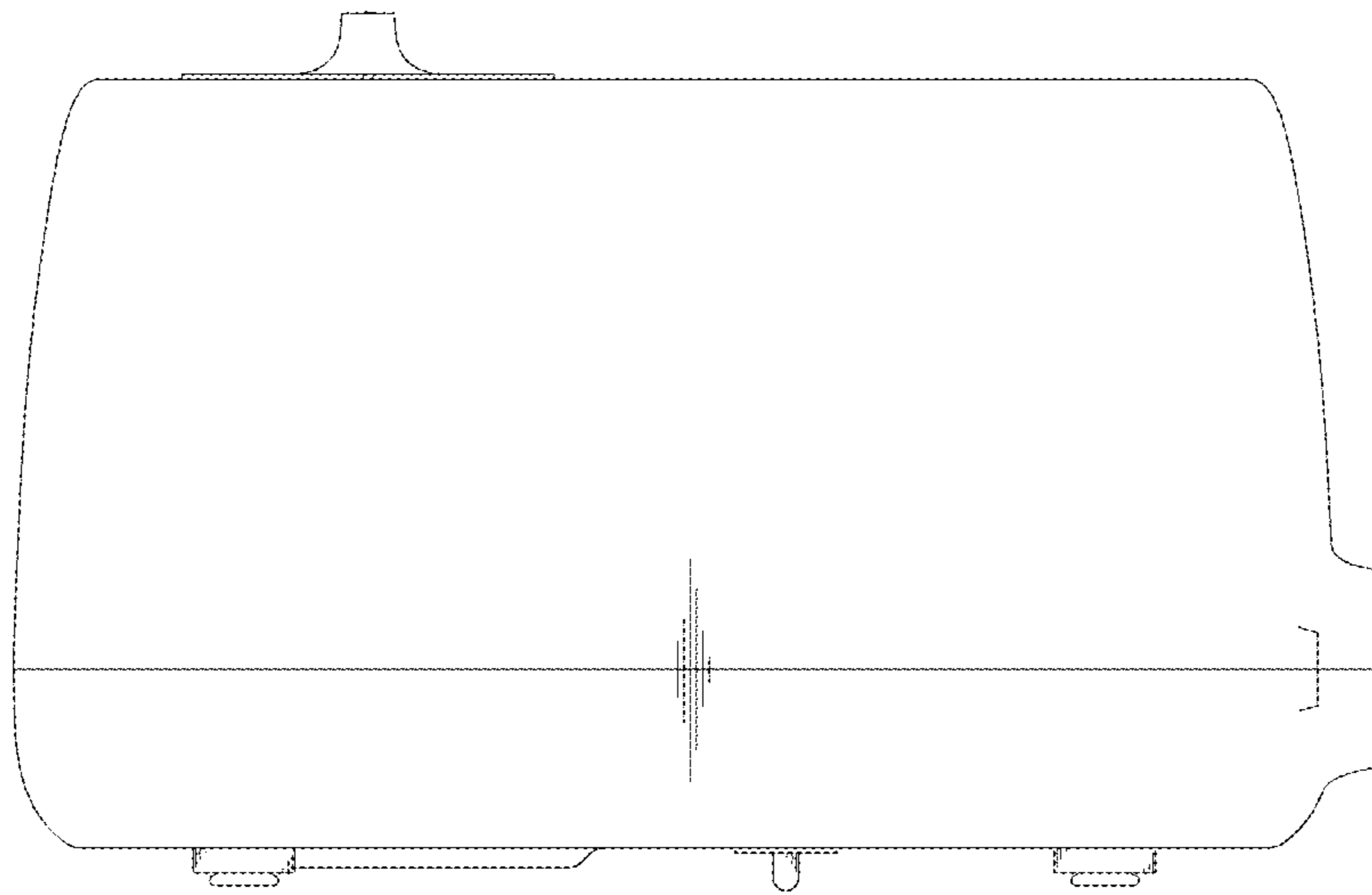


FIG 6

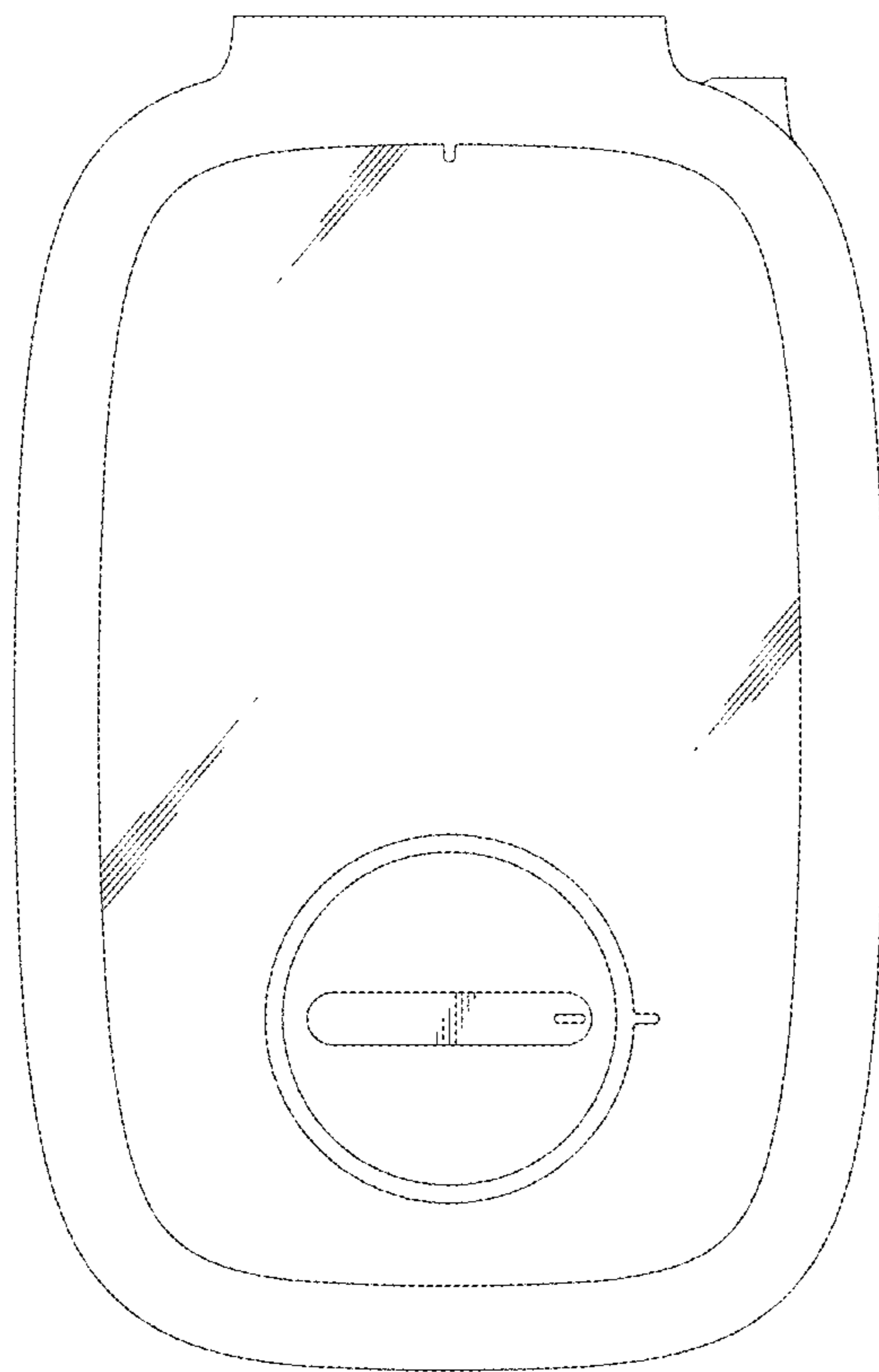


FIG 7

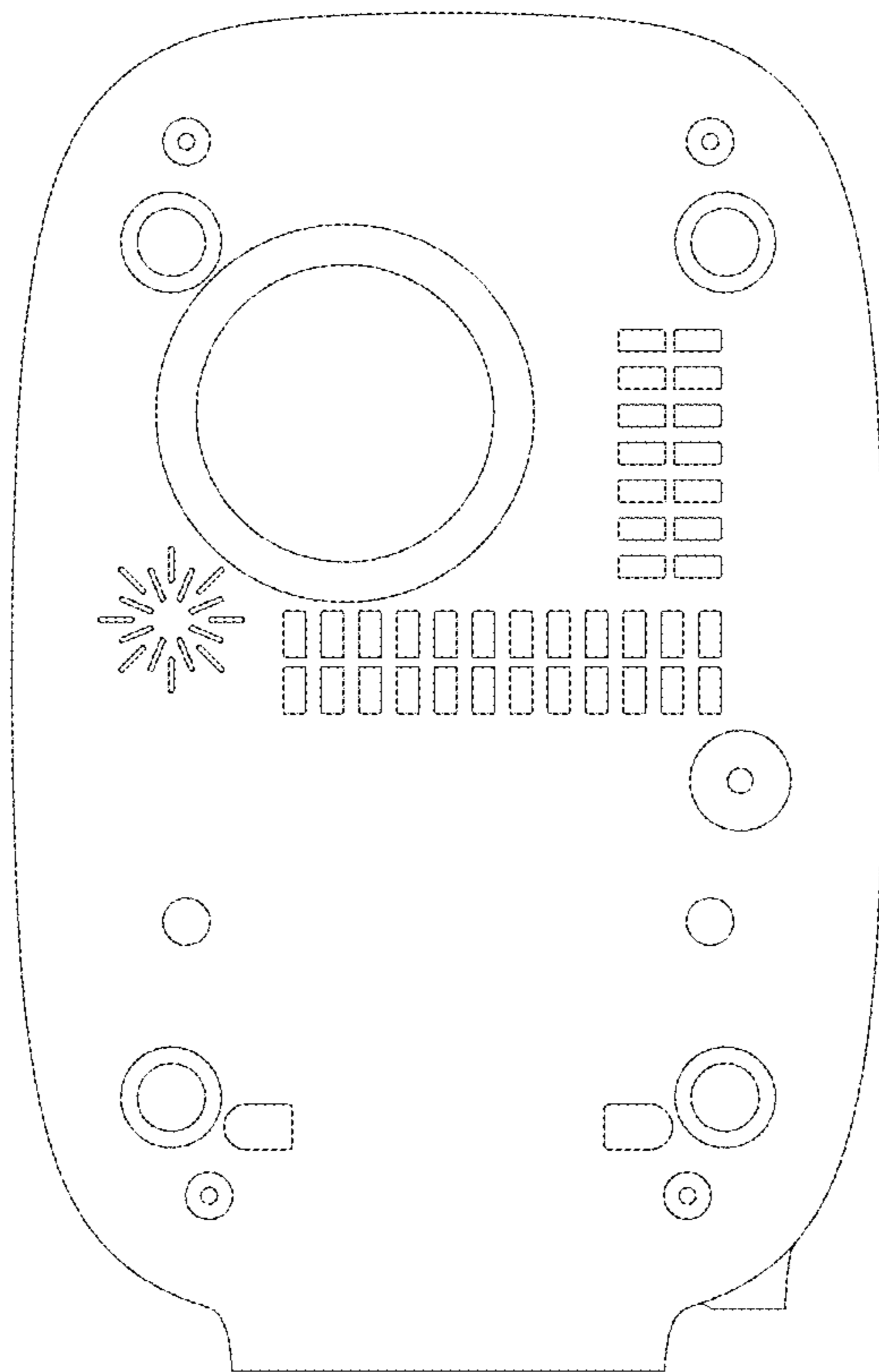


FIG 8

