



US00D896932S

(12) **United States Design Patent**
Staudinger

(10) **Patent No.:** **US D896,932 S**
(45) **Date of Patent:** **** Sep. 22, 2020**

(54) **BATHTUB STEP**

(71) Applicant: **Herbert Staudinger**, Newmarket (CA)

(72) Inventor: **Herbert Staudinger**, Newmarket (CA)

(**) Term: **15 Years**

(21) Appl. No.: **29/631,226**

(22) Filed: **Dec. 28, 2017**

(30) **Foreign Application Priority Data**

Nov. 29, 2017 (CA) 178365

(51) **LOC (12) Cl.** **23-02**

(52) **U.S. Cl.**

USPC **D23/305**

(58) **Field of Classification Search**

USPC D23/277, 275, 303, 304, 305, 306, 499;
D24/204, 205; D6/524, 525, 349, 350,
(Continued)

(56) **References Cited**

U.S. PATENT DOCUMENTS

D118,014 S * 12/1939 Grimm D23/277
D156,324 S * 12/1949 Dastugue D6/349
(Continued)

OTHER PUBLICATIONS

Amazon, Ugreen Car Phone Holder, posted Apr. 21, 2016, [online],
[visited Jul. 26, 2019]. Internet, URL: https://www.amazon.co.uk/Holders-UGREEN-Rotation-iPhone-Oneplus-black/dp/B01AOV4UXC/ref=olp_product_details?_encoding=UTF8&me= (Year: 2016).*

(Continued)

Primary Examiner — Sheryl Lane
Assistant Examiner — Samantha N Wood

(74) *Attorney, Agent, or Firm* — Blue Filament Law
PLLC

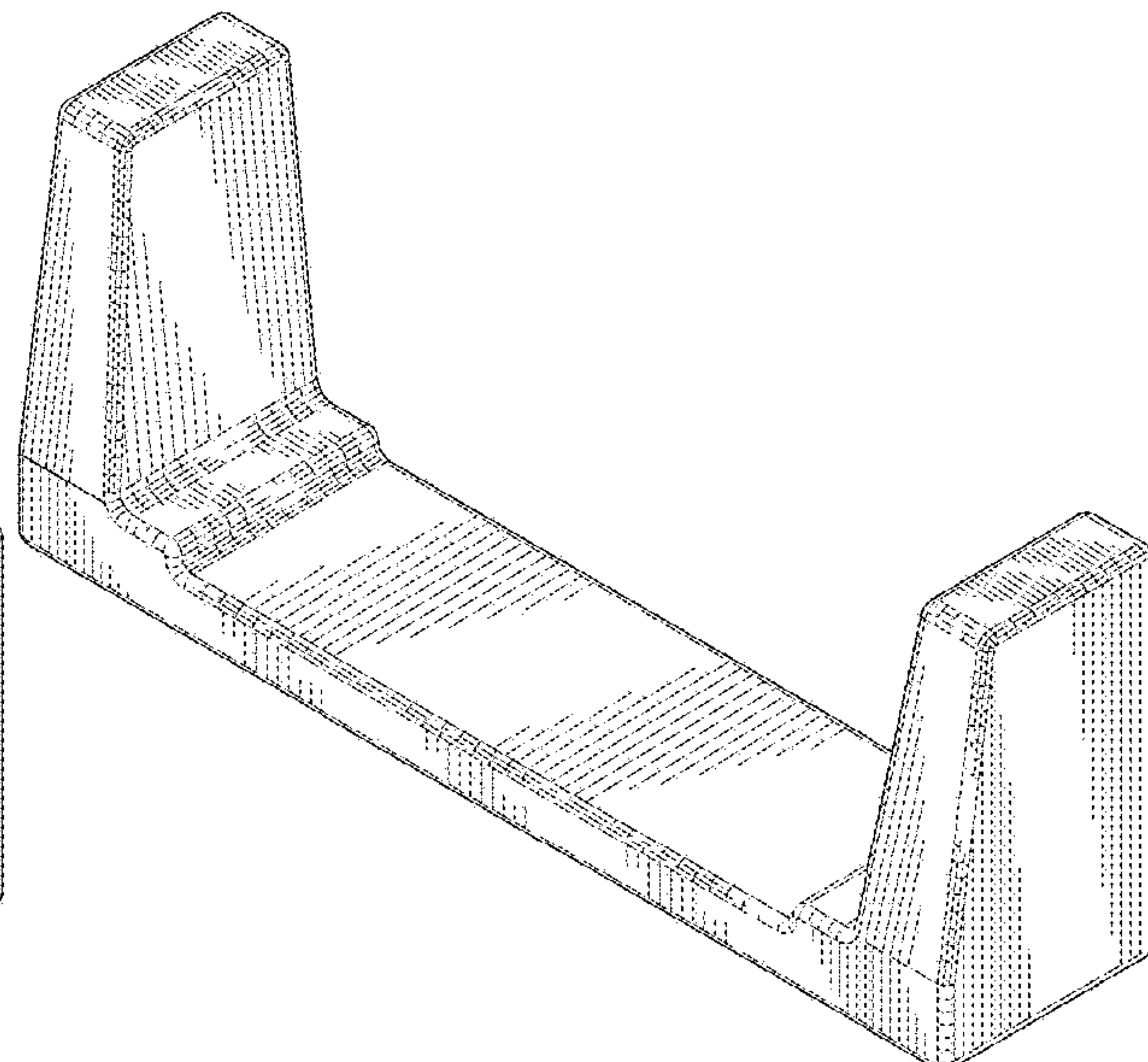
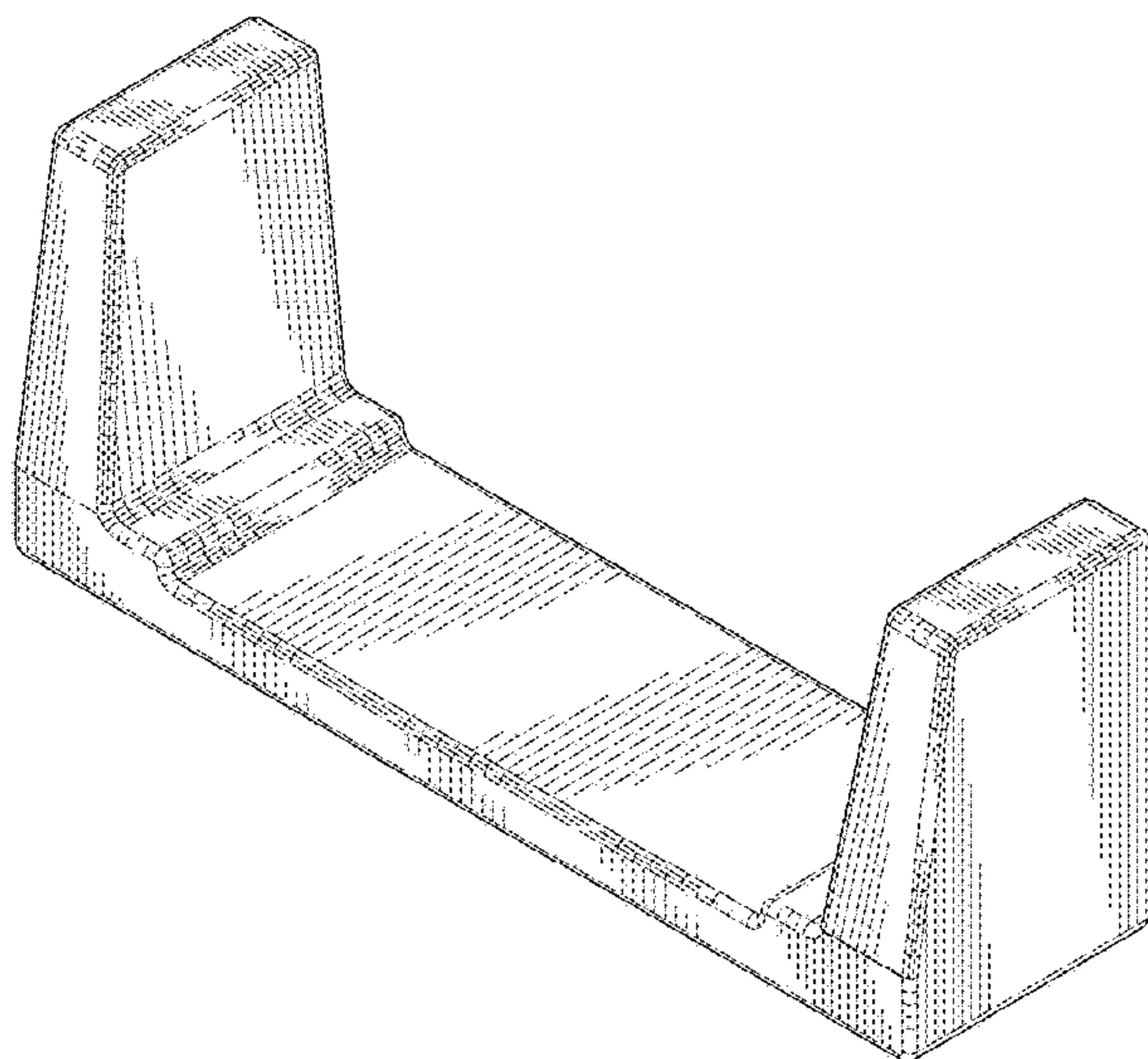
(57) **CLAIM**

The ornamental design for a bathtub step, as shown and
described.

DESCRIPTION

FIG. 1 is a front, right top perspective view of the bathtub
step of the first variant;
FIG. 2 is a rear, top, right perspective view of the bathtub
step of the first variant;
FIG. 3 is a top view of the bathtub step of the first variant;
FIG. 4 is a bottom view of the bathtub step of the first
variant;
FIG. 5 is a front view of the bathtub step of the first variant;
FIG. 6 is a rear view of the bathtub step of the first variant;
FIG. 7 is a left side view of the bathtub step of the first
variant;
FIG. 8 is a right-side view of the bathtub step of the first
variant;
FIG. 9 is a front, right top perspective view of the bathtub
step of the second variant;
FIG. 10 is a rear, top, right perspective view of the bathtub
step of the second variant;
FIG. 11 is a top view of the bathtub step of the second
variant;
FIG. 12 is a bottom view of the bathtub step of the second
variant;
FIG. 13 is a front view of the bathtub step of the second
variant;
FIG. 14 is a rear view of the bathtub step of the second
variant;
FIG. 15 is a left side view of the bathtub step of the second
variant; and,
FIG. 16 is a right-side view of the bathtub step of the second
variant.

1 Claim, 8 Drawing Sheets



(58) **Field of Classification Search**

USPC D6/354, 355; D25/62, 63, 64, 65, 68, 69;
D10/87; D8/349, 382, 394, 395
CPC A47K 3/001; A47K 3/003; A47K 3/006;
A47K 3/122; A47K 3/004; A47K 17/02

See application file for complete search history.

(56) **References Cited**

U.S. PATENT DOCUMENTS

D381,338 S * 7/1997 Johansson D14/253
6,061,846 A 5/2000 Peterson
6,212,704 B1 4/2001 Peterson
6,272,698 B1 8/2001 Stafford
D663,492 S * 7/2012 Haaf D30/160
8,230,568 B2 * 7/2012 Stafford A47K 3/001
29/401.1

8,505,128 B2 * 8/2013 Staudinger A47K 3/006
4/538
D815,847 S * 4/2018 Vincent D6/349
2011/0099787 A1 * 5/2011 Stafford A47K 3/001
29/428

OTHER PUBLICATIONS

Amazon, Belkin Car Phone Holder, posted Oct. 3, 2014, [online],
[visited Jul. 26, 2019]. Internet, URL: https://www.amazon.co.uk/Belkin-Rotating-Universal-Samsung-Smartphone-Black-Silver/dp/B00O5JARCI/ref=olp_product_details?_encoding=UTF8&me= (Year: 2014).*

Hawaii Renovation, Bask in a multitude of bathroom, tub solutions, posted Jul. 23, 2017, [online], [visited Jul. 26, 2019]. Internet, URL: <http://hawaii renovation.staradvertiser.com/2017/07/interior/bask-multitude-bathroom-tub-solutions/> (Year: 2017).*

Youtube, Safeway Step Bathtub Accessibility Modification, posted Aug. 18, 2009, [online], [visited Jul. 26, 2019]. Internet, URL: <https://www.youtube.com/watch?v=8EkFVOHKhLo> (Year: 2009).*

* cited by examiner

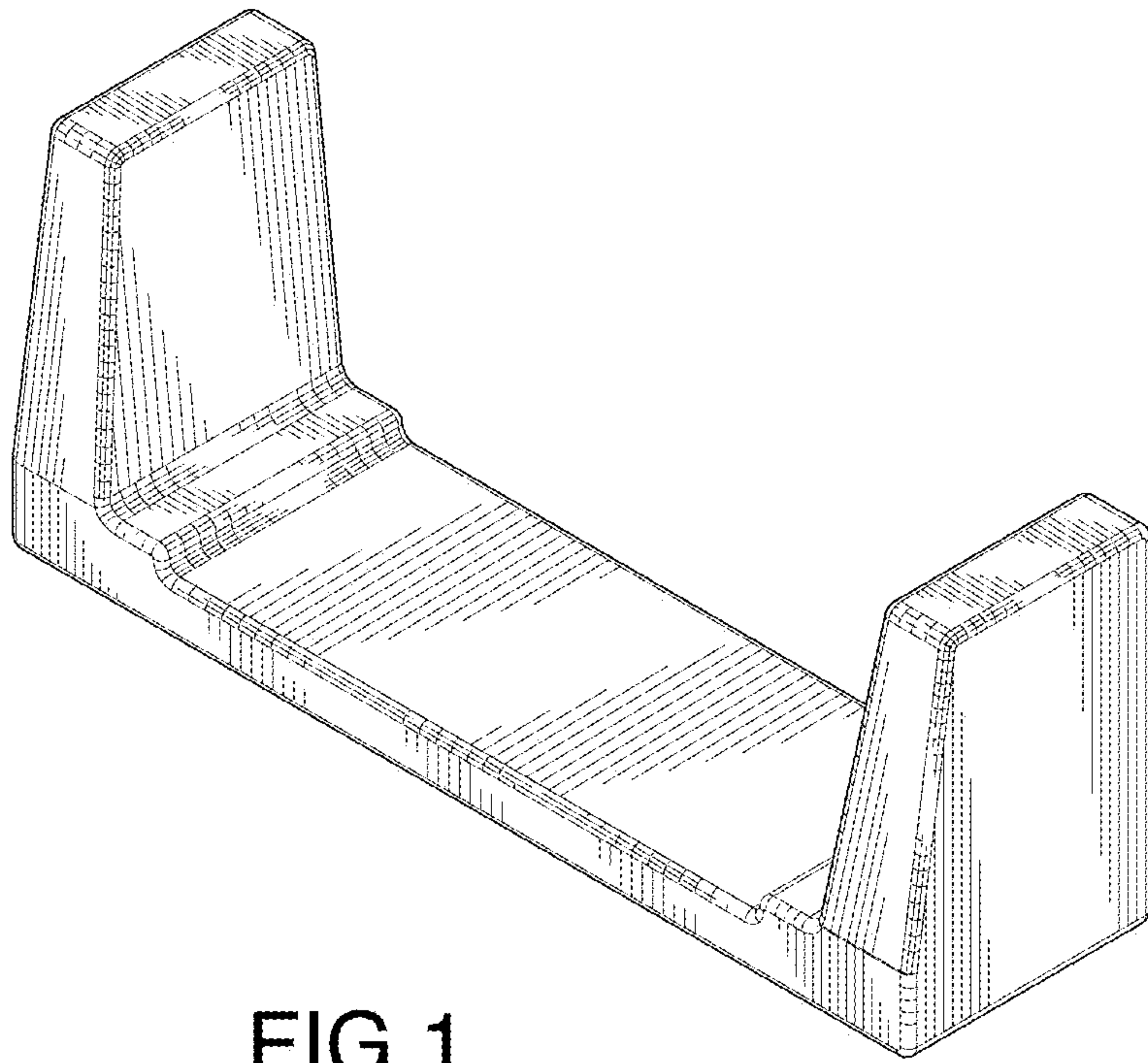


FIG. 1

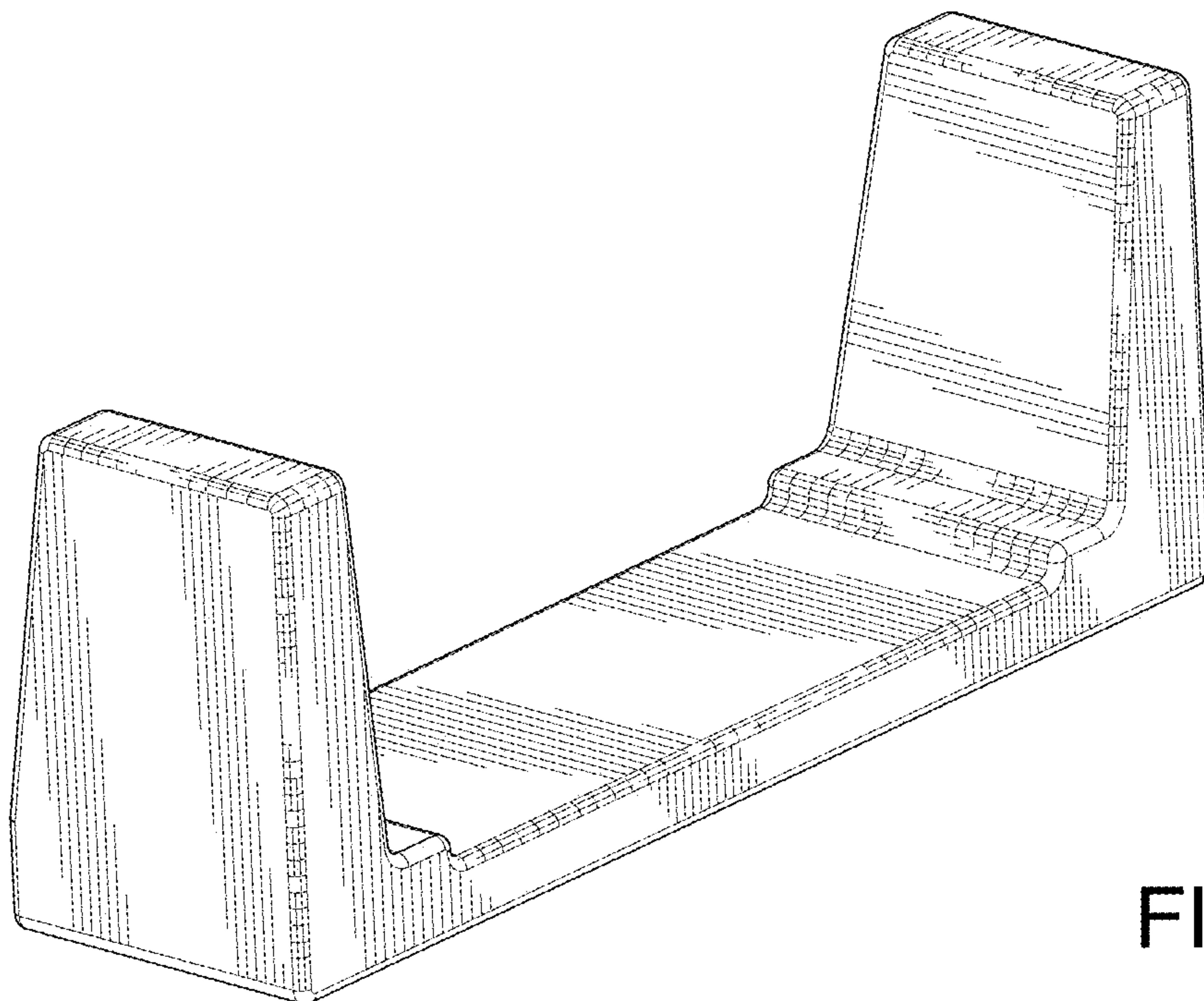


FIG. 2

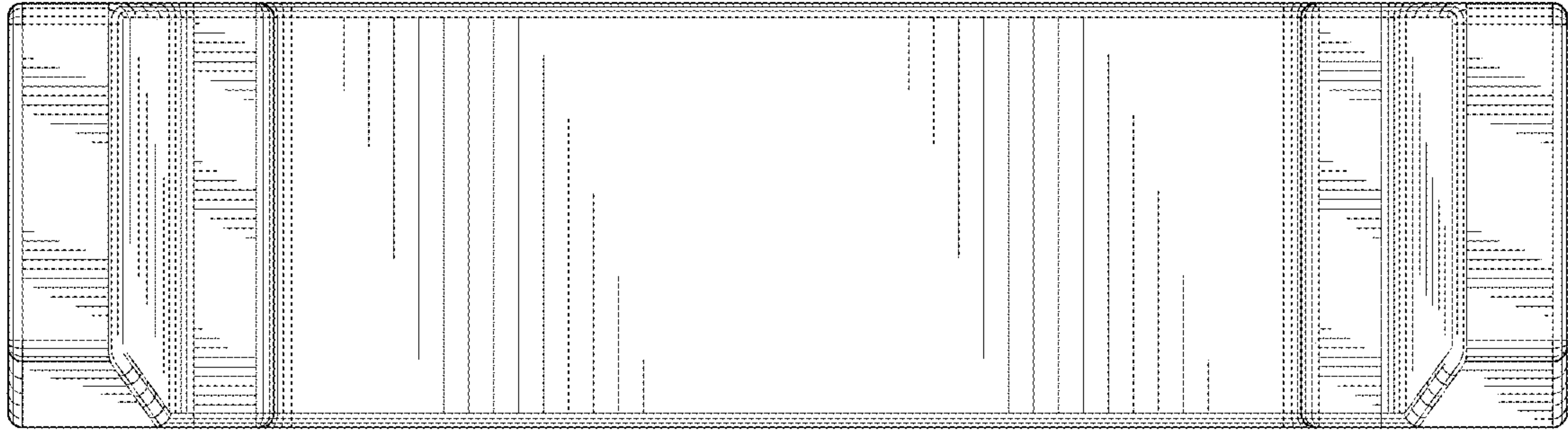


FIG.3

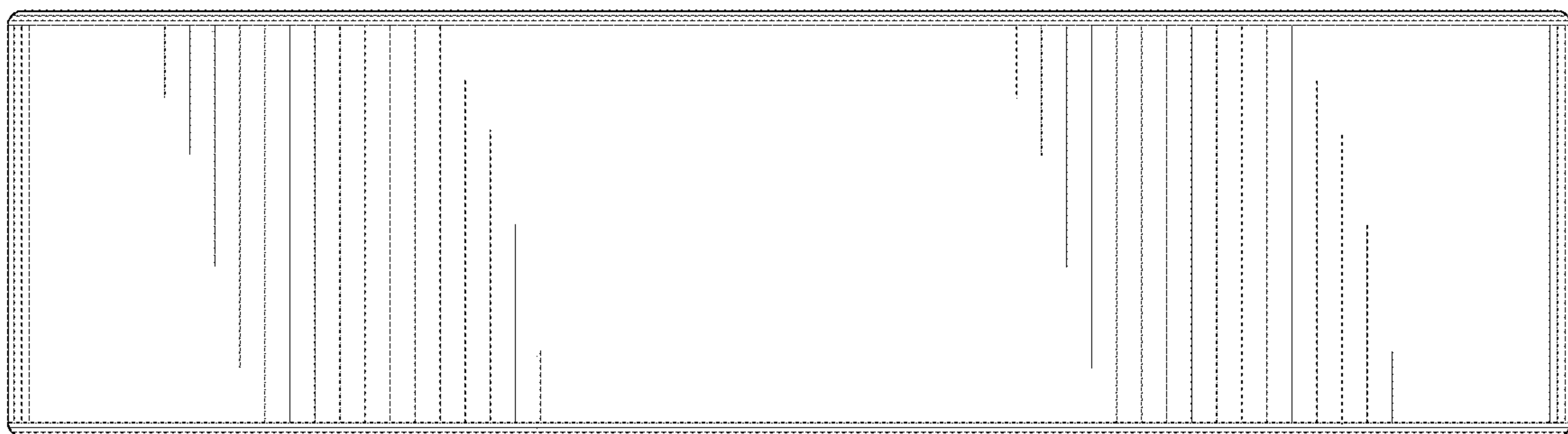


FIG.4

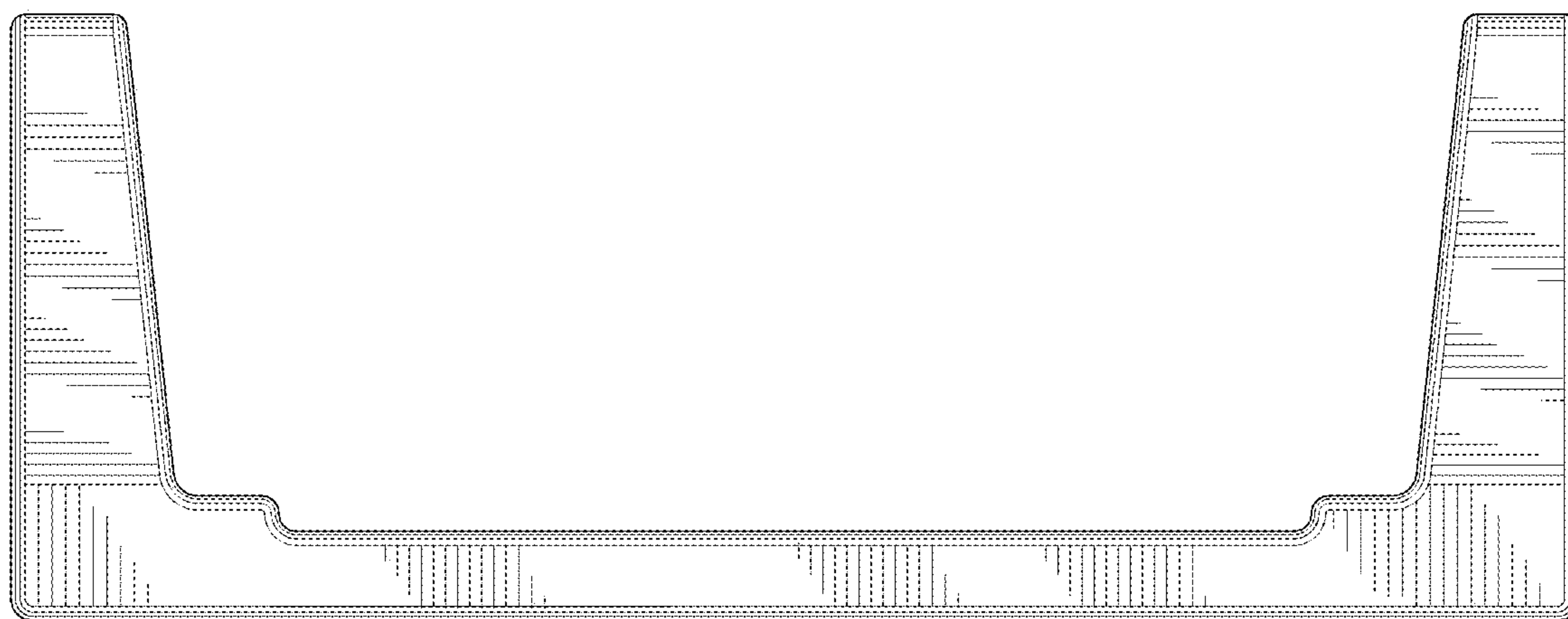


FIG. 5

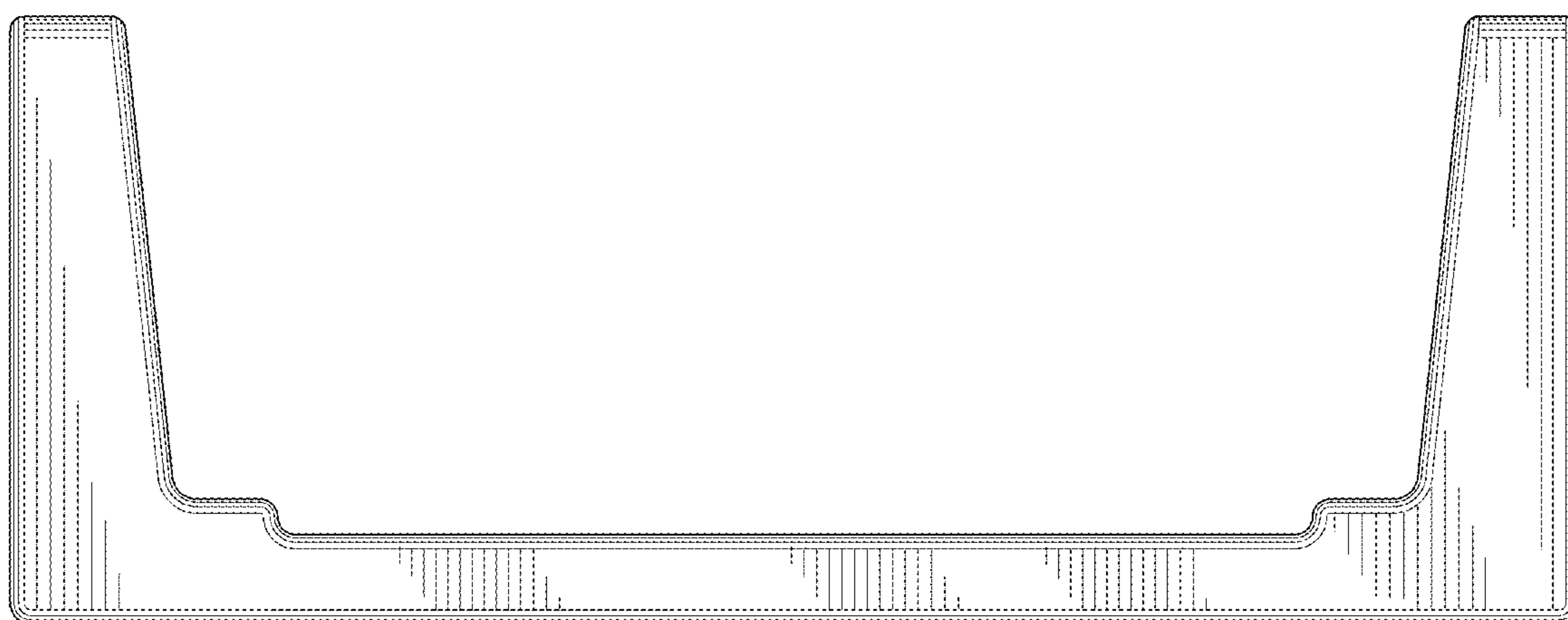


FIG. 6

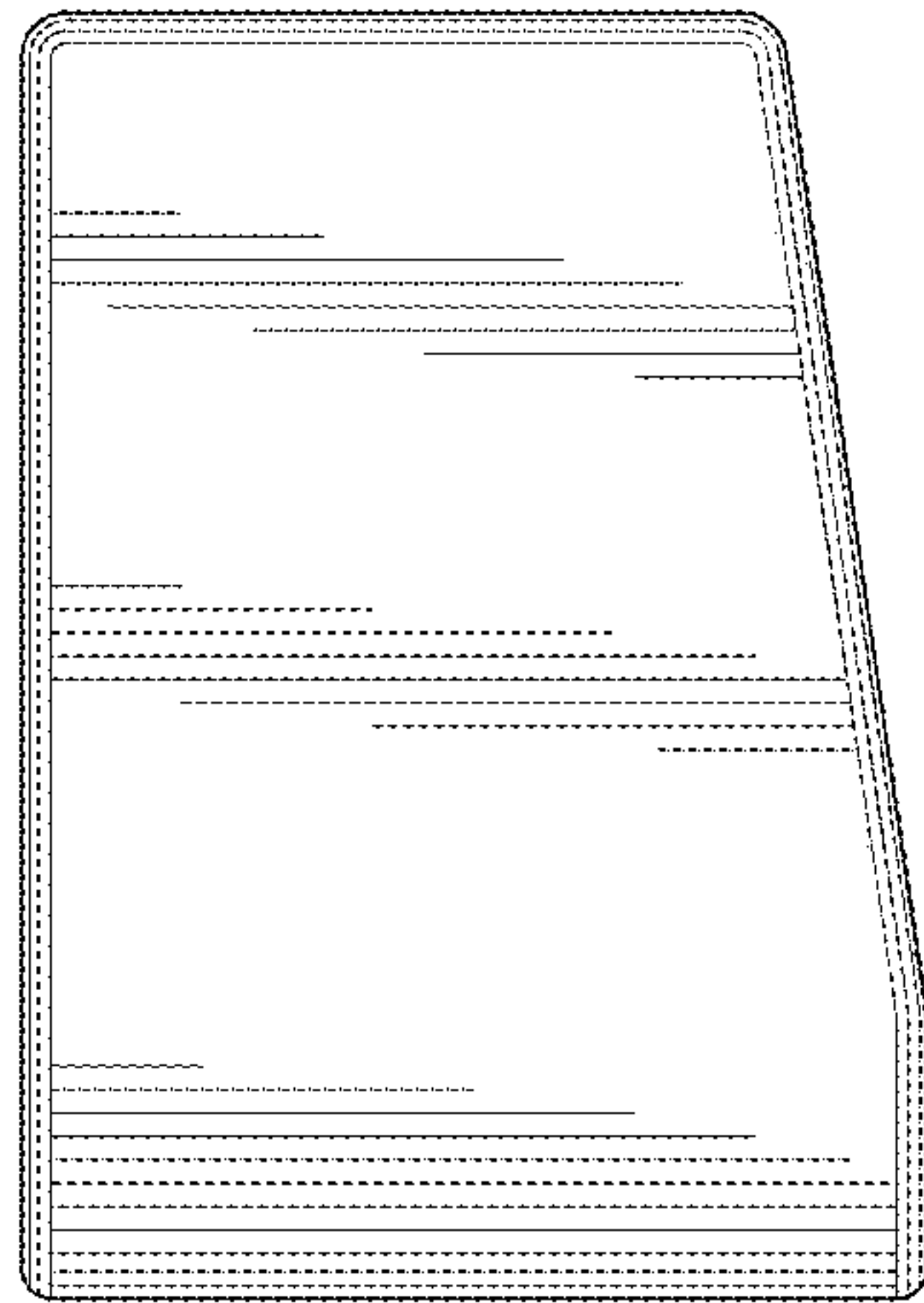


FIG. 7

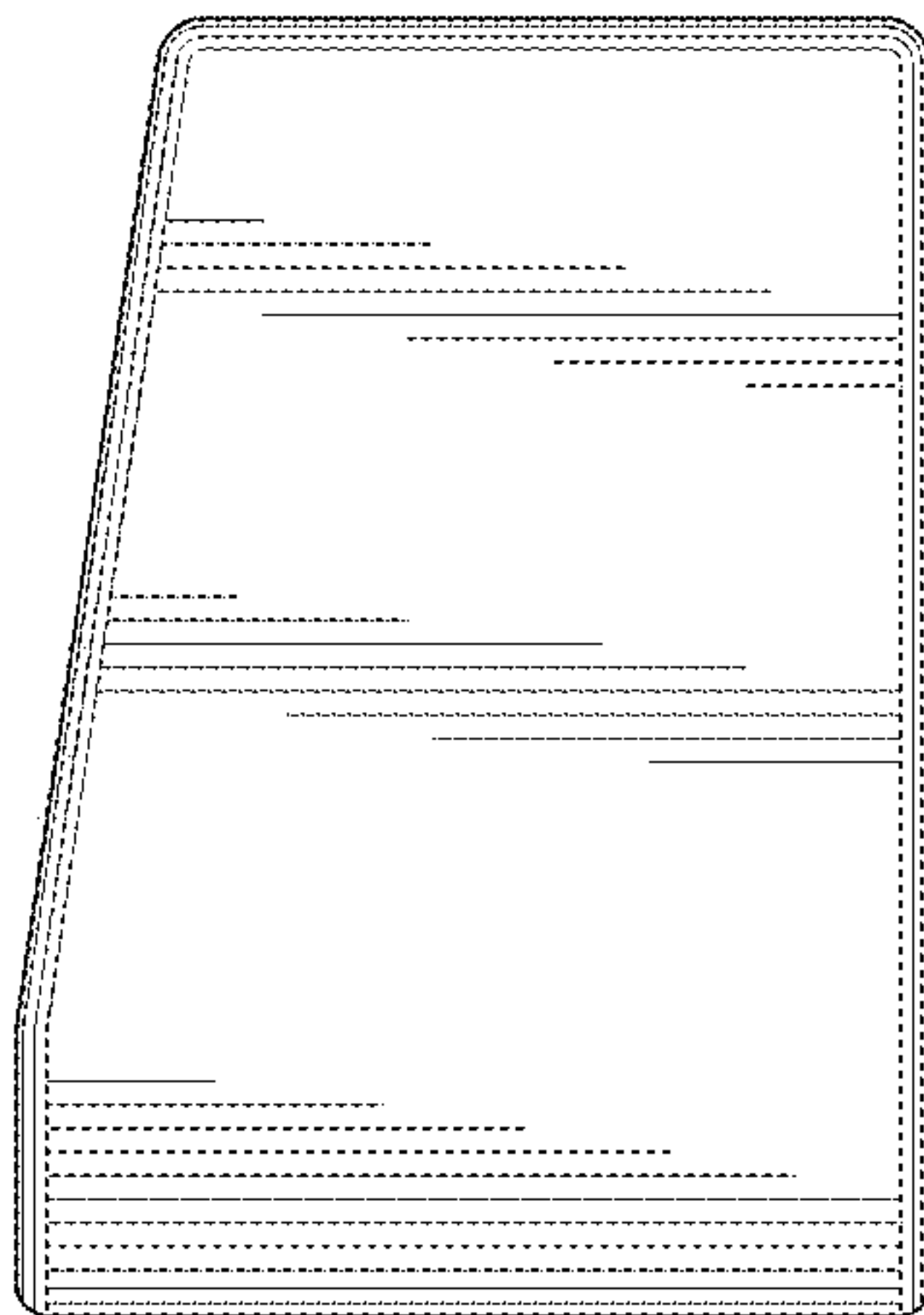


FIG. 8

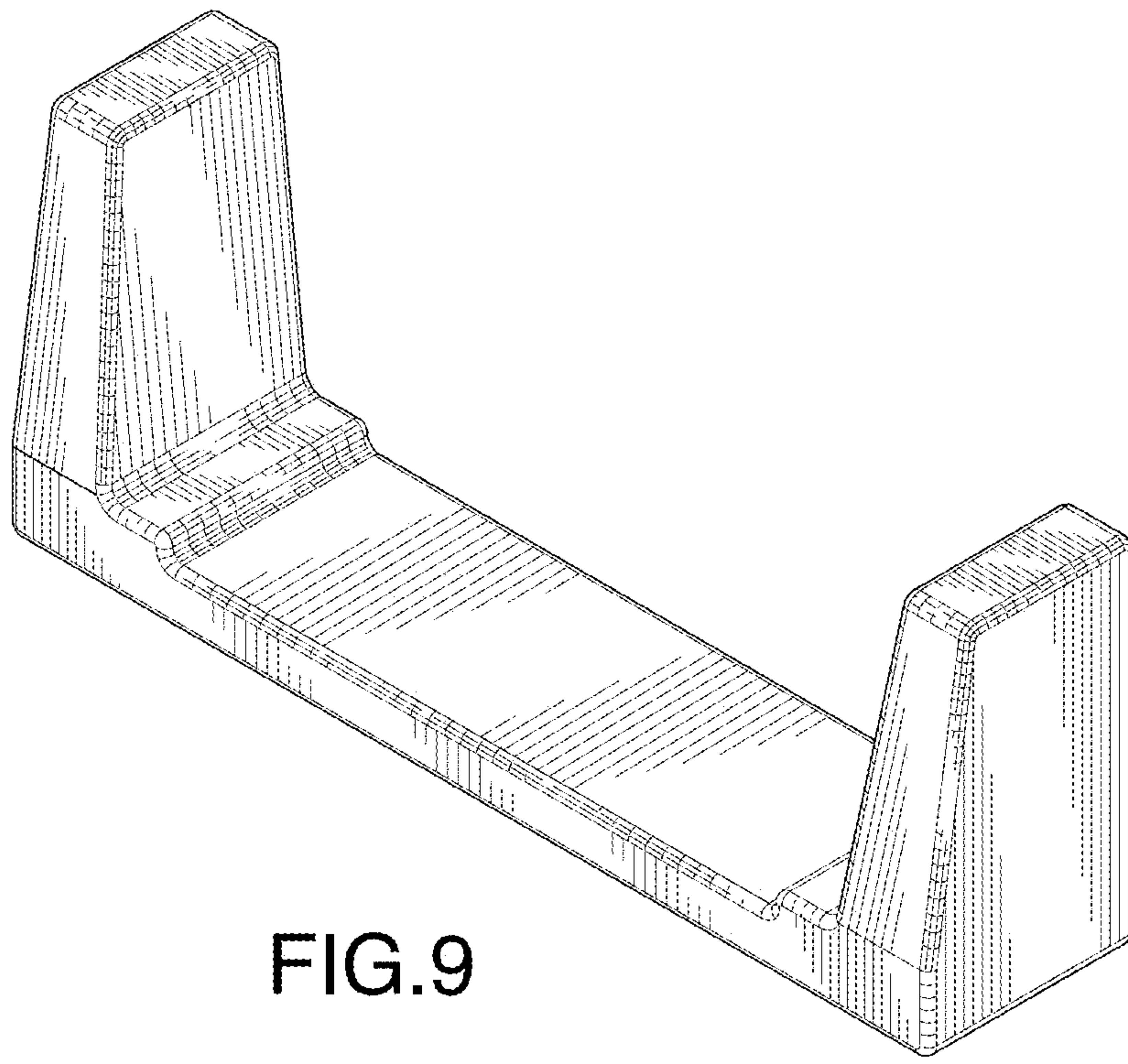


FIG. 9

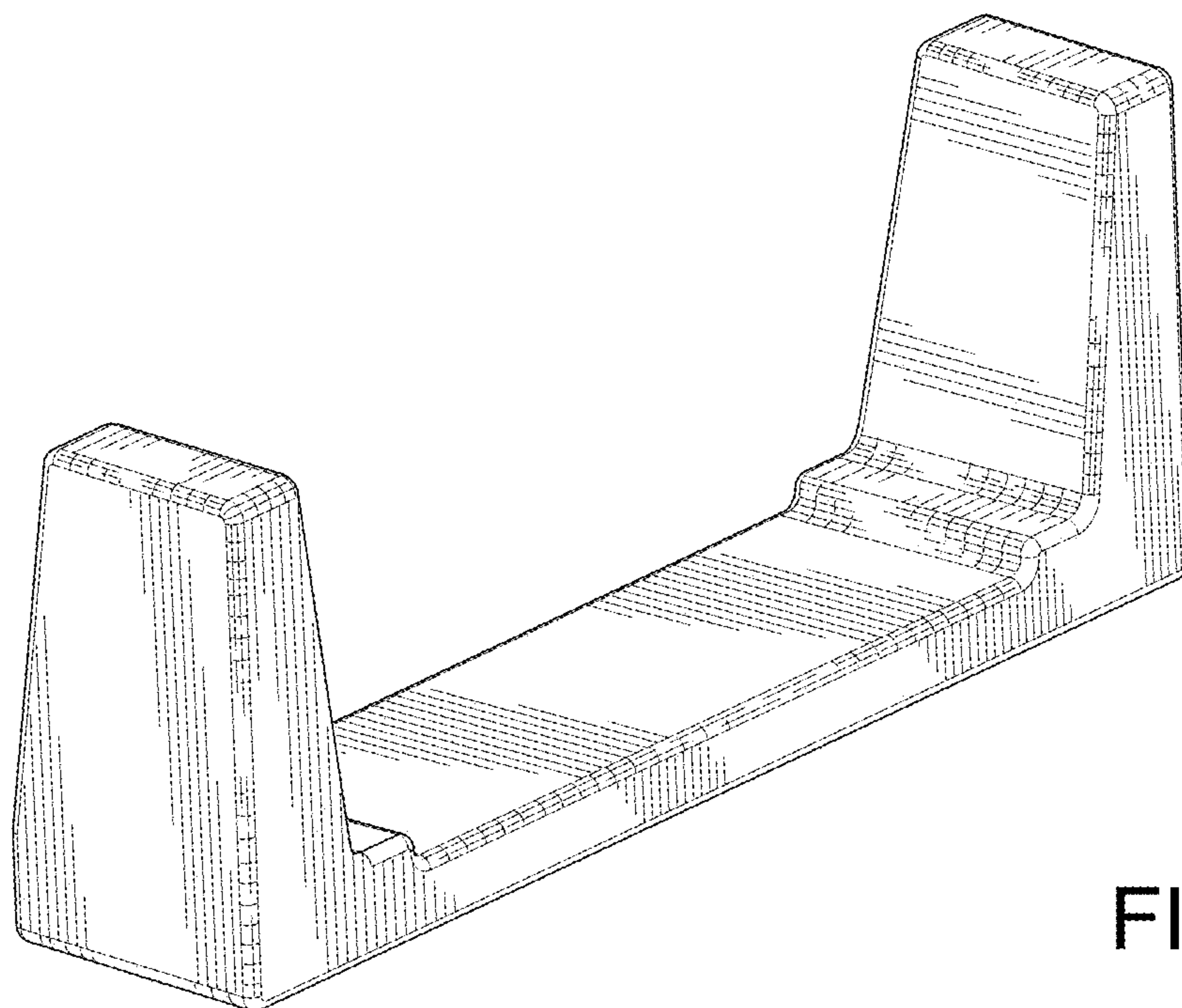


FIG. 10

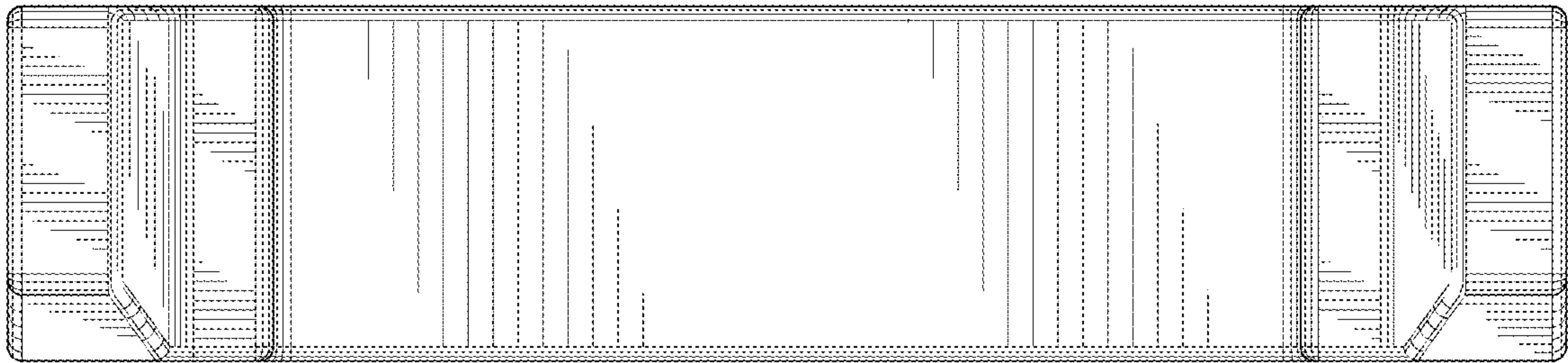


FIG.11

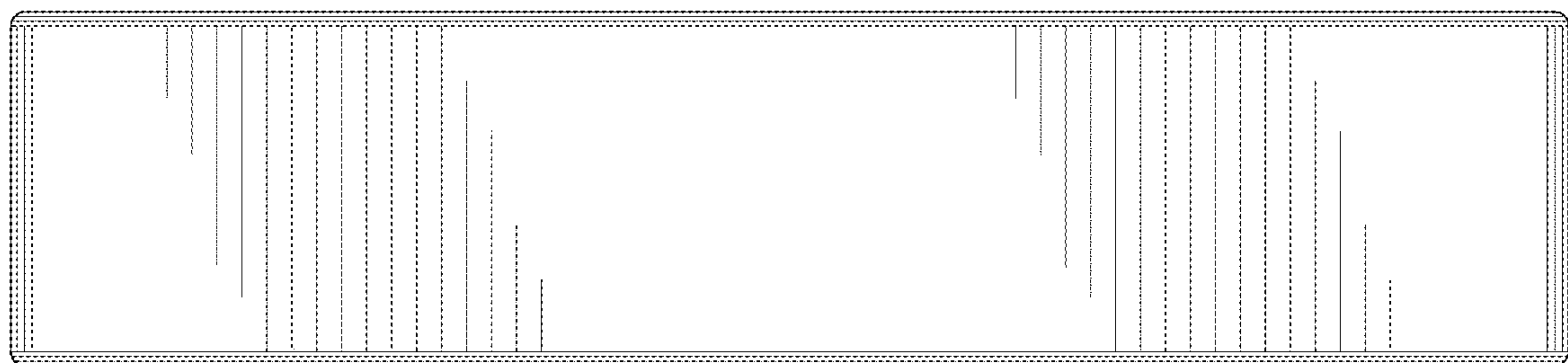


FIG.12

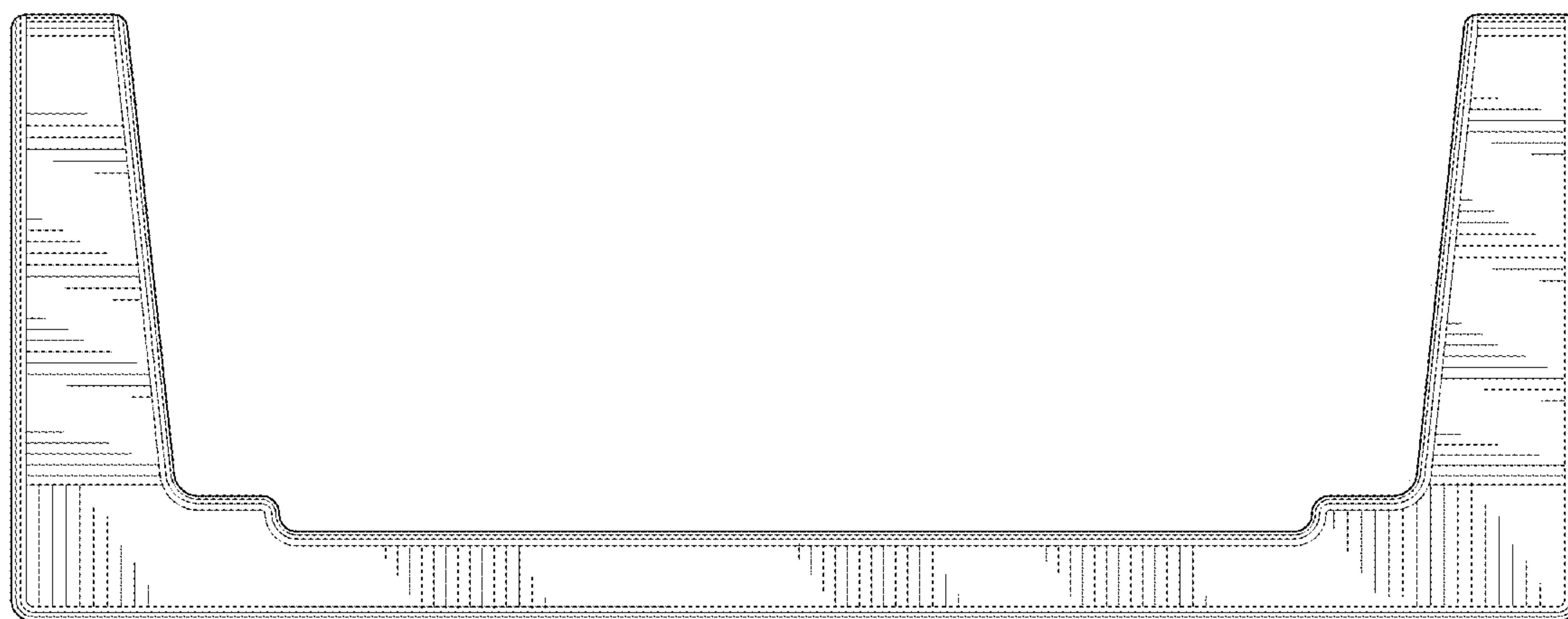


FIG. 13

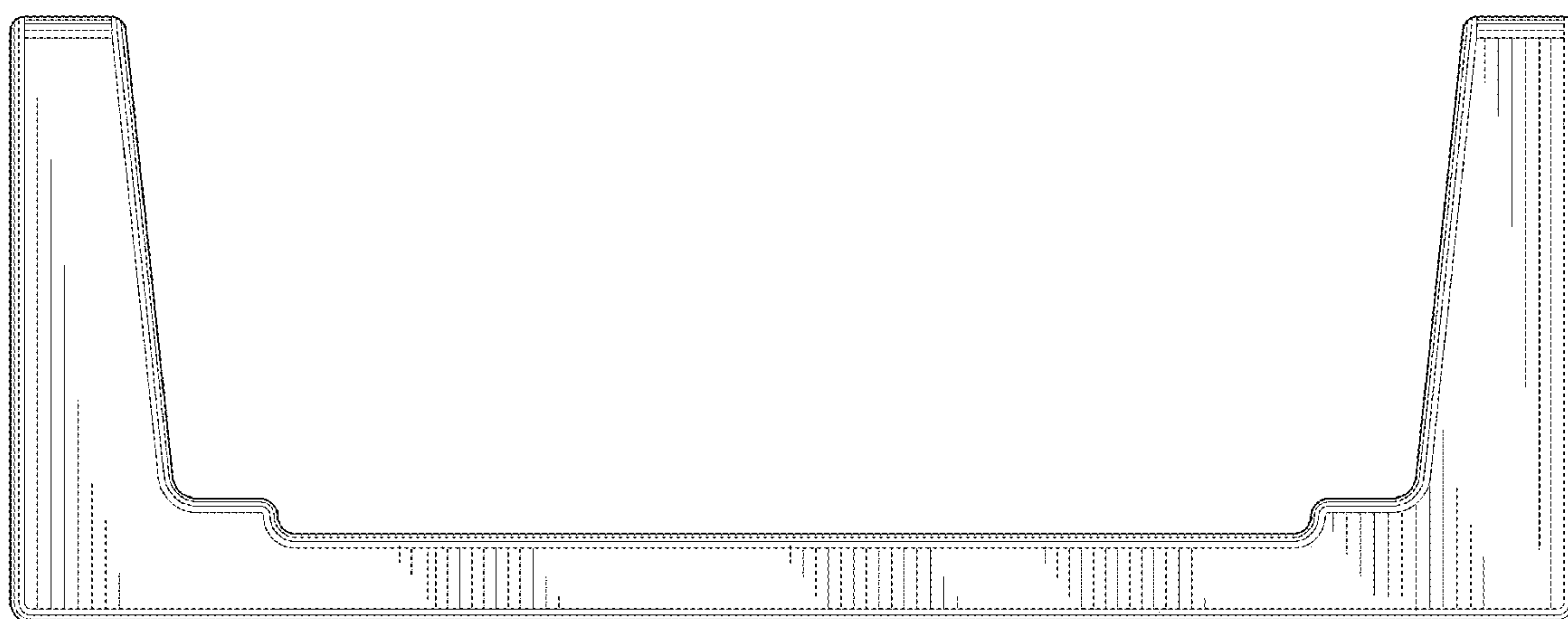


FIG. 14

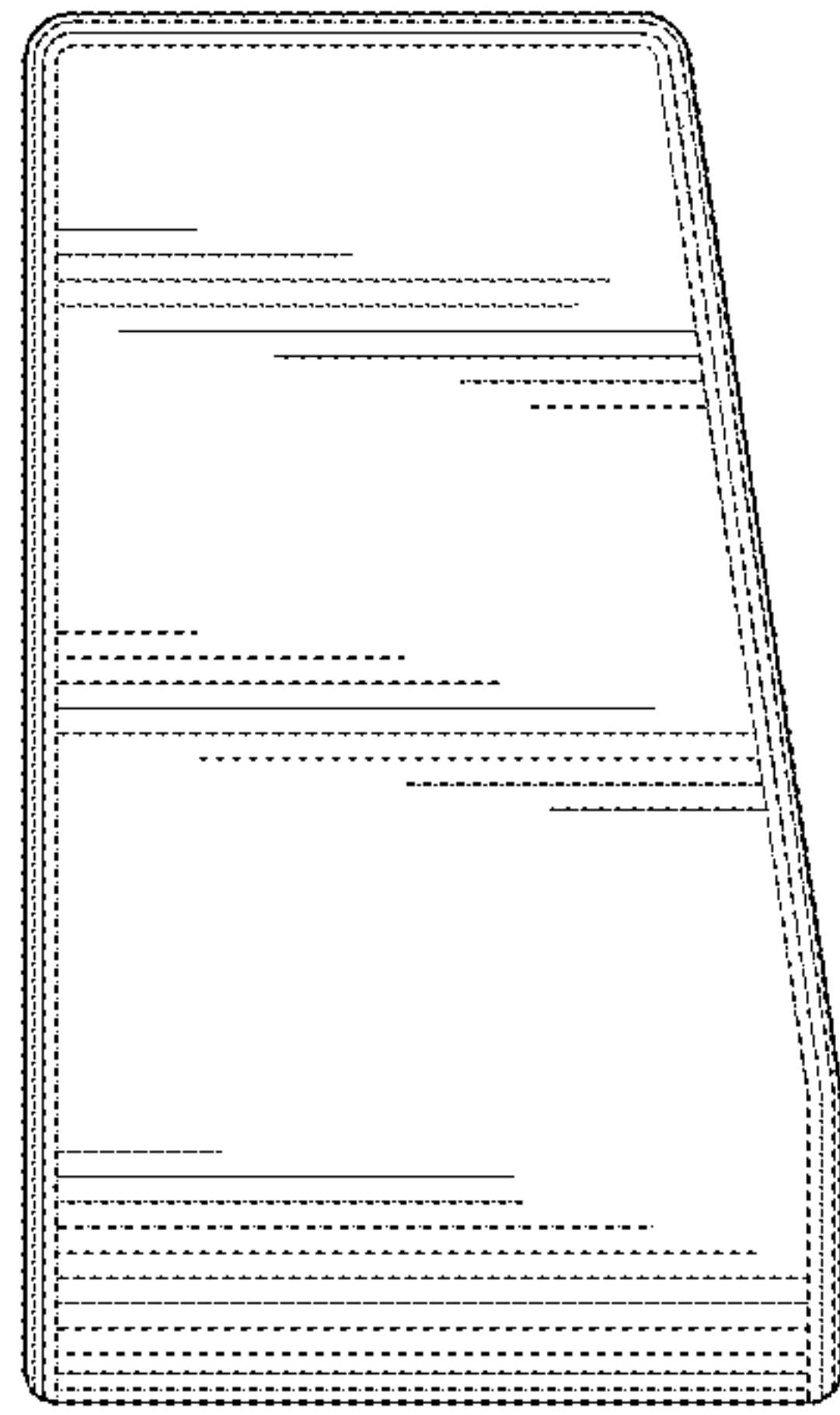


FIG.15

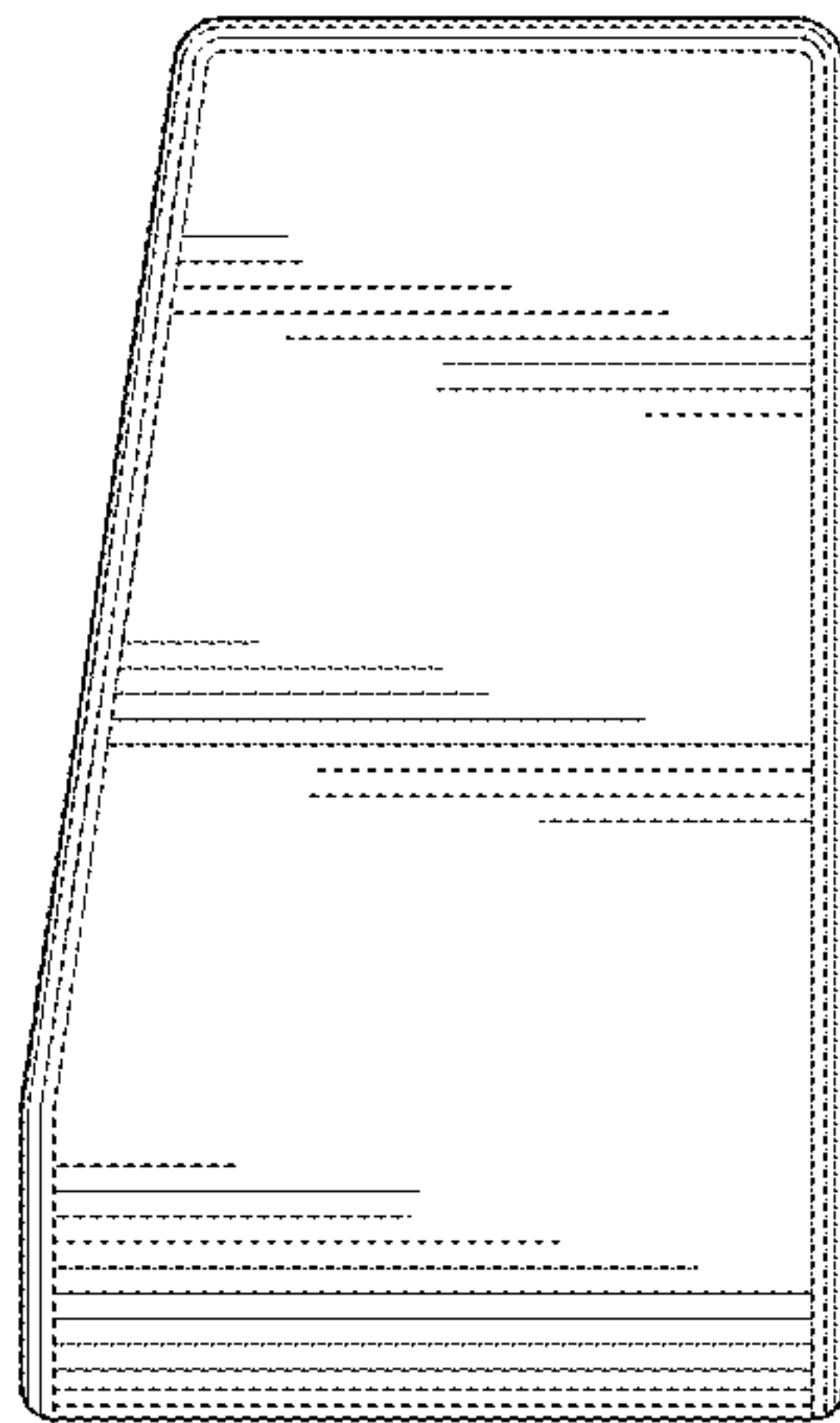


FIG.16