



US00D896931S

(12) **United States Design Patent**  
**Flowers et al.**

(10) **Patent No.:** **US D896,931 S**

(45) **Date of Patent:** **\*\* Sep. 22, 2020**

(54) **CERAMIC SINK**

Mar. 9, 2015 (EM) ..... 002649046-0029

Mar. 9, 2015 (EM) ..... 002649046-0030

(Continued)

(71) Applicant: **Grohe AG**, Hemer (DE)

(72) Inventors: **Paul Flowers**, London (GB);  
**Alessandra De Simone**, Duesseldorf (DE);  
**Duarte Salvador**, Duesseldorf (DE);  
**Jochen Allard**, Menden (DE);  
**Patrick De Arins Speck**, Curitiba-PR (BR);  
**Hans Lobermeier**, Menden (DE);  
**Antoine Besseyre Des Horts**, Meerbusch (DE)

(51) **LOC (12) Cl.** ..... **23-01**

(52) **U.S. Cl.**  
USPC ..... **D23/284**

(58) **Field of Classification Search**  
USPC ..... D23/284, 286–287, 292–293.1, 308,  
D23/285–286, 303

See application file for complete search history.

(73) Assignee: **Grohe AG**, Hemer (DE)

(56) **References Cited**

U.S. PATENT DOCUMENTS

(\*\*) Term: **15 Years**

D630,716 S \* 1/2011 Thomas ..... D23/293.1

D659,227 S \* 5/2012 Thomas ..... D23/292

(Continued)

(21) Appl. No.: **29/719,734**

(22) Filed: **Jan. 7, 2020**

*Primary Examiner* — Robert A Delehanty

(74) *Attorney, Agent, or Firm* — Muncy, Geissler, Olds & Lowe, P.C.

**Related U.S. Application Data**

(63) Continuation of application No. 29/706,139, filed on Sep. 18, 2019, now Pat. No. Des. 875,903, which is (Continued)

(57) **CLAIM**

The ornamental design for a ceramic sink, as shown and described.

(30) **Foreign Application Priority Data**

**DESCRIPTION**

Mar. 9, 2015	(EM) .....	002649046-0001
Mar. 9, 2015	(EM) .....	002649046-0003
Mar. 9, 2015	(EM) .....	002649046-0004
Mar. 9, 2015	(EM) .....	002649046-0007
Mar. 9, 2015	(EM) .....	002649046-0010
Mar. 9, 2015	(EM) .....	002649046-0011
Mar. 9, 2015	(EM) .....	002649046-0012
Mar. 9, 2015	(EM) .....	002649046-0013
Mar. 9, 2015	(EM) .....	002649046-0015
Mar. 9, 2015	(EM) .....	002649046-0016
Mar. 9, 2015	(EM) .....	002649046-0021
Mar. 9, 2015	(EM) .....	002649046-0022
Mar. 9, 2015	(EM) .....	002649046-0023
Mar. 9, 2015	(EM) .....	002649046-0027

FIG. 1 is a front perspective view of a ceramic sink according to the present invention.

FIG. 2 is a left side view of the ceramic sink of FIG. 1.

FIG. 3 is a right side view of the ceramic sink of FIG. 1.

FIG. 4 is a top view of the ceramic sink of FIG. 1.

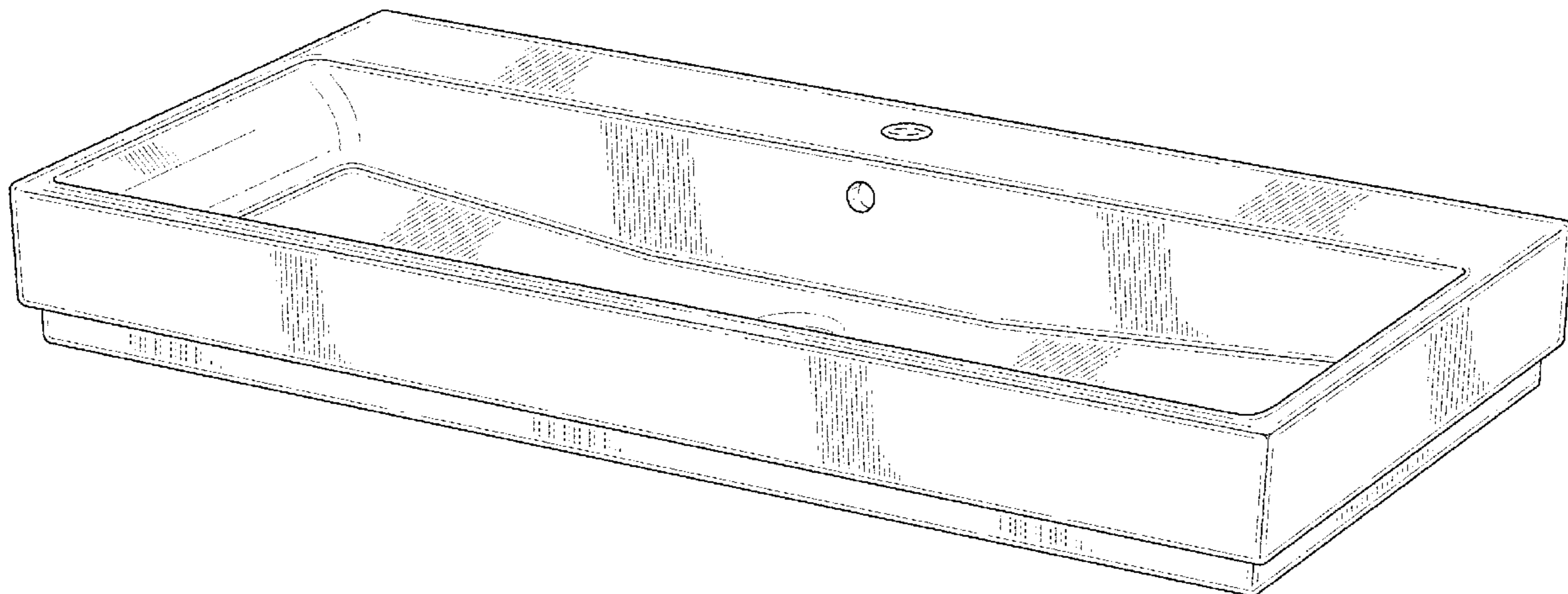
FIG. 5 is a bottom view of the ceramic sink of FIG. 1.

FIG. 6 is a front view of the ceramic sink of FIG. 1; and,

FIG. 7 is a rear view of the ceramic sink of FIG. 1.

The dashed lines illustrate environment that does not form a part of the present invention, and no claim is made to the material illustrated with dashed lines.

**1 Claim, 7 Drawing Sheets**



**Related U.S. Application Data**

a continuation of application No. 29/679,571, filed on Feb. 7, 2019, now Pat. No. Des. 866,725, which is a continuation of application No. 29/625,115, filed on Nov. 7, 2017, now Pat. No. Des. 846,101, which is a continuation of application No. 29/590,354, filed on Jan. 10, 2017, now Pat. No. Des. 806,216, which is a continuation of application No. 29/567,807, filed on Jun. 13, 2016, now Pat. No. Des. 780,300, which is a continuation of application No. 29/538,912, filed on Sep. 9, 2015, now Pat. No. Des. 761,400.

(30) **Foreign Application Priority Data**

Mar. 9, 2015 (EM) ..... 002649046-0031  
 Mar. 9, 2015 (EM) ..... 002649046-0032  
 Mar. 9, 2015 (EM) ..... 002649046-0036  
 Mar. 9, 2015 (EM) ..... 002649046-0038  
 Mar. 9, 2015 (EM) ..... 002649046-0039  
 Mar. 9, 2015 (EM) ..... 002649046-0040  
 Mar. 9, 2015 (EM) ..... 002649046-0041  
 Mar. 9, 2015 (EM) ..... 002649046-0042  
 Mar. 9, 2015 (EM) ..... 002649046-0043  
 Mar. 9, 2015 (EM) ..... 002649046-0045  
 Mar. 9, 2015 (EM) ..... 002649046-0046  
 Mar. 9, 2015 (EM) ..... 002649046-0047  
 Mar. 9, 2015 (EM) ..... 002649046-0049  
 Mar. 9, 2015 (EM) ..... 002649046-0050

Mar. 9, 2015 (EM) ..... 002649046-0054  
 Mar. 9, 2015 (EM) ..... 002649046-0055  
 Mar. 9, 2015 (EM) ..... 002649046-0056  
 Mar. 9, 2015 (EM) ..... 002649046-0057  
 Mar. 9, 2015 (EM) ..... 002649046-0058  
 Mar. 9, 2015 (EM) ..... 002649046-0062  
 Mar. 9, 2015 (EM) ..... 002649046-0063  
 Mar. 9, 2015 (EM) ..... 002649046-0064  
 Mar. 9, 2015 (EM) ..... 002649046-0065  
 Mar. 9, 2015 (EM) ..... 002649046-0066  
 Mar. 9, 2015 (EM) ..... 002649046-0069  
 Mar. 9, 2015 (EM) ..... 002649046-0070  
 Mar. 9, 2015 (EM) ..... 002649046-0071  
 Mar. 9, 2015 (EM) ..... 002649046-0072  
 Mar. 9, 2015 (EM) ..... 002649046-0073  
 Mar. 9, 2015 (EM) ..... 002649046-0075  
 Mar. 9, 2015 (EM) ..... 002649046-0077  
 Mar. 9, 2015 (EM) ..... 002649046-0078

(56) **References Cited**

U.S. PATENT DOCUMENTS

D838,351 S \* 1/2019 Yoshihara ..... D23/284  
 D840,004 S \* 2/2019 Richter ..... D23/284  
 D840,517 S \* 2/2019 Richter ..... D23/284  
 D840,518 S \* 2/2019 Richter ..... D23/284  
 D847,957 S \* 5/2019 Bucher ..... D23/293.1  
 2019/0309504 A1\* 10/2019 Yoshizawa ..... A47K 1/04

\* cited by examiner

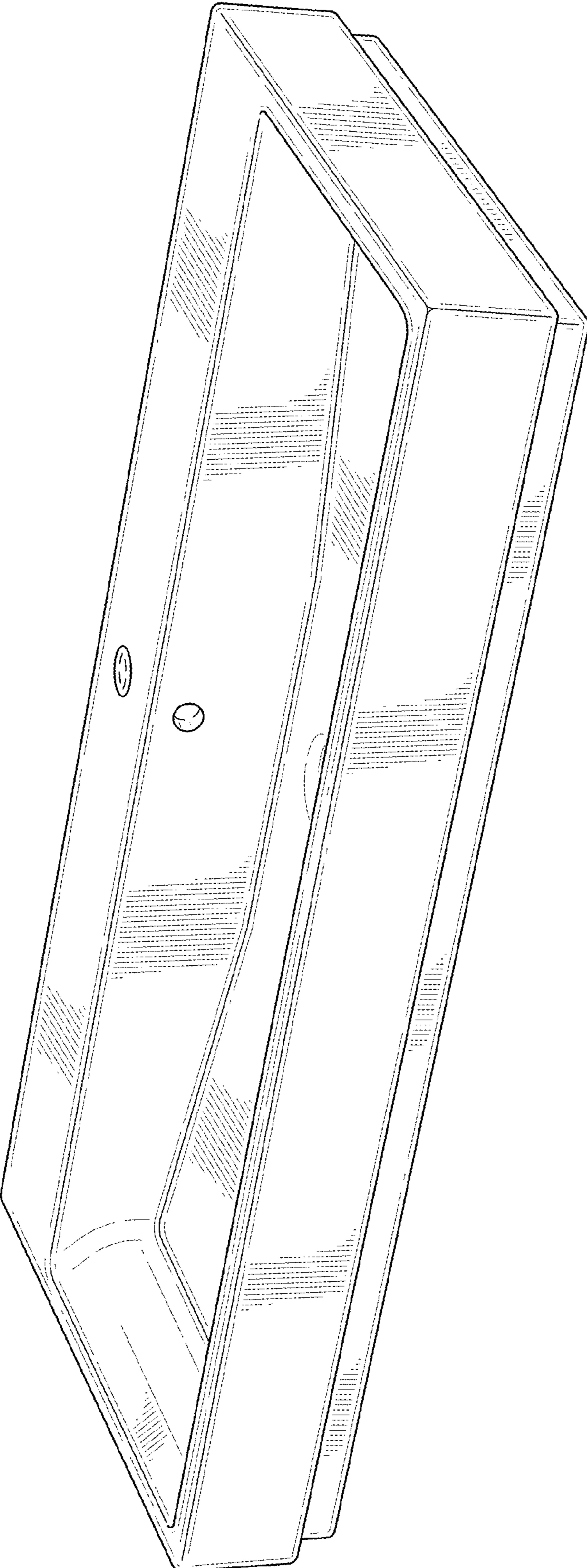


FIG.1



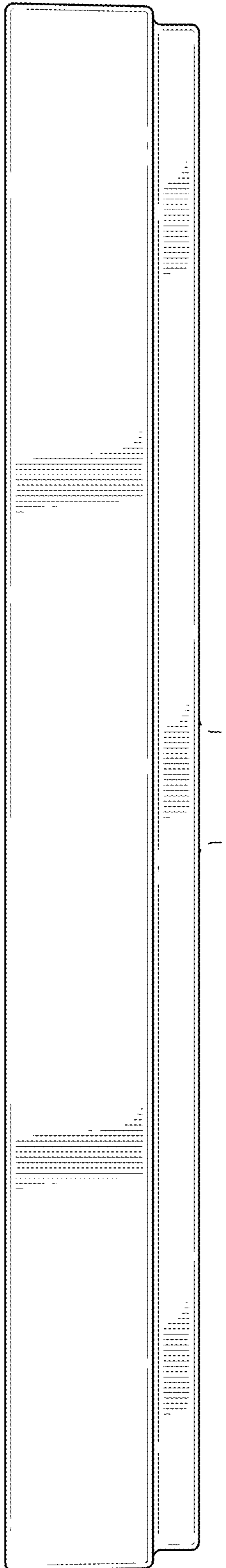


FIG.2

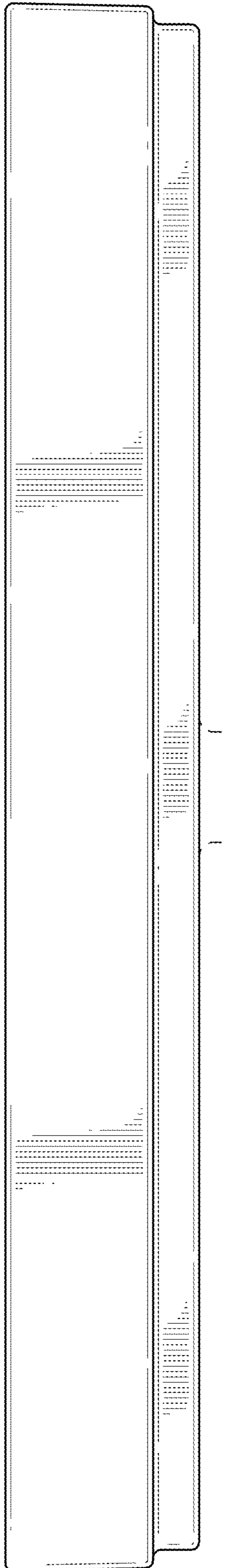


FIG. 3

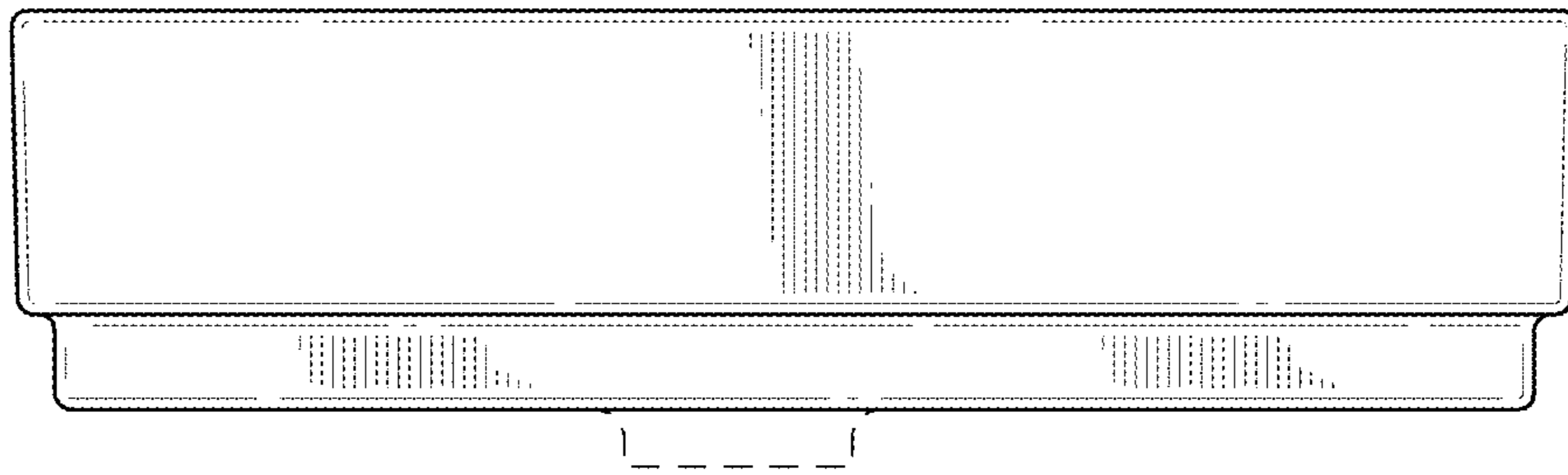


FIG.4

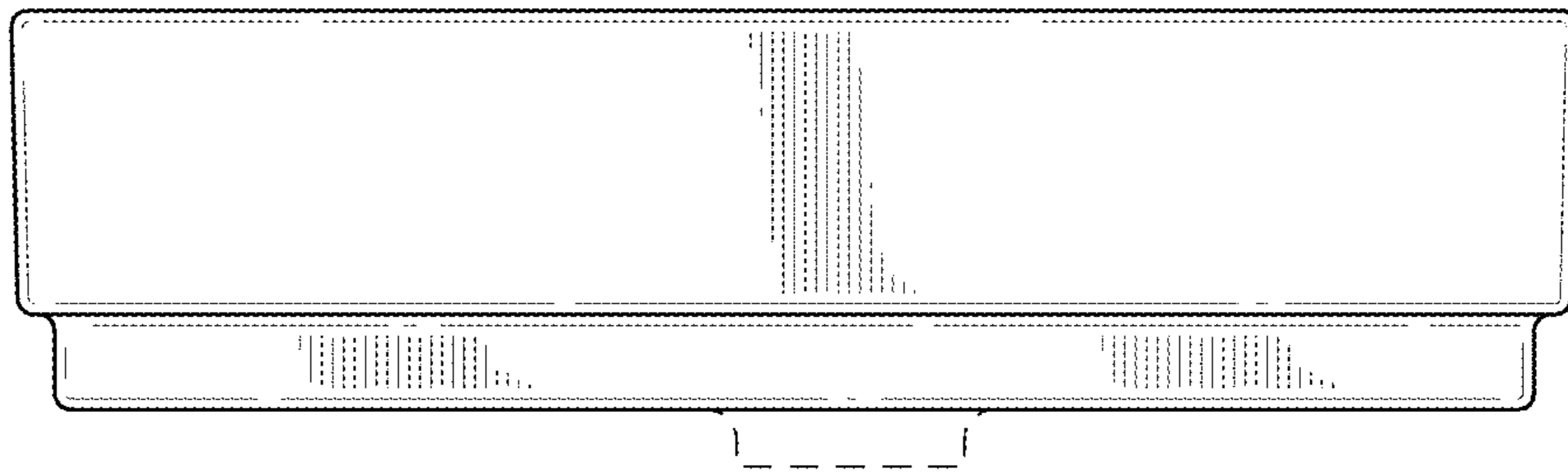


FIG.5

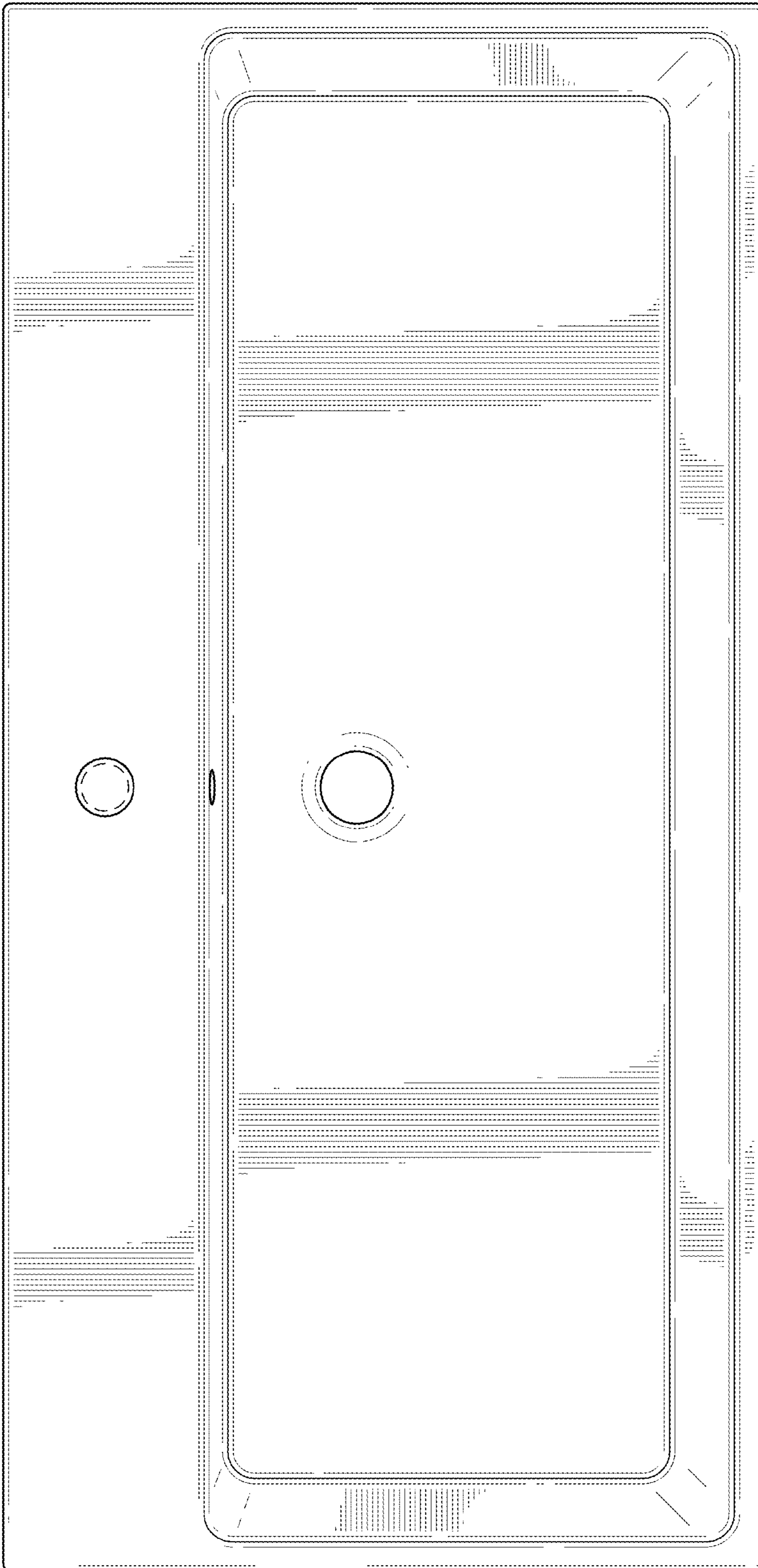


FIG.6



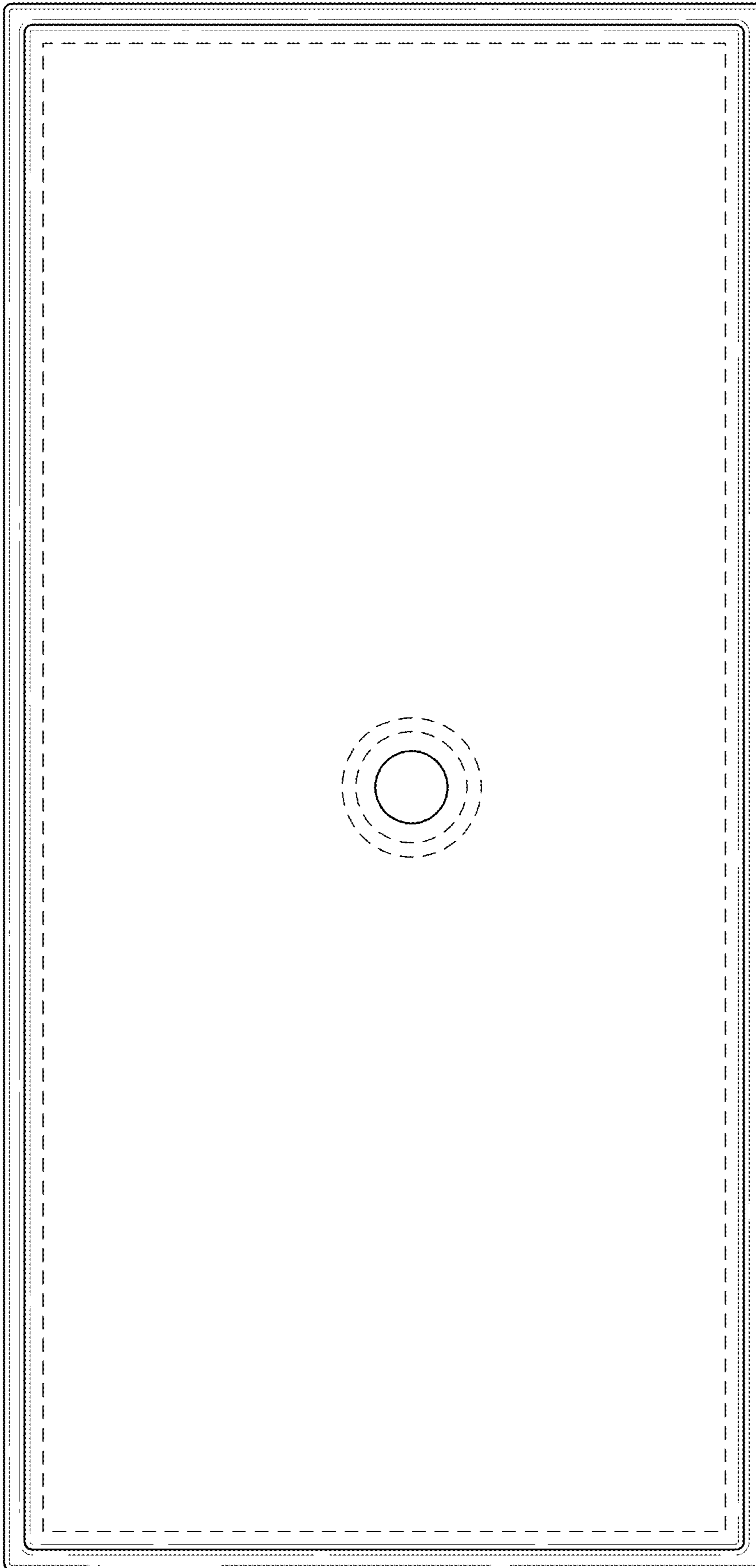


FIG.7