

US00D896929S

(12) **United States Design Patent** (10) **Patent No.:** **US D896,929 S**  
**Vranish** (45) **Date of Patent:** **\*\* Sep. 22, 2020**

- (54) **COUPLING** 4,447,040 A 5/1984 Magorian
- (71) Applicant: **Colder Products Company**, St. Paul, MN (US) 4,541,457 A 9/1985 Blenkush
- (72) Inventor: **David J. Vranish**, Mound, MN (US) D298,605 S 11/1988 Colgan et al.
- (73) Assignee: **Colder Products Company**, Roseville, MN (US) 4,875,711 A \* 10/1989 Watanabe ..... F16L 19/0231 285/45
- (\*\*) Term: **15 Years** 4,892,117 A 1/1990 Spalink
- (21) Appl. No.: **29/663,417** 4,919,457 A \* 4/1990 Moretti ..... F16L 37/0915 285/308
- (22) Filed: **Sep. 14, 2018** D309,774 S 8/1990 Lewis
- 5,018,352 A 5/1991 Compton
- 5,104,158 A 4/1992 Meyer et al.
- 5,292,157 A \* 3/1994 Rubichon ..... F16L 37/0915 285/308
- 5,316,041 A 5/1994 Ramacier, Jr. et al.
- 5,494,074 A 2/1996 Ramacier et al.
- 5,546,985 A 8/1996 Bartholomew

(Continued)

**Related U.S. Application Data**

- (63) Continuation of application No. 29/592,835, filed on Feb. 2, 2017, now Pat. No. Des. 830,523, which is a continuation of application No. 14/567,254, filed on Dec. 11, 2014, which is a continuation-in-part of application No. 14/212,322, filed on Mar. 14, 2014, now abandoned.

- (51) **LOC (12) Cl.** ..... **23-01**
- (52) **U.S. Cl.**  
USPC ..... **D23/262**; D24/129
- (58) **Field of Classification Search**  
USPC ..... D23/259, 266, 262, 263, 265;  
D24/110-112, 127, 129; D8/382, 396;  
251/149.6-149.9; 285/149.6, 308, 320;  
137/614.02, 614.05-614.06, 798  
CPC ..... A61M 39/26; F16L 27/073  
See application file for complete search history.

(56) **References Cited**

**U.S. PATENT DOCUMENTS**

- 3,334,659 A 8/1967 Magorien
- 4,079,966 A 3/1978 Berry et al.
- 4,327,770 A 5/1982 Brown et al.
- 4,340,052 A \* 7/1982 Dennehey ..... A61M 39/165 604/317

**OTHER PUBLICATIONS**

International Search Report and Written Opinion for PCT/US2014/027937 dated Jul. 8, 2014.

(Continued)

*Primary Examiner* — Amy C Wierenga

(74) *Attorney, Agent, or Firm* — Fish & Richardson P.C.

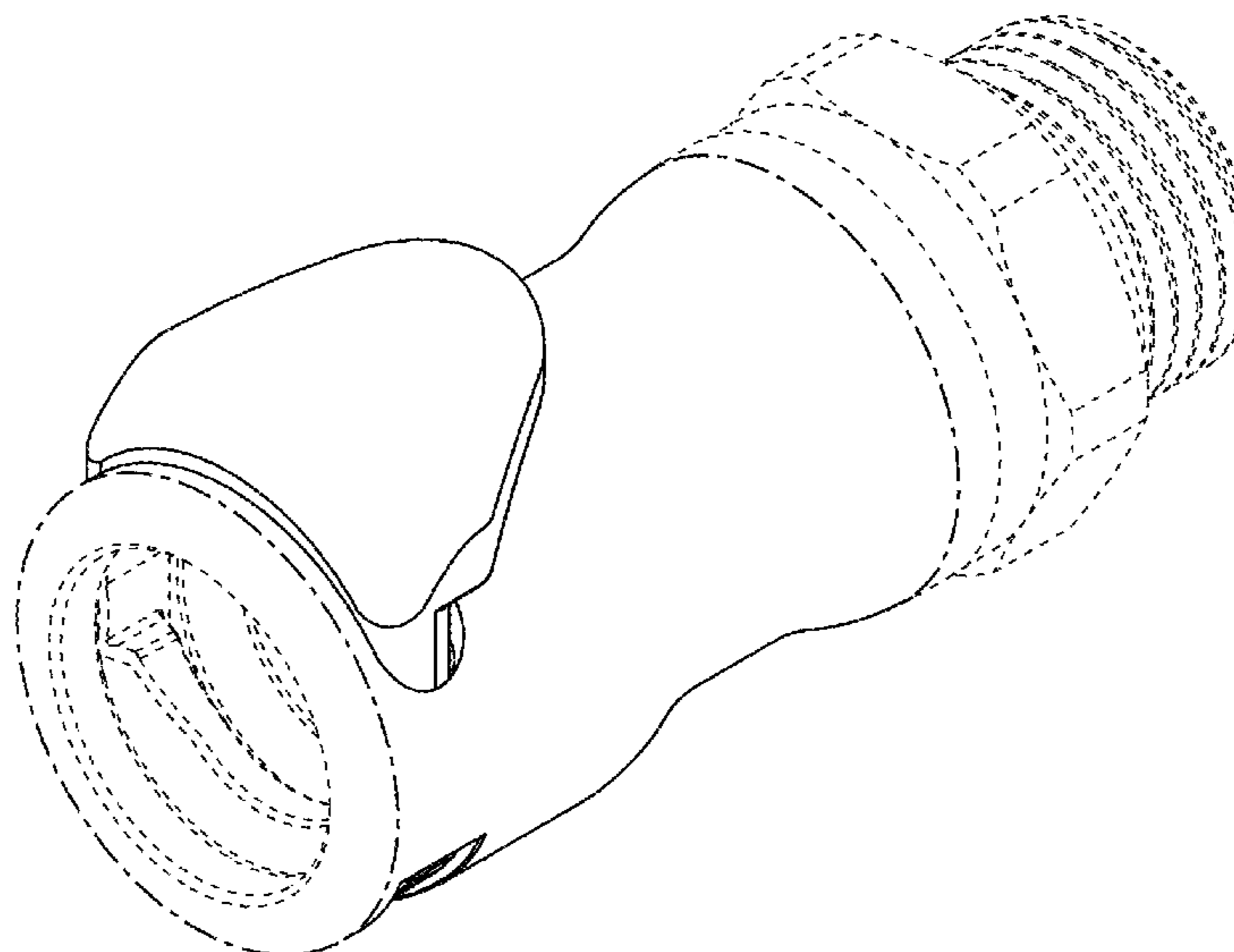
(57) **CLAIM**

The ornamental design for a coupling, as shown and described.

**DESCRIPTION**

FIG. 1 is perspective view of the coupling. FIG. 2 is a side view of the coupling; and, FIG. 3 is an end view of the coupling. The dashed broken lines in the drawing depict portions of the coupling that form no part of the claim. The dash-dot broken lines define the boundaries of the claim and form no part thereof.

**1 Claim, 2 Drawing Sheets**



(56)

References Cited

U.S. PATENT DOCUMENTS

5,709,243 A 1/1998 Wells et al.  
 D396,730 S 8/1998 Schaupp  
 5,911,403 A 6/1999 deCler et al.  
 5,938,244 A 8/1999 Meyer  
 5,975,489 A 11/1999 deCler et al.  
 D419,860 S 2/2000 Persson  
 6,024,124 A 2/2000 Braun et al.  
 6,082,401 A 7/2000 Braun et al.  
 6,176,263 B1 1/2001 Lacroix et al.  
 6,328,348 B1 12/2001 Cornford et al.  
 6,386,596 B1 5/2002 Olson  
 D468,016 S \* 12/2002 Mosler ..... D24/129  
 6,517,121 B1 2/2003 Cresswell  
 6,681,803 B2 1/2004 Taneya et al.  
 6,685,230 B1 2/2004 Bottura  
 7,044,161 B2 5/2006 Tiberghien  
 7,063,357 B1 6/2006 Bay  
 7,185,674 B2 3/2007 Taylor  
 7,213,845 B2 5/2007 Sato  
 7,469,472 B2 12/2008 deCler et al.  
 7,547,047 B2 6/2009 deCler et al.  
 7,568,737 B2 8/2009 Wells et al.  
 D608,424 S 1/2010 Katsuta et al.  
 D610,760 S 2/2010 Zugen et al.  
 7,708,029 B2 5/2010 Kitagawa et al.  
 7,980,599 B2 7/2011 Schindel  
 D648,008 S 11/2011 Percoco et al.  
 D654,573 S 2/2012 Lombardi et al.  
 8,201,853 B2 6/2012 Tiberghien et al.  
 D679,784 S 4/2013 Meyer  
 D687,528 S 8/2013 Meyer  
 8,764,068 B2 7/2014 Frick et al.

8,870,235 B2 10/2014 Turk  
 8,910,980 B2 12/2014 Neal et al.  
 9,157,560 B2 10/2015 Rehder et al.  
 D752,721 S 3/2016 Wilffang et al.  
 D758,555 S 6/2016 Van Dyke et al.  
 D761,395 S \* 7/2016 Plackner ..... D23/262  
 D788,890 S \* 6/2017 Downs ..... F16L 37/0841  
 D23/262  
 9,689,516 B2 6/2017 Frick et al.  
 D816,211 S \* 4/2018 Guala ..... D24/110.6  
 D830,523 S \* 10/2018 Vranish ..... D23/262  
 D830,524 S \* 10/2018 Vranish ..... D23/262  
 D838,350 S \* 1/2019 Downs ..... F16L 37/0841  
 D23/262  
 2005/0001425 A1 1/2005 deCler et al.  
 2007/0029796 A1 \* 2/2007 Bibby ..... F16L 37/0982  
 285/308  
 2007/0120361 A1 \* 5/2007 Kao ..... F16L 37/0841  
 285/308  
 2009/0167018 A1 \* 7/2009 Lien ..... F16L 37/0841  
 285/308  
 2010/0019487 A1 1/2010 deCler et al.  
 2010/0051129 A1 3/2010 Kitagawa  
 2013/0092271 A1 4/2013 Downs et al.  
 2014/0060675 A1 3/2014 Wilhelm et al.  
 2014/0261819 A1 9/2014 Vranish  
 2015/0090915 A1 4/2015 Vranish  
 2015/0267851 A1 9/2015 Aoki

OTHER PUBLICATIONS

International Preliminary Report on Patentability in Application No. PCT/US2014/027397, dated Sep. 15, 2015, 6 pages.

\* cited by examiner

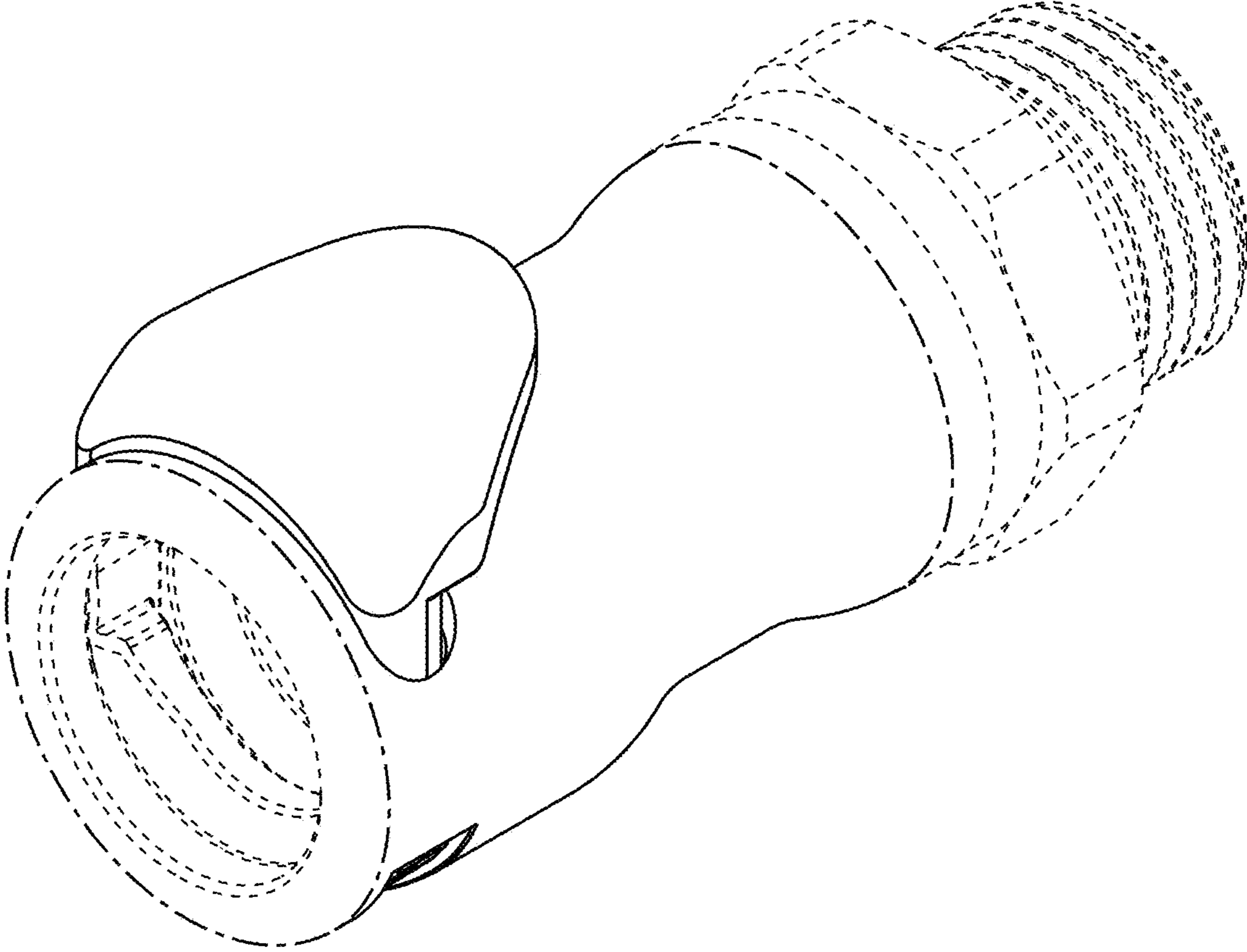


FIG. 1

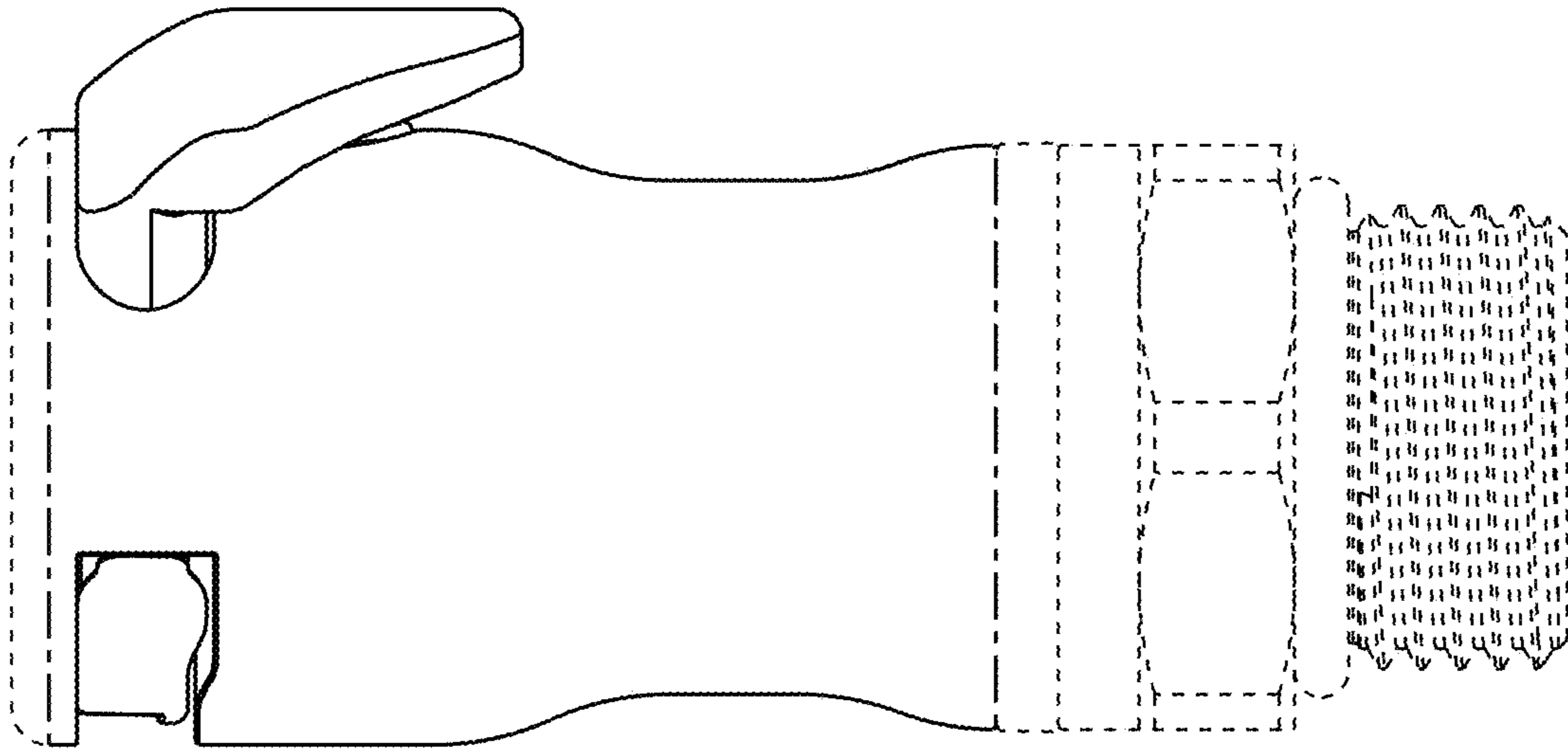


FIG. 2

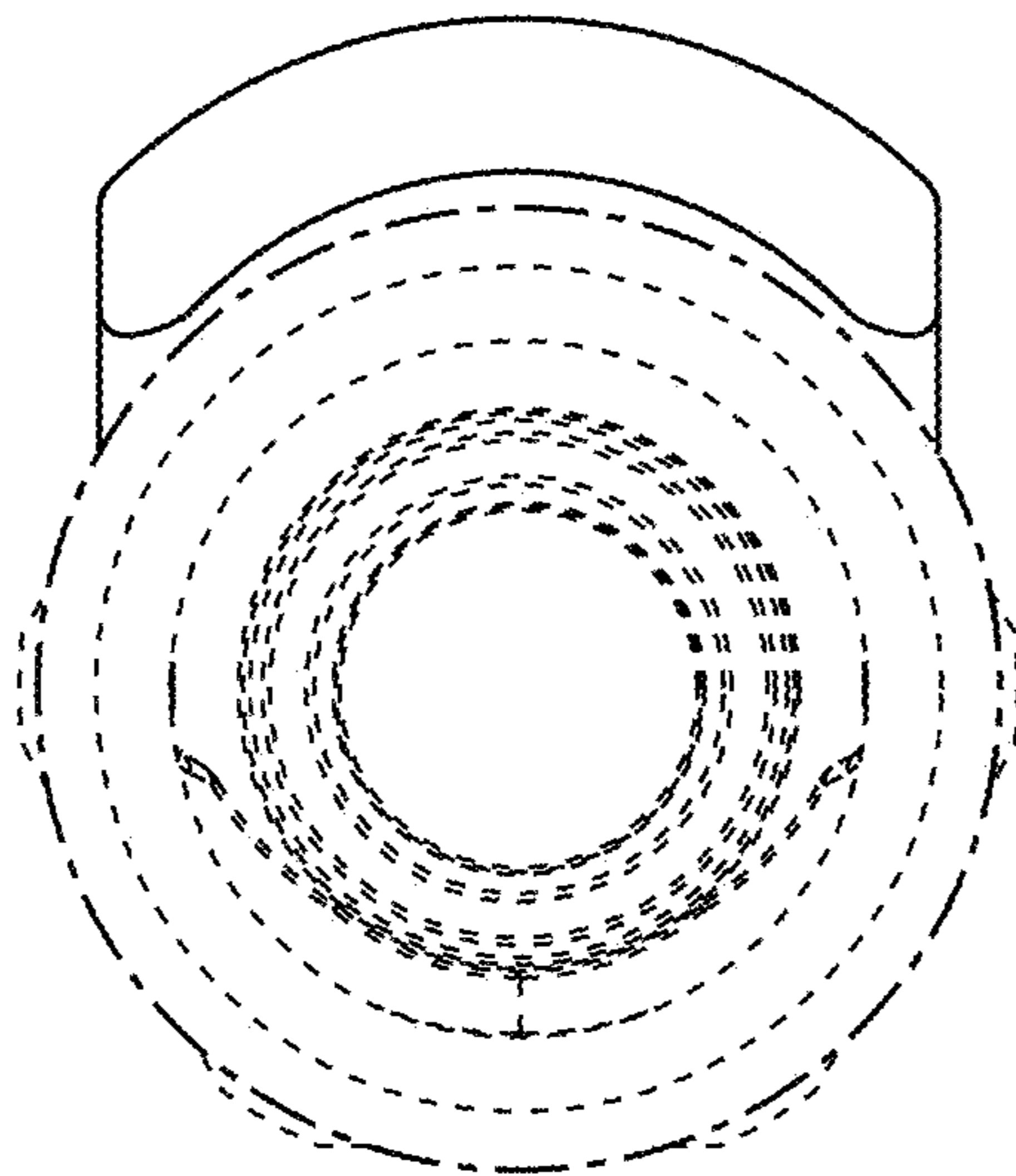


FIG. 3