



US00D896928S

(12) **United States Design Patent** (10) **Patent No.:** **US D896,928 S**
Day (45) **Date of Patent:** **** Sep. 22, 2020**

(54) **URINAL OR TOILET MAT**
(71) Applicant: **Mark Day**, Houston, TX (US)
(72) Inventor: **Mark Day**, Houston, TX (US)
(**) Term: **15 Years**
(21) Appl. No.: **29/692,141**
(22) Filed: **May 22, 2019**
(51) **LOC (12) Cl.** **23-01**
(52) **U.S. Cl.**
USPC **D23/261; D6/583**
(58) **Field of Classification Search**
USPC D23/207-209, 230, 233-234, 236-237,
D23/249, 259-261, 269, 303, 307, 310;
137/533.15, 533.1, 15.23; 251/314, 315,
251/357, 359-362; D6/852-583, 585,
D6/592, 594, 582; D32/55, 57;
4/290-295, 286-289, 255.01-255.12, 658,
4/688-690, 300.3, 222.1, DIG. 5, 251.2;
52/169.5
CPC A47K 1/14
See application file for complete search history.

6,875,494 B2 * 4/2005 Burns B32B 3/266
4/251.1
D625,540 S * 10/2010 Dukes D6/583
D629,636 S * 12/2010 Wright A47G 27/0206
D6/582
D630,714 S * 1/2011 Dukes D23/260
D759,792 S * 6/2016 Flury D23/261
10,087,612 B2 * 10/2018 Brown A47K 17/00
D856,027 S * 8/2019 Chang D6/583
2008/0280095 A1 * 11/2008 Wright A47L 23/266
428/118
2014/0075663 A1 * 3/2014 Irwin A61L 9/12
4/292

* cited by examiner

Primary Examiner — Amy C Wierenga

(74) Attorney, Agent, or Firm — Karen B. Tripp

(57) **CLAIM**

The ornamental design for a urinal or toilet mat, as shown and described.

DESCRIPTION

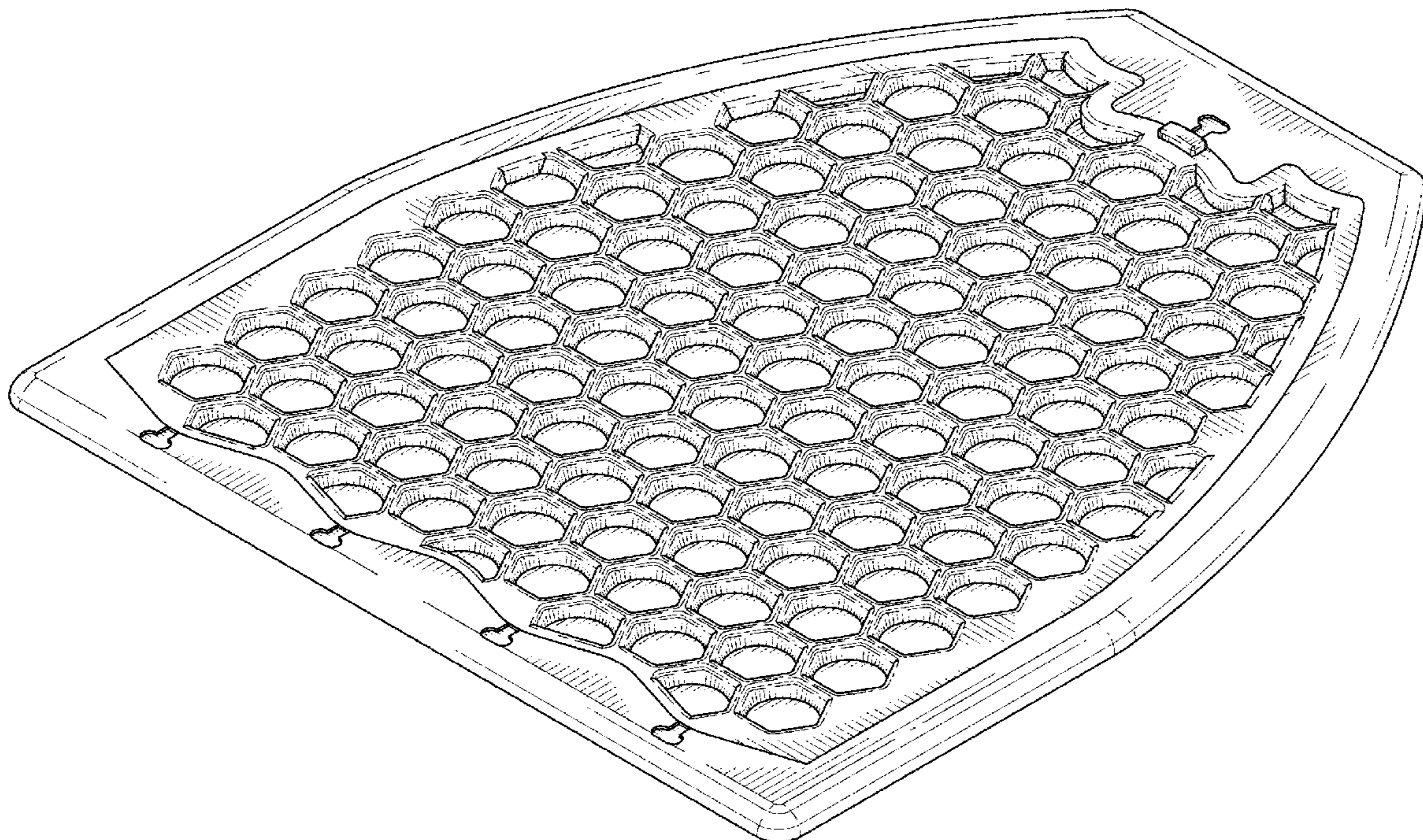
FIG. 1 is a front perspective view of a urinal or toilet mat showing my new design;
FIG. 2 is a front view thereof;
FIG. 3 is a back view thereof;
FIG. 4 is a left side view thereof;
FIG. 5 is a right side view thereof;
FIG. 6 is a top view thereof; and,
FIG. 7 is a bottom view thereof.
The broken lines shown in FIG. 3 represent boundaries of the claim and form no part thereof. The center portion of the back of the urinal mat within the boundary lines is unclaimed.

(56) **References Cited**

U.S. PATENT DOCUMENTS

D158,550 S * 5/1950 Breneman D6/585
D464,122 S * 10/2002 Mangan D23/261
D486,341 S * 2/2004 Ruhl D6/583
6,698,035 B1 * 3/2004 Grueser E03D 13/00
4/301
6,787,210 B2 * 9/2004 Stickler A47G 27/0225
132/333
D497,277 S * 10/2004 Ruhl D6/582

1 Claim, 4 Drawing Sheets



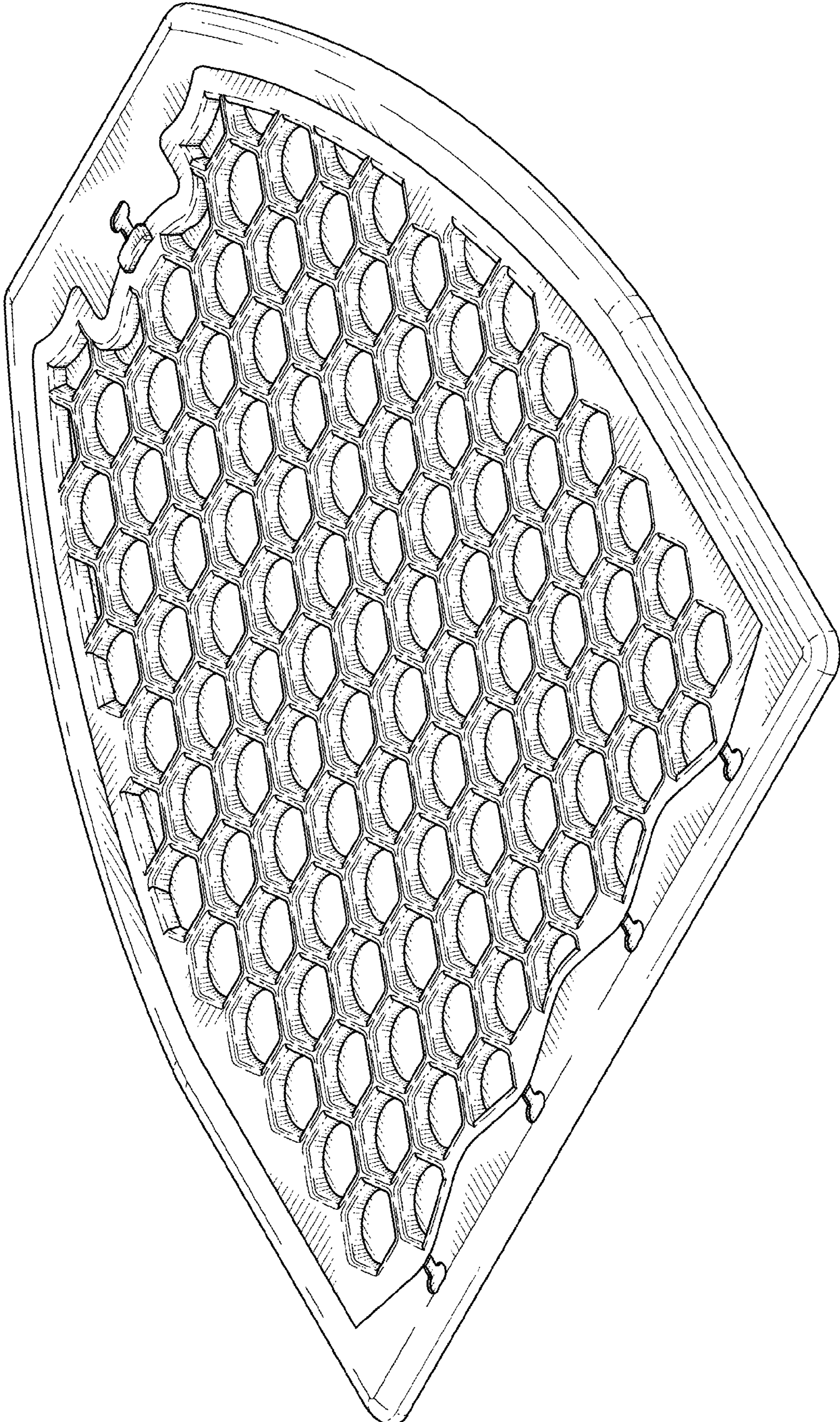


FIG. 1

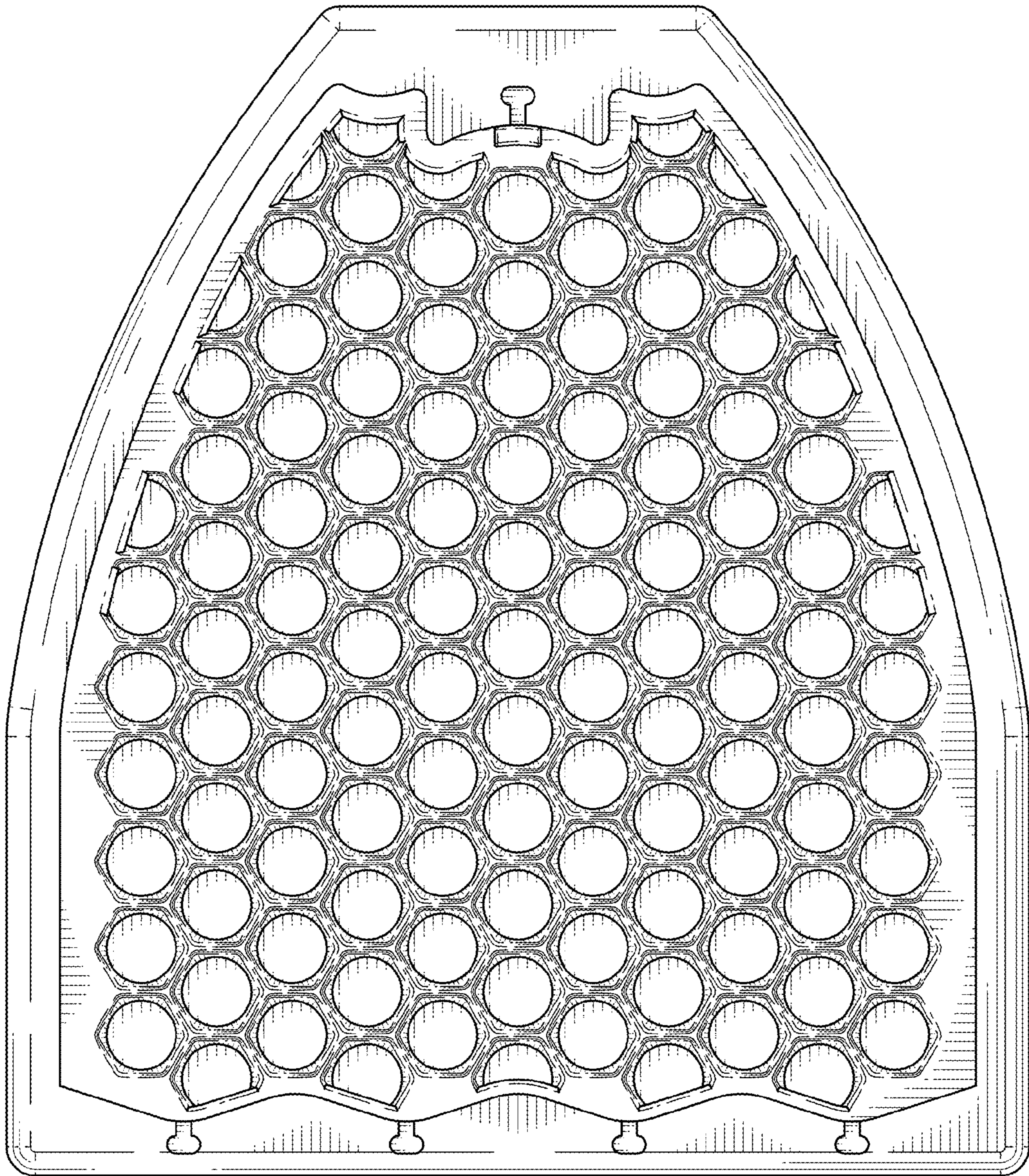


FIG. 2

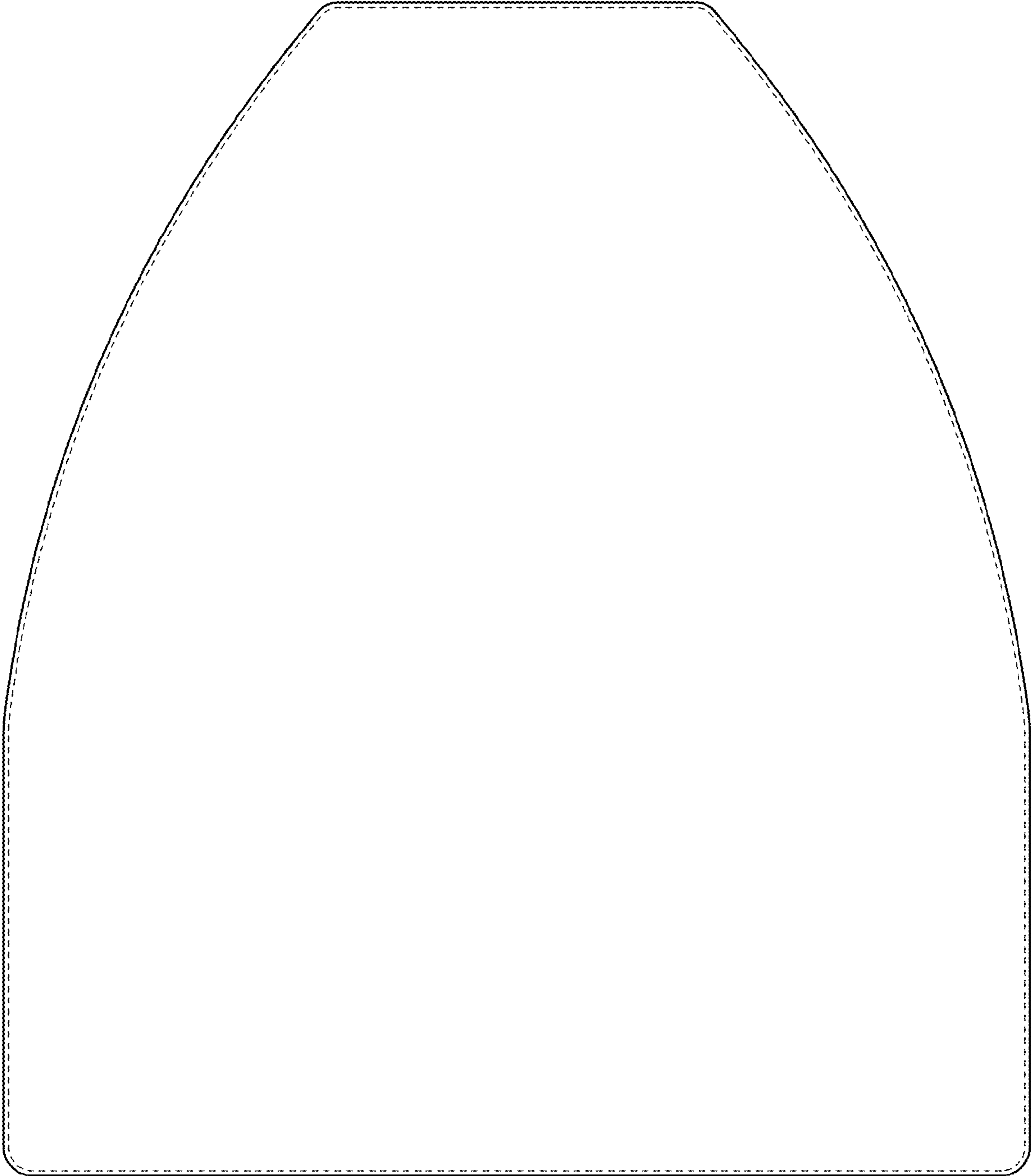


FIG. 3

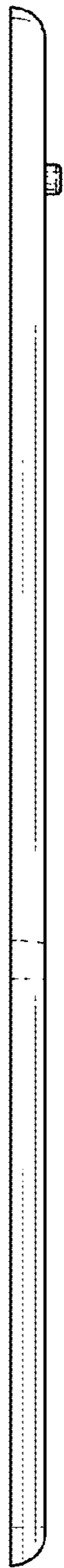


FIG. 4



FIG. 5



FIG. 6

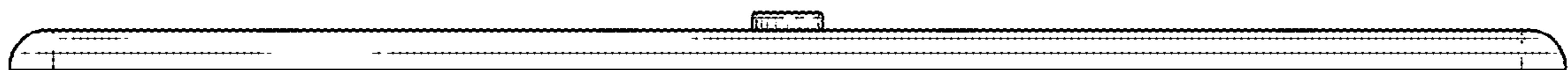


FIG. 7