



US00D896927S

(12) **United States Design Patent** (10) **Patent No.:** **US D896,927 S**
Soulier et al. (45) **Date of Patent:** **** Sep. 22, 2020**

(54) **FAUCET HANDLE**
(71) Applicant: **Kohler Co.**, Kohler, WI (US)
(72) Inventors: **Jean-Hugues Soulier**, Paris (FR);
Ferran Serra Sola, Paris (FR); **Drew Johnson**, Sheboygan, WI (US)
(73) Assignee: **Kohler Co.**, Kohler, WI (US)

D279,213 S 6/1985 Paul
D292,820 S 11/1987 Kemp
D310,862 S 9/1990 Strignano
D310,865 S 9/1990 Strignano
D311,438 S 10/1990 Strignano
D312,495 S 11/1990 Joerger
D354,548 S 1/1995 Bollenbacher
D377,337 S * 1/1997 Schaeffer D13/171
D441,844 S 5/2001 Fleischmann

(Continued)

(**) Term: **15 Years**
(21) Appl. No.: **29/658,291**
(22) Filed: **Jul. 30, 2018**

OTHER PUBLICATIONS

Hotel Management, Classy faucet: The Wheel by Waterstone, posted Sep. 29, 2016, [online], [visited Aug. 23, 2019]. Internet, URL: <https://www.hotelmanagement.net/design-trends/classy-faucet-wheel-by-waterstone> (Year: 2016).

(Continued)

Related U.S. Application Data

(62) Division of application No. 29/641,442, filed on Mar. 22, 2018, now Pat. No. Des. 837,943, which is a division of application No. 29/595,290, filed on Feb. 27, 2017, now Pat. No. Des. 823,440.

Primary Examiner — Robert A Delehanty
(74) *Attorney, Agent, or Firm* — Foley & Lardner LLP

(51) **LOC (12) Cl.** **23-01**
(52) **U.S. Cl.**
USPC **D23/250**

(57) **CLAIM**

We claim the ornamental design for a faucet handle, as shown and described.

(58) **Field of Classification Search**
USPC D23/238, 241–243, 249–250, 252,
D23/254–255, 257; D8/307–308;
D7/393
CPC Y10T 137/9464; Y10T 137/6014; Y10T
137/6017
See application file for complete search history.

DESCRIPTION

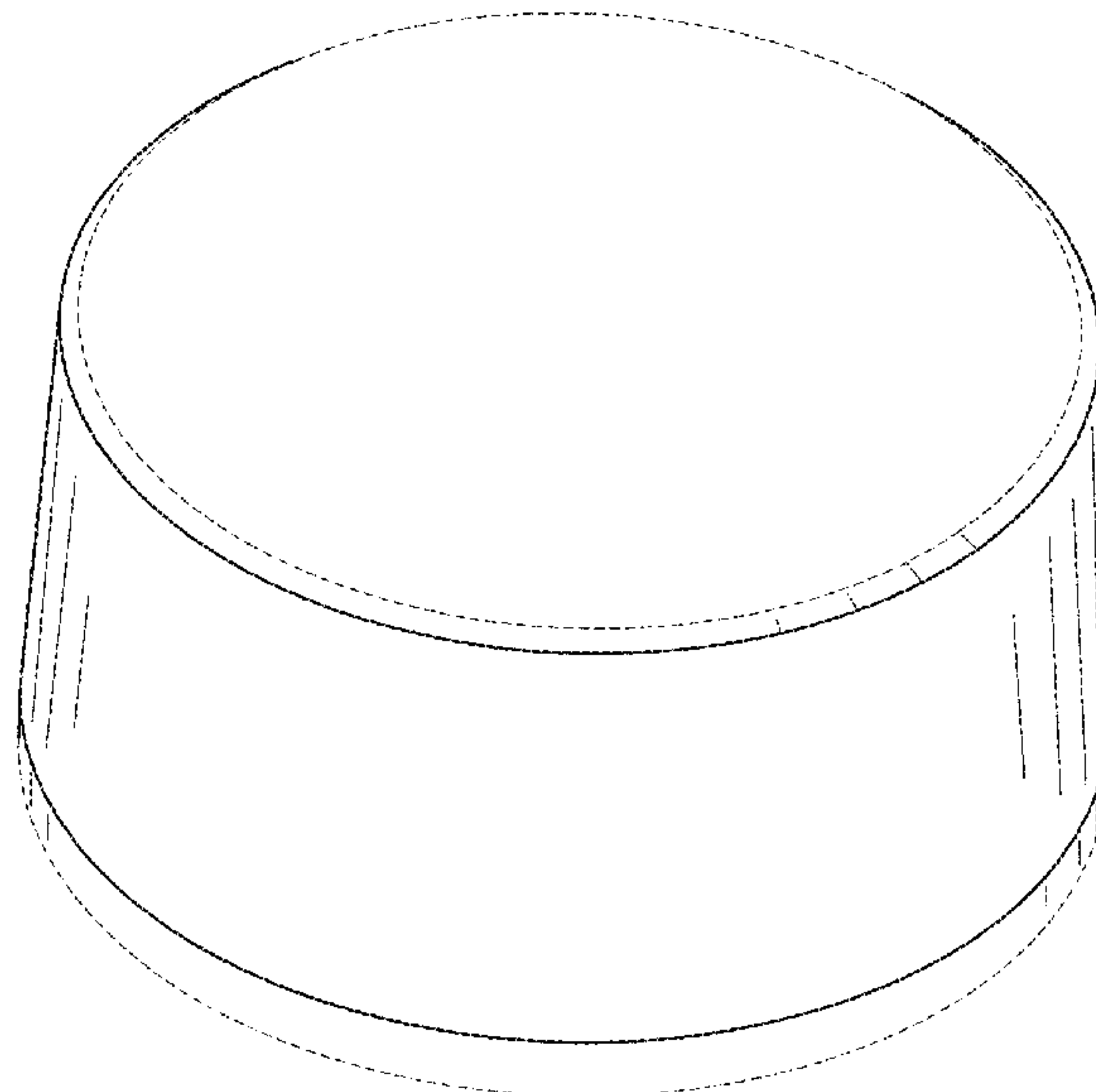
FIG. 1 is a top, front perspective view of an embodiment of the claimed design;
FIG. 2 is a front elevation view thereof;
FIG. 3 is a top plan view thereof;
FIG. 4 is a right side elevation view thereof;
FIG. 5 is a left side elevation view thereof;
FIG. 6 is a rear elevation view thereof; and,
FIG. 7 is a bottom plan view thereof.

The ornamental design which is claimed is shown in solid lines in the drawings. The broken lines in the drawings are for illustrative purposes only and form no part of the claimed design. Broken lines formed by equal length dashes show unclaimed subject matter.

(56) **References Cited**
U.S. PATENT DOCUMENTS

D59,314 S 10/1921 Winsen
D63,931 S 2/1924 Bowden
D110,995 S 8/1938 Bellem, Jr.
D127,734 S 6/1941 Dreyfuss
4,499,630 A * 2/1985 Harris F24C 3/124
16/441

1 Claim, 4 Drawing Sheets



(56)

References Cited

U.S. PATENT DOCUMENTS

D442,263 S 5/2001 Warshawsky
 D454,513 S 3/2002 Gueit
 D462,421 S 9/2002 Hundley
 D467,489 S * 12/2002 Rubinson D8/310
 D487,586 S 3/2004 Haug
 D487,924 S 3/2004 Lin
 D490,881 S 6/2004 Lin
 D516,677 S 3/2006 Haug
 D526,883 S 8/2006 Gilbert
 D527,794 S 9/2006 Sieger
 D531,277 S 10/2006 Tsai
 D531,702 S 11/2006 Haug
 D535,725 S 1/2007 Chu
 D541,383 S 4/2007 Green
 D541,909 S 5/2007 Schoenherr
 D542,384 S 5/2007 Starck
 D543,609 S 5/2007 Dolan
 D548,563 S 8/2007 Hoernig
 D568,447 S 5/2008 Lai
 D568,715 S 5/2008 Gustafson
 D581,494 S 11/2008 Dolan
 D592,284 S 5/2009 Lammel
 D597,632 S * 8/2009 Obara D23/250
 D603,022 S * 10/2009 Schonherr D23/245
 D622,820 S 8/2010 Bouroullec
 D624,991 S 10/2010 Kulig
 D627,858 S 11/2010 Hanna
 D627,861 S 11/2010 Sandee et al.
 D631,726 S * 2/2011 Ferreira Sanchez D8/312
 D641,456 S 7/2011 Bickerstaffe et al.
 D644,912 S * 9/2011 Benold D8/311
 D655,786 S 3/2012 Fukasawa

D705,892 S 5/2014 Standefer
 D713,236 S * 9/2014 Park D8/310
 D714,915 S 10/2014 Von der Lancken
 D722,259 S * 2/2015 Conner D8/300
 D726,883 S 4/2015 Flowers
 D755,352 S 5/2016 Mitsuoka
 D772,037 S * 11/2016 Zimmer D8/310
 D781,126 S * 3/2017 Pionek D8/310
 D786,406 S 5/2017 Schoenherr
 D787,638 S 5/2017 Schoenherr
 D793,534 S 8/2017 Fritz
 D820,238 S * 6/2018 Boshernitzan D14/218
 D827,456 S * 9/2018 Seum D10/56
 D879,055 S * 3/2020 Altonen D13/171
 D882,891 S * 4/2020 Ayers D32/28
 D890,754 S * 7/2020 Raken D14/388

OTHER PUBLICATIONS

Amazon, JewelryWE Multi faceted ring, posted Jul. 13, 2013, [online], [visited Aug. 23, 2019]. Internet, URL: https://www.amazon.co.uk/JewelryWe-Arrivals-Comfort-Faceted-Engagement/dp/B00DU9FOUE/ref=cm_cr_ar_p_d_pdt_img_top?ie=UTF8 (Year: 2013).
 Amazon,—ElliTNomen’s Ring, posted Oct. 11, 2016, [online], [visited Aug. 23, 2019]. Internet, URL: https://www.amazon.co.uk/Elli-Womens-Sterling-Silver-Plated/dp/B01LPSPKCI/ref=sr_1_79?keywords=hexagon+ring&qid=1566577892&s=gateway&sr=8-79 (Year: 2016).
 Amazon, Tioneer Multi-faceted wedding band, posted Oct. 24, 2012, [online], [visited Aug. 23, 2019]. Internet, URL: https://www.amazon.co.uk/Tungsten-Carbide-Polish-Multi-Faceted-Wedding/dp/B005IRP244/ref=cm_cr_ar_p_d_pdt_img_top?ie=UTF8 (Year: 2012).

* cited by examiner

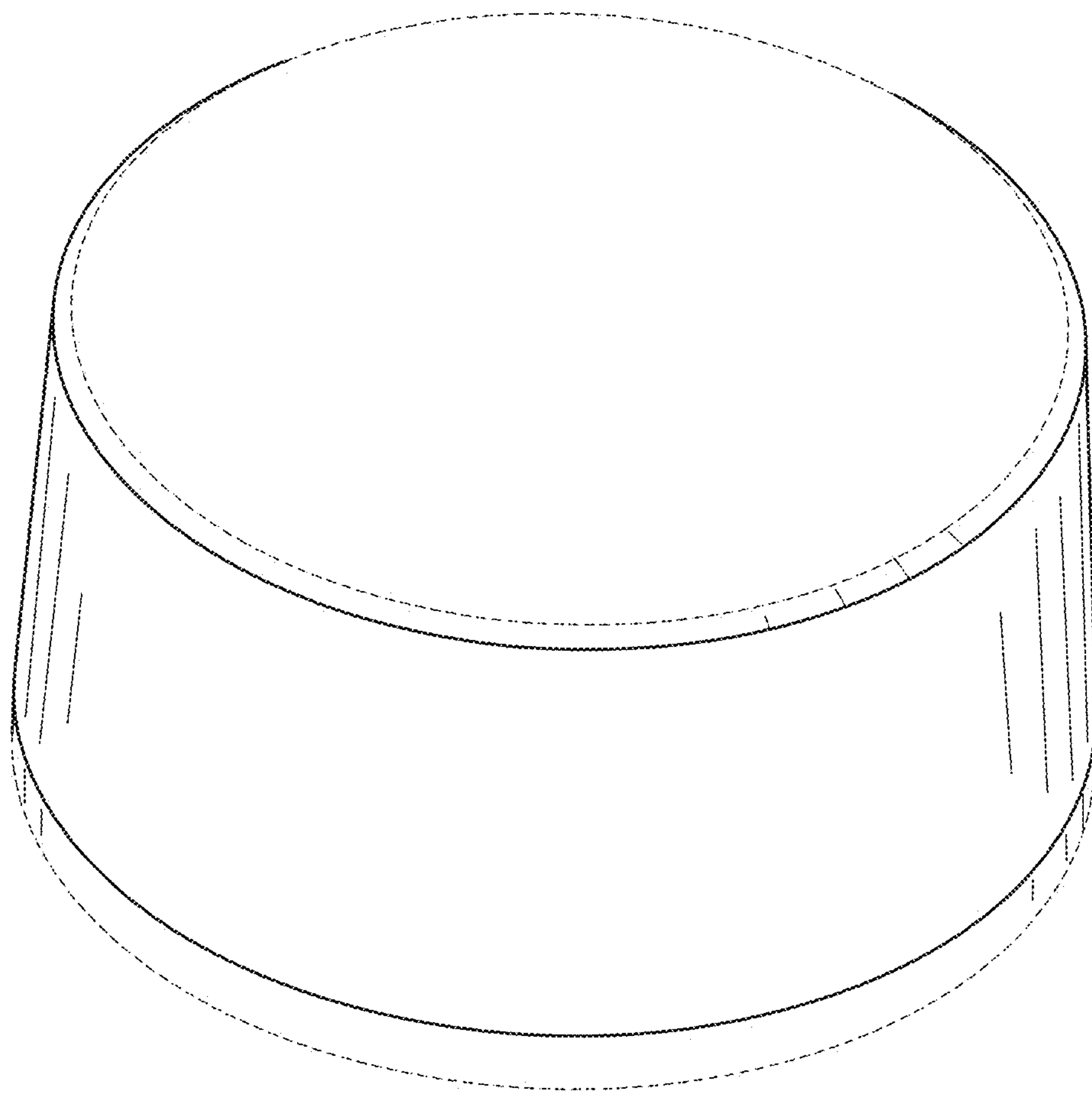


FIG. 1

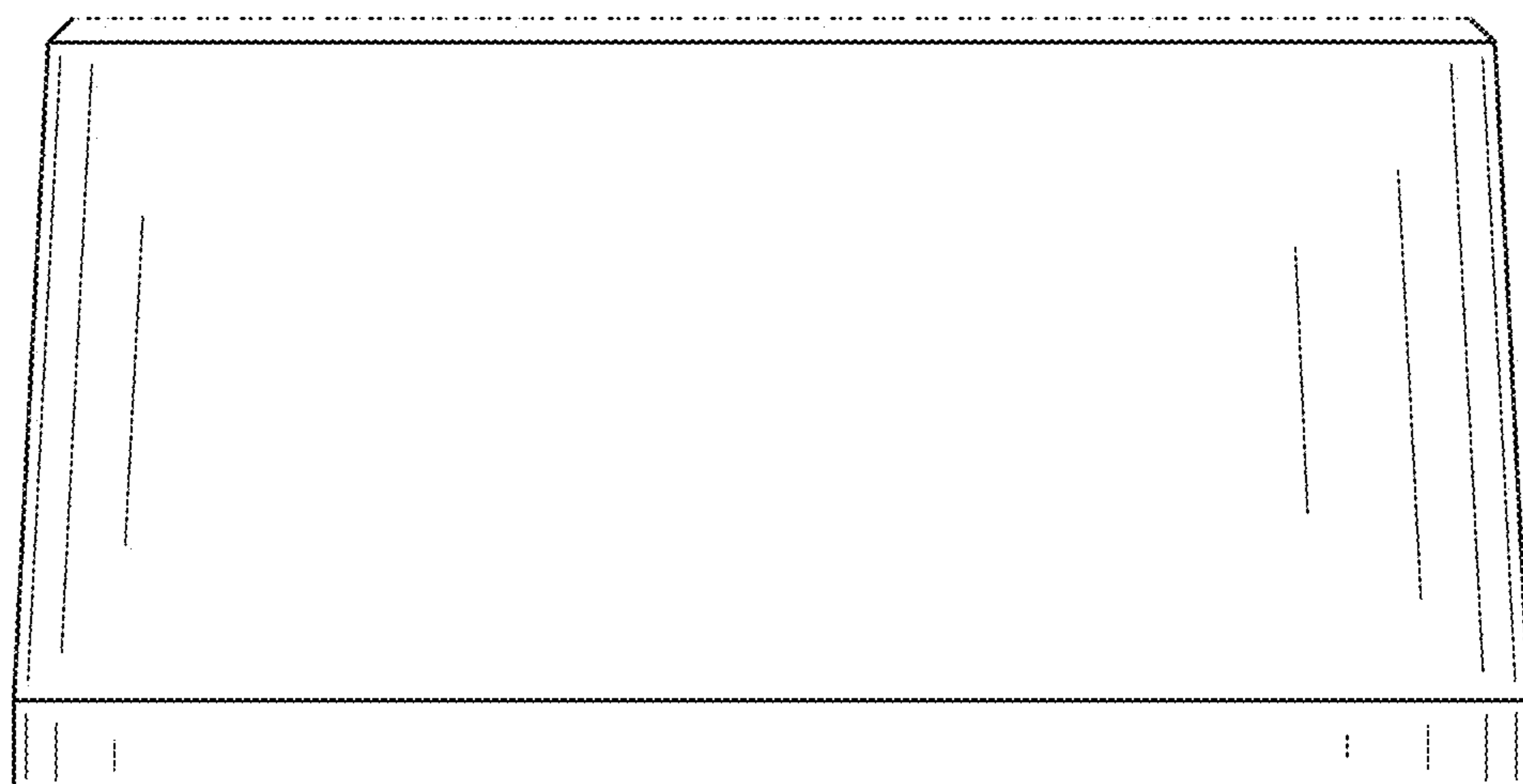


FIG. 2

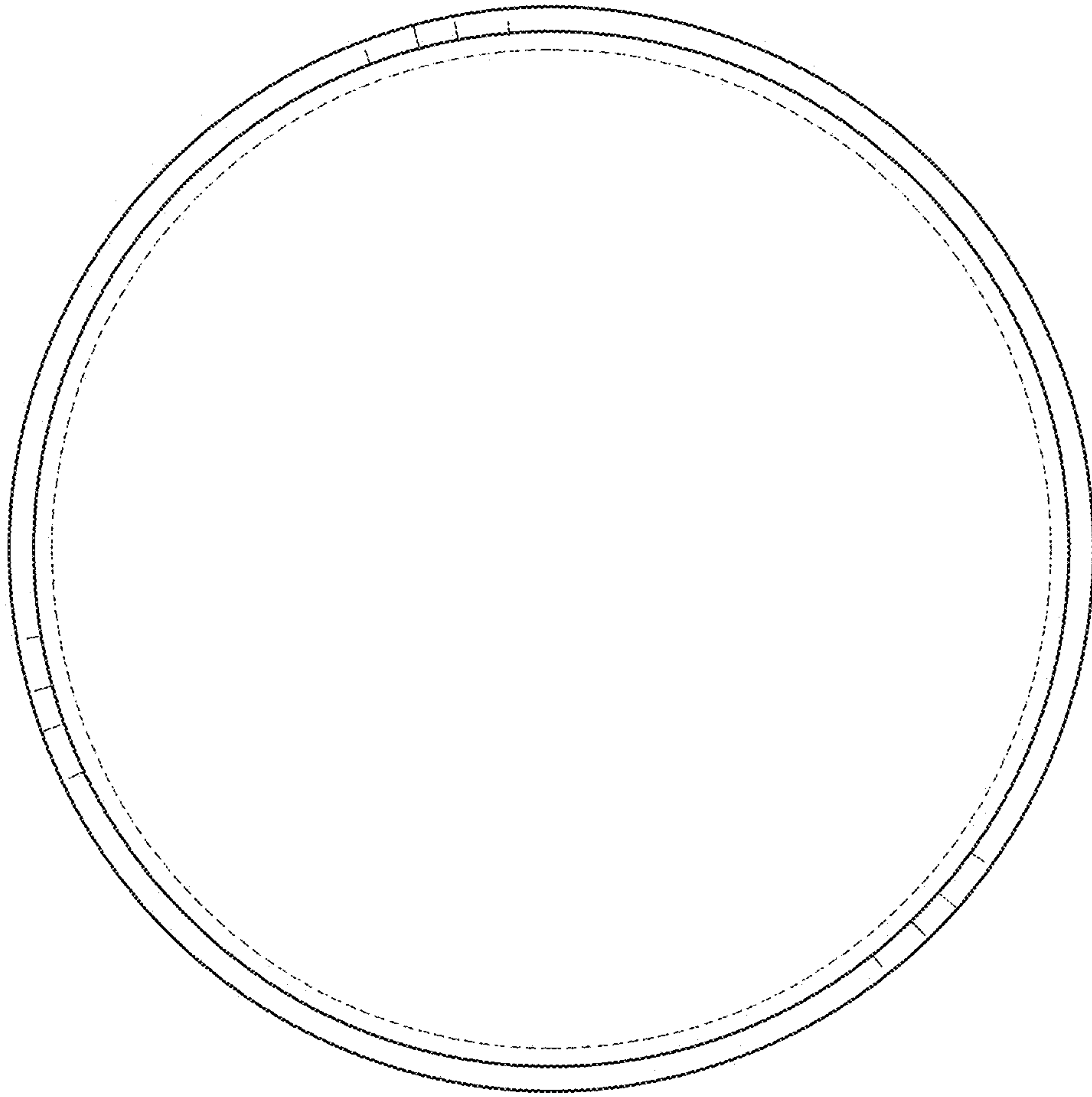


FIG. 3

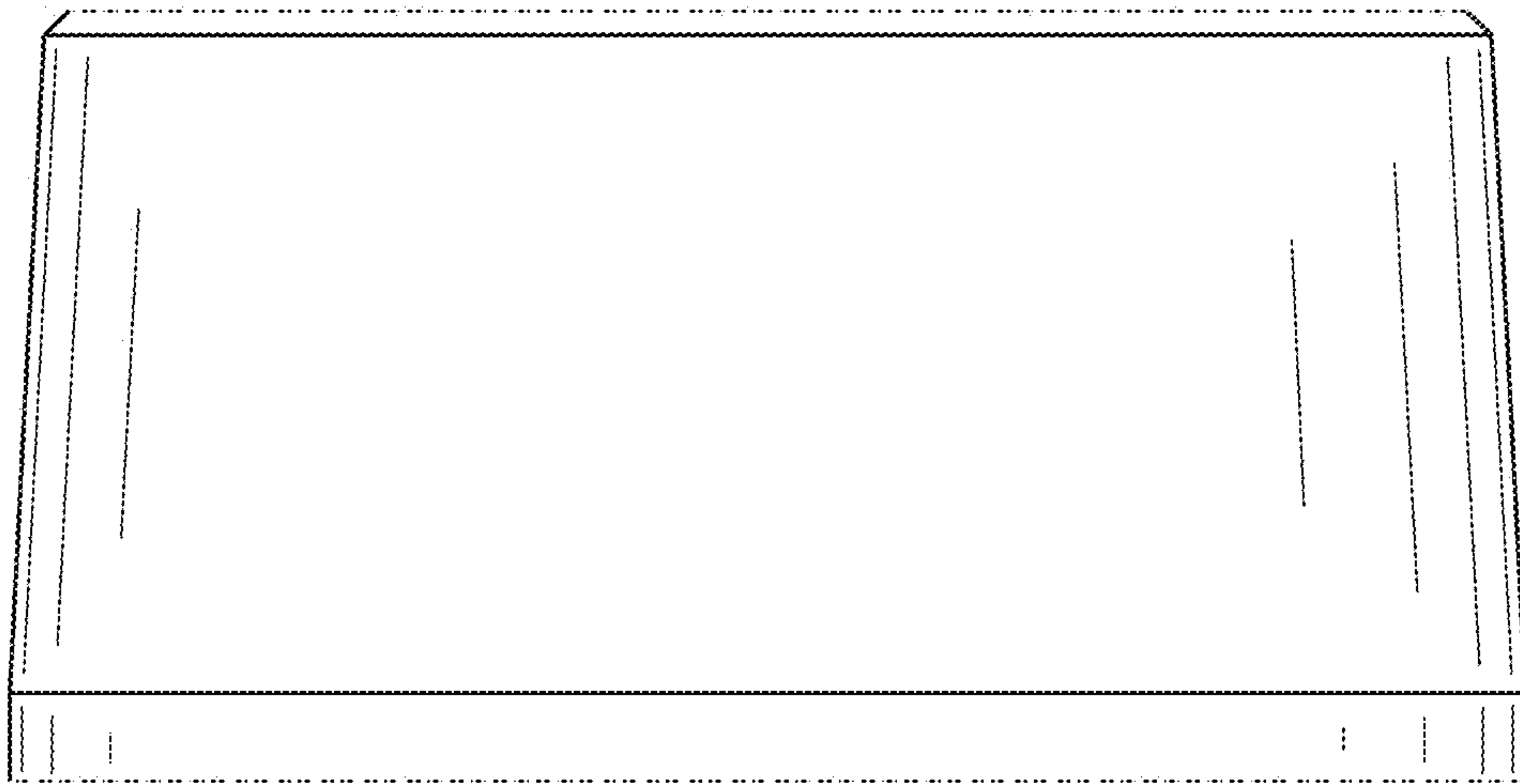


FIG. 4

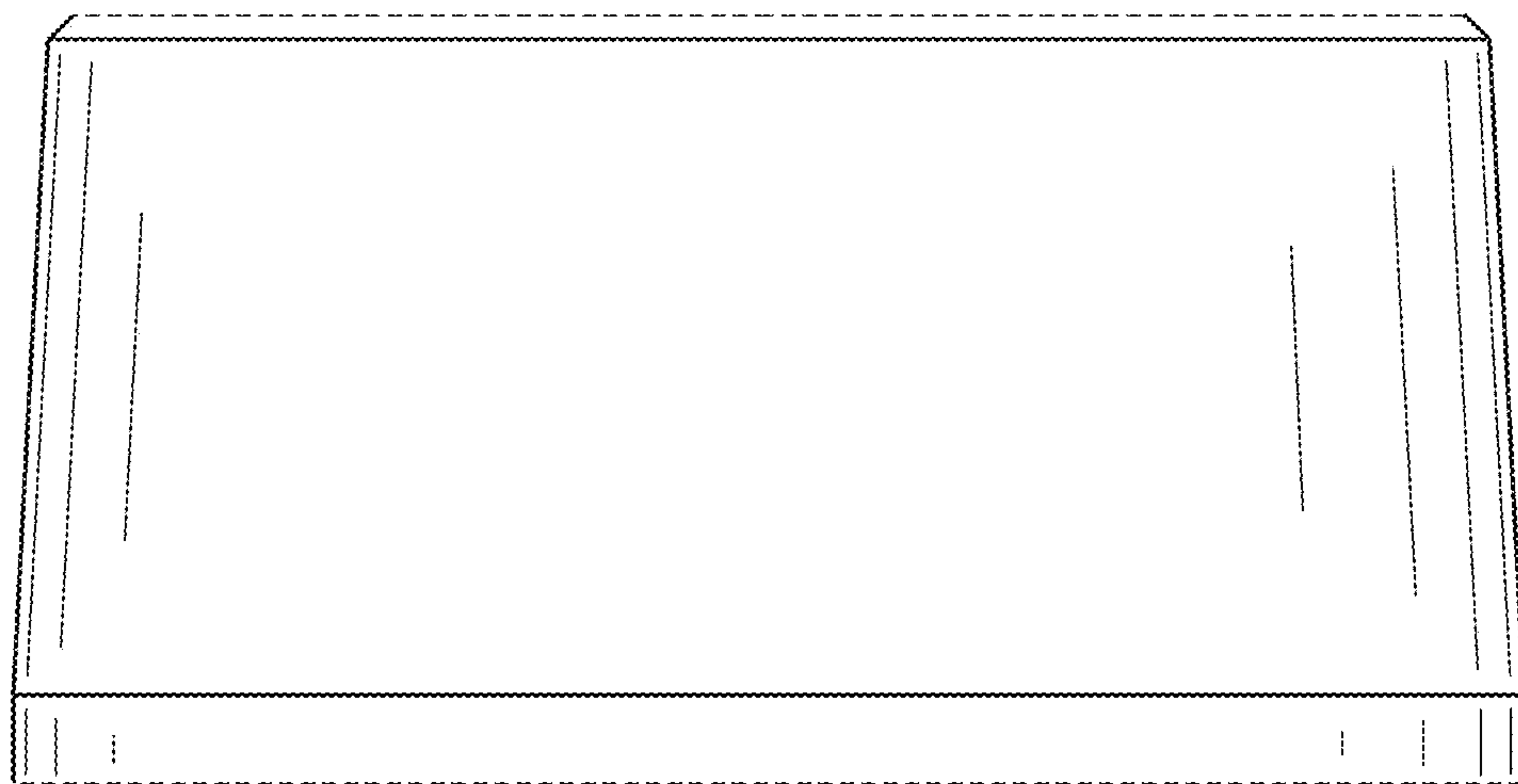


FIG. 5

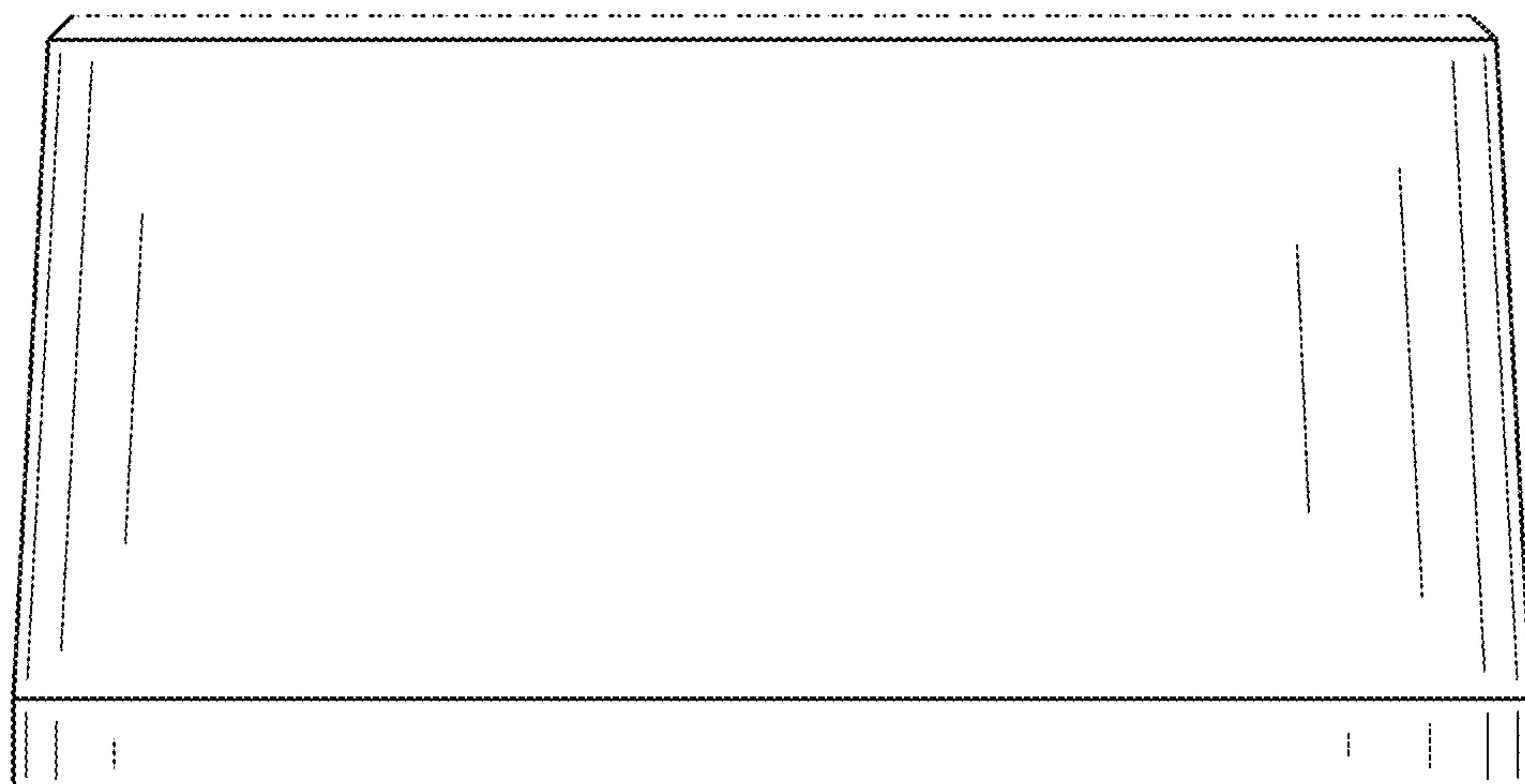


FIG. 6

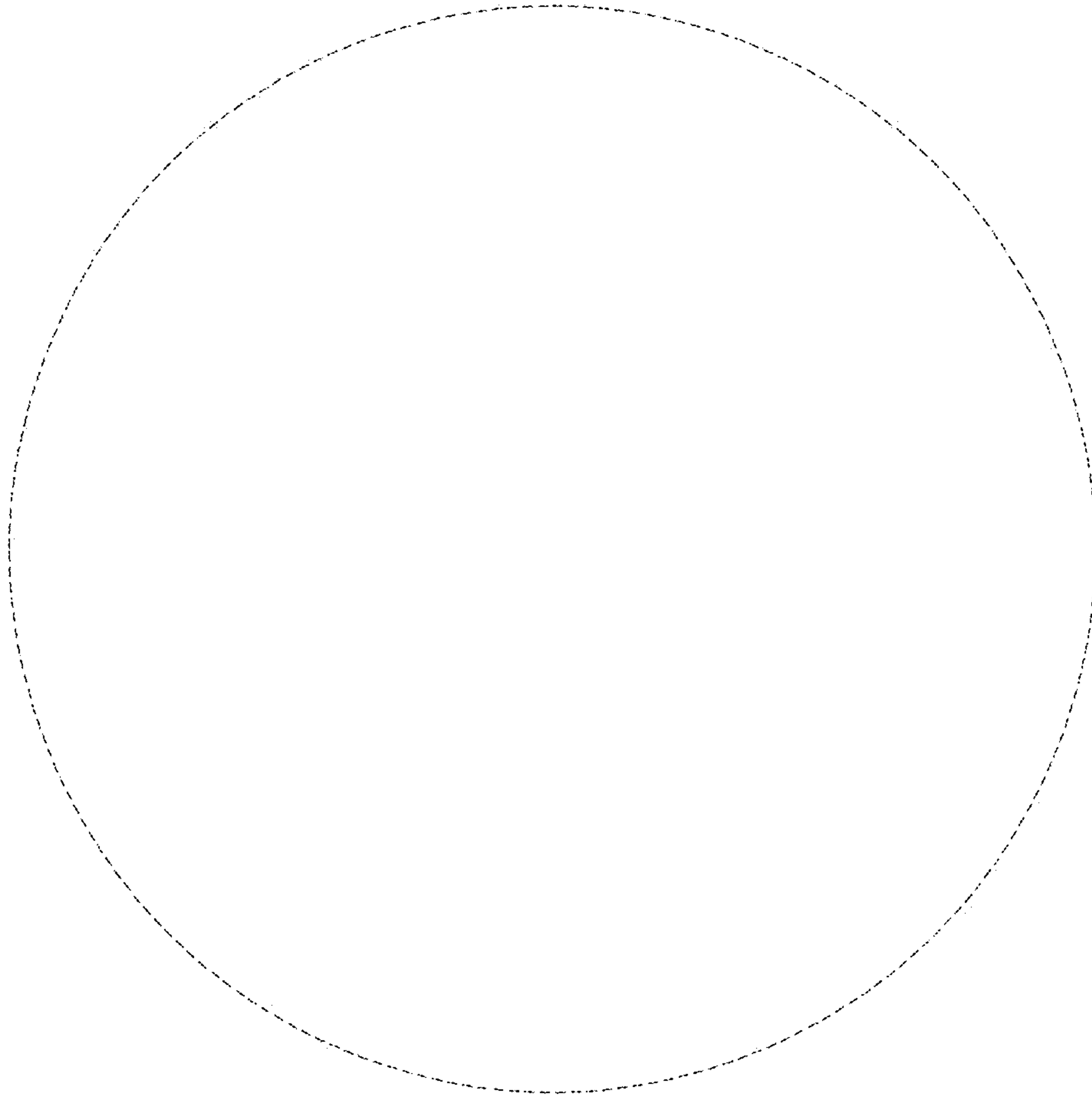


FIG. 7