



US00D896926S

(12) **United States Design Patent** (10) **Patent No.:** **US D896,926 S**
Shinozaki et al. (45) **Date of Patent:** **** Sep. 22, 2020**

(54) **CONTROL VALVE**
 (71) Applicant: **SMC CORPORATION**, Tokyo (JP)
 (72) Inventors: **Kenji Shinozaki**, Koshigaya (JP);
Kenji Moriyama, Tsukubamirai (JP);
Tadaaki Saka, Kashiwa (JP)
 (73) Assignee: **SMC CORPORATION**, Tokyo (JP)
 (**) Term: **15 Years**
 (21) Appl. No.: **29/731,000**
 (22) Filed: **Apr. 10, 2020**

D857,852 S 8/2019 Shinozaki et al.
 D857,853 S 8/2019 Shinozaki et al.
 D858,713 S 9/2019 Shinozaki et al.
 D871,551 S 12/2019 Shinozaki et al.
 D872,236 S 1/2020 Shinozaki et al.

FOREIGN PATENT DOCUMENTS

CN 301264916 S 6/2010
 CN 301321076 S 8/2010
 CN 301353224 S 9/2010
 CN 303267447 S 7/2015
 JP 1209708 S 6/2004
 JP 1464628 S 3/2013

OTHER PUBLICATIONS

U.S. Appl. No. 29/637,745, filed Feb. 21, 2018.

Related U.S. Application Data

(62) Division of application No. 29/637,745, filed on Feb. 21, 2018.

Foreign Application Priority Data

Sep. 8, 2017 (CN) 2017 3 0423995

(51) **LOC (12) Cl.** **23-01**
 (52) **U.S. Cl.**
 USPC **D23/245**

(58) **Field of Classification Search**
 USPC D23/233-249, 252, 262-264; 137/625.4,
 137/636.3, 636.2, 454.6, 14, 531, 315.18,
 137/533.11
 CPC F16K 7/17; F16K 11/0876; F16K 11/0782;
 F16K 11/0716
 See application file for complete search history.

References Cited

U.S. PATENT DOCUMENTS

D609,306 S 2/2010 Moriyama
 D609,307 S 2/2010 Moriyama
 D857,172 S 8/2019 Shinozaki et al.
 D857,851 S 8/2019 Shinozaki et al.

Primary Examiner — Gino Colan
 (74) *Attorney, Agent, or Firm* — Birch, Stewart, Kolasch & Birch, LLP

CLAIM

(57) The ornamental design for a control valve, as shown and described.

DESCRIPTION

FIG. 1 is a front, top and right side perspective view of a control valve showing our new design;
 FIG. 2 is a rear, bottom and left side perspective view thereof;
 FIG. 3 is a front view thereof;
 FIG. 4 is a rear view thereof;
 FIG. 5 is a top plan view thereof;
 FIG. 6 is a bottom plan view thereof;
 FIG. 7 is a left side view thereof; and,
 FIG. 8 is a right side view thereof.
 The broken lines depict portions of the control valve that form no part of the claimed design.

1 Claim, 8 Drawing Sheets

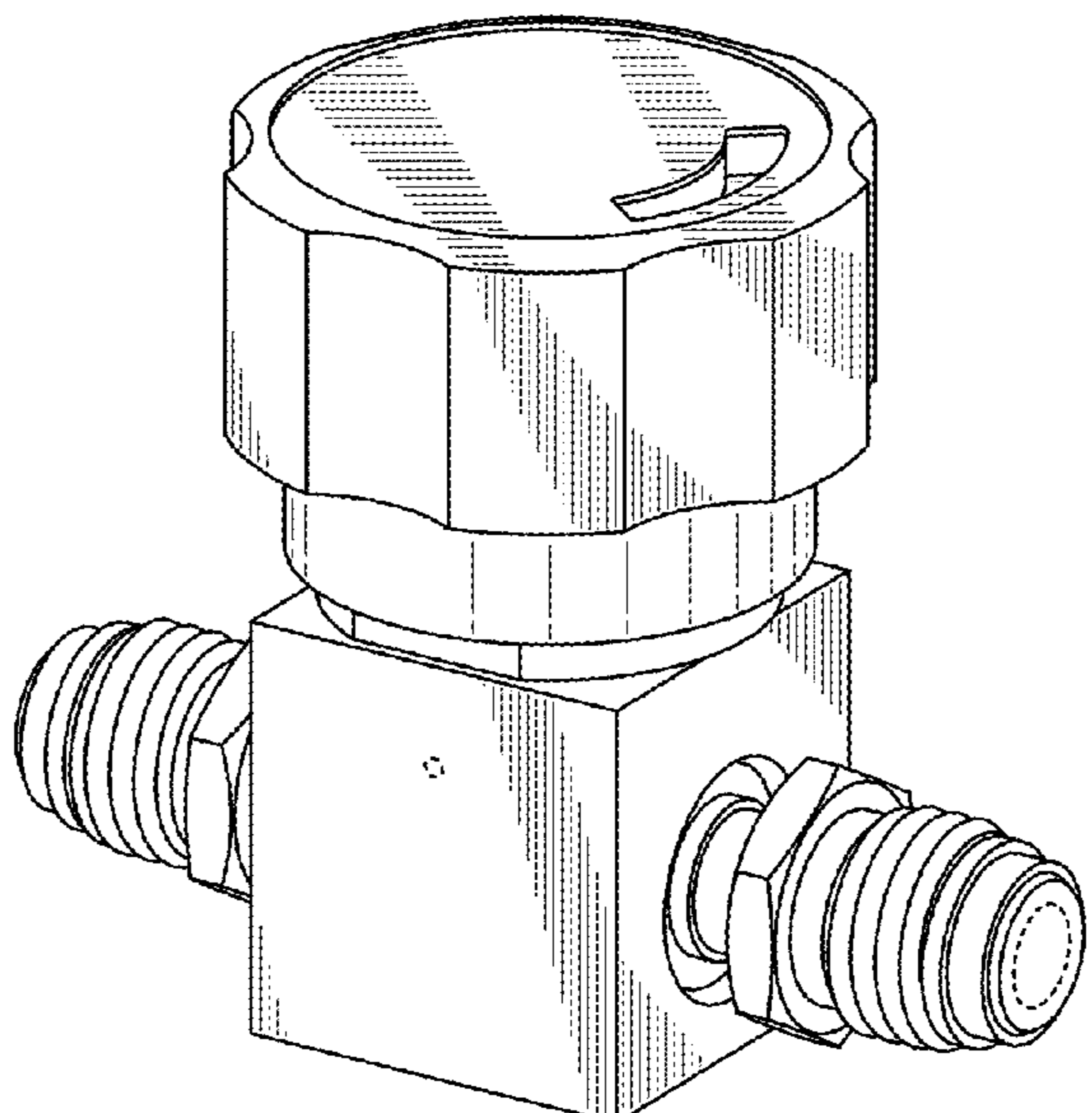


FIG. 1

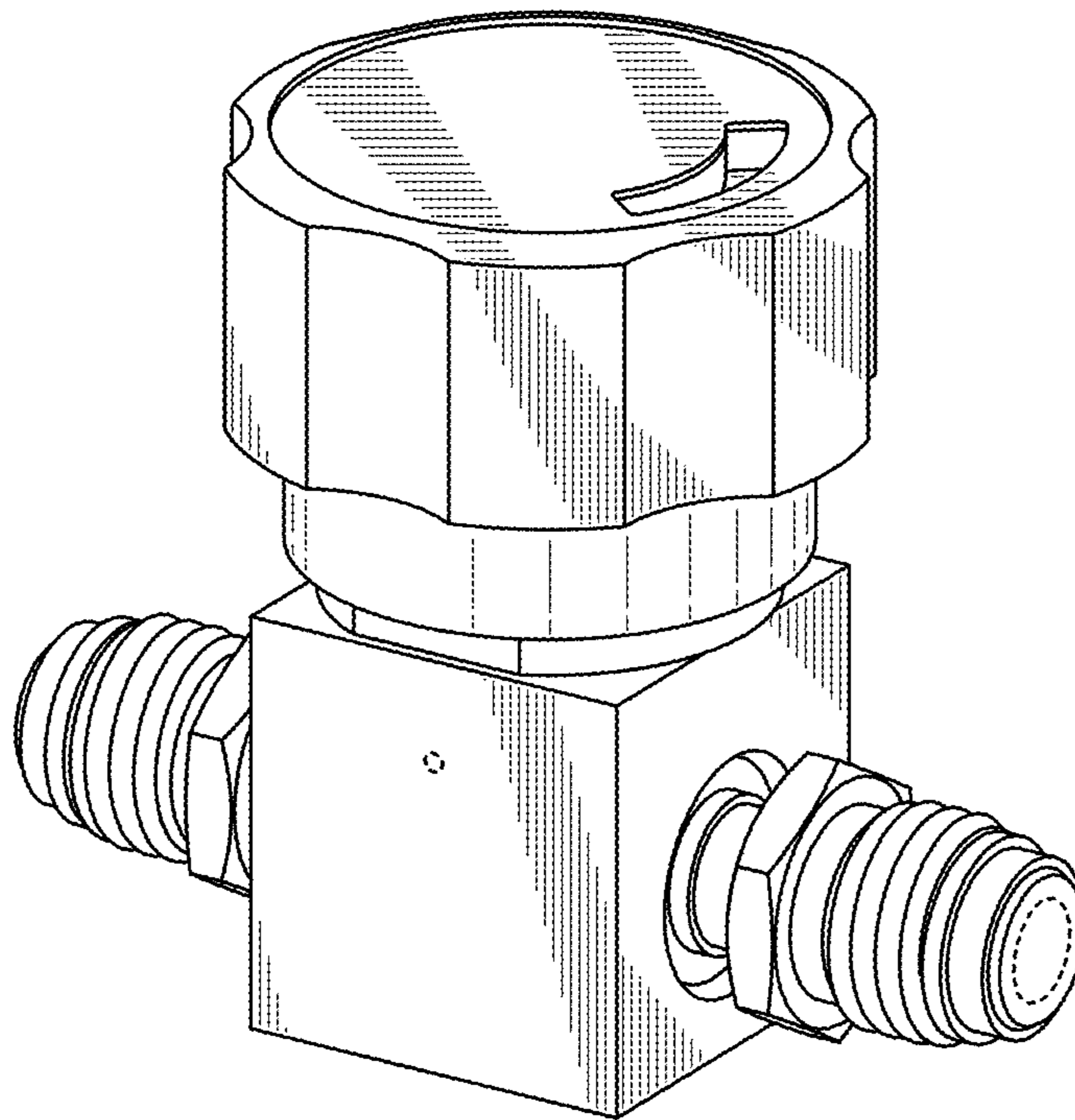


FIG. 2

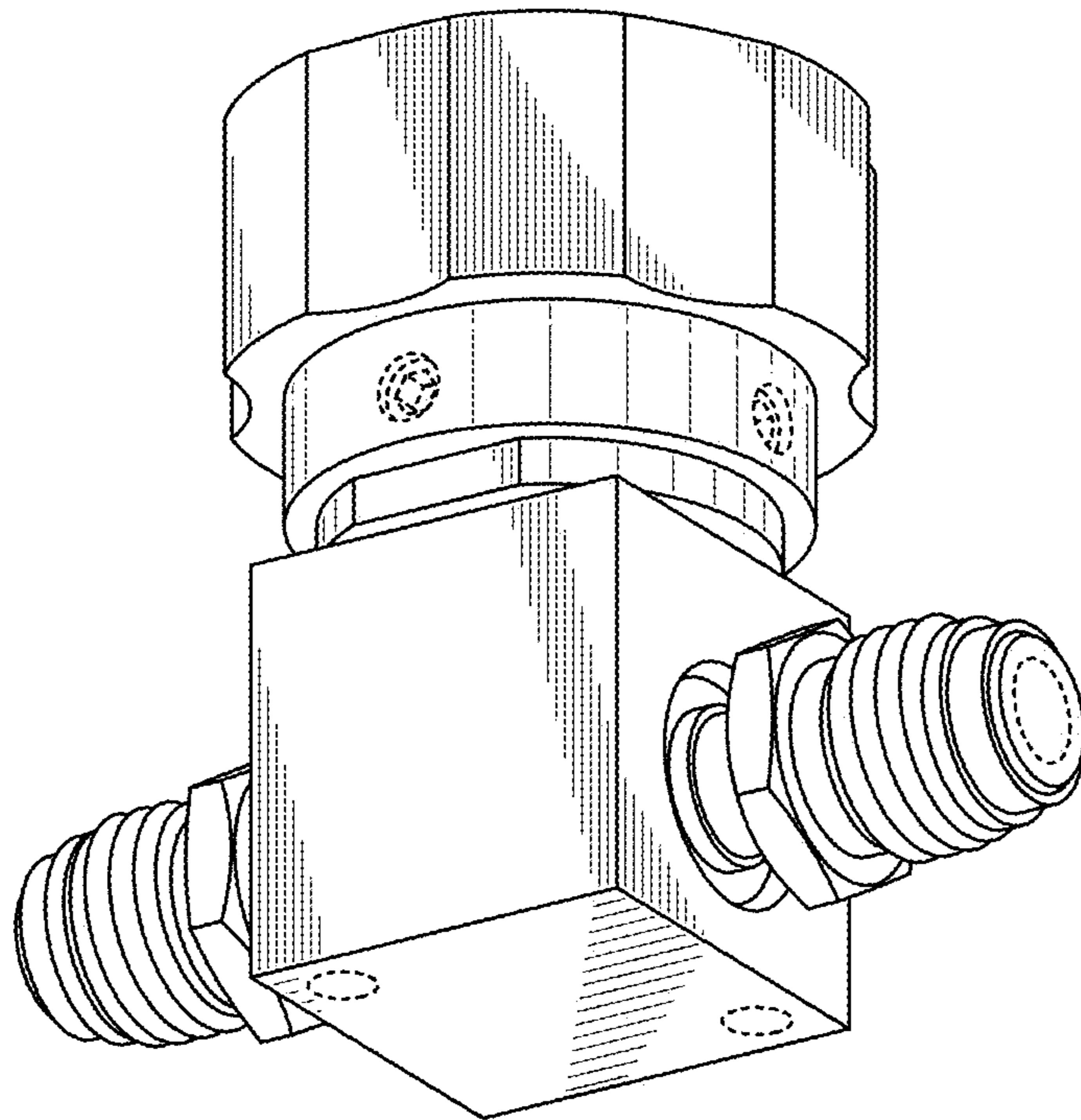


FIG. 3

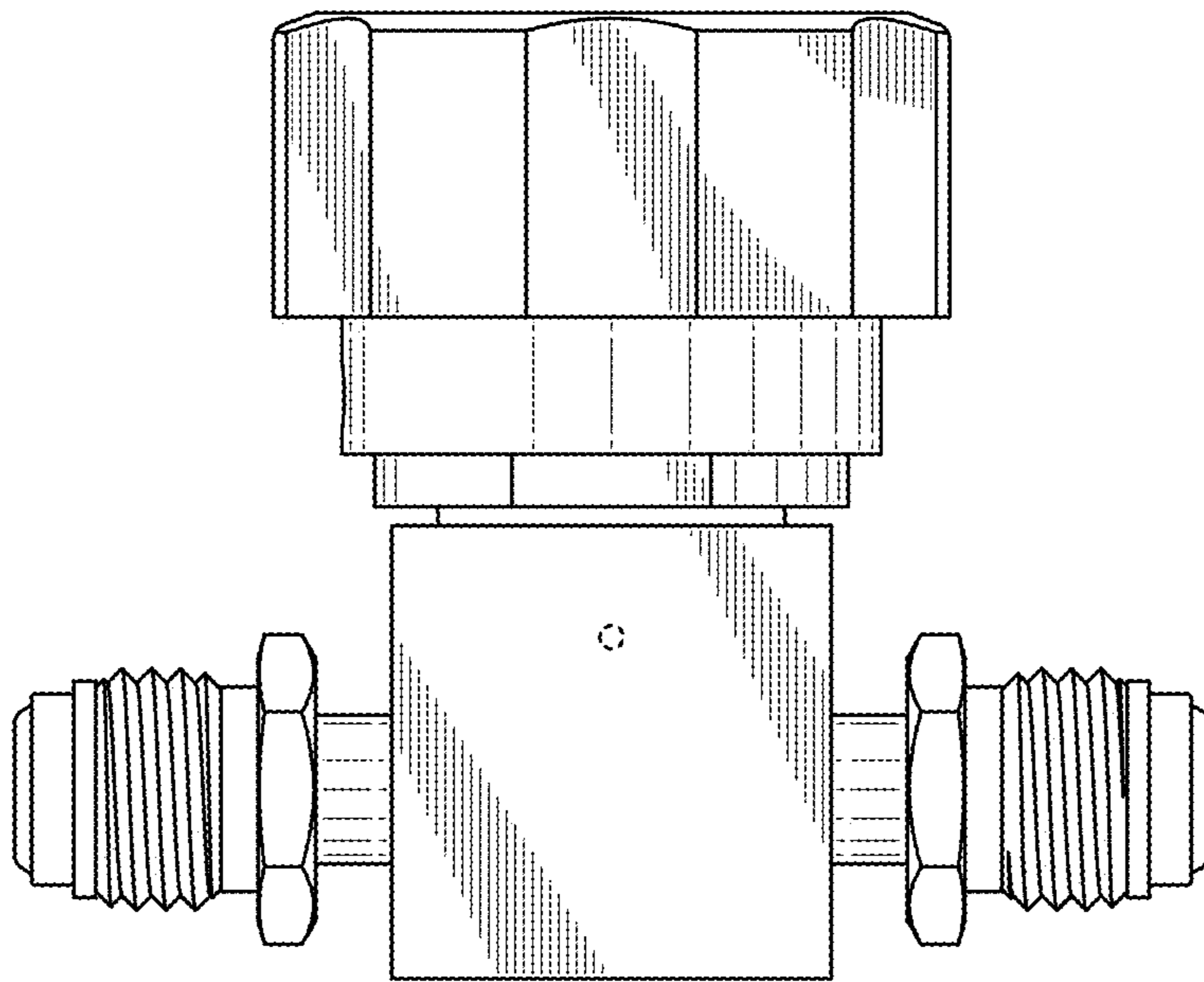


FIG. 4

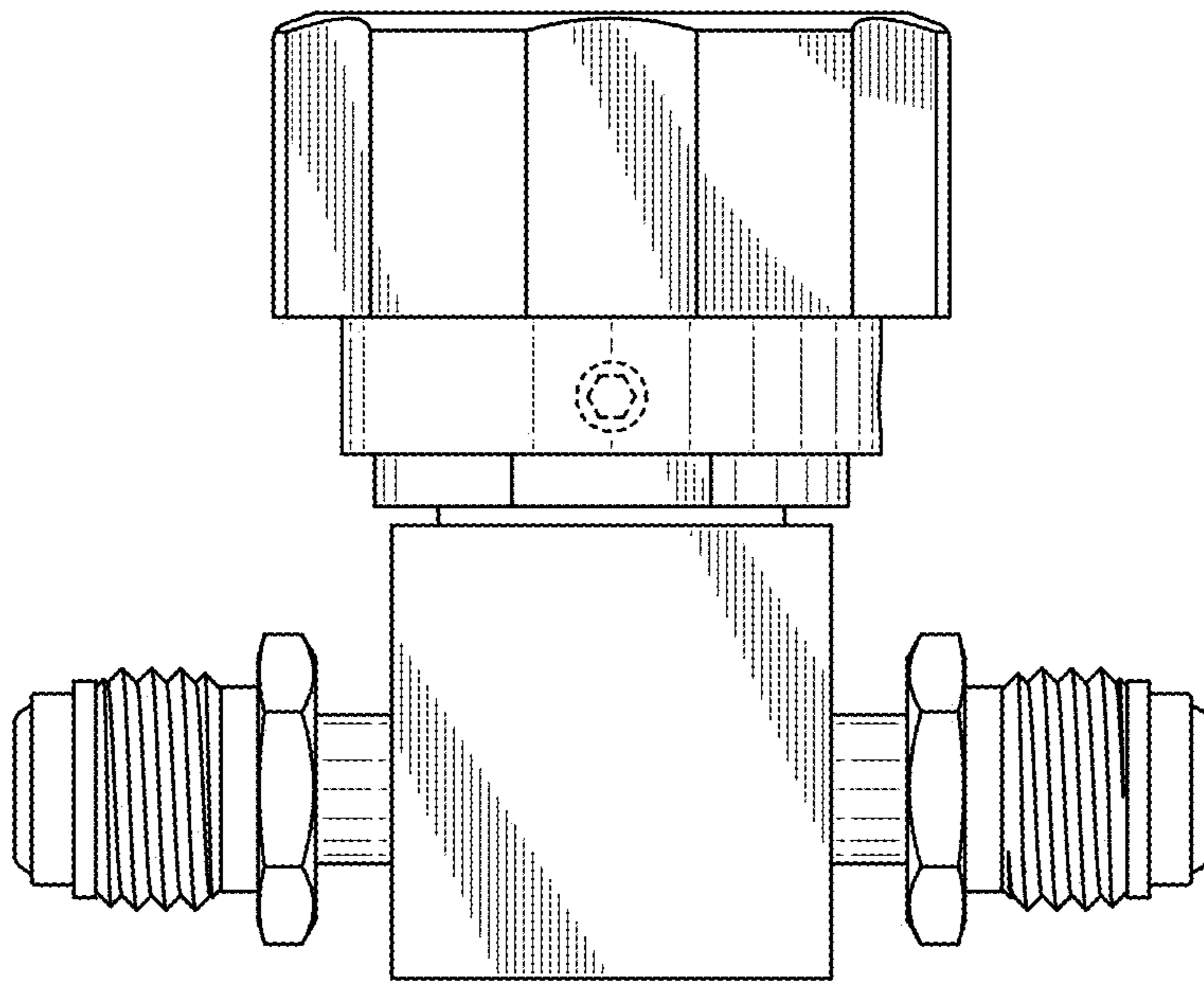


FIG. 5

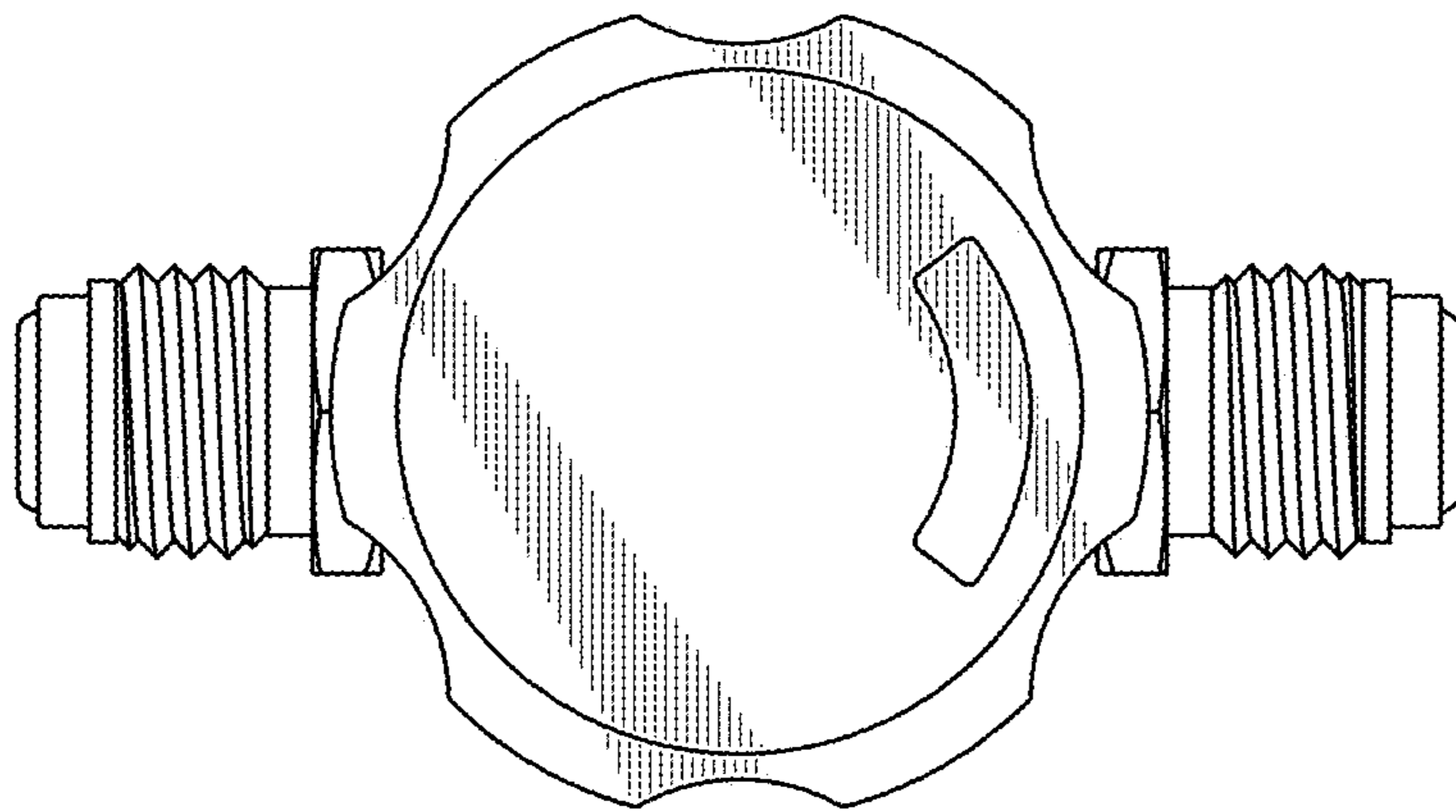


FIG. 6

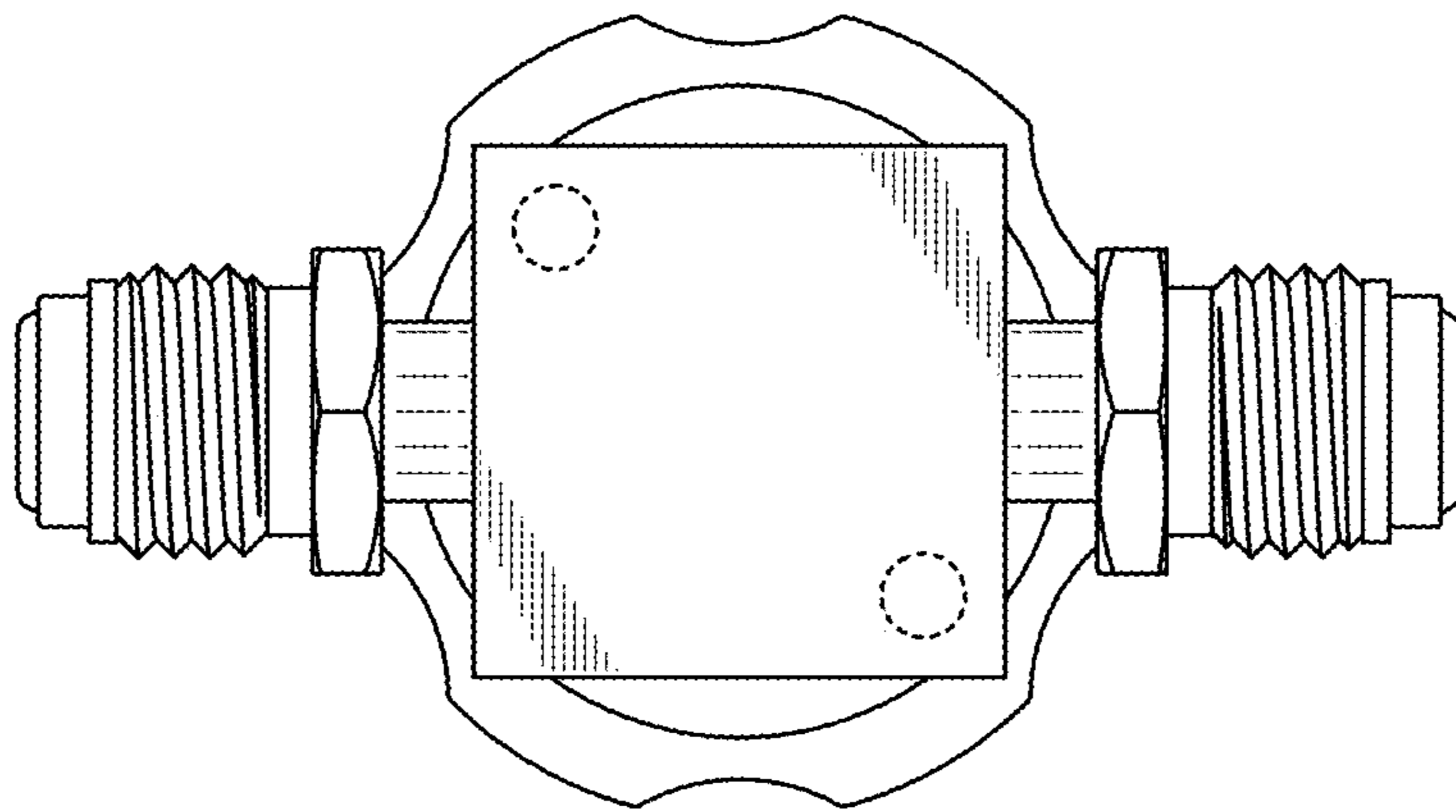


FIG. 7

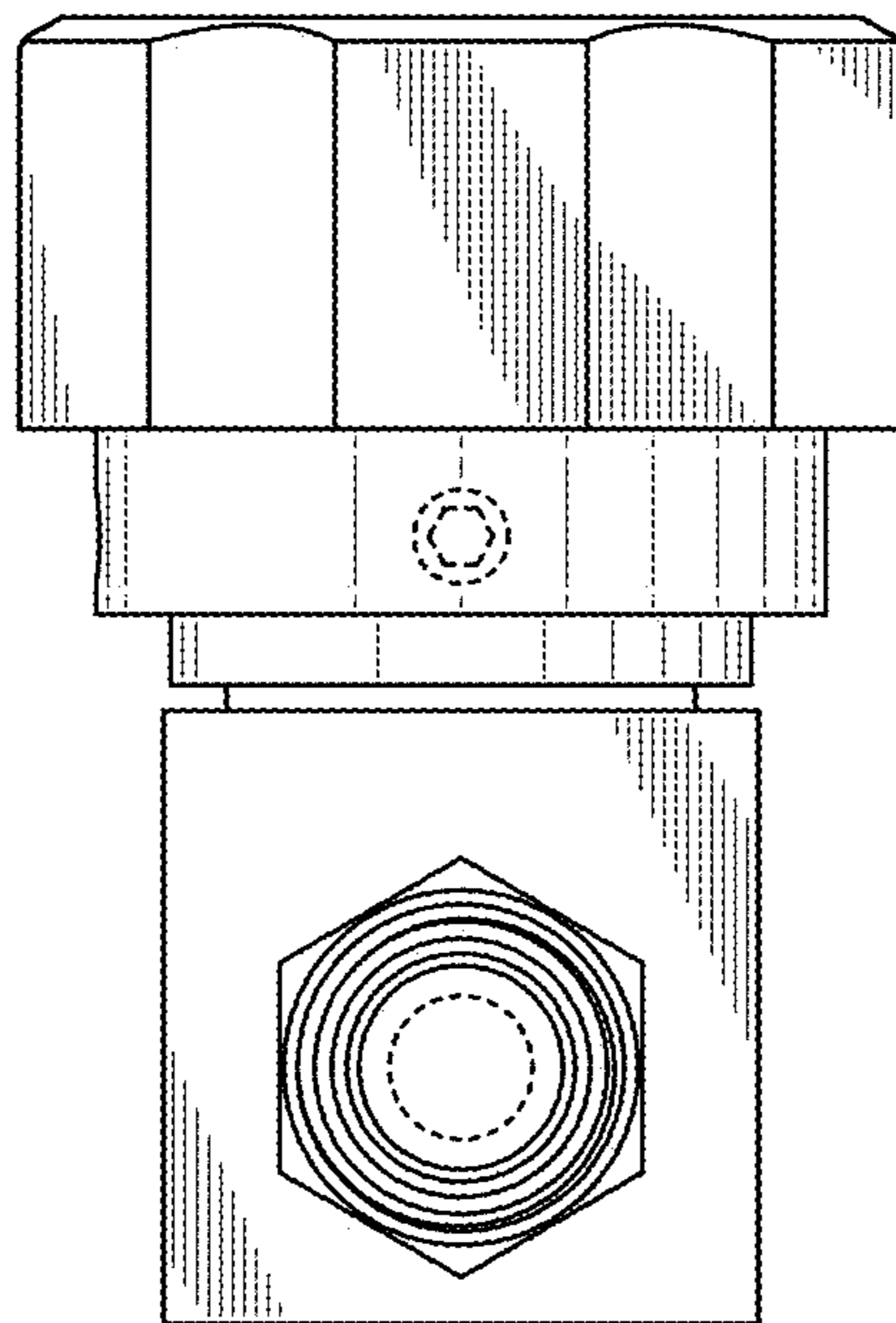


FIG. 8

