



US00D896925S

(12) **United States Design Patent** (10) **Patent No.:** **US D896,925 S**
Liu (45) **Date of Patent:** **** Sep. 22, 2020**

(54) **W-SHAPED FAUCET BODY**

- (71) Applicant: **Zhiyue Liu**, Hunan (CN)
- (72) Inventor: **Zhiyue Liu**, Hunan (CN)
- (73) Assignee: **Kaiping Yueshan Town Zhen Bo Chuan Sanitary Equipment Factory**, Kaiping (CN)
- (**) Term: **15 Years**
- (21) Appl. No.: **29/729,641**
- (22) Filed: **Mar. 29, 2020**
- (51) **LOC (12) Cl.** **23-01**
- (52) **U.S. Cl.**
USPC **D23/241**
- (58) **Field of Classification Search**
USPC D23/238–243, 249, 252, 245
CPC Y10T 137/9464; E03C 1/0404
See application file for complete search history.

(56) **References Cited**

U.S. PATENT DOCUMENTS

| | | | | | |
|------------|---|---------|--------------|-------|---------|
| D426,289 S | * | 6/2000 | Levine | | D23/242 |
| D459,444 S | * | 6/2002 | Chen | | D23/252 |
| D522,095 S | * | 5/2006 | Chung | | D23/241 |
| D522,622 S | * | 6/2006 | Chung | | D23/241 |
| D579,082 S | | 10/2008 | Yuan | | |
| D581,498 S | | 11/2008 | Dolan | | |
| D654,570 S | | 2/2012 | Yu | | |
| D712,521 S | | 9/2014 | Smith et al. | | |
| D714,911 S | * | 10/2014 | Cai | | D23/249 |
| D714,913 S | | 10/2014 | Smith et al. | | |
| D791,282 S | | 7/2017 | Bahler | | |
| D811,556 S | | 2/2018 | Garland | | |
| D877,861 S | | 3/2020 | Garland | | |

OTHER PUBLICATIONS

JZBRAIN 8 Inch Center Commercial Faucet Wall Mount Kitchen Faucet, Dec. 2017.*
 JZBRAIN 8 Inch Center Commercial Faucet Wall Mount Kitchen Faucet (Year: 2019).*
 DuraSteel Commercial Duty Wall Mount Faucet—8" Center with 6" Swing Nozzle Spout—Dual Lever Handles—Chrome Polished and Brass Constructed Body—NSF Approved https://www.amazon.com/DuraSteel-Commercial-Duty-Mount-Faucet/dp/B016J2WR2Q/ref=sr_1_8?dchild=1&keywords=wall+mount+faucet+body&qid=1585302735&sr=8-8.

* cited by examiner

Primary Examiner — Robert A Delehanty

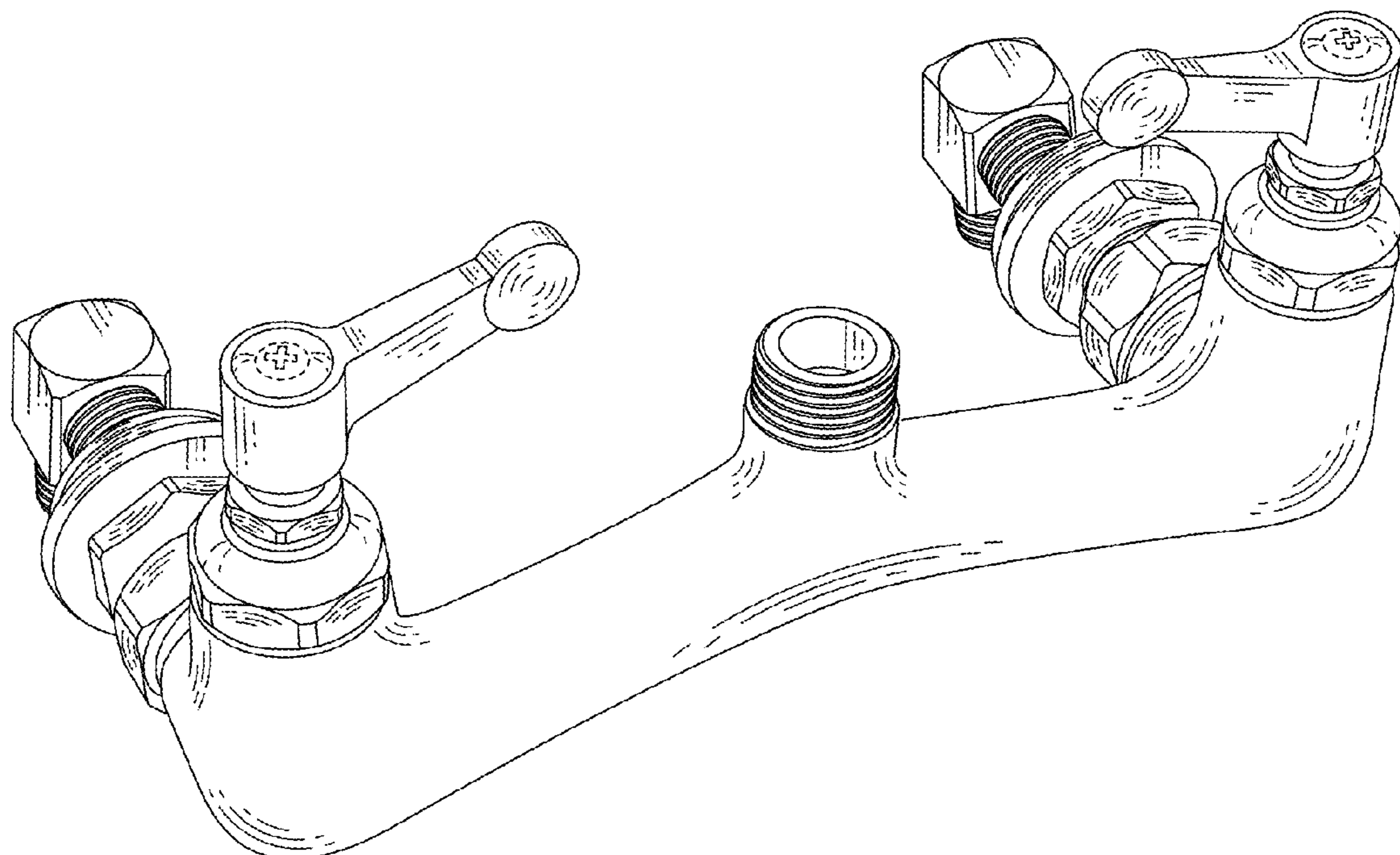
(57) **CLAIM**

The ornamental design for a W-shaped faucet body, as shown and described.

DESCRIPTION

FIG. 1 is a perspective view of a W-shaped faucet body showing my new design;
 FIG. 2 is a front elevational view thereof;
 FIG. 3 is a rear elevational view thereof;
 FIG. 4 is a left side elevational view thereof;
 FIG. 5 is a right side elevational view thereof;
 FIG. 6 is a top plan view thereof; and,
 FIG. 7 is a bottom plan view thereof.
 The broken lines throughout the drawing figures depict portions of the W-shaped faucet body that form no part of the claimed design.

1 Claim, 7 Drawing Sheets



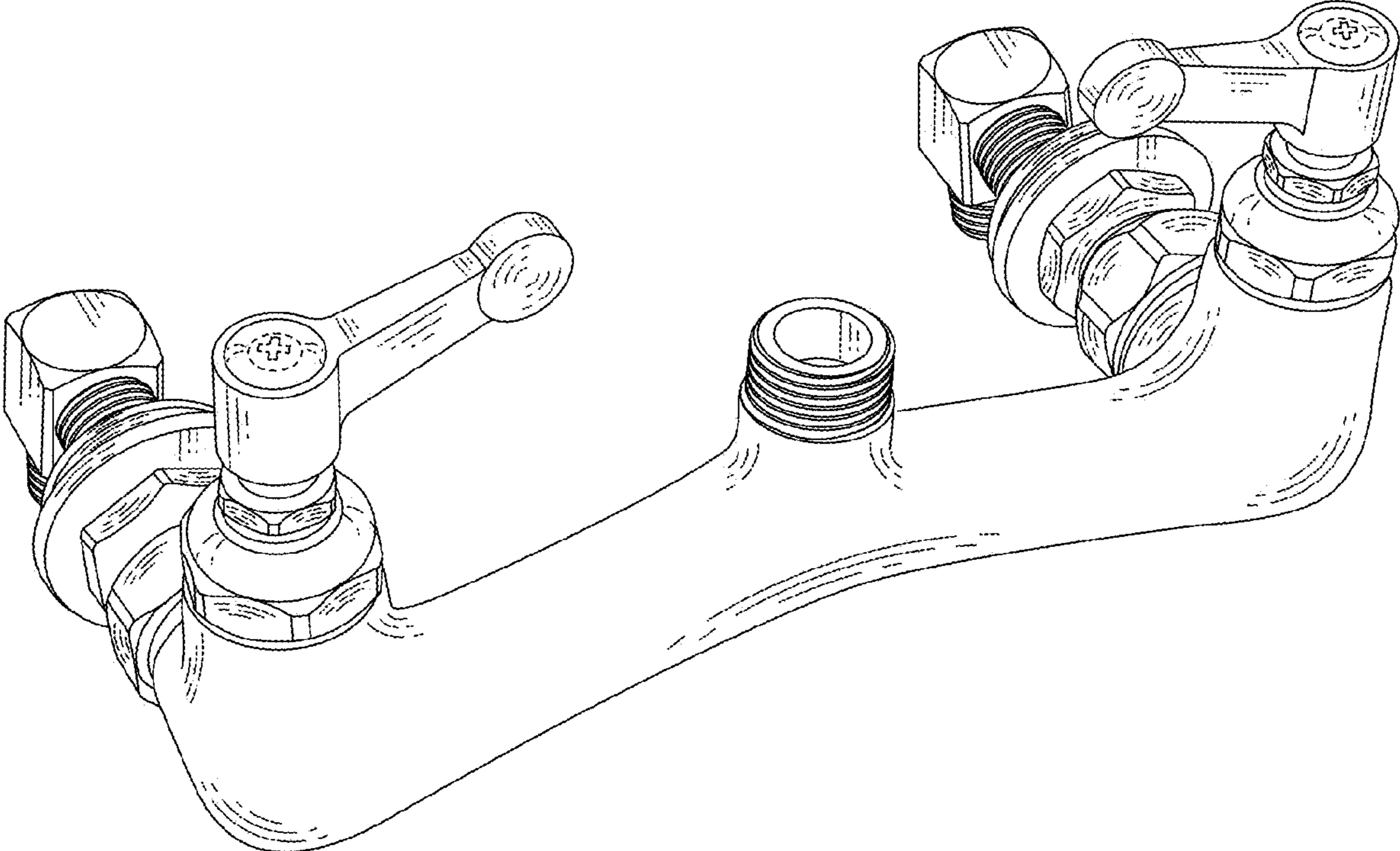


FIG.1

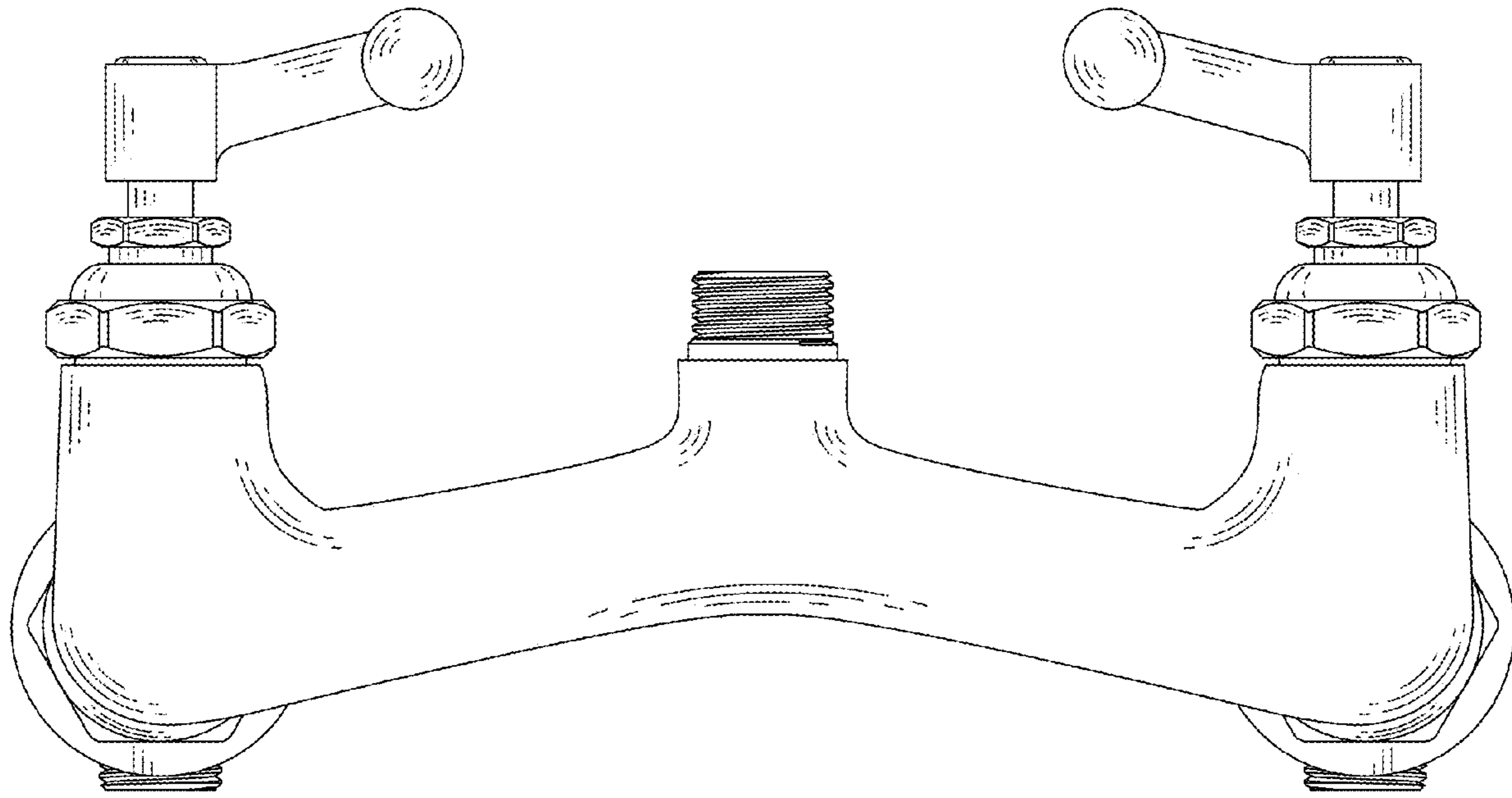


FIG.2

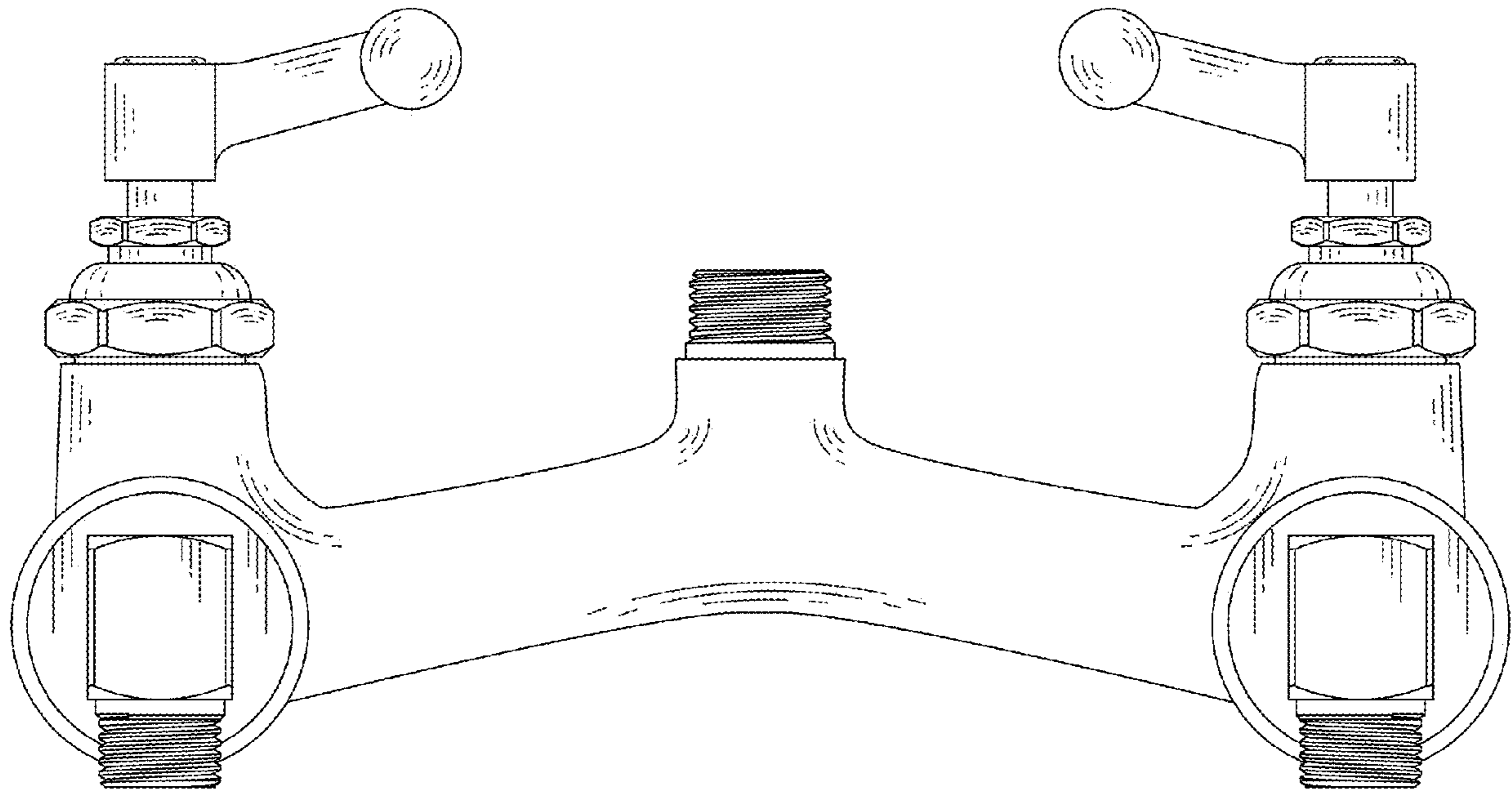


FIG.3

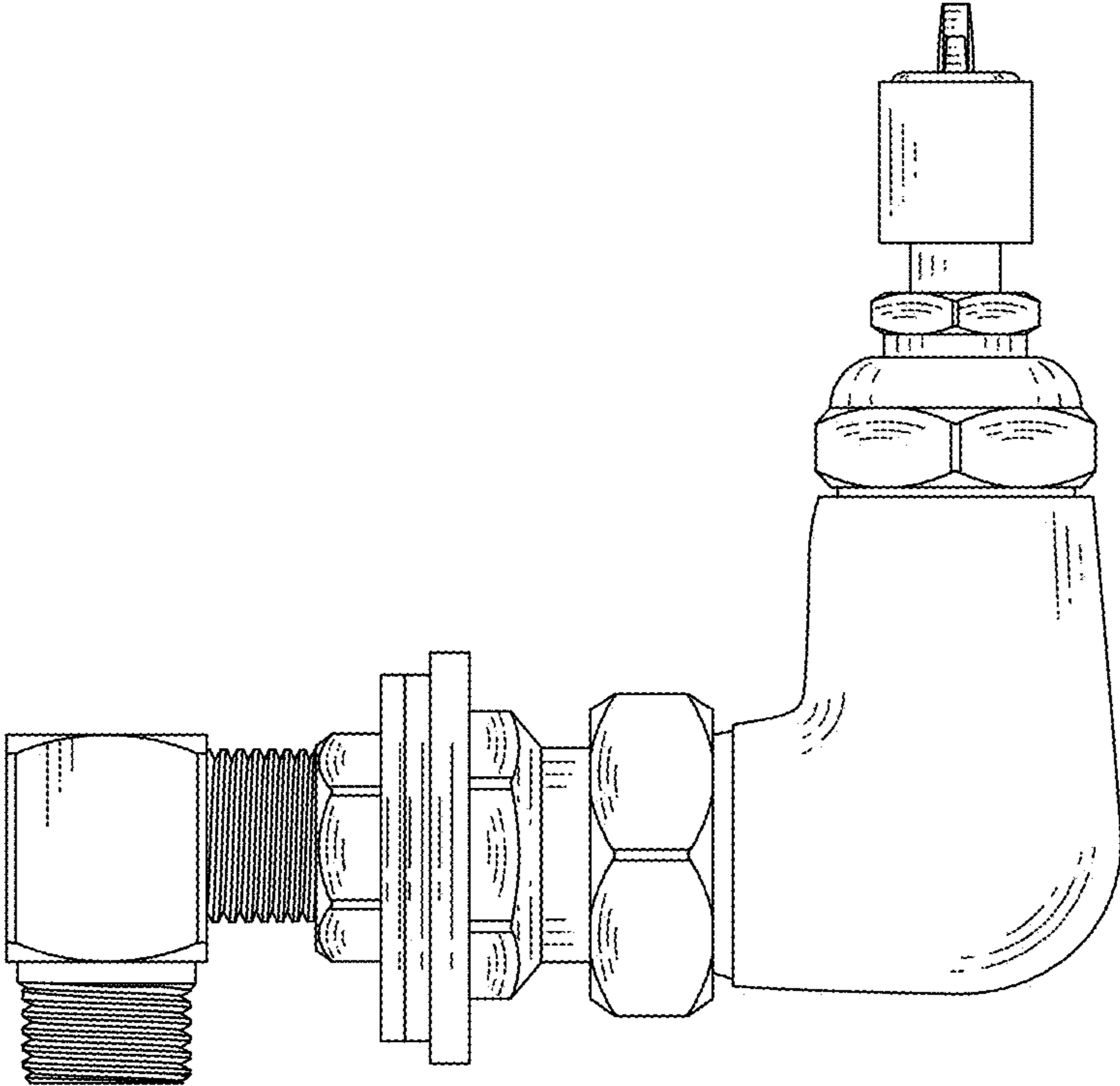


FIG.4

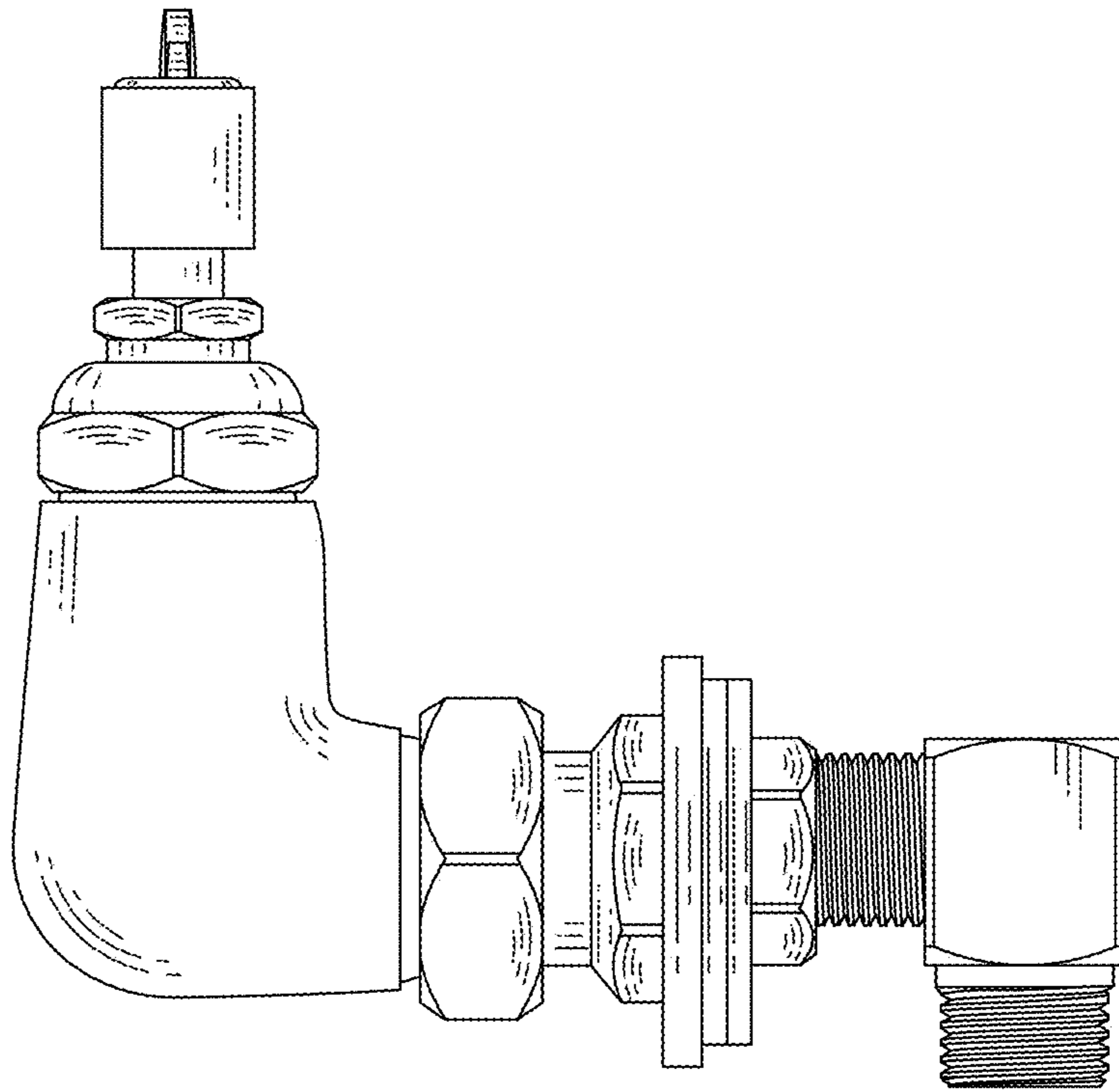


FIG.5

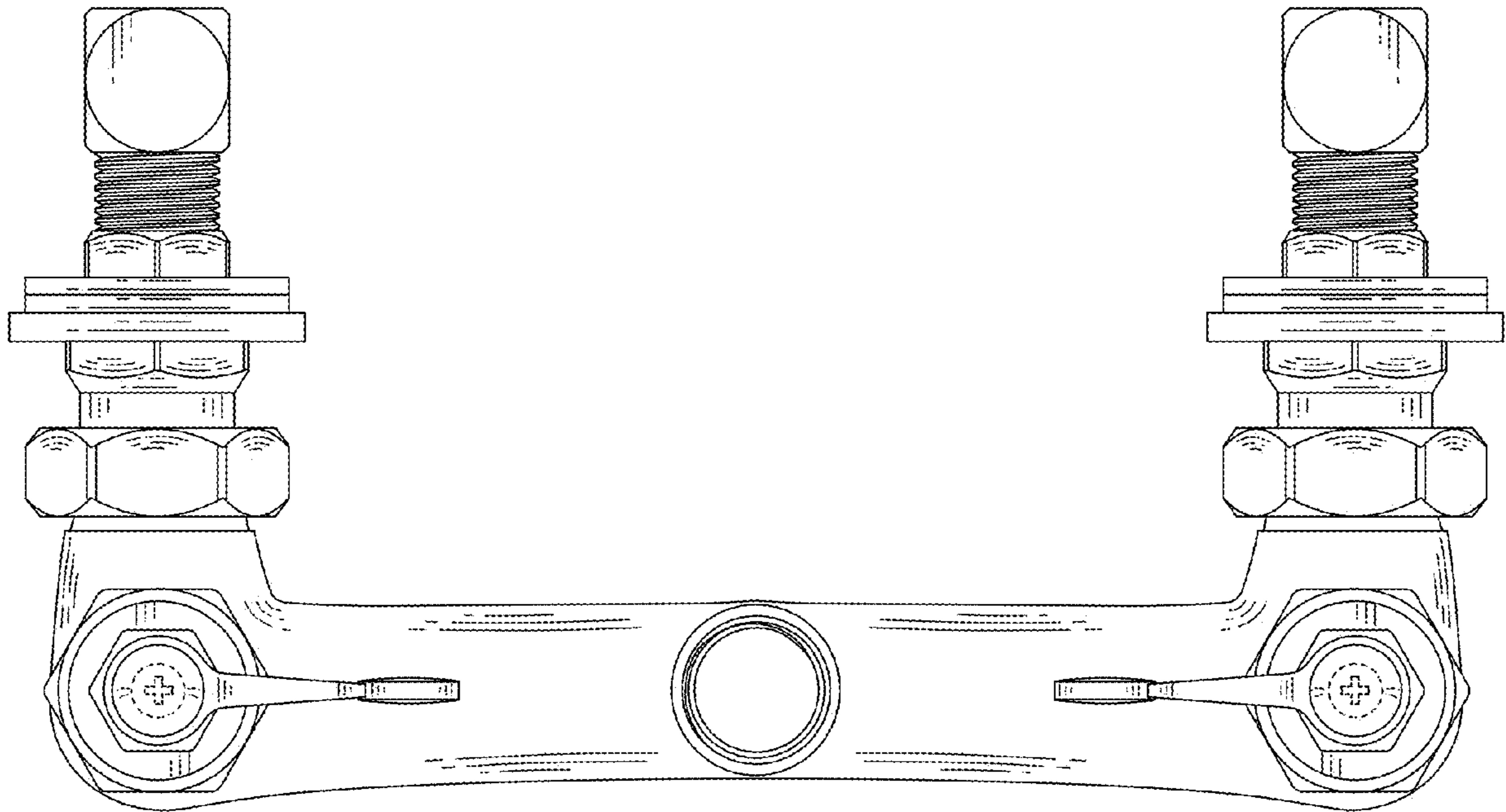


FIG.6

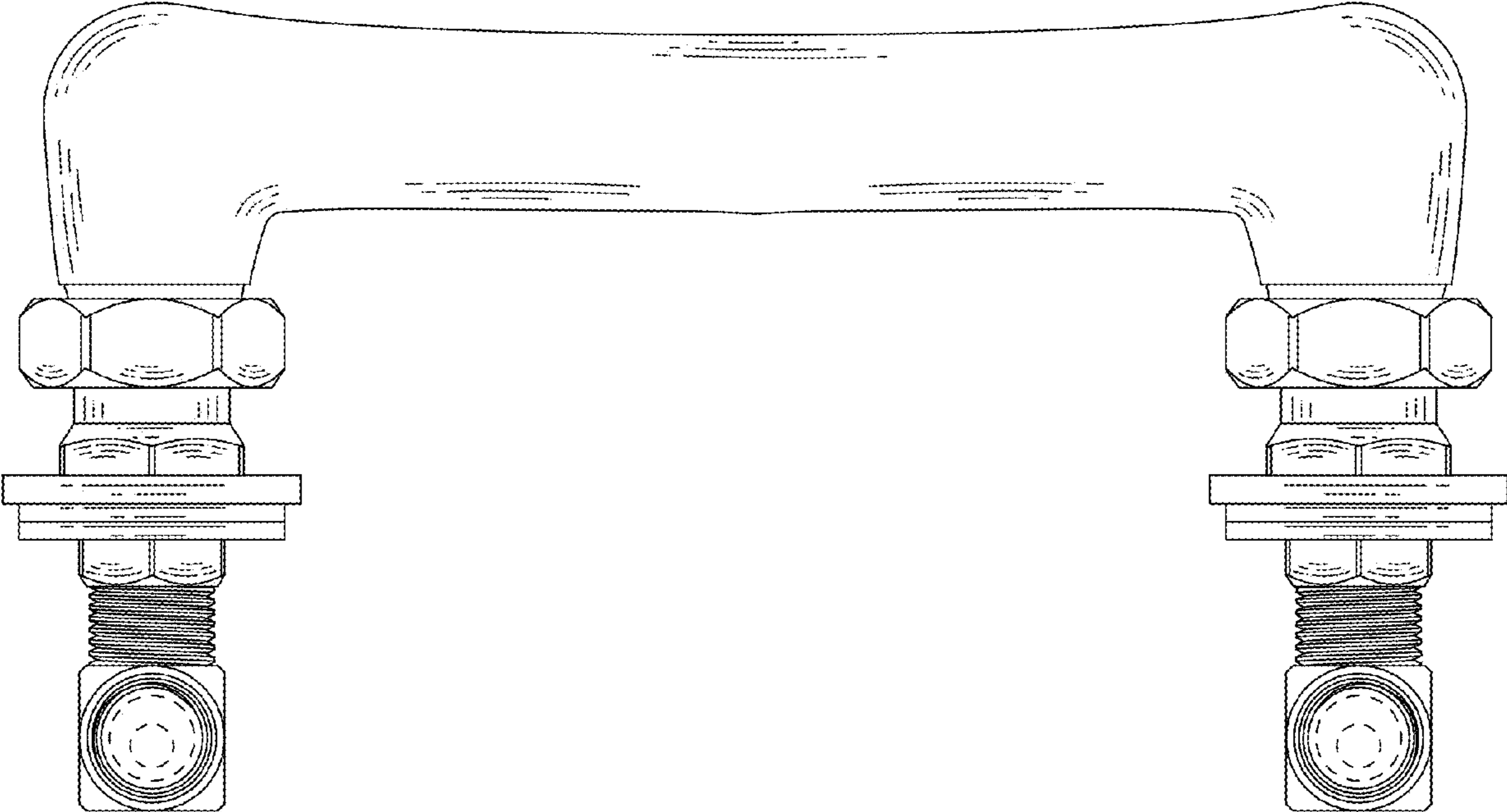


FIG.7