



US00D896924S

(12) **United States Design Patent** (10) **Patent No.:** **US D896,924 S**  
**Takahashi et al.** (45) **Date of Patent:** **\*\* Sep. 22, 2020**

(54) **FAUCET**

(71) Applicant: **TOTO, Ltd.**, Kitakyushu-shi, Fukuoka (JP)

(72) Inventors: **Yasushi Takahashi**, Kitakyushu (JP);  
**Shogo Takayama**, Kitakyushu (JP);  
**Takanori Shimazoe**, Kitakyushu (JP);  
**Kanako Fukuoka**, Kitakyushu (JP);  
**Tomohiro Miyazaki**, Kitakyushu (JP);  
**Mark Sydavong**, Singapore (SG)

(73) Assignee: **TOTO, Ltd.**, Kitakyushu-shi, Fukuoka (JP)

(\*\*) Term: **15 Years**

(21) Appl. No.: **29/685,651**

(22) Filed: **Mar. 29, 2019**

(30) **Foreign Application Priority Data**

Dec. 27, 2018 (JP) ..... 2018-028769

(51) **LOC (12) Cl.** ..... **23-01**

(52) **U.S. Cl.**  
USPC ..... **D23/238**

(58) **Field of Classification Search**  
USPC ..... D23/238-242, 252, 254, 255, 257  
CPC ..... G05D 23/13; E03C 1/04  
See application file for complete search history.

(56) **References Cited**

**U.S. PATENT DOCUMENTS**

D461,230 S *	8/2002	Ko	.....	D23/255
D496,717 S *	9/2004	Svendsen	.....	D23/238
D522,092 S *	5/2006	Hoernig	.....	D23/238
D567,907 S *	4/2008	Kohler, Jr.	.....	D23/238
D625,778 S *	10/2010	Sandee	.....	D23/238
D846,710 S *	4/2019	Garland	.....	D23/255
D848,577 S *	5/2019	Garland	.....	D23/255

D855,769 S *	8/2019	Eads	.....	D23/238
D886,244 S *	6/2020	Eads	.....	D23/255
2017/0107704 A1 *	4/2017	Wang	.....	A47K 5/1211
2017/0285670 A1 *	10/2017	Pirutin	.....	E03C 1/0404
2018/0298595 A1 *	10/2018	Eads	.....	E03C 1/0404

**FOREIGN PATENT DOCUMENTS**

CN	303597469	*	9/2015
CN	304006903	*	6/2016
WO	202302-008	*	3/2019

**OTHER PUBLICATIONS**

Vanity Sink Faucet, Announced Dec. 13, 2016[online], [site visited Jun. 30, 2020]. Available from internet, URL:<<https://www.amazon.com/Hiendure-Control-Centerset-Bathroom-Rectangle/dp/B01N9H1KT2>> (Year: 2016).\*

(Continued)

*Primary Examiner* — Barbara Fox

*Assistant Examiner* — Jamaal Rasheed

(74) *Attorney, Agent, or Firm* — Banner & Witcoff, Ltd.

(57) **CLAIM**

The ornamental design for a faucet, as shown and described.

**DESCRIPTION**

FIG. 1 is a perspective view of a faucet showing our new design;

FIG. 2 is a front view thereof;

FIG. 3 is a rear view thereof;

FIG. 4 is a left side view thereof;

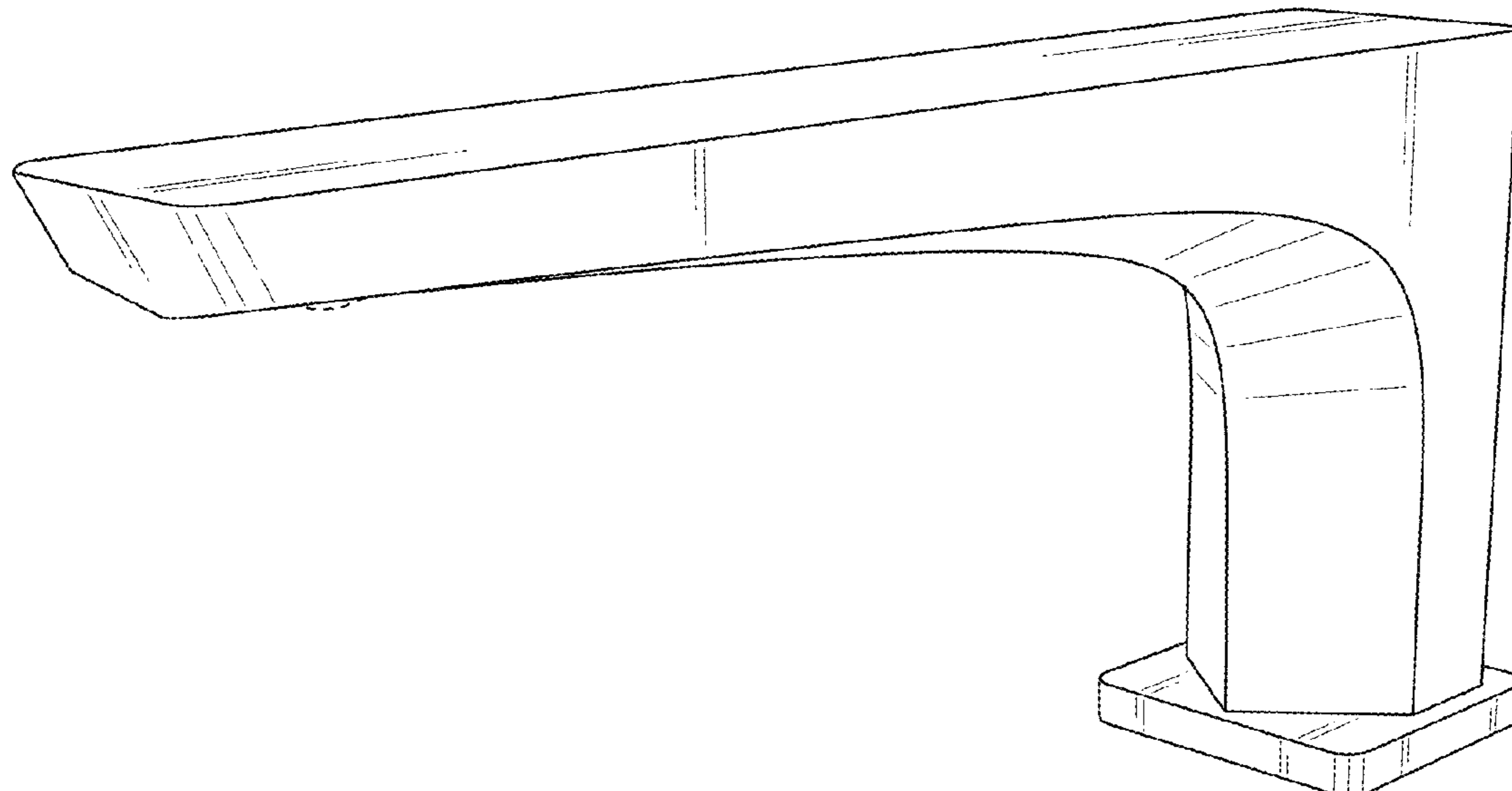
FIG. 5 is a right side view thereof;

FIG. 6 is a top view thereof; and,

FIG. 7 is a bottom view thereof.

The broken lines shown in the figures are included for the purpose of illustrating portions of the faucet that form no part of the claimed design.

**1 Claim, 4 Drawing Sheets**



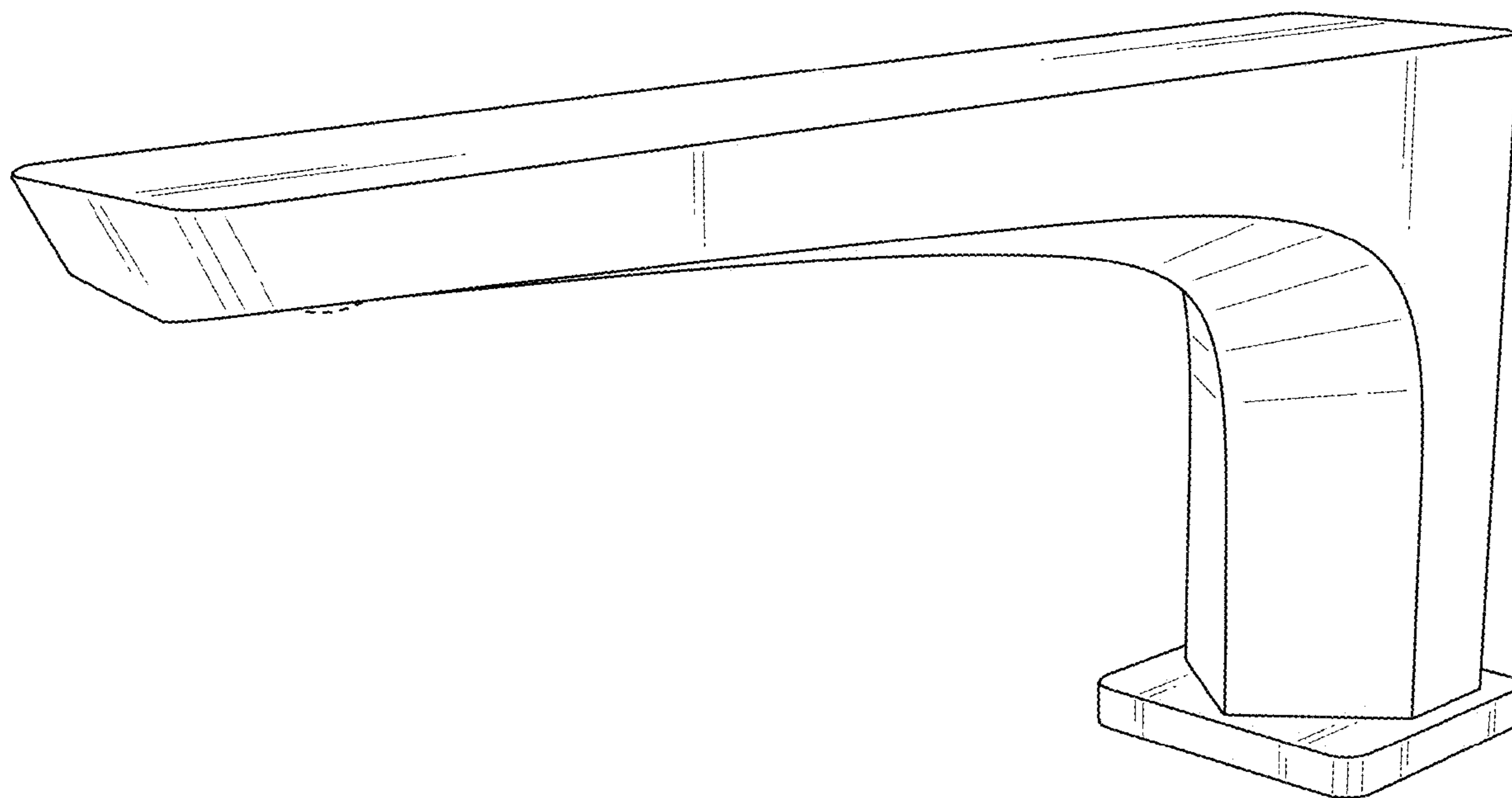
(56)

**References Cited**

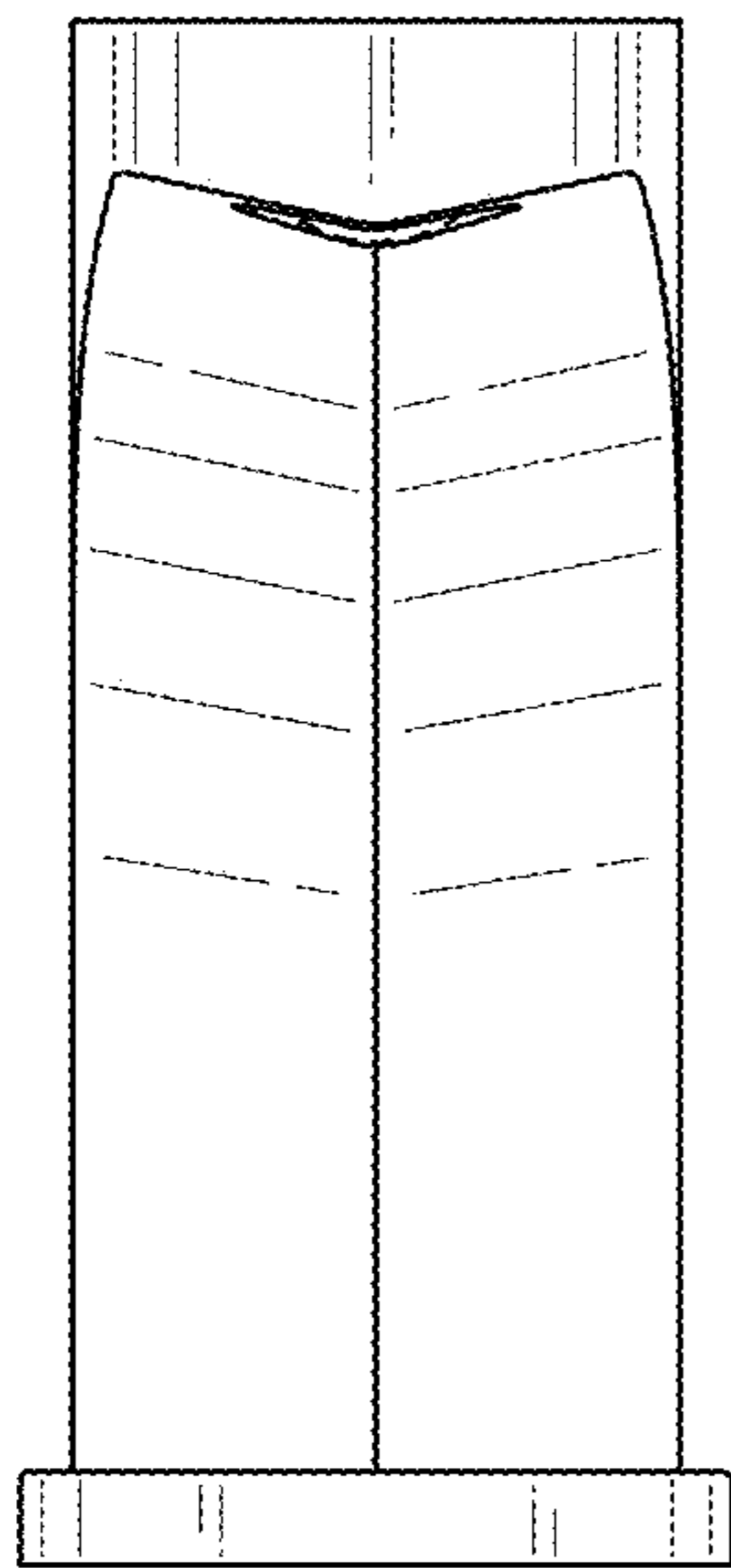
OTHER PUBLICATIONS

Bathroom Faucet 3, Announced Feb. 13, 2018[online], [site visited Jun. 30, 2020]. Available from internet, URL:<<https://www.amazon.com/Peerless-P3519LF-BN-Widespread-Bathroom-Brushed/dp/B079SW7HF4>> (Year: 2018).\*

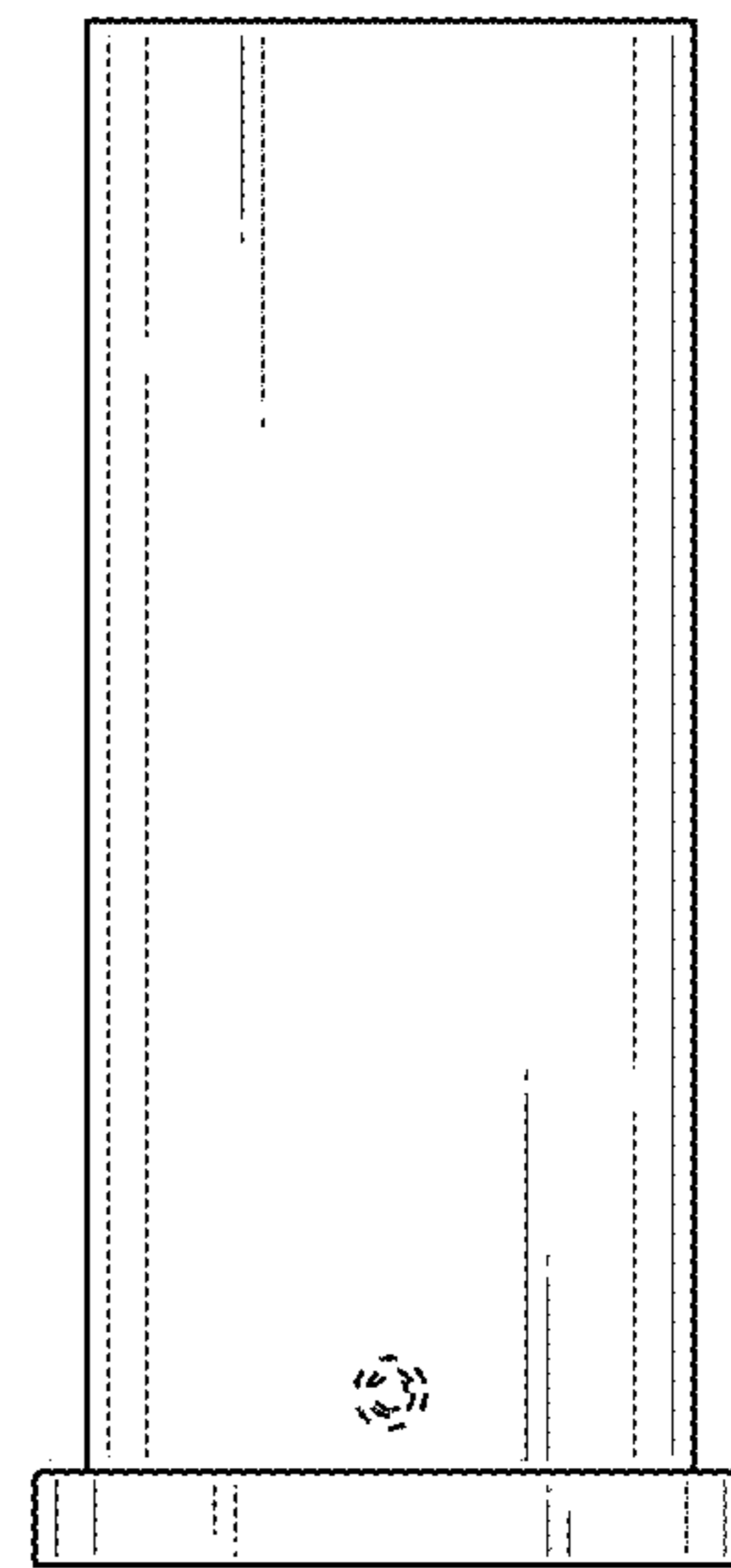
\* cited by examiner



*FIG. 1*



*FIG. 2*



*FIG. 3*

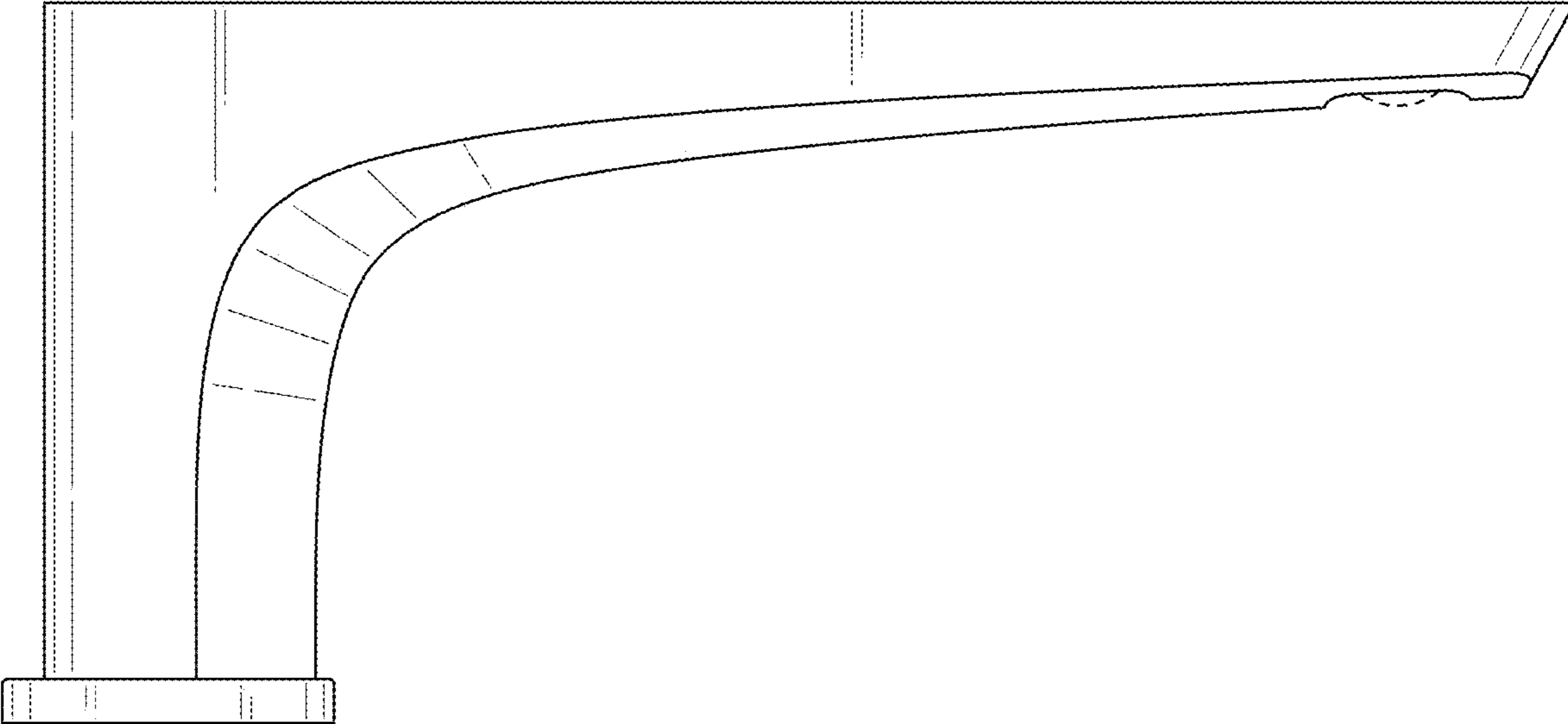


FIG. 4

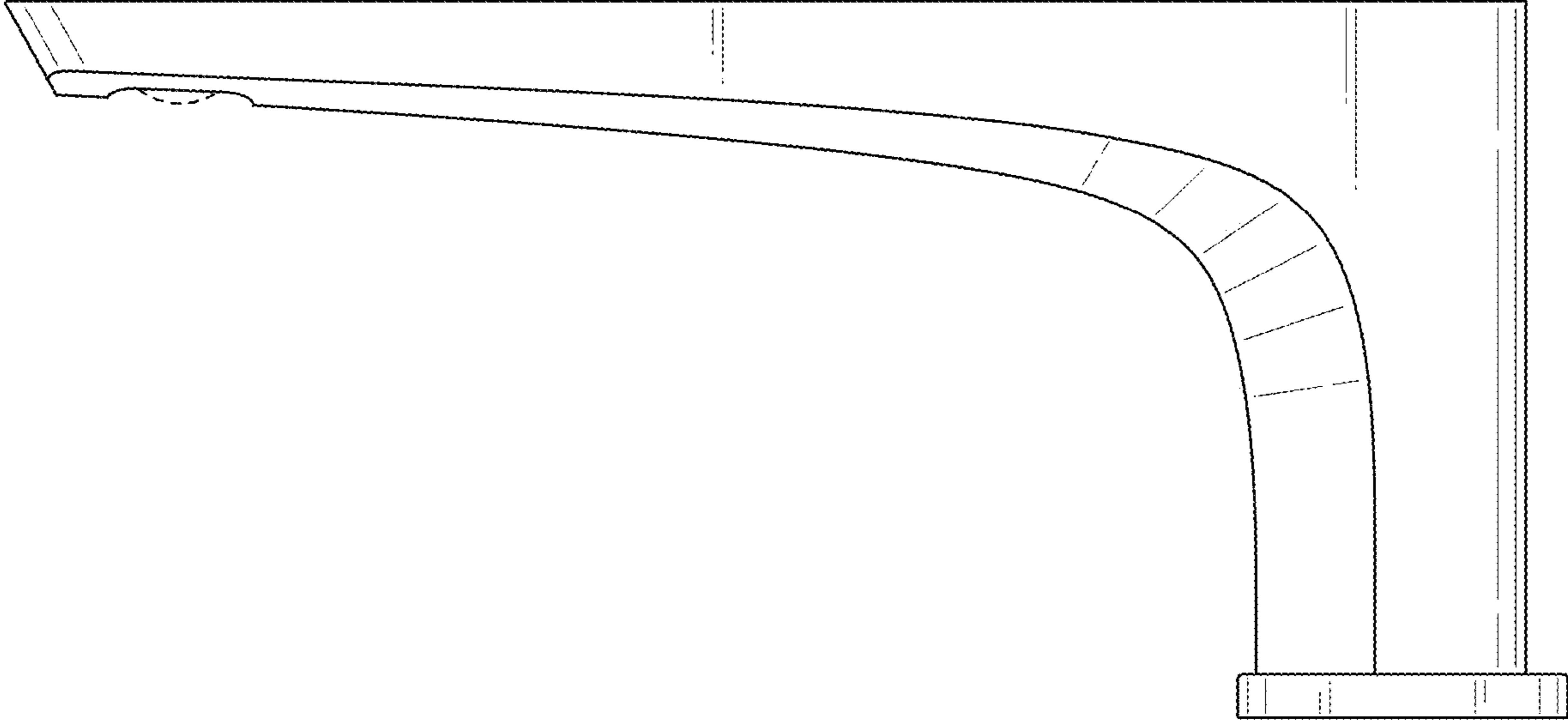
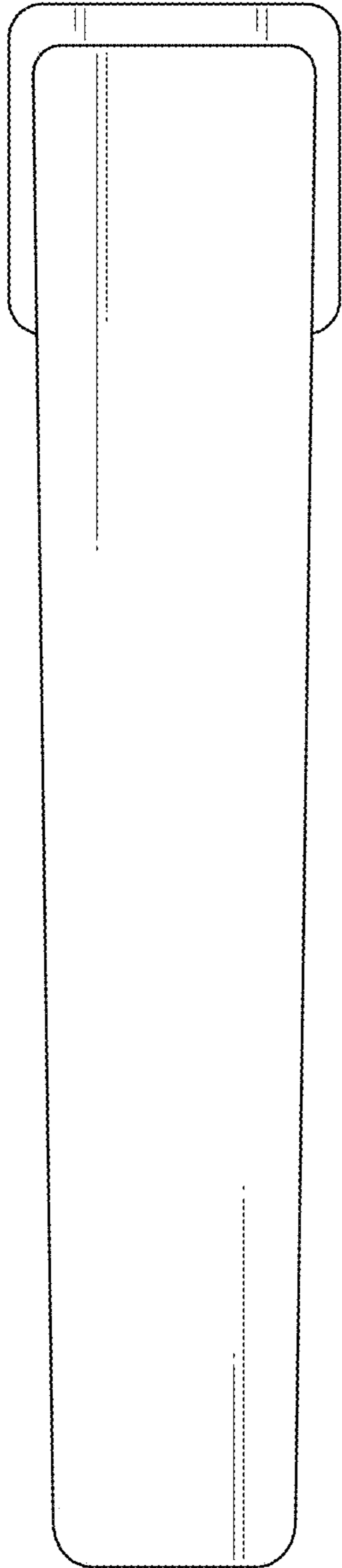
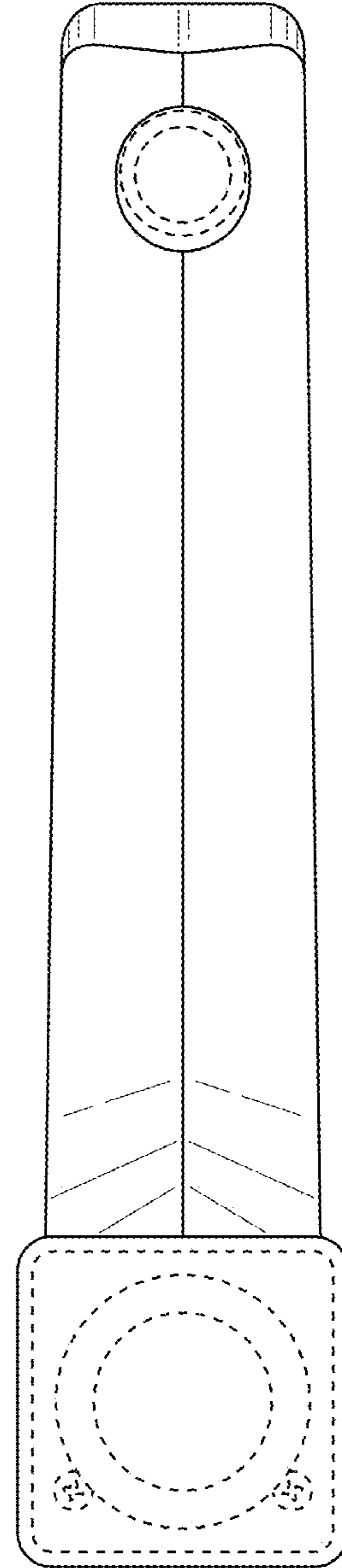


FIG. 5



**FIG. 6**



**FIG. 7**