



US00D896920S

(12) **United States Design Patent** (10) **Patent No.:** **US D896,920 S**
Maibach, Jr. (45) **Date of Patent:** **** Sep. 22, 2020**

(54) **HIGH EFFICIENCY DISTILLATION HEAD**

(71) Applicant: **Lab Society LLC**, Boulder, CO (US)

(72) Inventor: **Michael S. Maibach, Jr.**, Frederick, CO (US)

(73) Assignee: **LAB SOCIETY LLC**, Boulder, CO (US)

(**) Term: **15 Years**

(21) Appl. No.: **29/677,827**

(22) Filed: **Jan. 24, 2019**

Related U.S. Application Data

(63) Continuation-in-part of application No. 16/188,271, filed on Nov. 12, 2018, which is a continuation-in-part of application No. 16/103,321, filed on Aug. 14, 2018, now Pat. No. 10,406,451, which is a continuation-in-part of application No. 29/614,928, filed on Aug. 24, 2017, now Pat. No. Des. 828,904, which is a continuation-in-part of application No. 29/614,926, filed on Aug. 24, 2017, now Pat. No. Des. 826,640.

(51) **LOC (12) Cl.** **23-01**

(52) **U.S. Cl.**
USPC **D23/207**

(58) **Field of Classification Search**
USPC D23/200, 202, 207–210; D7/306–308
CPC B01D 5/006; B01D 35/30; C02F 1/002;
C02F 1/003
See application file for complete search history.

(56) **References Cited**

U.S. PATENT DOCUMENTS

D805,600 S * 12/2017 Krememnan D23/207
D828,904 S * 9/2018 Maibach, Jr. D23/207
D849,185 S * 5/2019 Kremerman D23/207

(Continued)

Primary Examiner — Sheryl Lane

Assistant Examiner — Calvin E Vansant

(74) *Attorney, Agent, or Firm* — Greenspoon Marder LLP; Justin F. McNaughton

(57) **CLAIM**

The ornamental design for a high efficiency distillation head, as shown and described.

DESCRIPTION

FIG. 1 is a right side elevational view of a high efficiency distillation head, according to the current disclosure.

FIG. 2 is a left side elevational view of a high efficiency distillation head, according to the current disclosure.

FIG. 3 is a front elevational view of a high efficiency distillation head, according to the current disclosure.

FIG. 4 is a rear elevational view of a high efficiency distillation head, according to the current disclosure.

FIG. 5 is a top plan view of a high efficiency distillation head, according to the current disclosure.

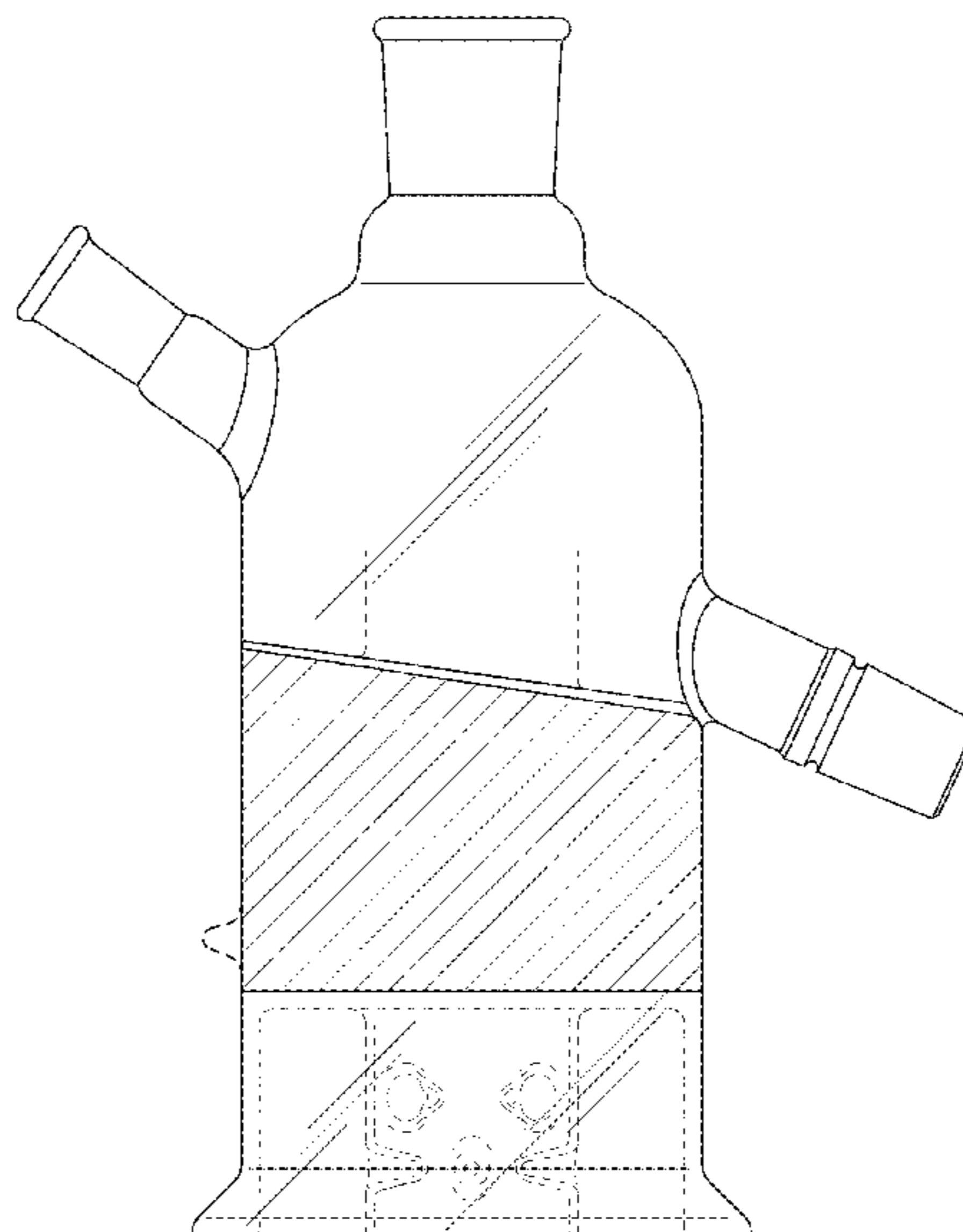
FIG. 6 is a bottom plan view of a high efficiency distillation head, according to the current disclosure; and,

FIG. 7 is a right side elevational view of a high efficiency distillation head sitting on a round-bottom flanged flask, and an open bottom design of the high efficiency distillation head attached to the round-bottom flanged flask, according to the current disclosure. The round-bottom flanged flask is not part of the claimed design.

The dashed broken lines shown in the figures represent portions of the distillation head that form no part of the claimed design. The internal elements of the distillation head, which can be seen through the exterior of the high efficiency distillation head in some embodiments, do not form part of the claimed design.

The dot-dash cross-hatching shown in the drawings represent an opaque surface of the high efficiency distillation head.

1 Claim, 6 Drawing Sheets



(56)

References Cited

U.S. PATENT DOCUMENTS

D849,186 S * 5/2019 Kremerman D23/207
D849,187 S * 5/2019 Kremerman D23/207
D850,576 S * 6/2019 Kremerman B01D 5/0063
D23/207
D862,640 S * 10/2019 Maibach, Jr. B01D 5/006
D23/207
D875,880 S * 2/2020 Kremerman B01D 5/006
D23/207
D875,881 S * 2/2020 Kremerman D23/207
2019/0009188 A1 * 1/2019 Kremerman B01D 3/143
2019/0060780 A1 * 2/2019 Maibach B01D 5/006
2019/0076752 A1 * 3/2019 Maibach B01D 5/006
2019/0321750 A1 * 10/2019 Kremerman B01D 5/0063

* cited by examiner

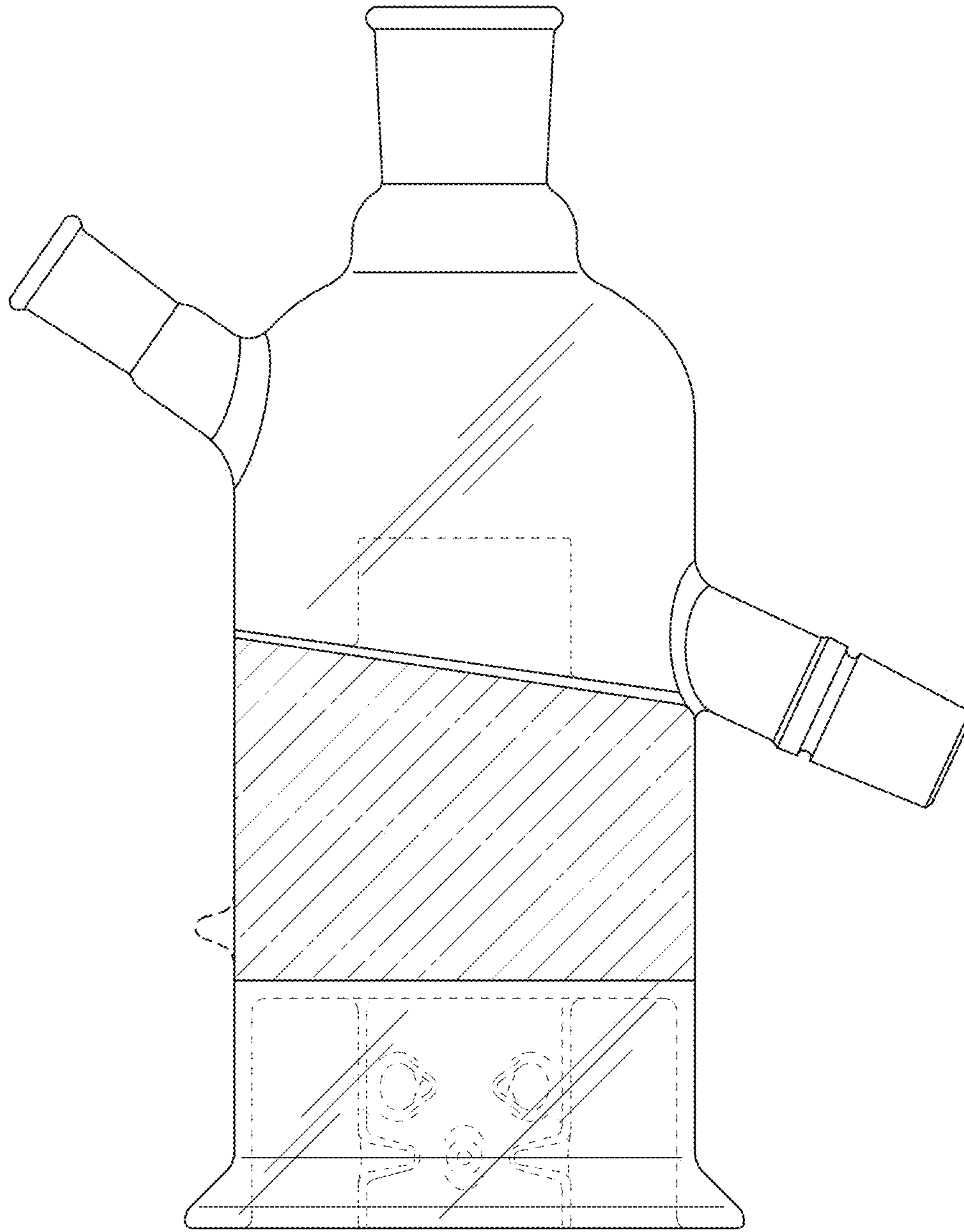


FIG. 1

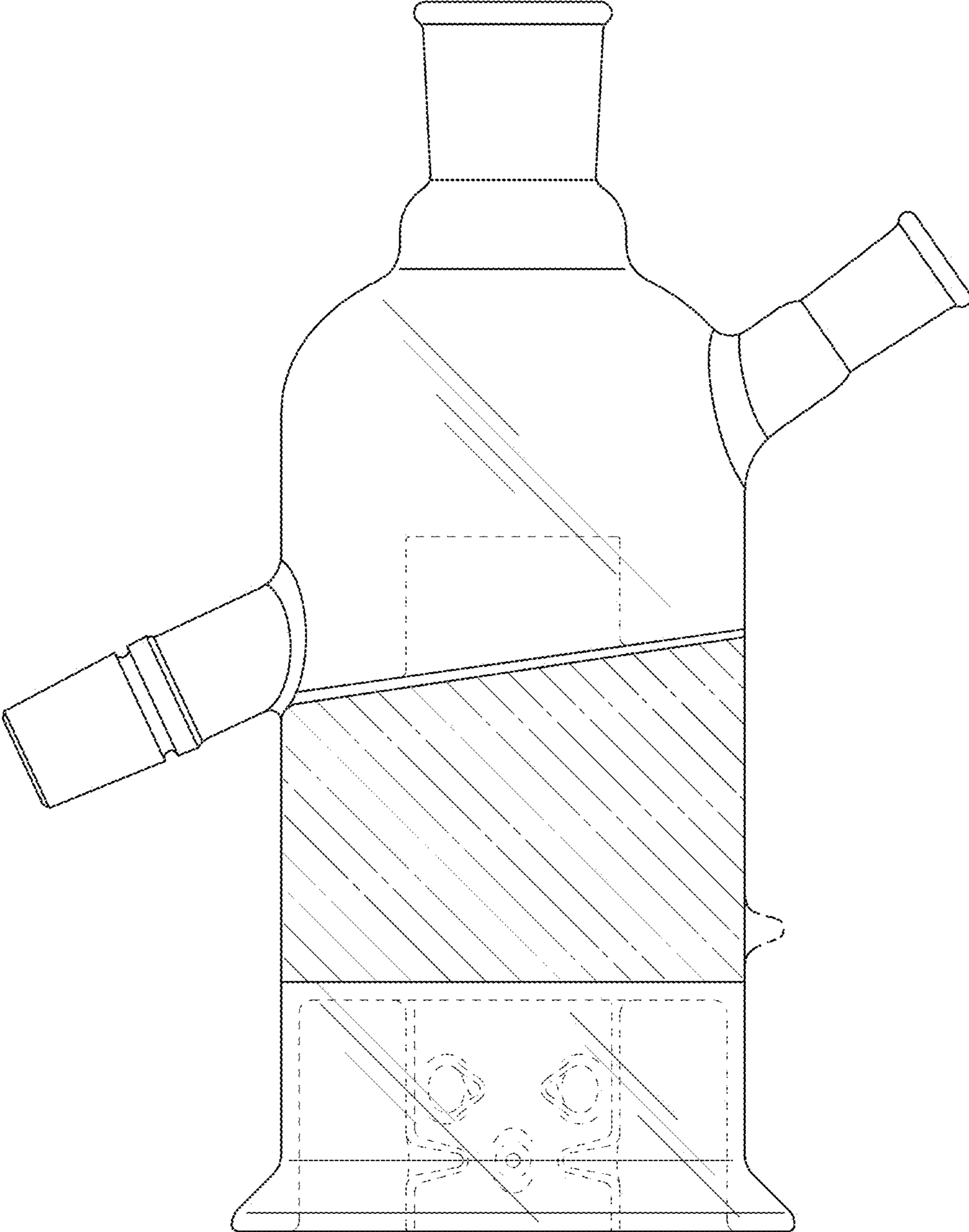


FIG. 2

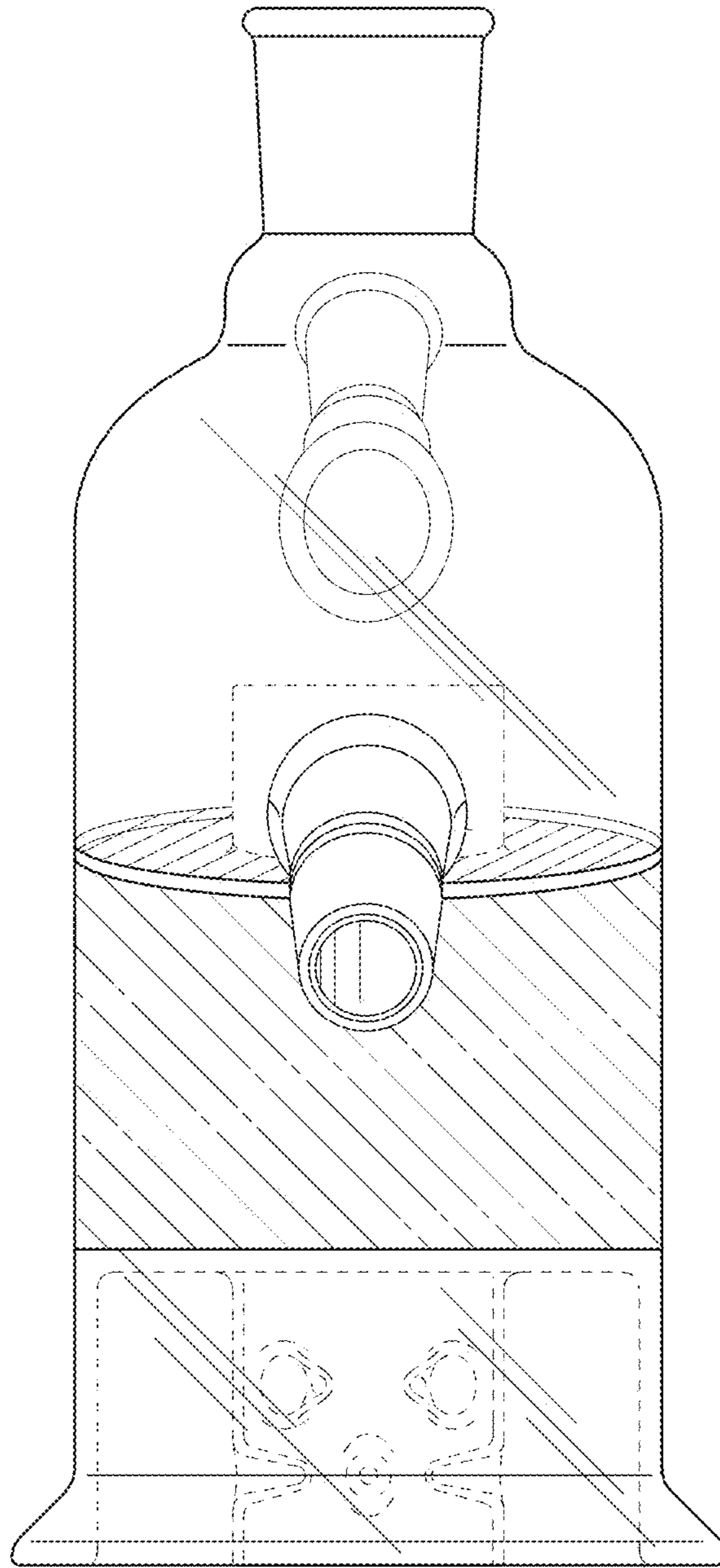


FIG. 3

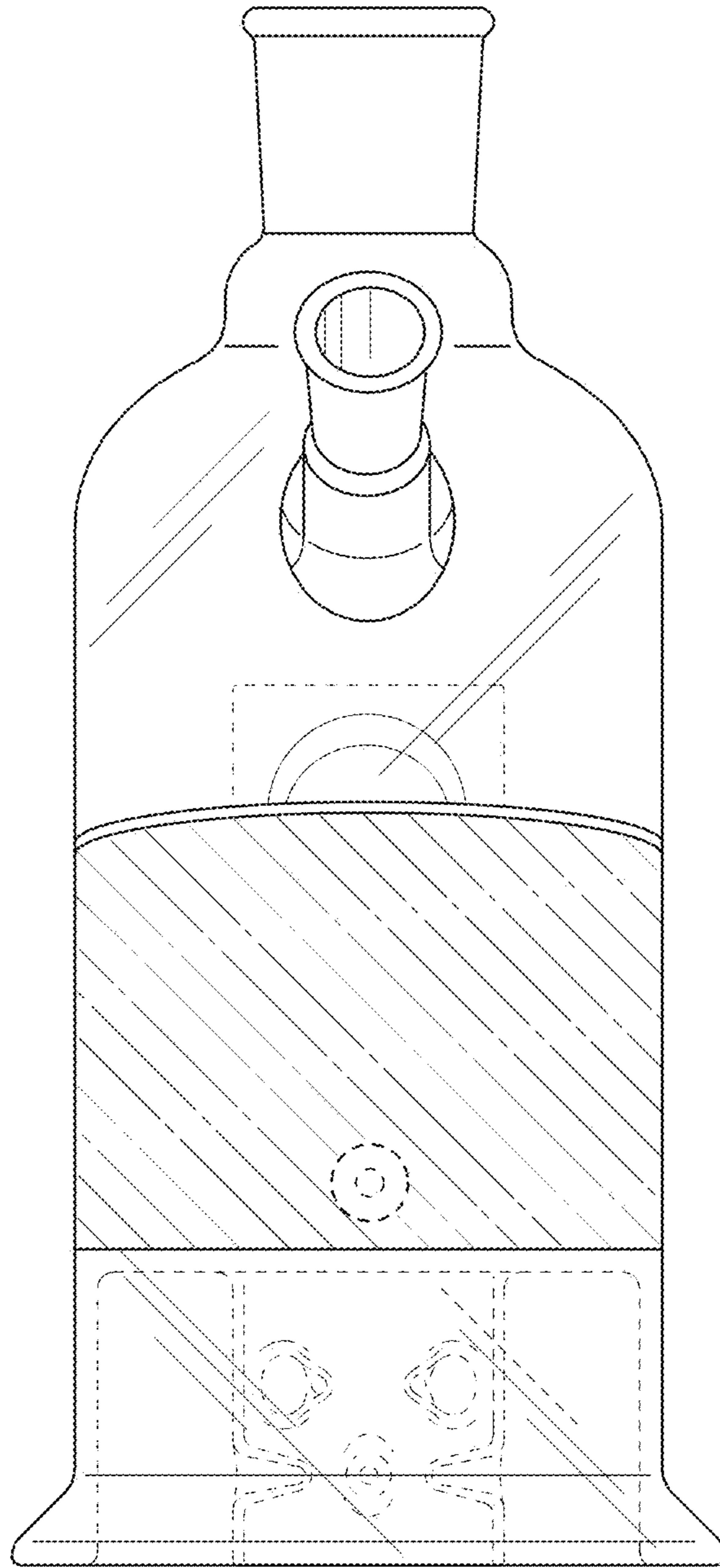


FIG. 4

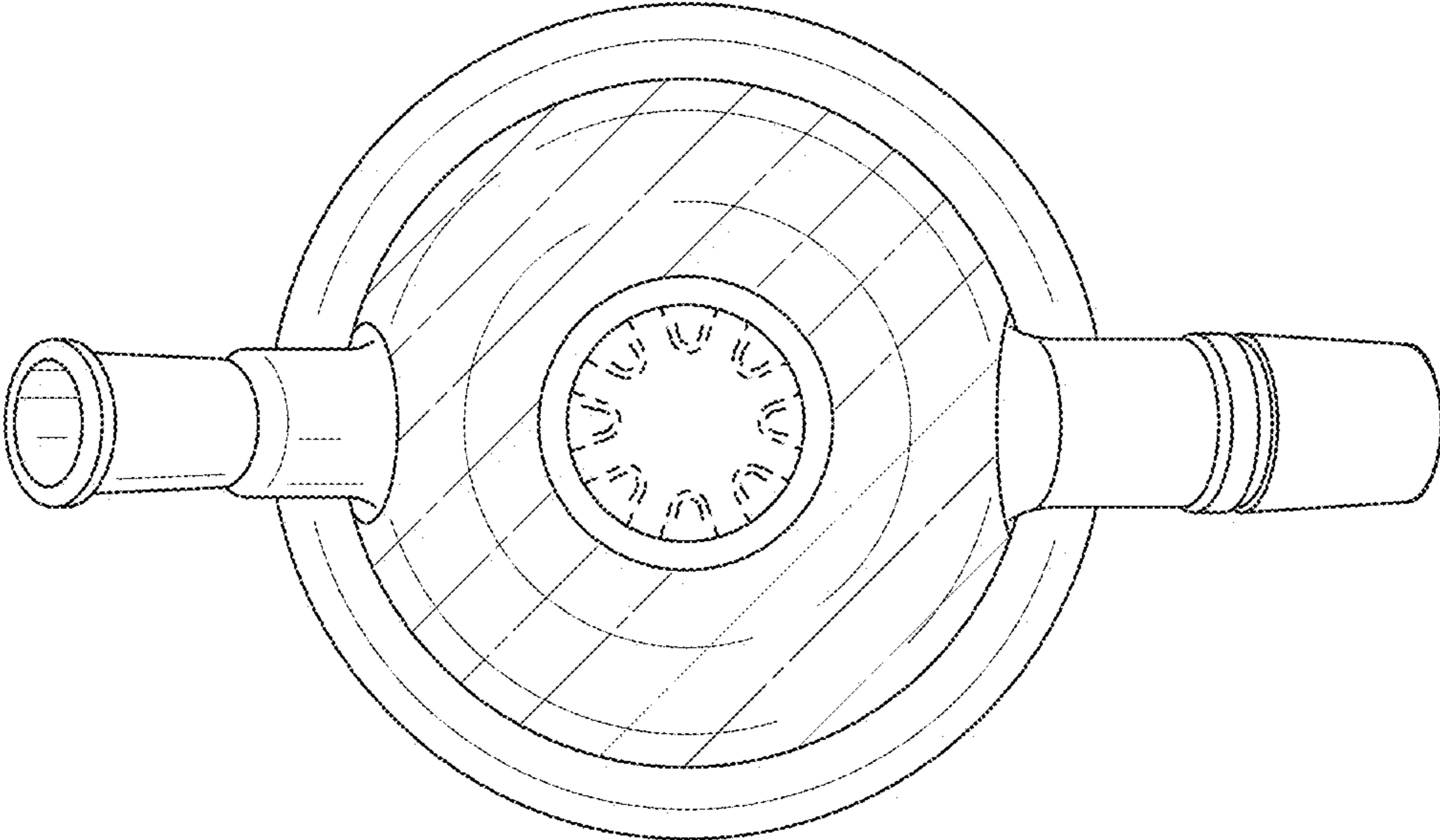


FIG. 5

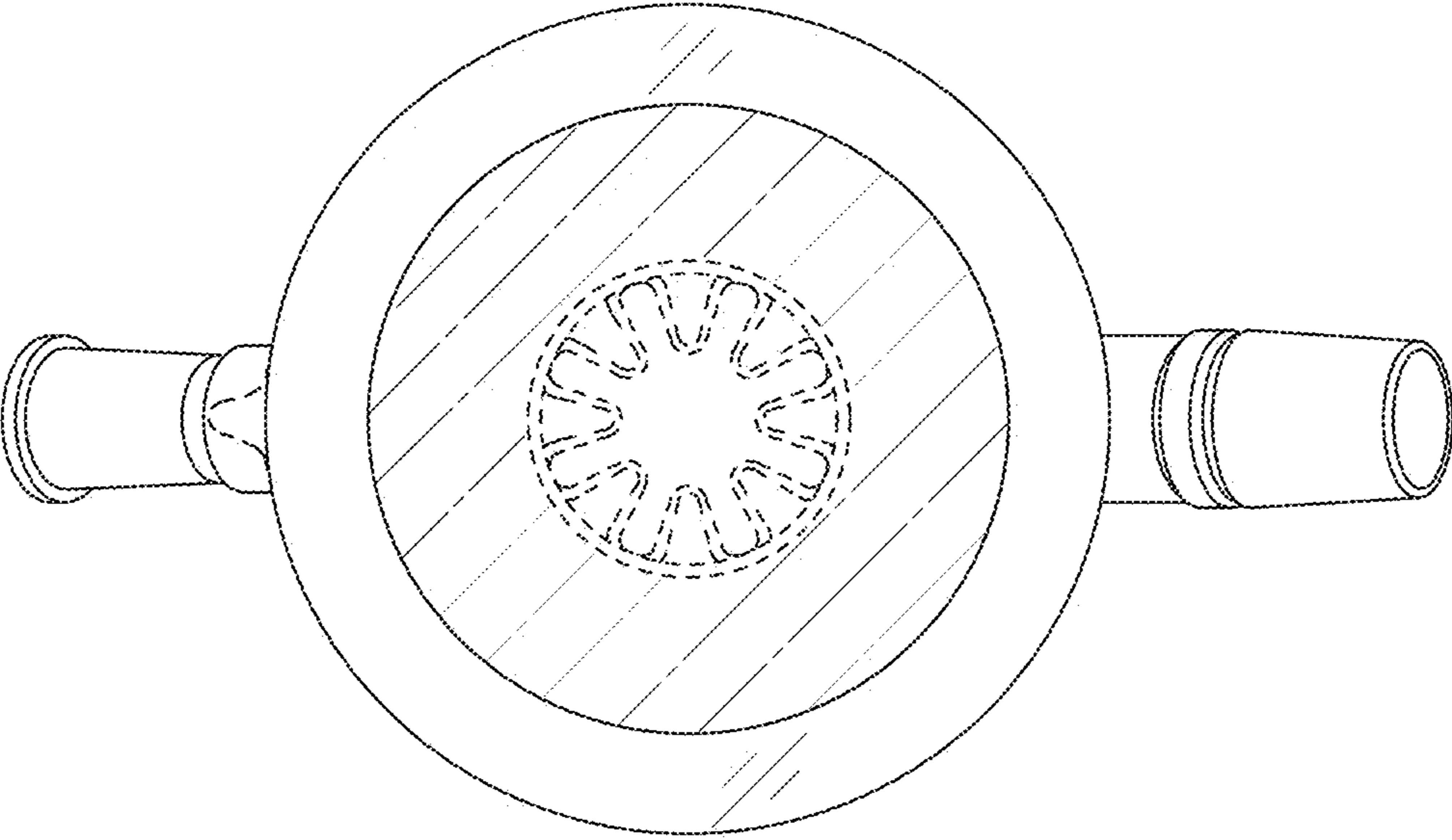


FIG. 6

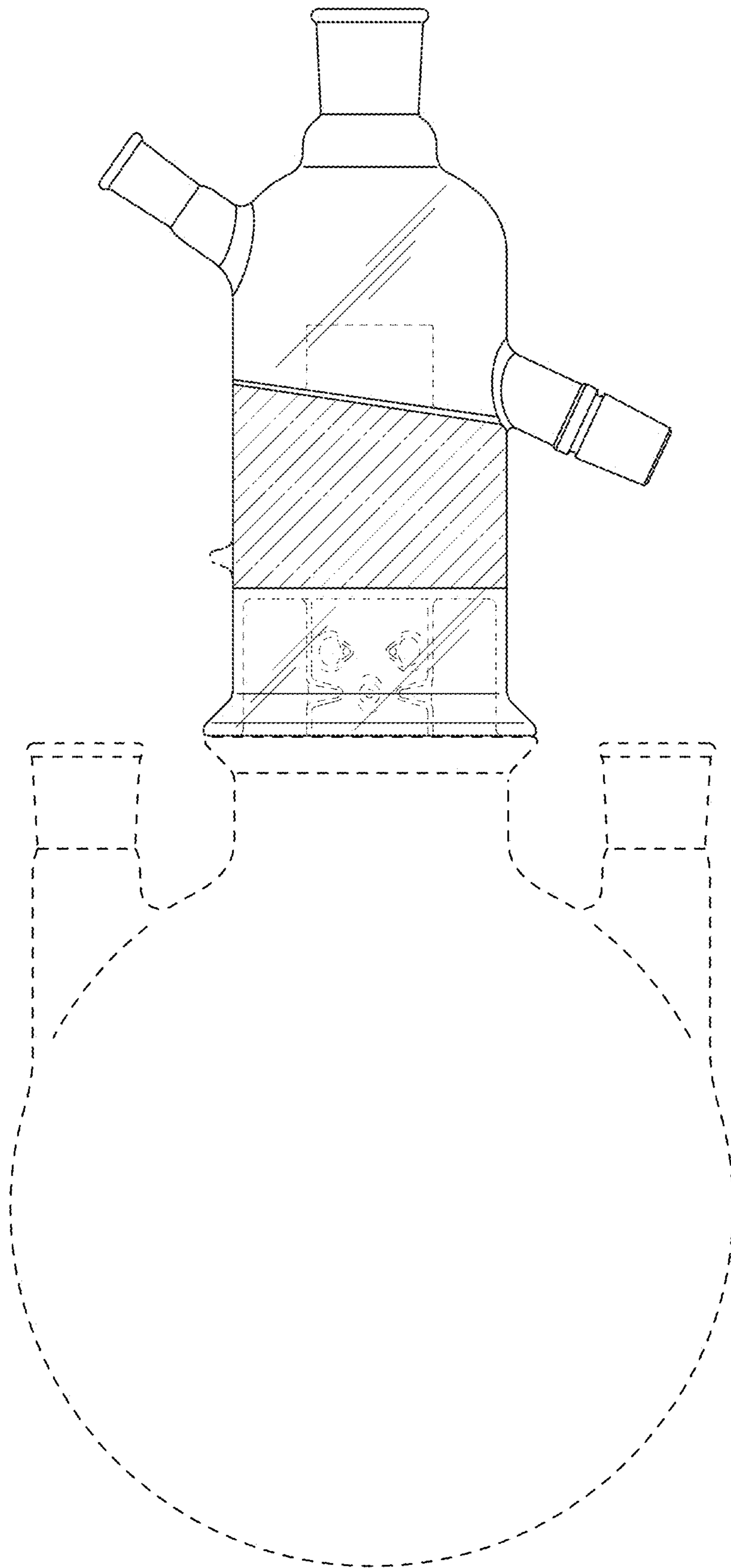


FIG. 7