



US00D896919S

(12) **United States Design Patent** (10) **Patent No.:** **US D896,919 S**
Maibach, Jr. (45) **Date of Patent:** **** Sep. 22, 2020**

(54) **DISTILLATION RECEIVER ADAPTER**

(71) Applicant: **Lab Society LLC**, Boulder, CO (US)

(72) Inventor: **Michael S. Maibach, Jr.**, Frederick, CO (US)

(73) Assignee: **LAB SOCIETY LLC**, Boulder, CO (US)

(**) Term: **15 Years**

(21) Appl. No.: **29/677,639**

(22) Filed: **Jan. 22, 2019**

(51) **LOC (12) Cl.** **23-01**

(52) **U.S. Cl.**
USPC **D23/207**

(58) **Field of Classification Search**
USPC D23/207, 213, 214, 215, 223, 224, 226, D23/229, 230

CPC A61H 9/0021; A61H 33/00; B05B 1/00; B05B 1/14; B05B 1/185; B05B 1/08; B05B 1/02; B05B 1/26; B05B 12/002; B05B 1/18; B05B 9/01

See application file for complete search history.

(56) **References Cited**

U.S. PATENT DOCUMENTS

D314,513 S *	2/1991	Hardin	D23/229
D445,872 S *	7/2001	Ketcham	D23/225
D468,801 S *	1/2003	Hubmann	D23/225
D509,560 S *	9/2005	Hubmann	D23/213
D529,575 S *	10/2006	Birrenkott	D23/223
D537,915 S *	3/2007	Hubmann	D23/213
D695,114 S *	12/2013	McDonald	D9/440
D701,764 S *	4/2014	Brower	D9/440
D747,200 S *	1/2016	Chiorazzi	D9/440
D774,163 S *	12/2016	Solakian	D23/213
D821,541 S *	6/2018	McDonnell	D23/213
D830,122 S *	10/2018	Seiders	D7/398
D852,928 S *	7/2019	Maibach, Jr.	D23/207
D859,584 S *	9/2019	Ramsuer	D23/213
D862,640 S *	10/2019	Maibach, Jr.	D23/207

OTHER PUBLICATIONS

<https://labsociety.com/lab-equipment/distillation-receiver-adapter/> (Year: 2020).*

* cited by examiner

Primary Examiner — Manpreet S Matharu

Assistant Examiner — Keith J Wilson

(74) *Attorney, Agent, or Firm* — Greenspoon Marder LLP; Justin F. McNaughton

(57) **CLAIM**

The ornamental design for a distillation receiver adapter, as shown and described.

DESCRIPTION

FIG. 1 is a front elevational view of a distillation receiver adapter of the current disclosure.

FIG. 2 is rear elevational view of a distillation receiver adapter of the current disclosure.

FIG. 3 is left side elevational view of a distillation receiver adapter of the current disclosure.

FIG. 4 is a right side elevational view of a distillation receiver adapter of the current disclosure.

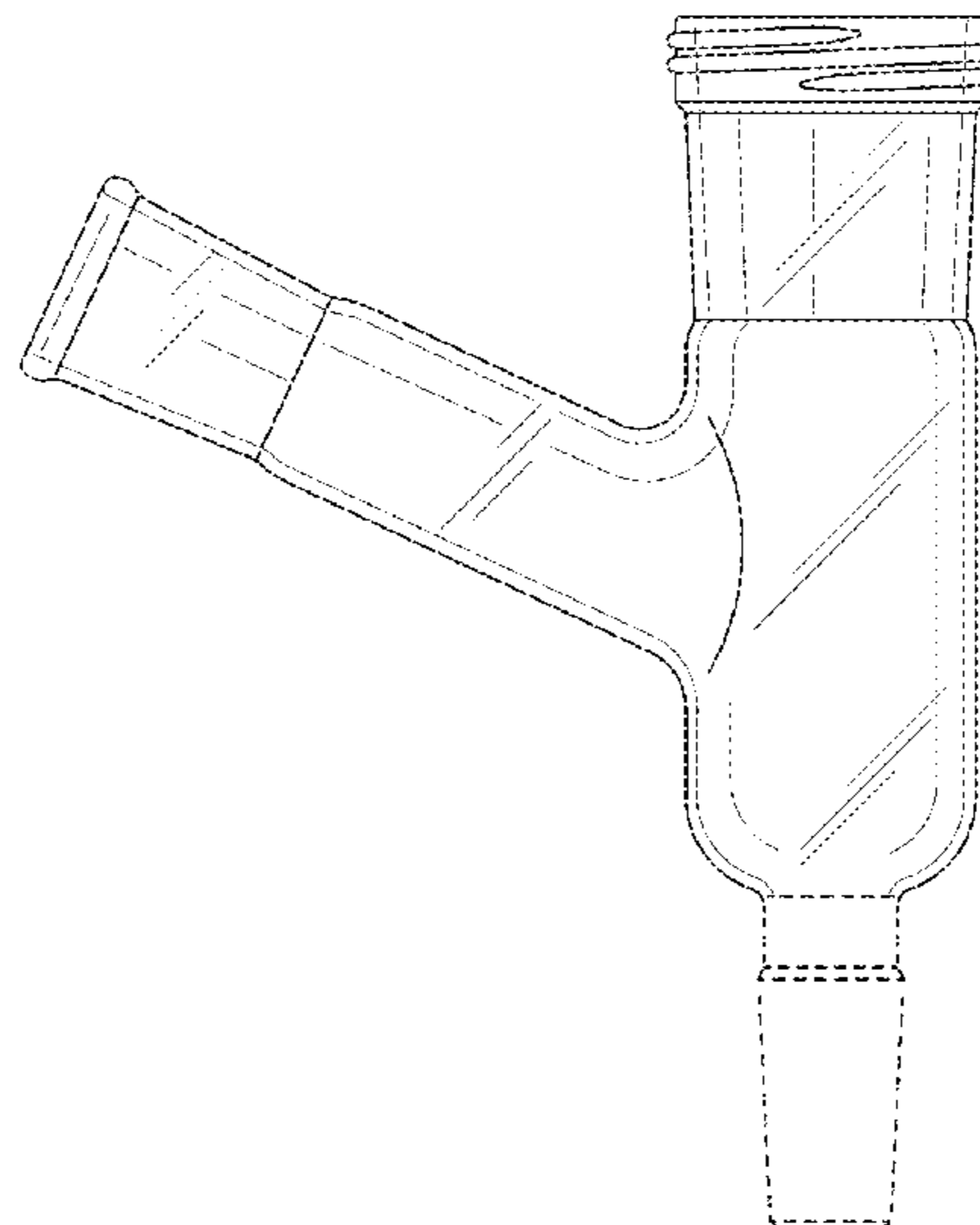
FIG. 5 is a top plan view of a distillation receiver adapter of the current disclosure.

FIG. 6 is a bottom plan view of a distillation receiver adapter of the current disclosure; and,

FIG. 7 is a front cutaway view of a distillation receiver adapter of the current disclosure. A rear cutaway view (not shown) of a distillation receiver adapter of the current disclosure, would appear exactly reversed to the front cutaway view.

The broken lines shown in the figures represent portions of the distillation receiver adapter that form no part of the claimed design.

1 Claim, 5 Drawing Sheets



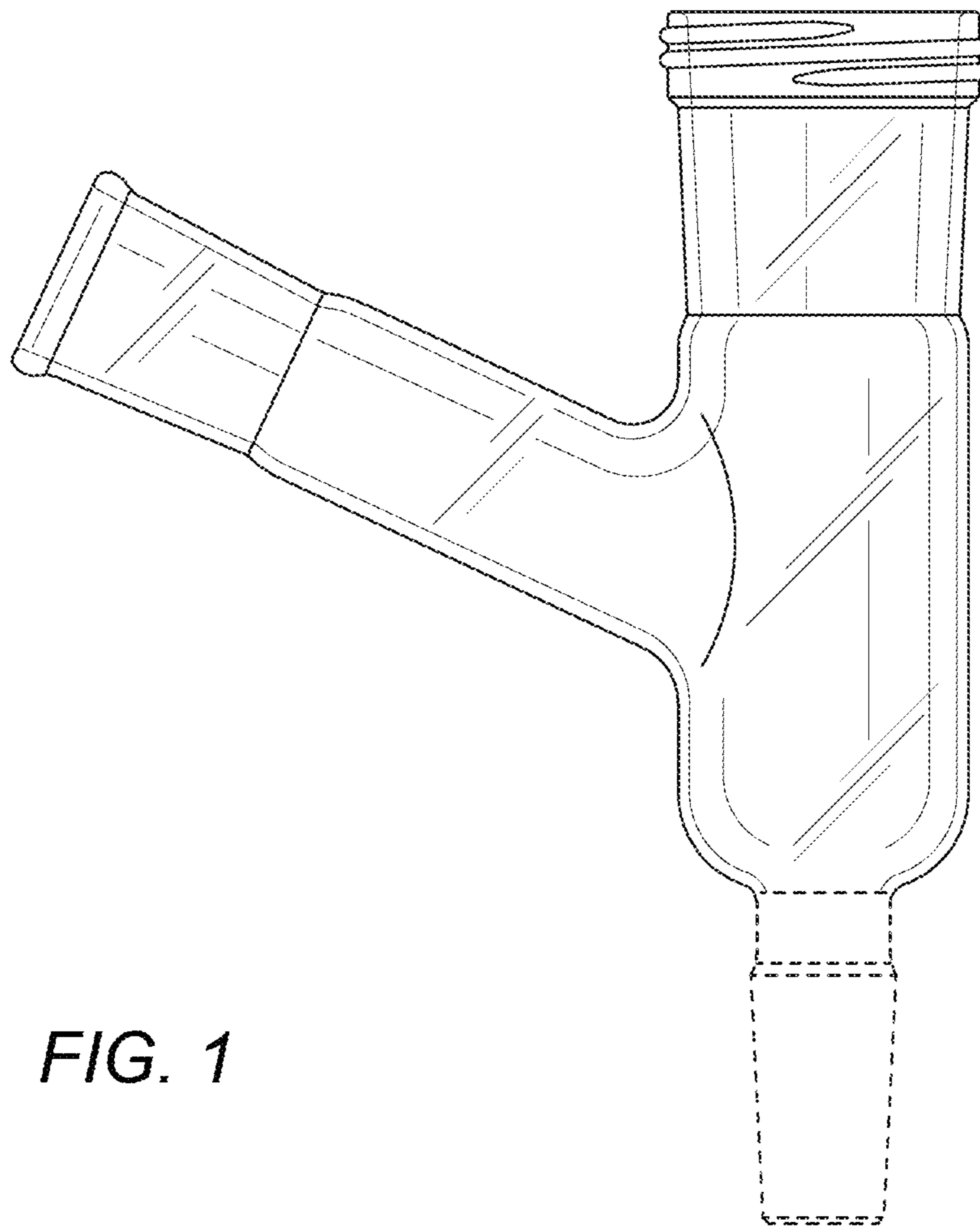


FIG. 1

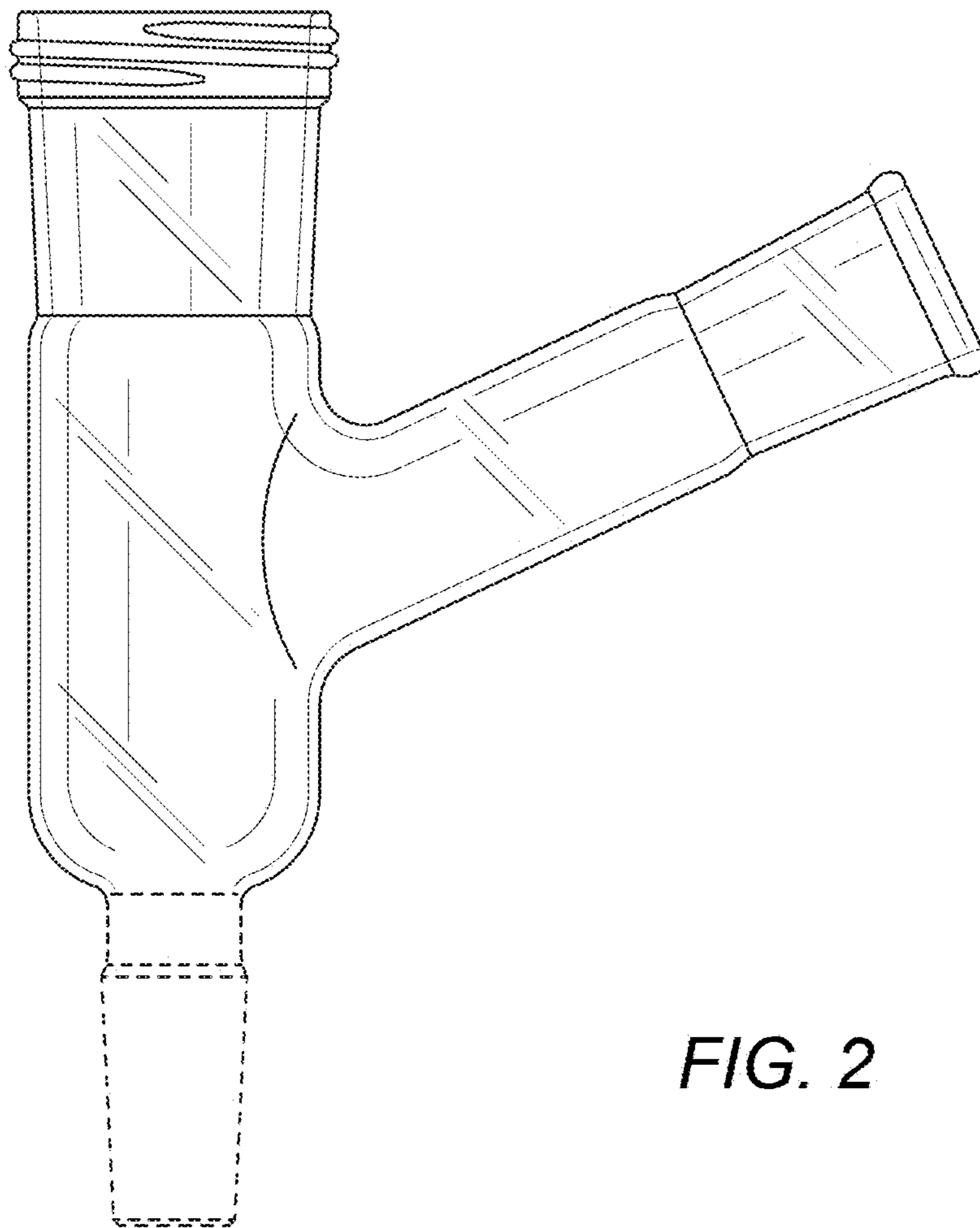


FIG. 2

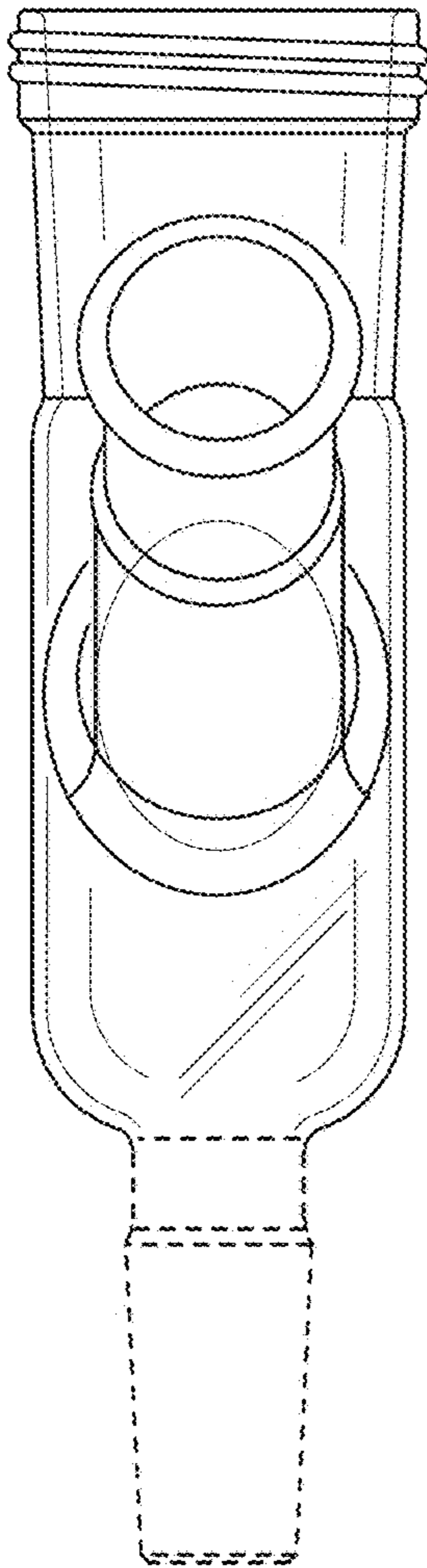


FIG. 3

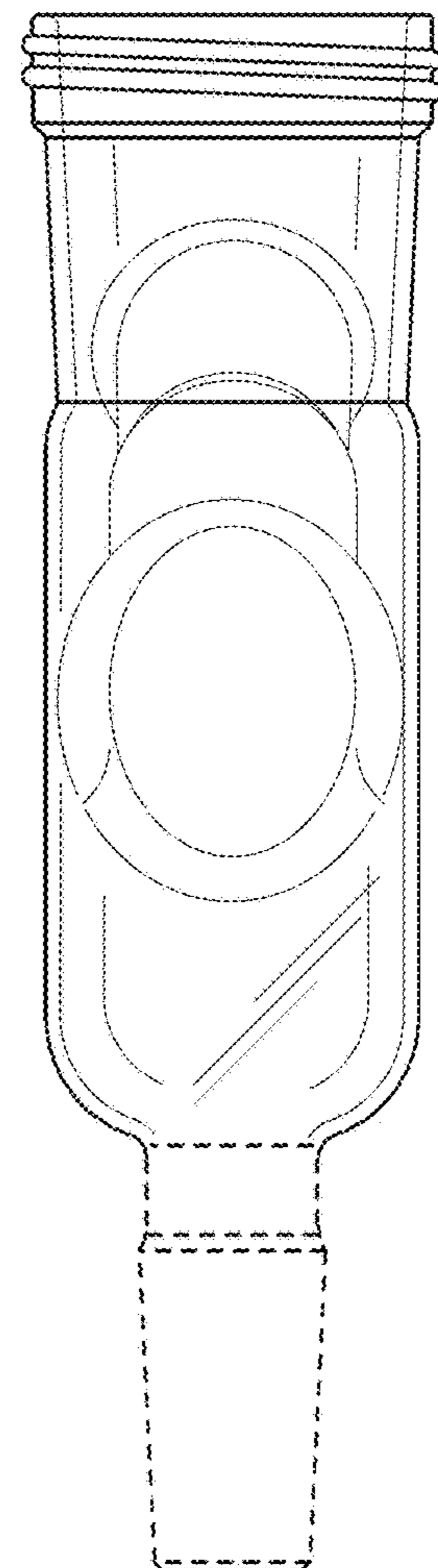


FIG. 4

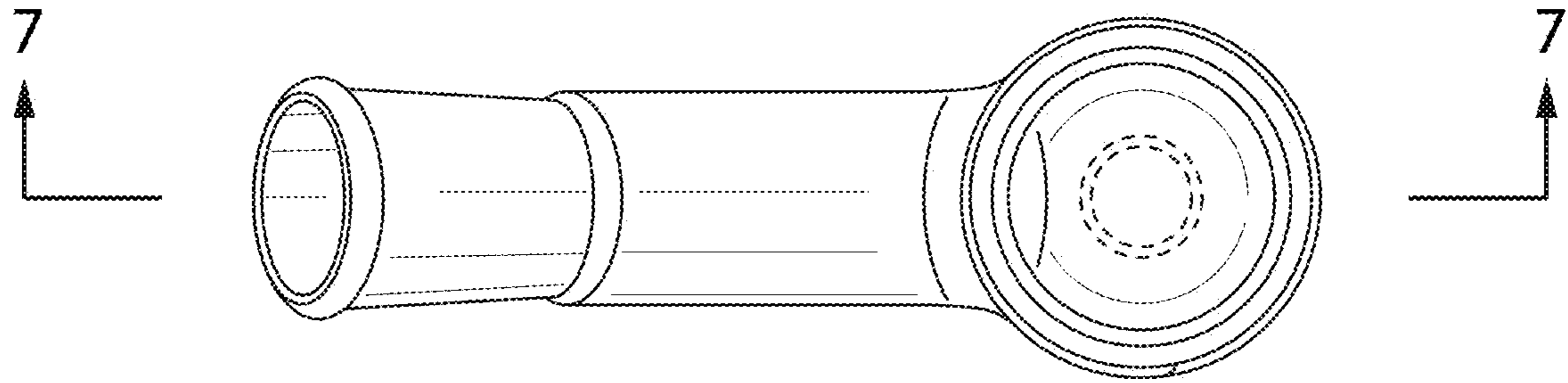


FIG. 5

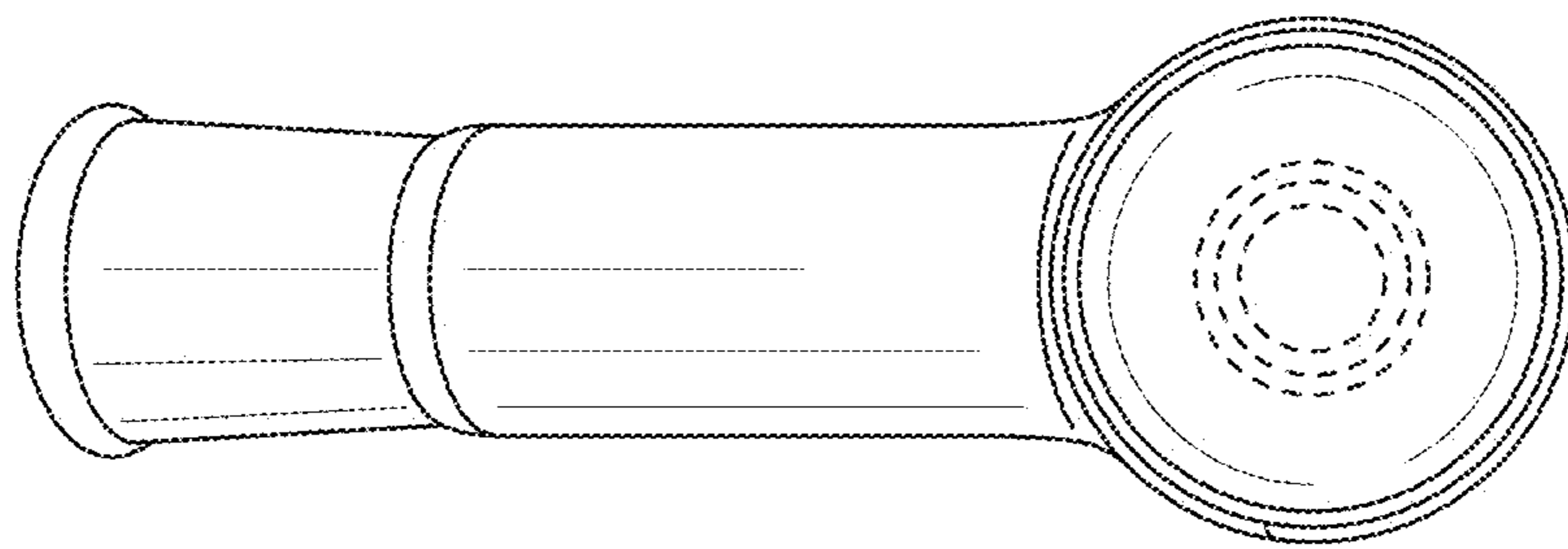


FIG. 6

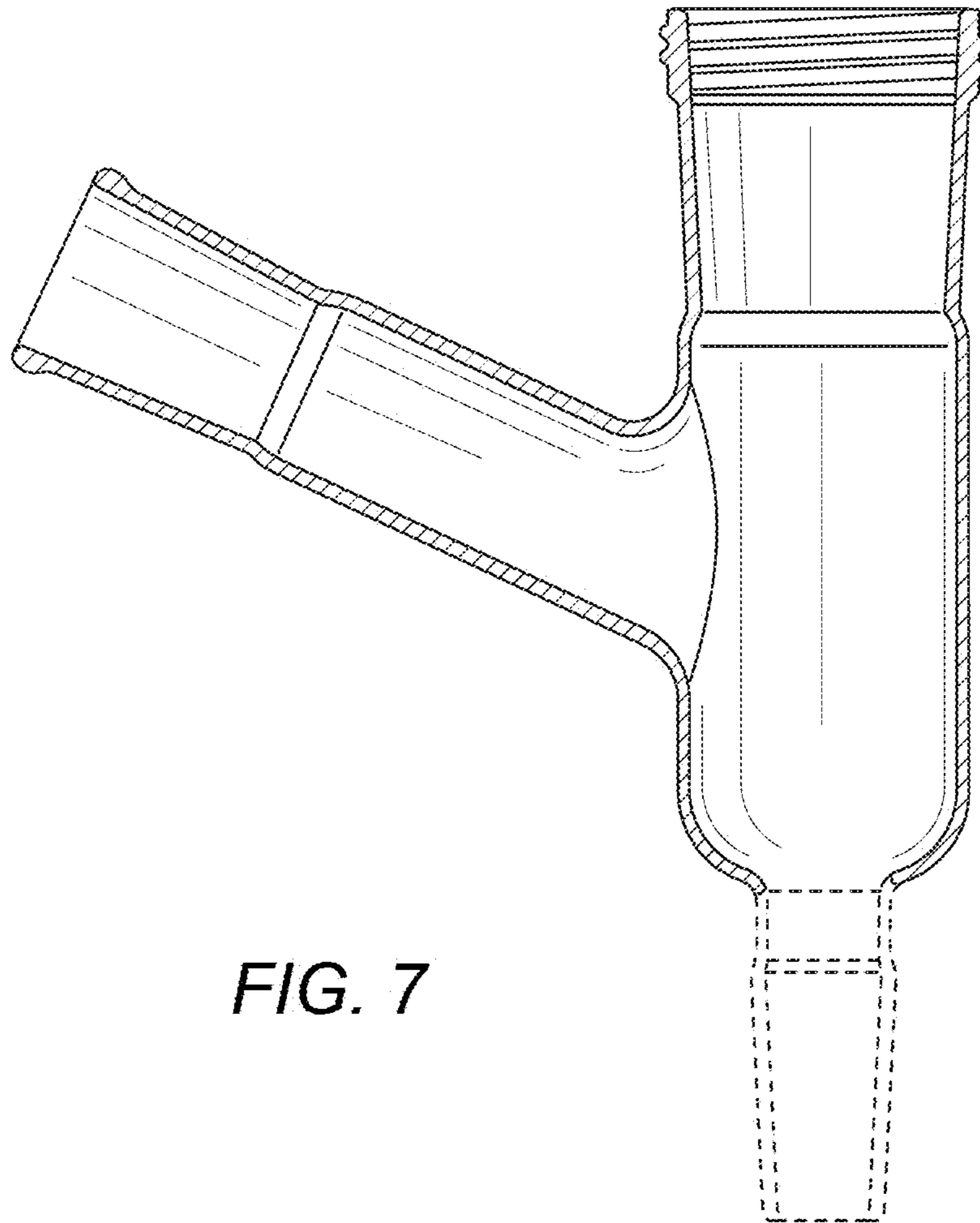


FIG. 7