

US00D896918S

(12) **United States Design Patent** (10) **Patent No.:** **US D896,918 S**
Moss (45) **Date of Patent:** **** Sep. 22, 2020**

(54) **FISHING TOOL**

D655,370 S * 3/2012 McCune D22/141
D789,483 S * 6/2017 Koelewyn D22/141

(71) Applicant: **Christopher Michael Moss**, Ellisville, MS (US)

* cited by examiner

(72) Inventor: **Christopher Michael Moss**, Ellisville, MS (US)

Primary Examiner — Catherine R Oliver-Garcia
(74) *Attorney, Agent, or Firm* — AdamsIP, LLC; J. Hunter Adams; Stephen Thompson

(**) Term: **15 Years**

(57) **CLAIM**

The ornamental design for a fishing tool, as shown and described.

(21) Appl. No.: **29/693,935**

DESCRIPTION

(22) Filed: **Jun. 6, 2019**

(51) **LOC (12) Cl.** **22-05**

(52) **U.S. Cl.**
USPC **D22/141**

(58) **Field of Classification Search**
USPC D22/137–141; 242/223–224, 231, 307; D8/300
CPC A01K 89/00; A01K 89/01; A01K 87/00; A01K 87/04; A01K 87/06; A01K 85/00; B29C 39/02; B29C 53/04
See application file for complete search history.

FIG. 1 is a top right perspective view of a fishing tool showing the claimed design;
FIG. 2 is a right side elevational view thereof;
FIG. 3 is a left side elevational view thereof;
FIG. 4 is a front elevational view thereof;
FIG. 5 is a rear elevational view thereof;
FIG. 6 is a top plan view thereof;
FIG. 7 is a bottom plan view thereof; and,
FIG. 8 is top left perspective view of a fishing tool showing the claimed design in an environment in which it may be used.

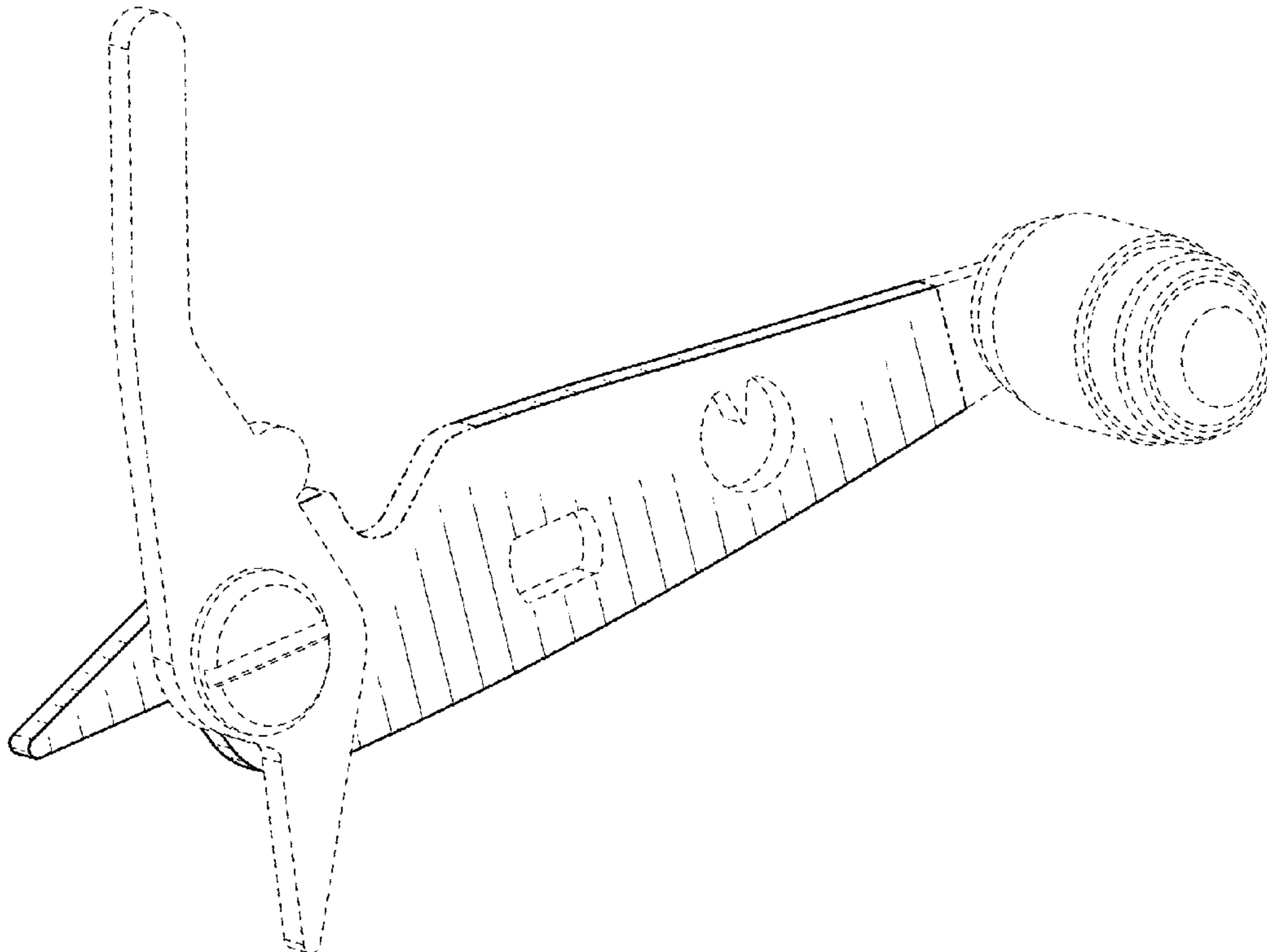
The dashed broken lines in the figures show portions of the fishing tool or environmental subject matter that form no part of the claimed design. The dot-dash broken lines in the figures show boundaries that form no part of the claimed design. The embodiment of FIGS. 1-7 differs from the embodiment of FIG. 8 only with respect to the orientation of portions of the fishing tool which form no part of the claimed design.

(56) **References Cited**

U.S. PATENT DOCUMENTS

D291,108 S * 7/1987 Robbins D22/141
D314,604 S * 2/1991 Jackson D22/141
D374,908 S * 10/1996 Koelewyn D22/141
D423,634 S * 4/2000 Tao D22/138
7,681,821 B2 * 3/2010 Wilson A01K 89/0122
242/223

1 Claim, 4 Drawing Sheets



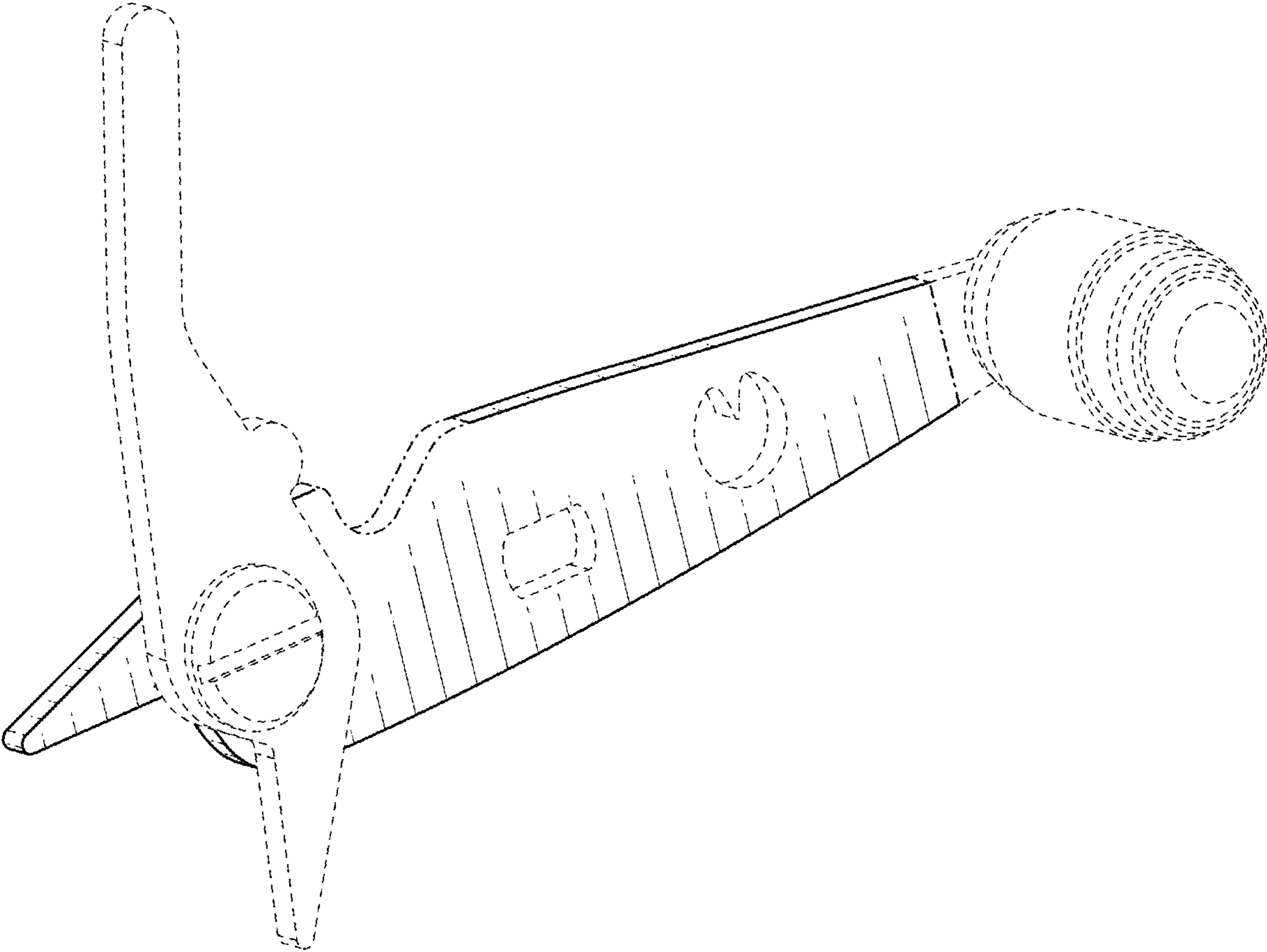


FIG. 1

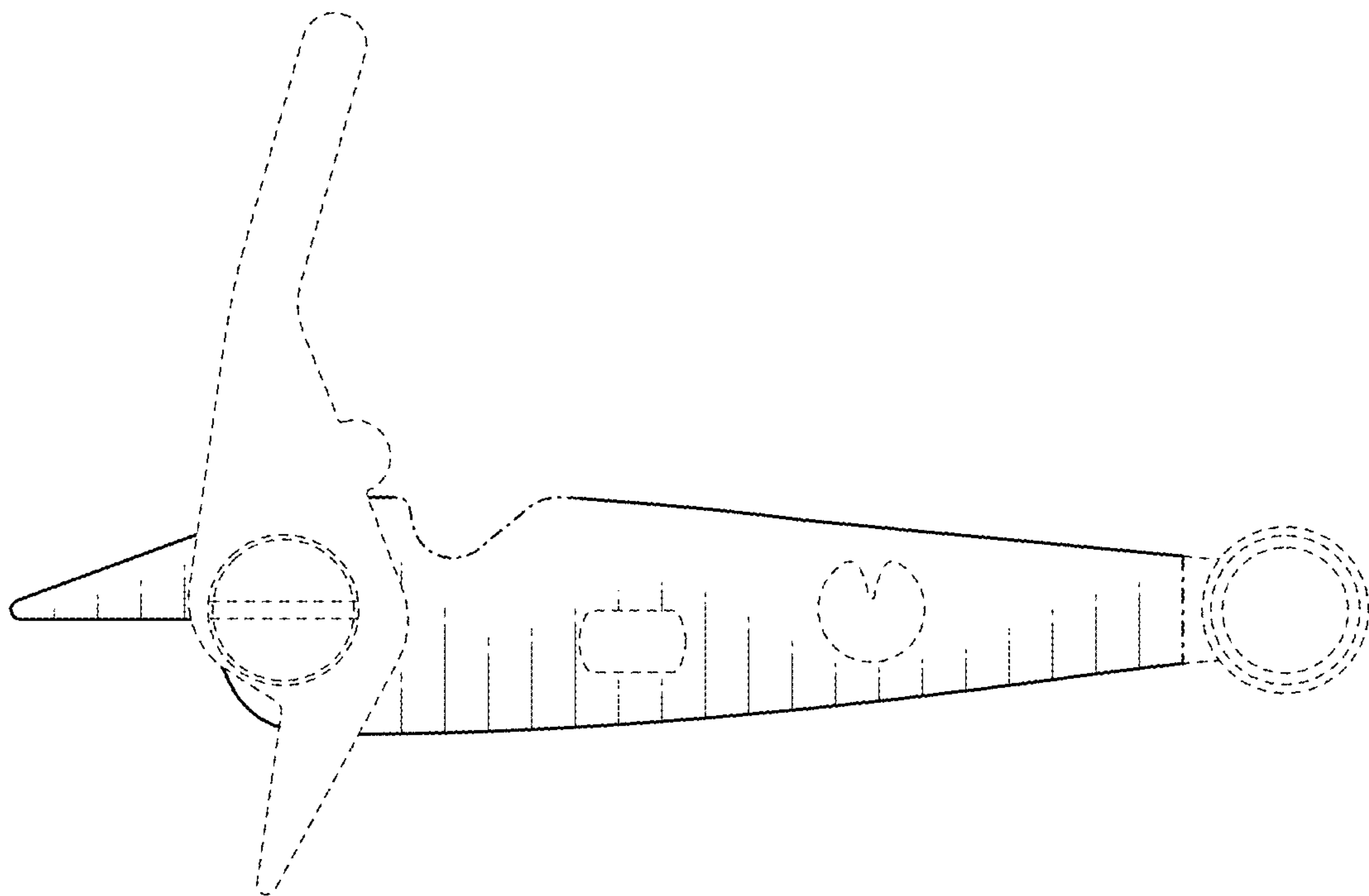


FIG. 2

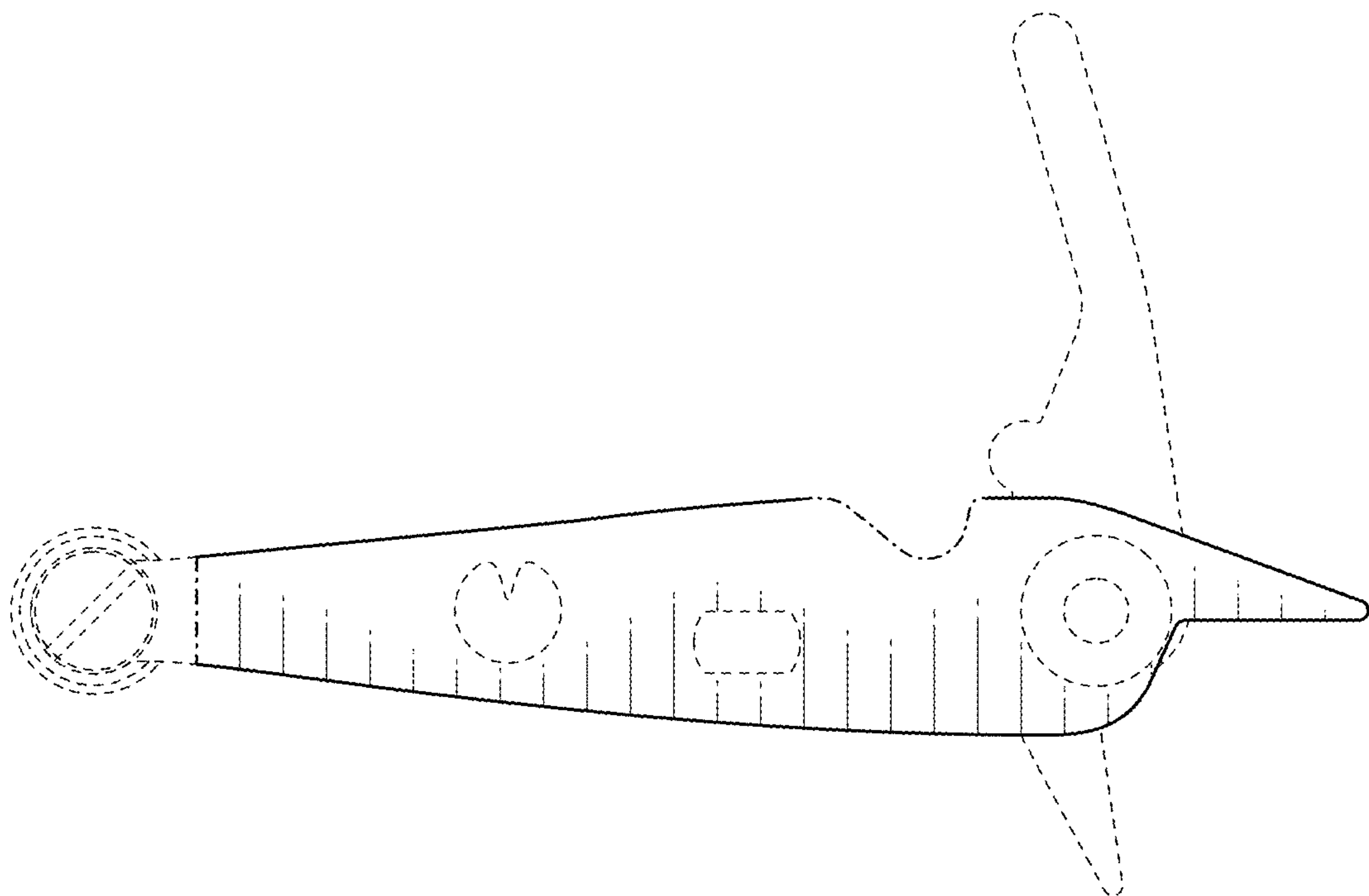


FIG. 3

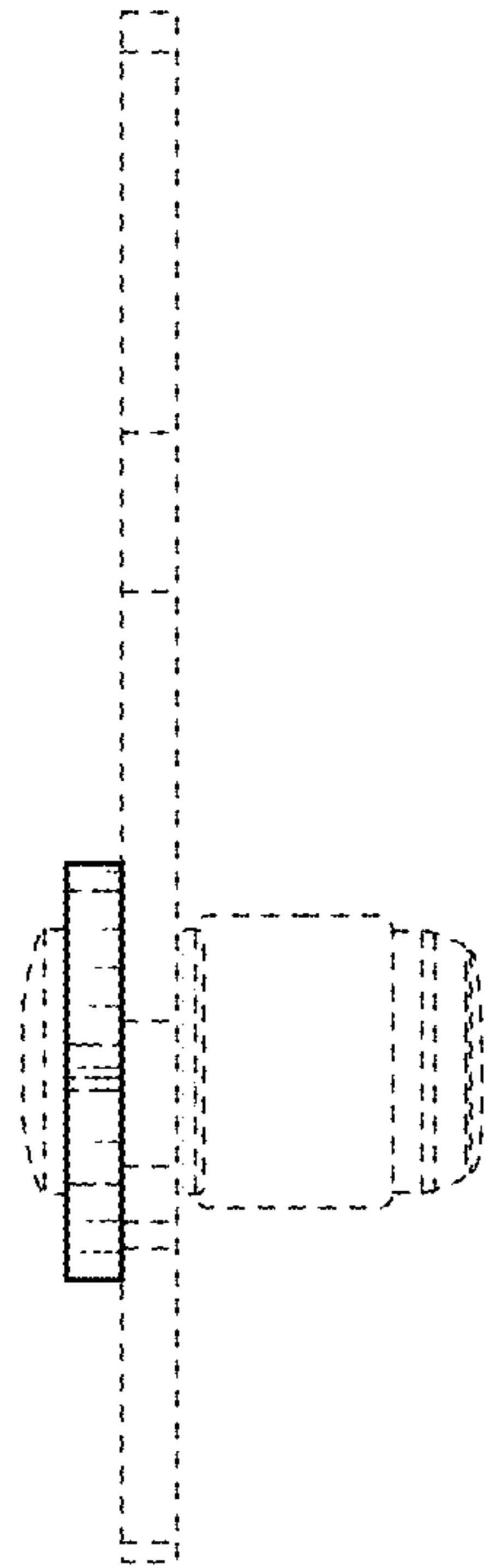


FIG. 4

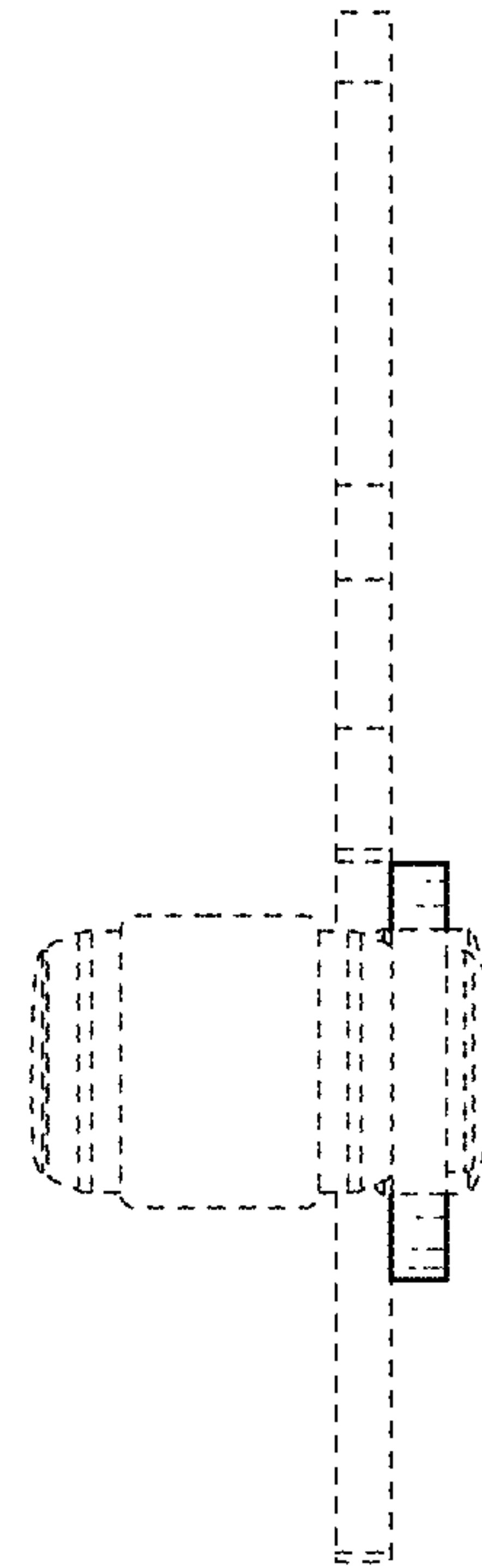


FIG. 5

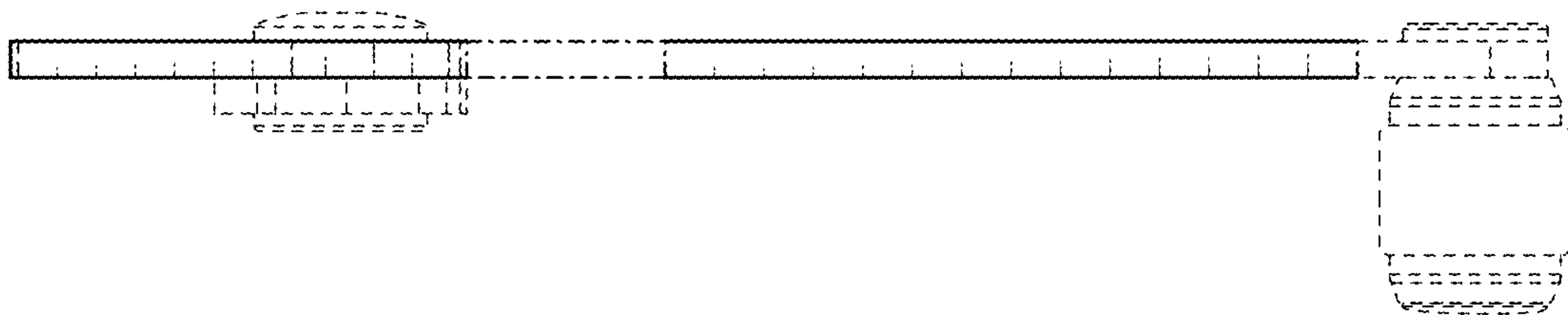


FIG. 6

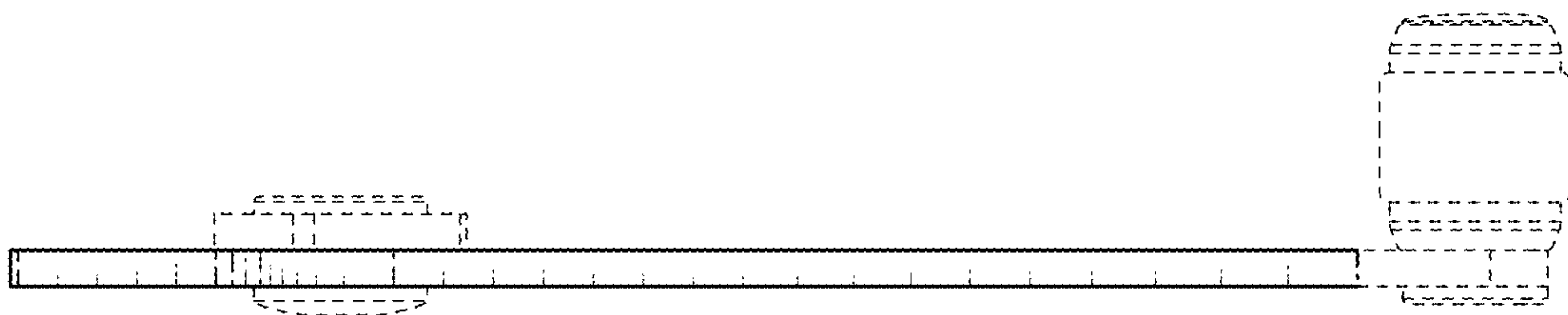


FIG. 7

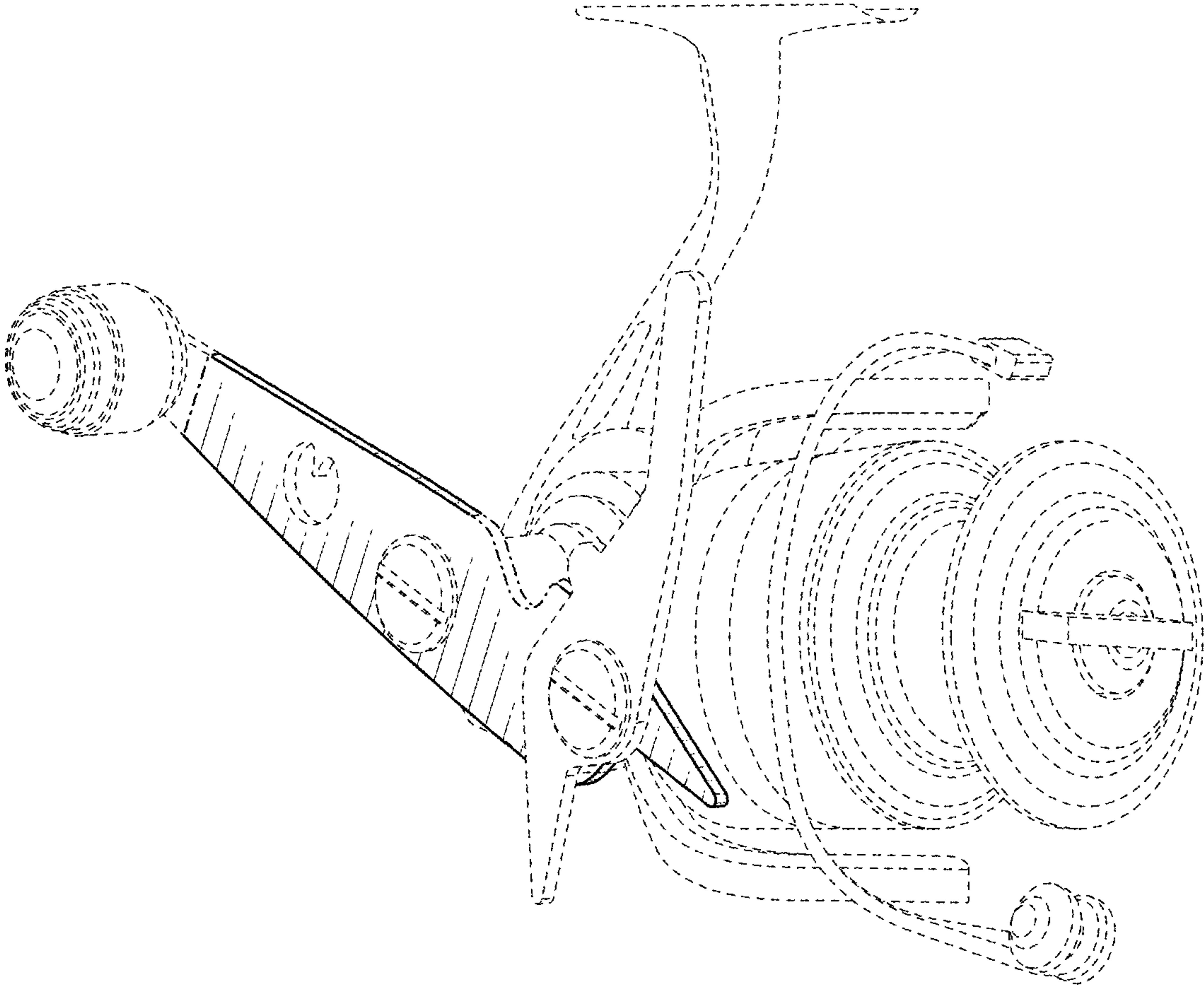


FIG. 8