



US00D896917S

(12) **United States Design Patent**
Clark, Jr.

(10) **Patent No.:** **US D896,917 S**

(45) **Date of Patent:** **** Sep. 22, 2020**

(54) **TARGET HOLDER**

(71) Applicant: **Floyd E. Clark, Jr.**, Camden, NC (US)

(72) Inventor: **Floyd E. Clark, Jr.**, Camden, NC (US)

(**) Term: **15 Years**

(21) Appl. No.: **29/673,905**

(22) Filed: **Dec. 18, 2018**

(51) **LOC (12) Cl.** **22-04**

(52) **U.S. Cl.**
USPC **D22/113**

(58) **Field of Classification Search**
USPC D22/113; D20/10, 19, 42-43; D8/394
CPC F41J 1/10; F41J 5/14; F41J 1/00; F41J
3/0004; G09F 15/0018; G09F 2007/1847;
G09F 2007/1826
See application file for complete search history.

(56) **References Cited**

U.S. PATENT DOCUMENTS

- 1,468,718 A * 9/1923 Kneeland A47J 43/283
294/99.2
- 5,033,703 A * 7/1991 Allen, Sr. B65B 67/1233
248/175
- D606,860 S * 12/2009 Hill D9/434
- D834,933 S * 12/2018 Pi D8/395
- D885,875 S * 6/2020 Ryszawy D8/394
- 2003/0226307 A1* 12/2003 Hulley A01M 31/06
43/2
- 2017/0116894 A1* 4/2017 Shea G09F 7/22

- 2017/0287368 A1* 10/2017 Harter G09F 7/10
- 2019/0012939 A1* 1/2019 Bao G09F 7/18
- 2019/0327956 A1* 10/2019 Bartel G09F 7/22

* cited by examiner

Primary Examiner — Michael A. Pratt

(74) *Attorney, Agent, or Firm* — Ward and Smith, P.A.;
Ryan K. Simmons

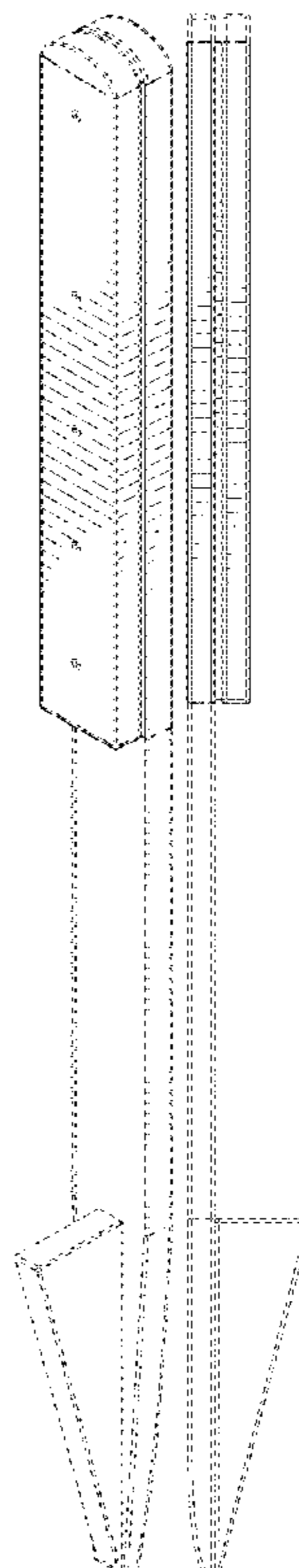
(57) **CLAIM**

The ornamental design for a target holder, as shown and described.

DESCRIPTION

FIG. 1 is another perspective view of the target holder showing another alternate configuration;
 FIG. 2 is a top plane view thereof;
 FIG. 3 is bottom plane view thereof;
 FIG. 4 is a left side elevation view thereof, the right side being a mirror image;
 FIG. 5 is a front elevation view thereof;
 FIG. 6 is a rear elevation view thereof; and,
 FIG. 7 is another perspective view of the target holder of FIG. 1 shown with example targets installed thereon for environmental purposes.
 In the Figures the dash-dash broken lines are for the purpose of illustrating environment and form no part of the claimed design.

1 Claim, 5 Drawing Sheets



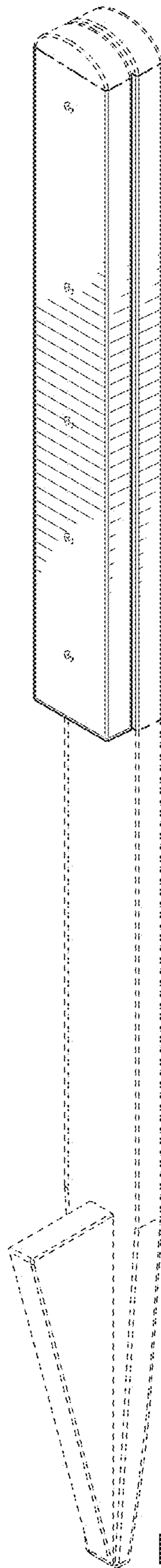


FIG. 1



FIG. 2

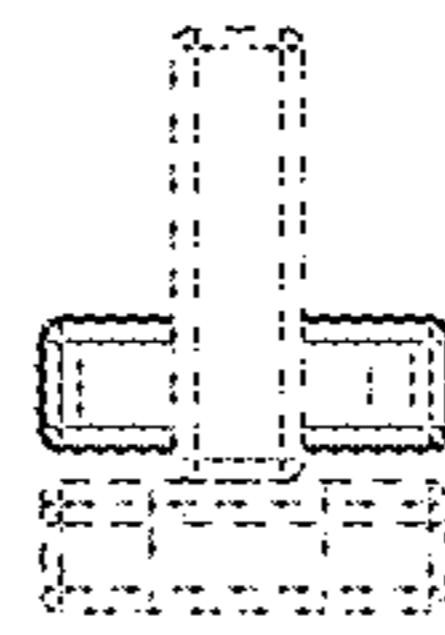


FIG. 3

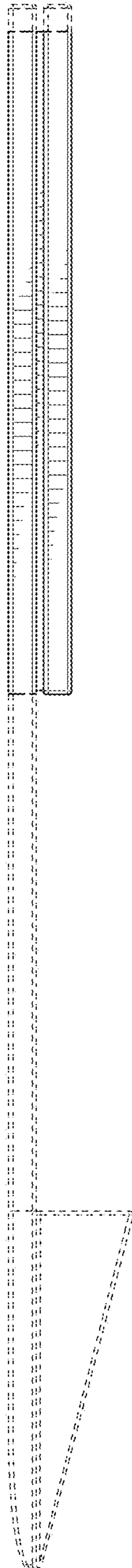


FIG. 4

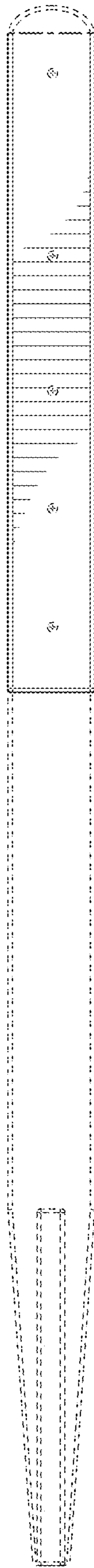


FIG. 5

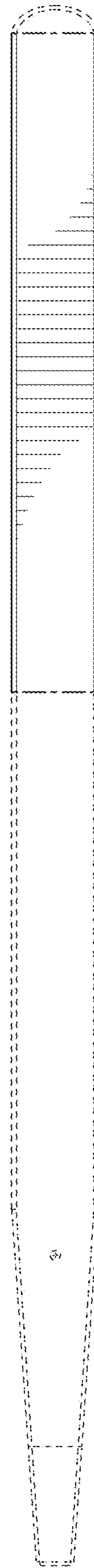


FIG. 6

