



US00D896916S

(12) **United States Design Patent**
Temple et al.

(10) **Patent No.:** **US D896,916 S**

(45) **Date of Patent:** **** Sep. 22, 2020**

(54) **PORTABLE TARGET**

(71) Applicant: **JL CREATIVE GROUP, LLC**,
Marietta, GA (US)

(72) Inventors: **William E. Temple**, Marietta, GA (US);
John B. Lovell, III, Woodstock, GA
(US); **Joseph L. Allison**, Yuma, AZ
(US)

(73) Assignee: **JL CREATIVE GROUP, LLC**,
Marietta, GA (US)

(**) Term: **15 Years**

(21) Appl. No.: **29/673,400**

(22) Filed: **Dec. 14, 2018**

(51) **LOC (12) Cl.** **22-04**

(52) **U.S. Cl.**
USPC **D22/113**

(58) **Field of Classification Search**

USPC D22/100, 103, 108, 109, 110, 111, 113,
D22/115, 116, 199; D21/567, 573
CPC F41A 23/08; F41A 23/10; F41A 21/16;
F41A 21/22; F41C 23/00; F41C 7/00;
F41J 1/10; F41G 1/30

See application file for complete search history.

(56) **References Cited**

U.S. PATENT DOCUMENTS

2,880,534 A * 4/1959 Lund G09F 1/02
40/124.19
3,515,388 A * 6/1970 Zachmeier F41J 7/06
273/406
4,520,584 A * 6/1985 Howard G09F 15/0056
40/610
D329,665 S * 9/1992 Carroll D21/306
D343,585 S * 1/1994 Strong D10/109.1
5,277,432 A * 1/1994 Bateman F41J 1/10
273/407

D453,038 S * 1/2002 Scott D22/113
7,128,321 B1 * 10/2006 Brown F41J 5/18
273/392
7,325,808 B1 * 2/2008 Adler F41J 1/08
273/406
8,117,780 B2 * 2/2012 Matthews F41A 33/00
42/114
8,176,665 B2 * 5/2012 Petrovic A47B 91/00
40/606.01

(Continued)

Primary Examiner — Khawaja Anwar

Assistant Examiner — Mojtaba Tehrani

(74) *Attorney, Agent, or Firm* — Renner Kenner Greive
Bobak Taylor & Weber

(57) **CLAIM**

The ornamental design for a portable target, as shown and described.

DESCRIPTION

FIG. 1 is a perspective view of a portable target showing our new design;

FIG. 2 is a front elevational view thereof;

FIG. 3 is a rear elevational view thereof;

FIG. 4 is a right side elevational view thereof;

FIG. 5 is a left side elevational view thereof;

FIG. 6 is top plan view thereof;

FIG. 7 is a bottom plan view thereof;

FIG. 8 is a perspective view of a second embodiment for a portable target stand system;

FIG. 9 is a front elevational view thereof;

FIG. 10 is a rear elevational view thereof;

FIG. 11 is a right side elevational view thereof;

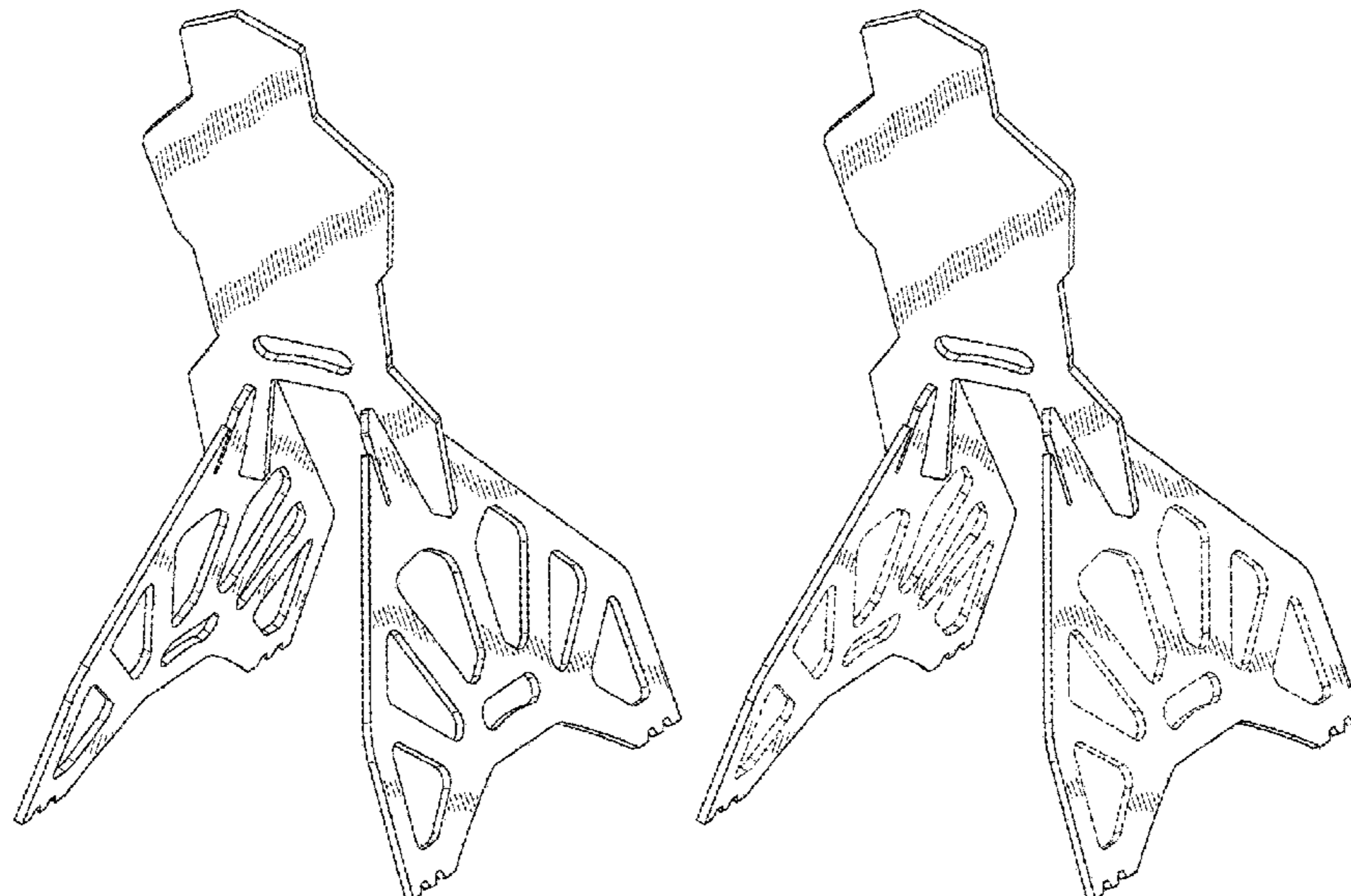
FIG. 12 is a left side elevational view thereof;

FIG. 13 is a top plan view thereof; and,

FIG. 14 is a bottom plan view thereof.

The broken lines showing optional openings and optional features are environmental only and form no part of the claimed design.

1 Claim, 12 Drawing Sheets



(56)

References Cited

U.S. PATENT DOCUMENTS

8,622,394	B2 *	1/2014	Larue	F41J 1/10 273/407
8,656,628	B2 *	2/2014	Jock	F41G 1/30 42/113
D712,003	S *	8/2014	Bailey	D22/113
9,010,012	B2 *	4/2015	Matthews	F41G 1/30 356/138
D775,692	S	1/2017	Tedeschi	D21/303
9,631,904	B2 *	4/2017	Cesternino	F41J 9/02
D787,008	S	5/2017	Hale	D22/113
D788,876	S	6/2017	Brooks	D22/113
9,714,816	B2 *	7/2017	Temple	F41J 1/10
9,746,291	B1 *	8/2017	Crawford	F41J 5/18
9,784,538	B2 *	10/2017	Sovine	F41J 1/10
10,168,129	B2 *	1/2019	Brune	F41J 7/04
D849,872	S *	5/2019	Lessnick	D22/113
D854,645	S *	7/2019	Coppi	D22/113
D856,462	S *	8/2019	Wilson	D22/113
D860,376	S *	9/2019	Boso	D22/113
2015/0330747	A1 *	11/2015	Ferrell	F41J 1/10 273/407
2016/0202026	A1 *	7/2016	Temple	F41J 1/10 273/406
2016/0209184	A1 *	7/2016	Anderson	F41J 7/04
2018/0087881	A1 *	3/2018	Bickel	F41J 7/04

* cited by examiner

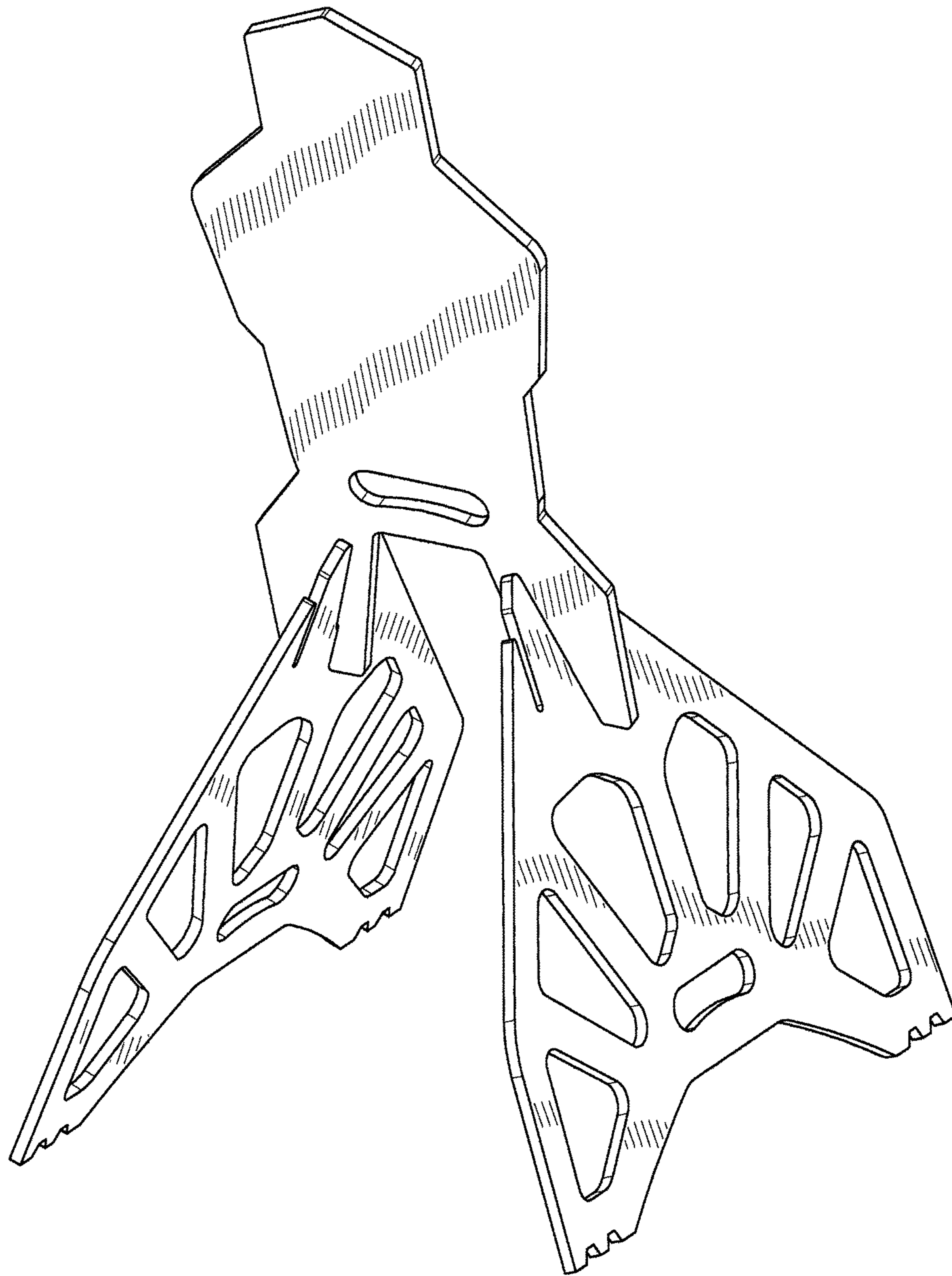


FIG. 1

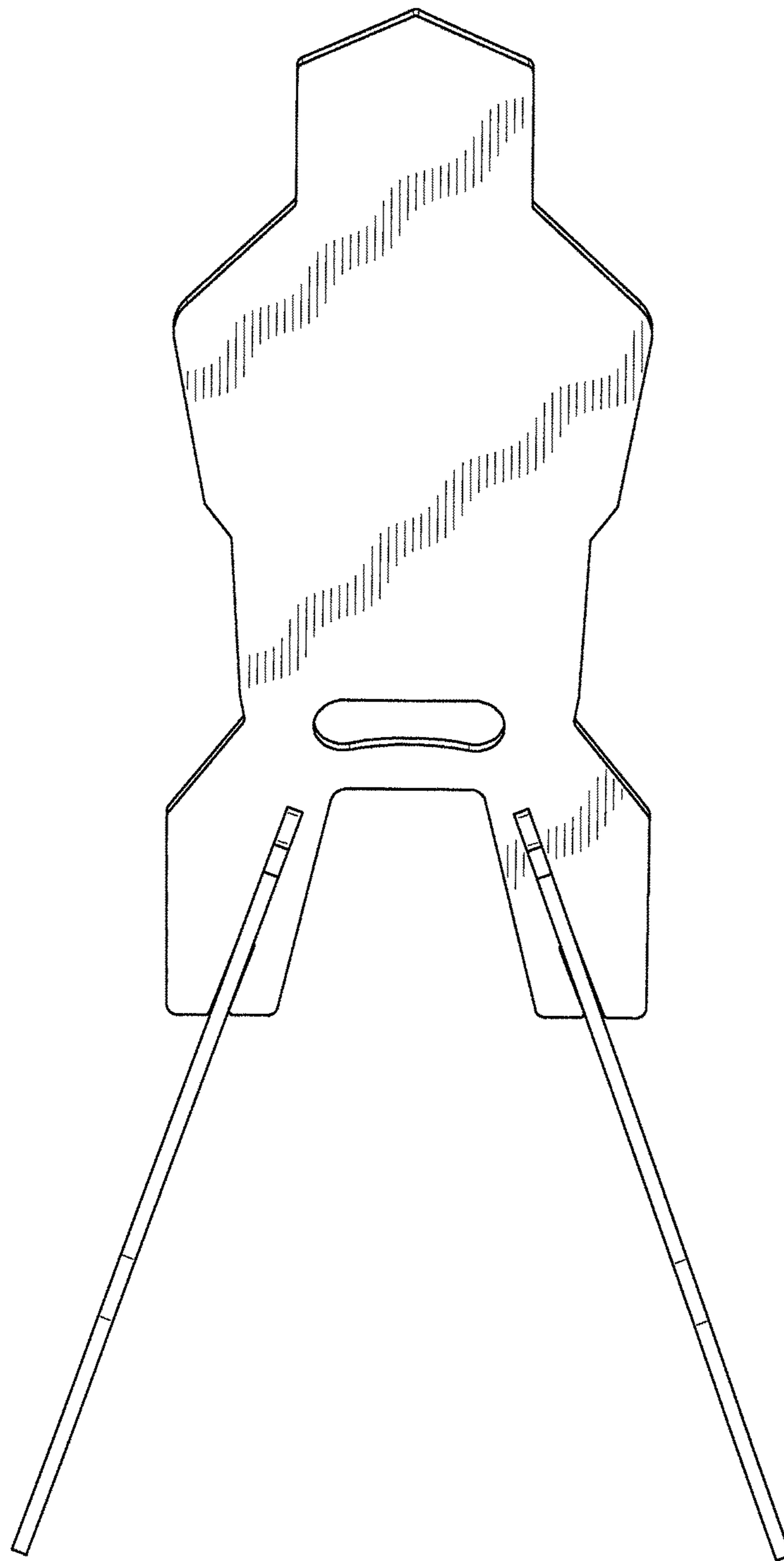


FIG.2

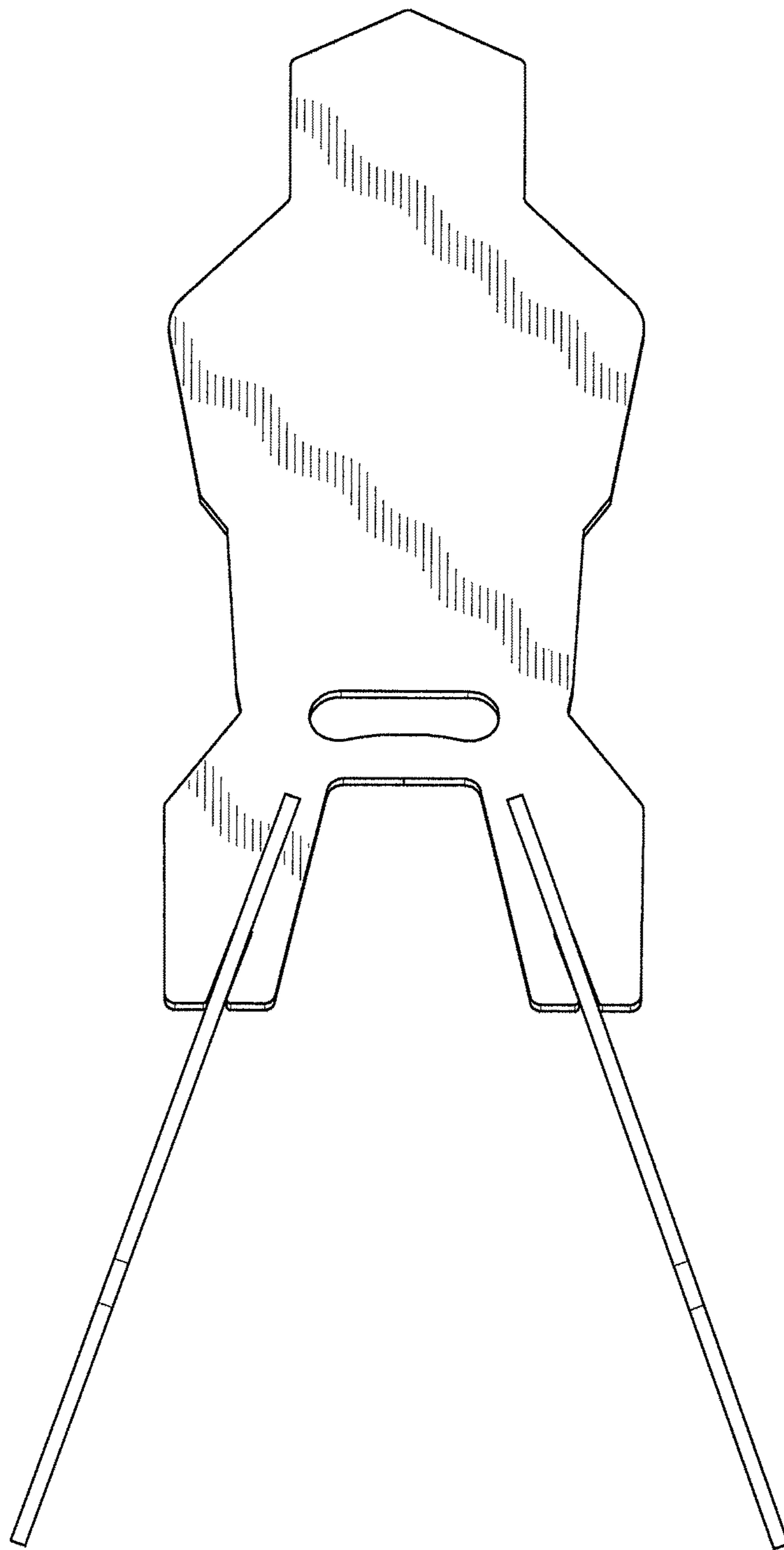


FIG. 3

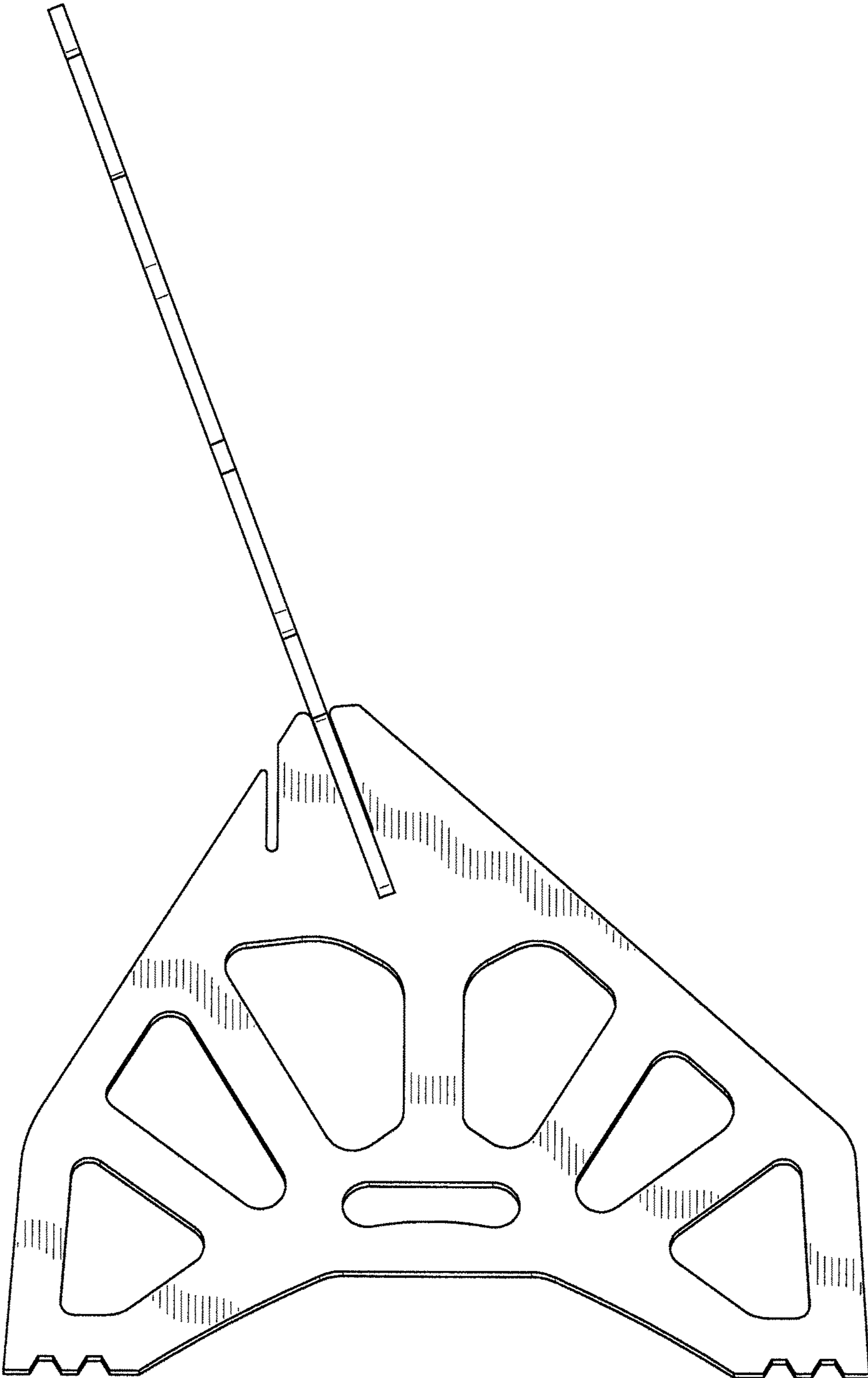


FIG.4

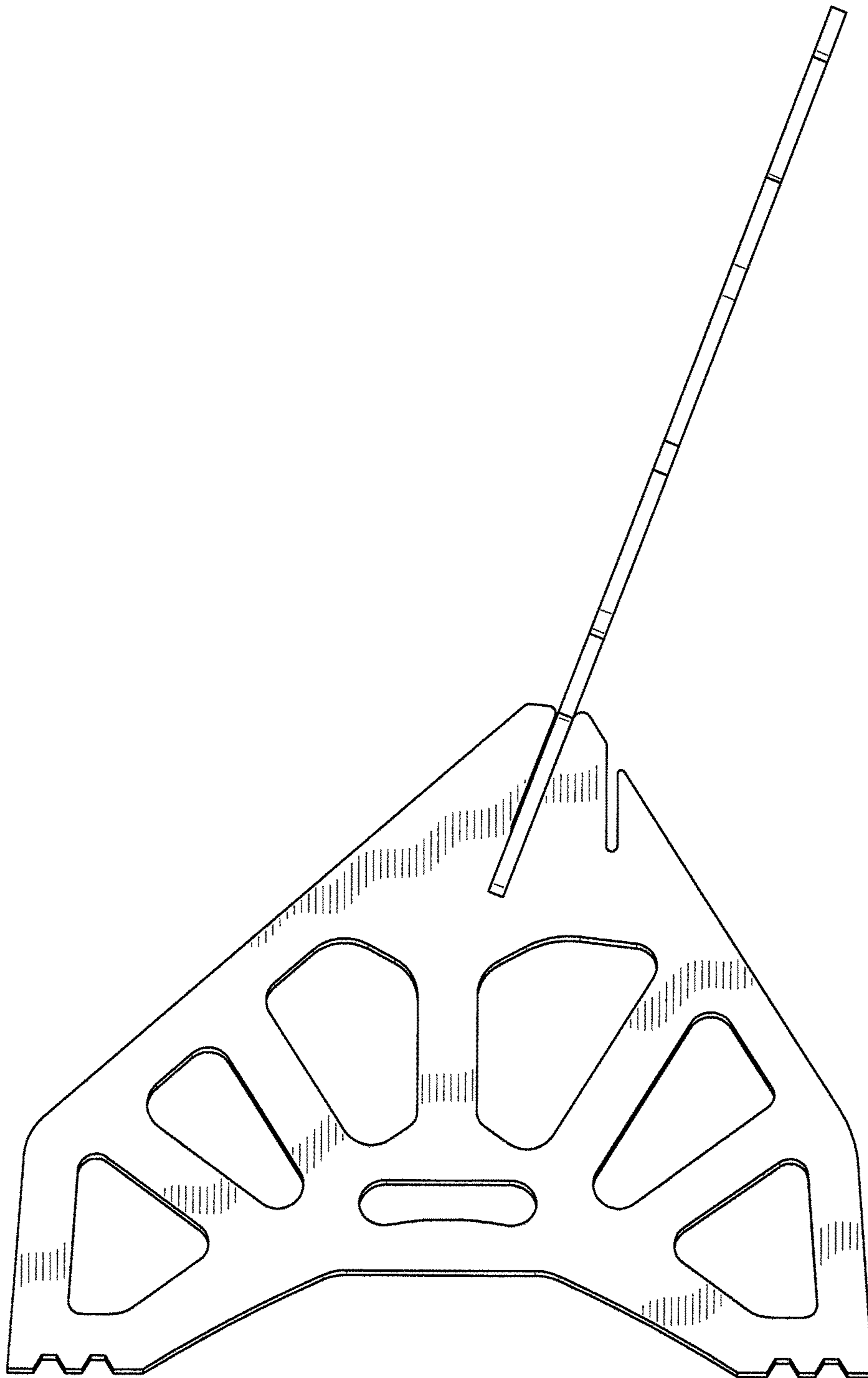


FIG. 5

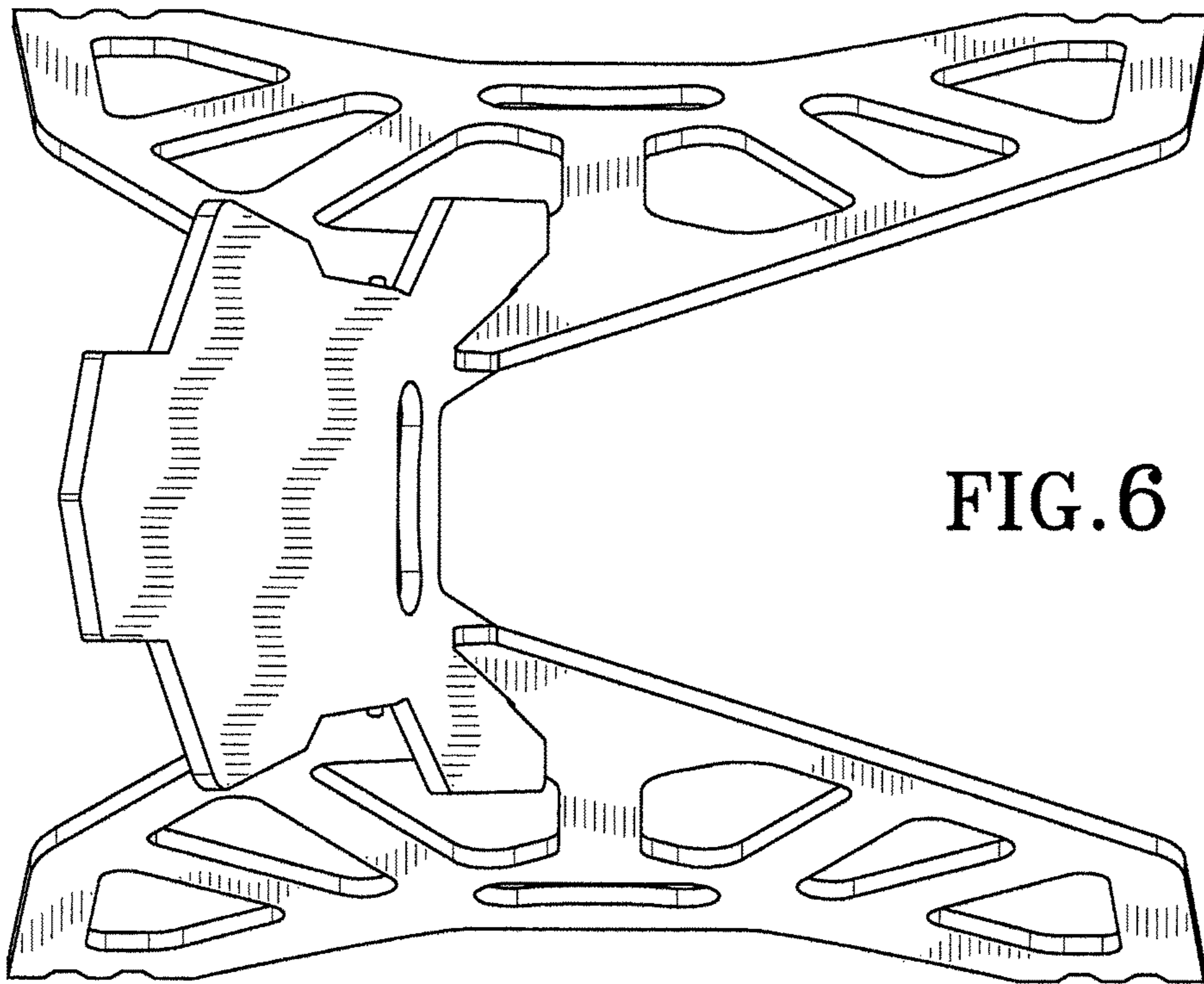


FIG. 6

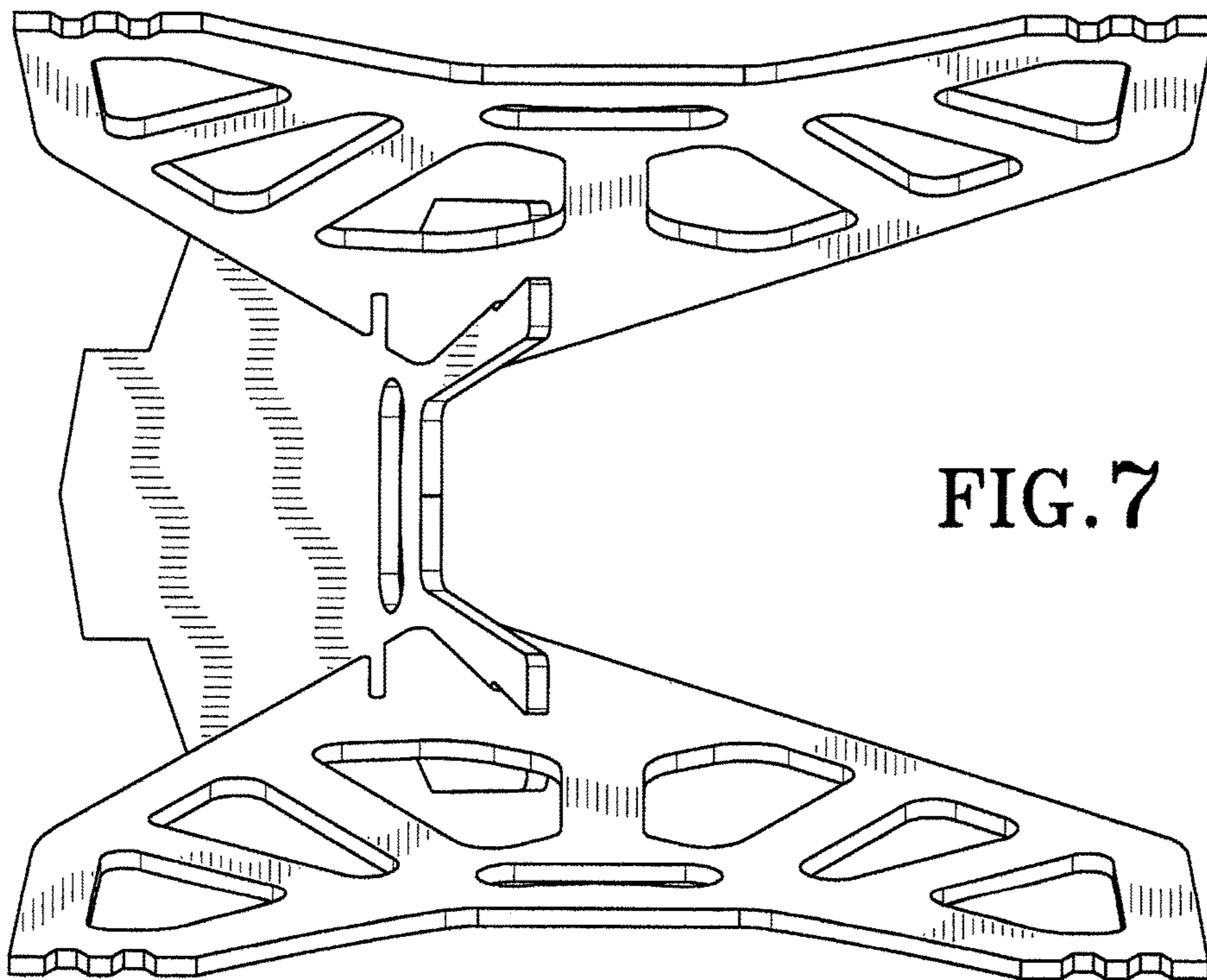


FIG. 7

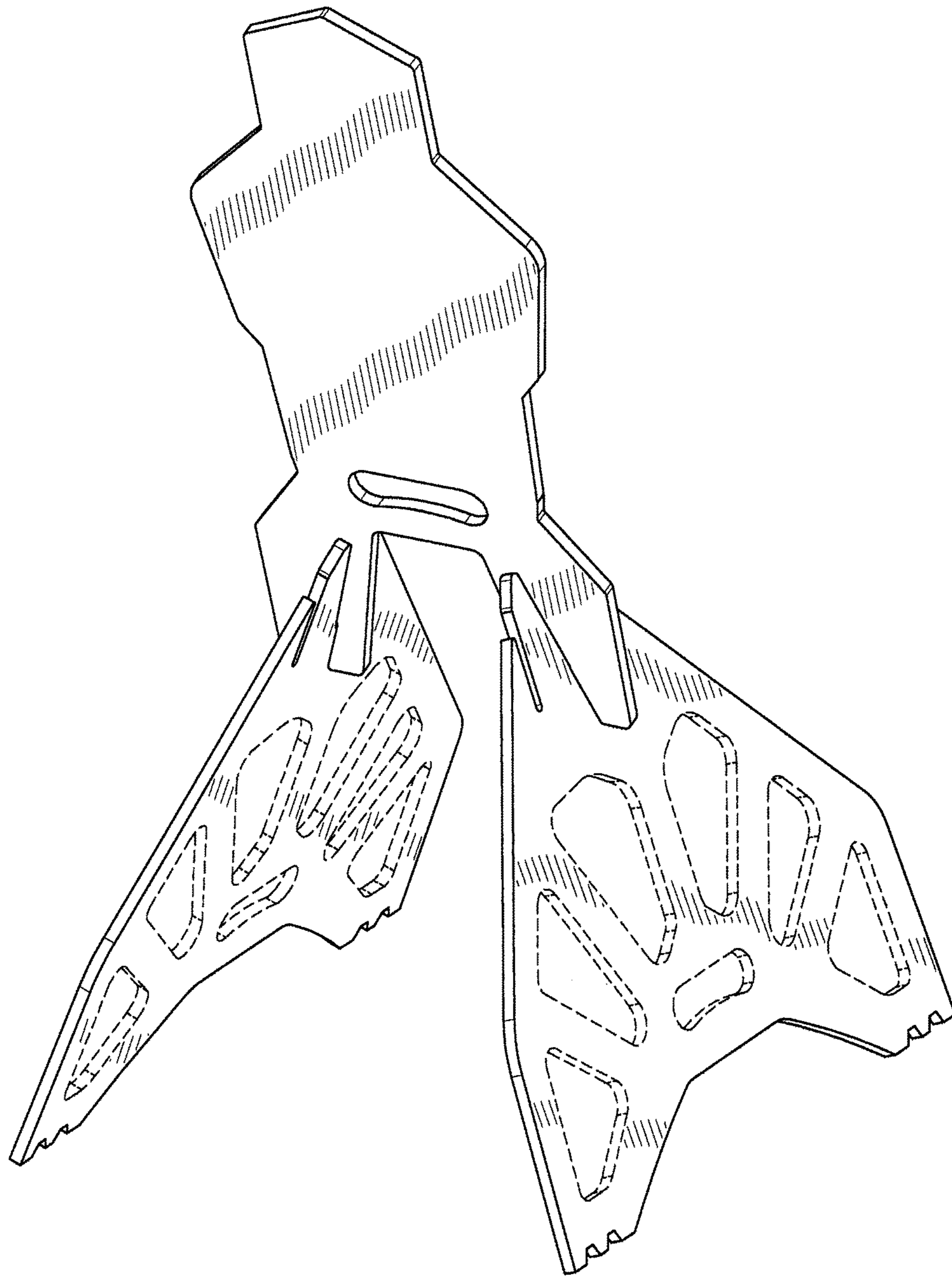


FIG. 8

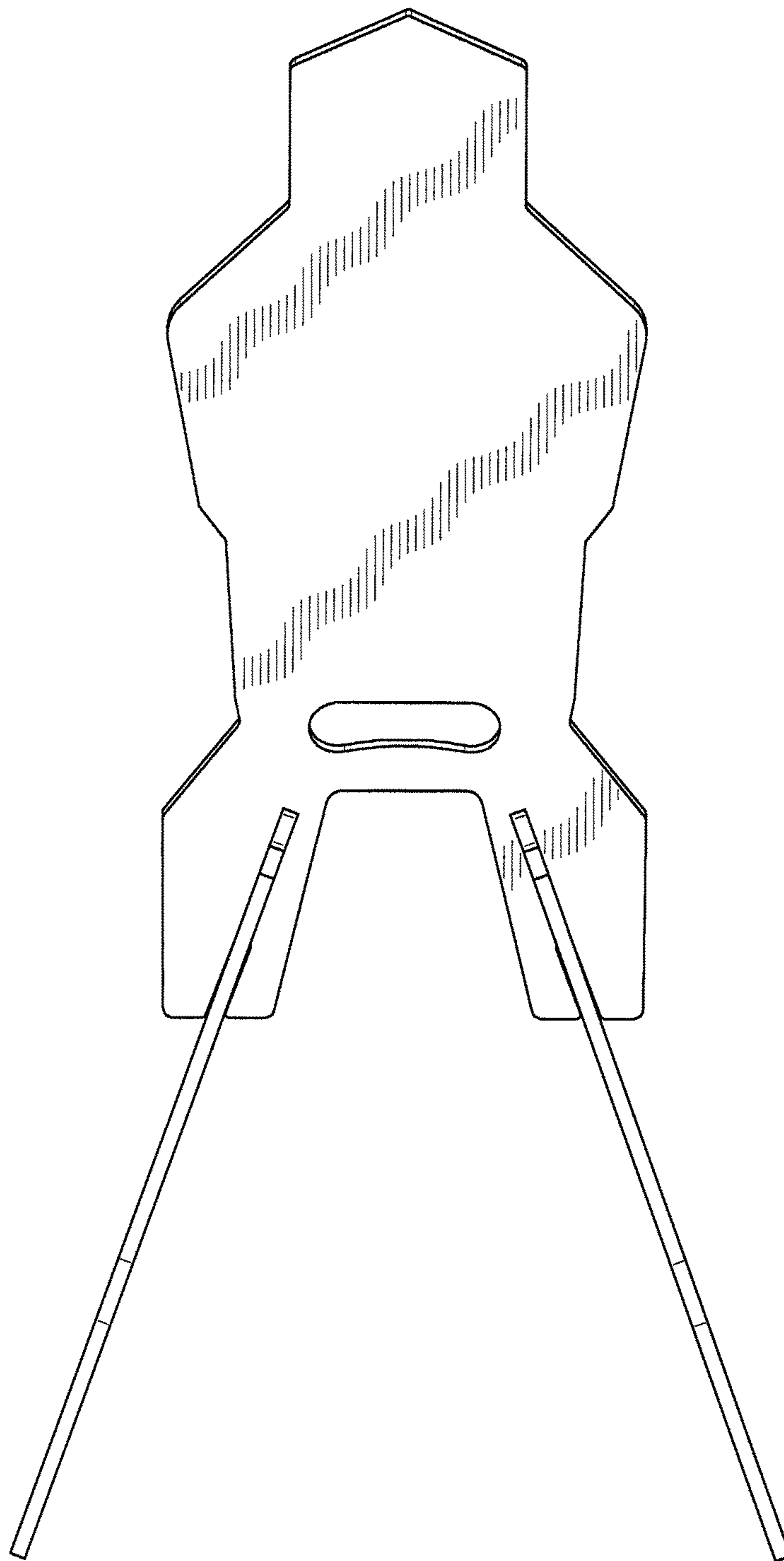


FIG. 9

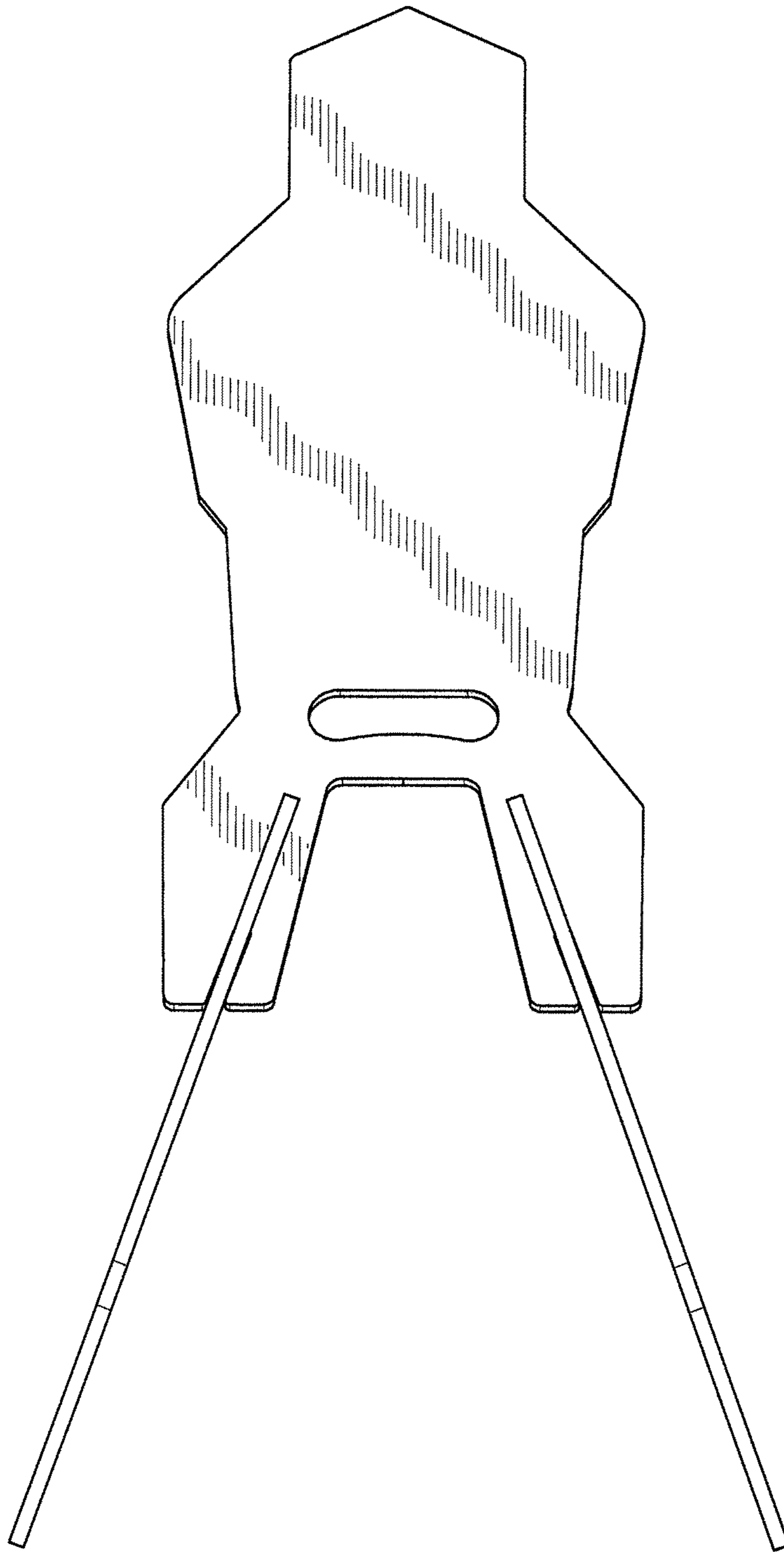


FIG. 10

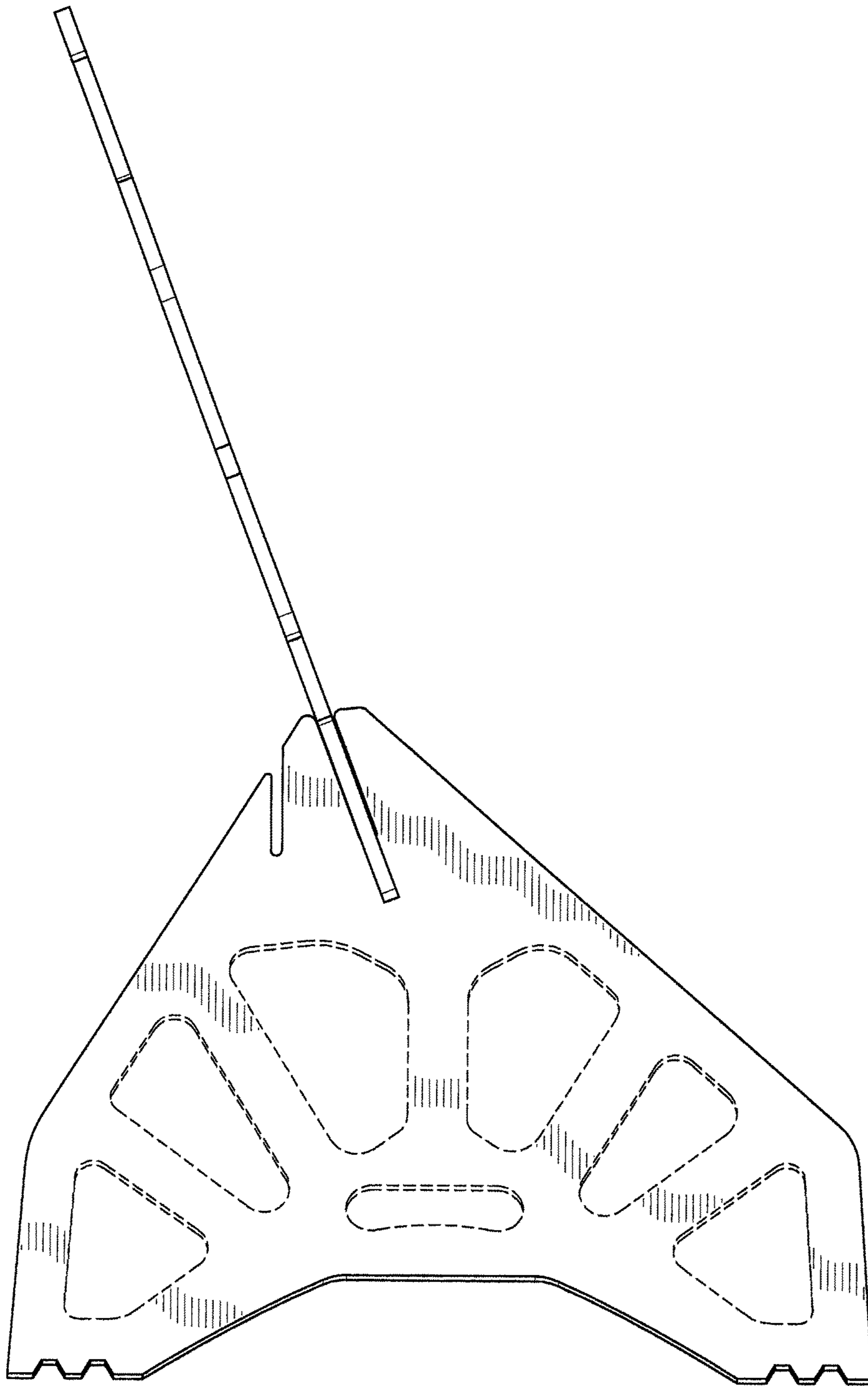


FIG. 11

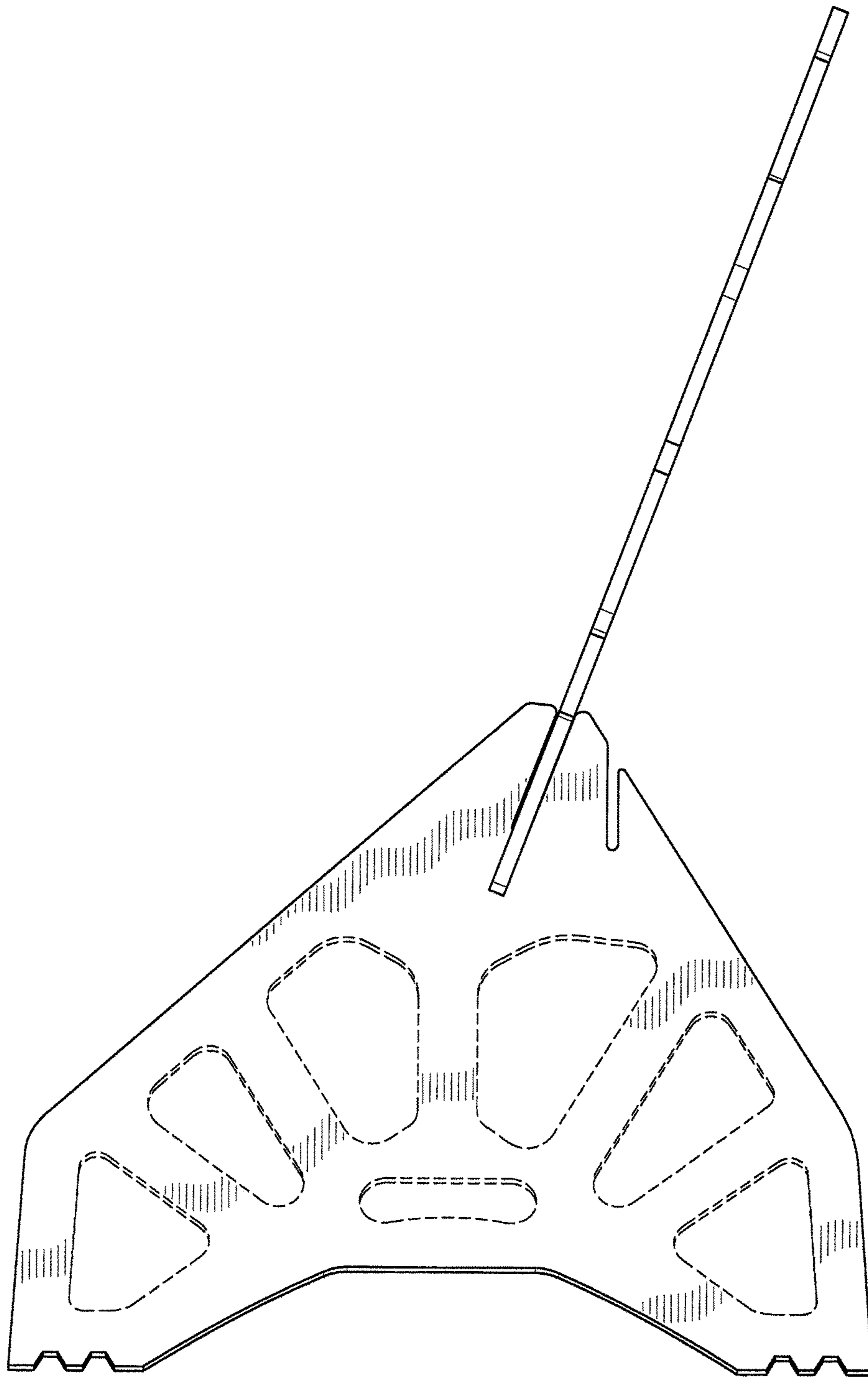


FIG. 12

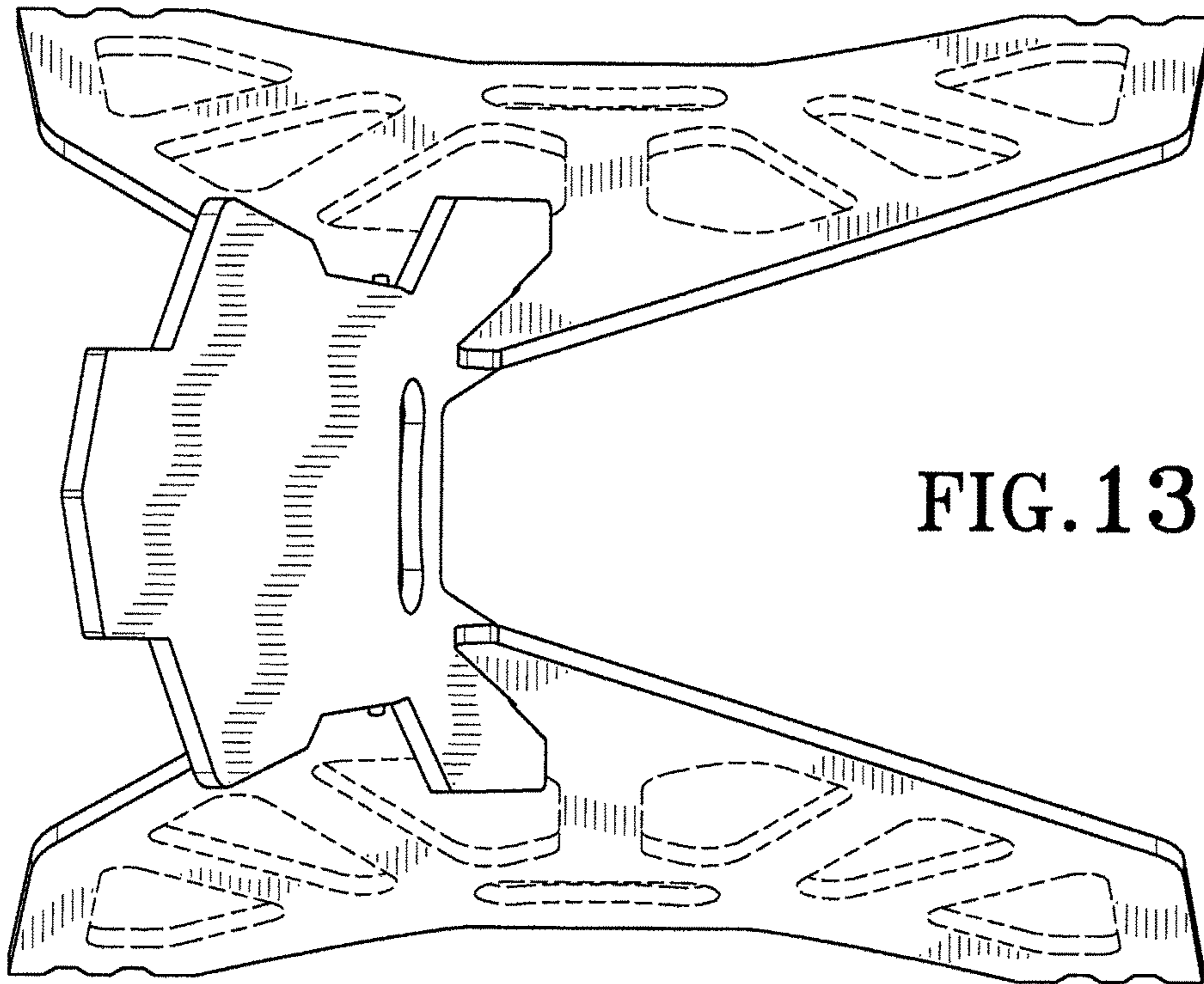


FIG. 13

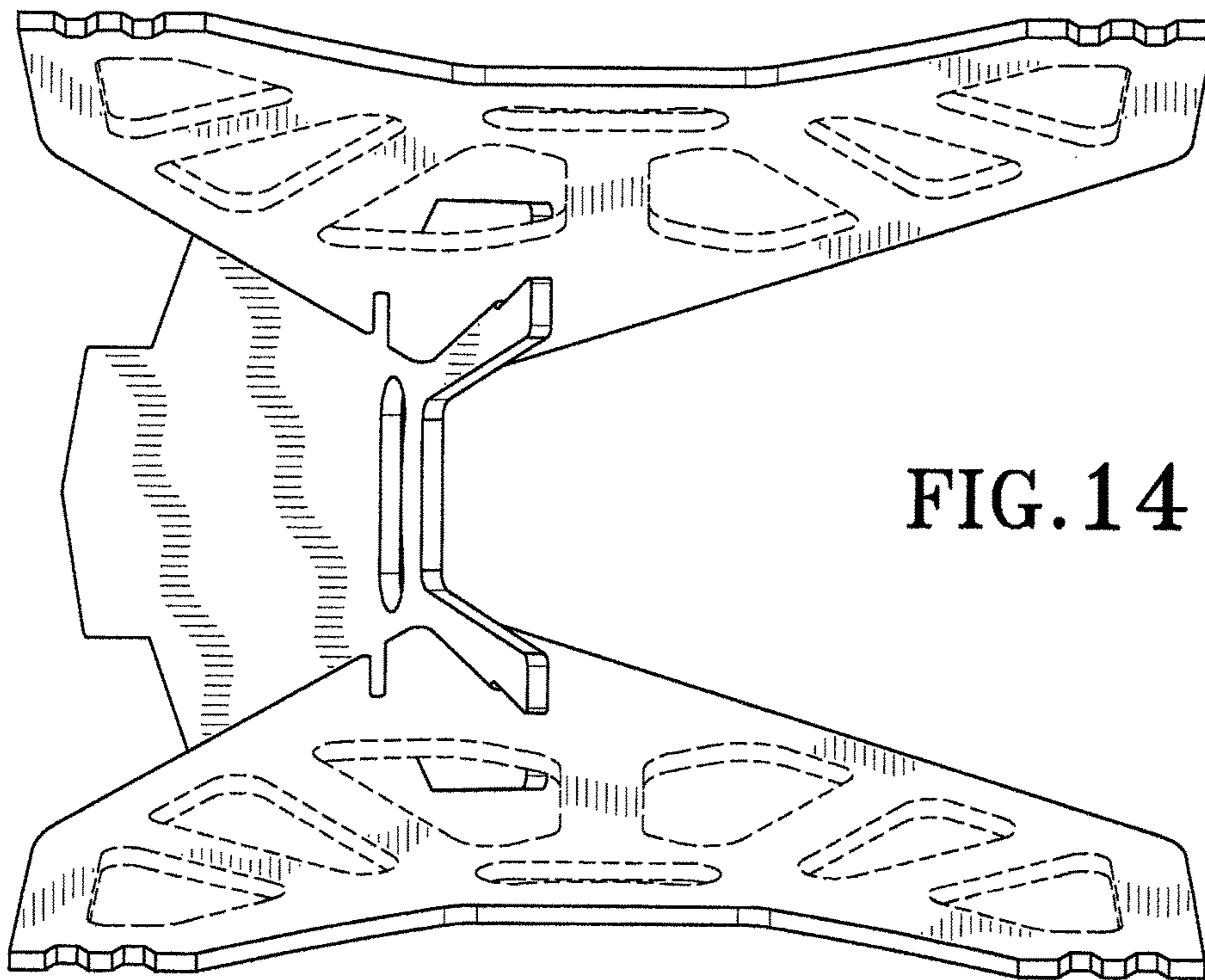


FIG. 14