



US00D896915S

(12) **United States Design Patent** (10) **Patent No.:** **US D896,915 S**
Storch (45) **Date of Patent:** **** Sep. 22, 2020**

(54) **FIREARM ACCESSORY MOUNT**
(71) Applicant: **Midwest Industries, Inc.**, Waukesha, WI (US)
(72) Inventor: **Troy Storch**, Wales, WI (US)
(73) Assignee: **Midwest Industries, Inc.**, Waukesha, WI (US)
(**) Term: **15 Years**
(21) Appl. No.: **29/688,904**
(22) Filed: **Apr. 25, 2019**
(51) **LOC (12) Cl.** **22-01**
(52) **U.S. Cl.**
USPC **D22/110**
(58) **Field of Classification Search**
USPC D22/100, 101, 103, 104, 108, 109, 110, D22/111, 115, 116, 199; D21/567, 573, D21/574
CPC ... F41G 1/30; F41G 1/42; F41G 11/00; F41G 11/001; F41C 7/00; F41C 3/005; F41C 23/04; F41C 23/10
See application file for complete search history.

D864,344 S * 10/2019 Waters D22/108
2011/0076095 A1* 3/2011 Storch F41G 11/003
403/322.4
2018/0023924 A1* 1/2018 Storch F41G 11/00
42/90

OTHER PUBLICATIONS

“Midwest Industries Red Dot mount for Ruger PC Carbine” [online]. Midwest Industries Inc. [Published on Nov. 8, 2019]. Retrieved from the Internet: <<https://www.youtube.com/watch?v=SMZmvx6SDX8>>.*

* cited by examiner

Primary Examiner — Khawaja Anwar
Assistant Examiner — Mojtaba Tehrani
(74) *Attorney, Agent, or Firm* — Boyle Fredrickson S.C.

(57) **CLAIM**

The ornamental design for a firearm accessory mount, as shown and described.

DESCRIPTION

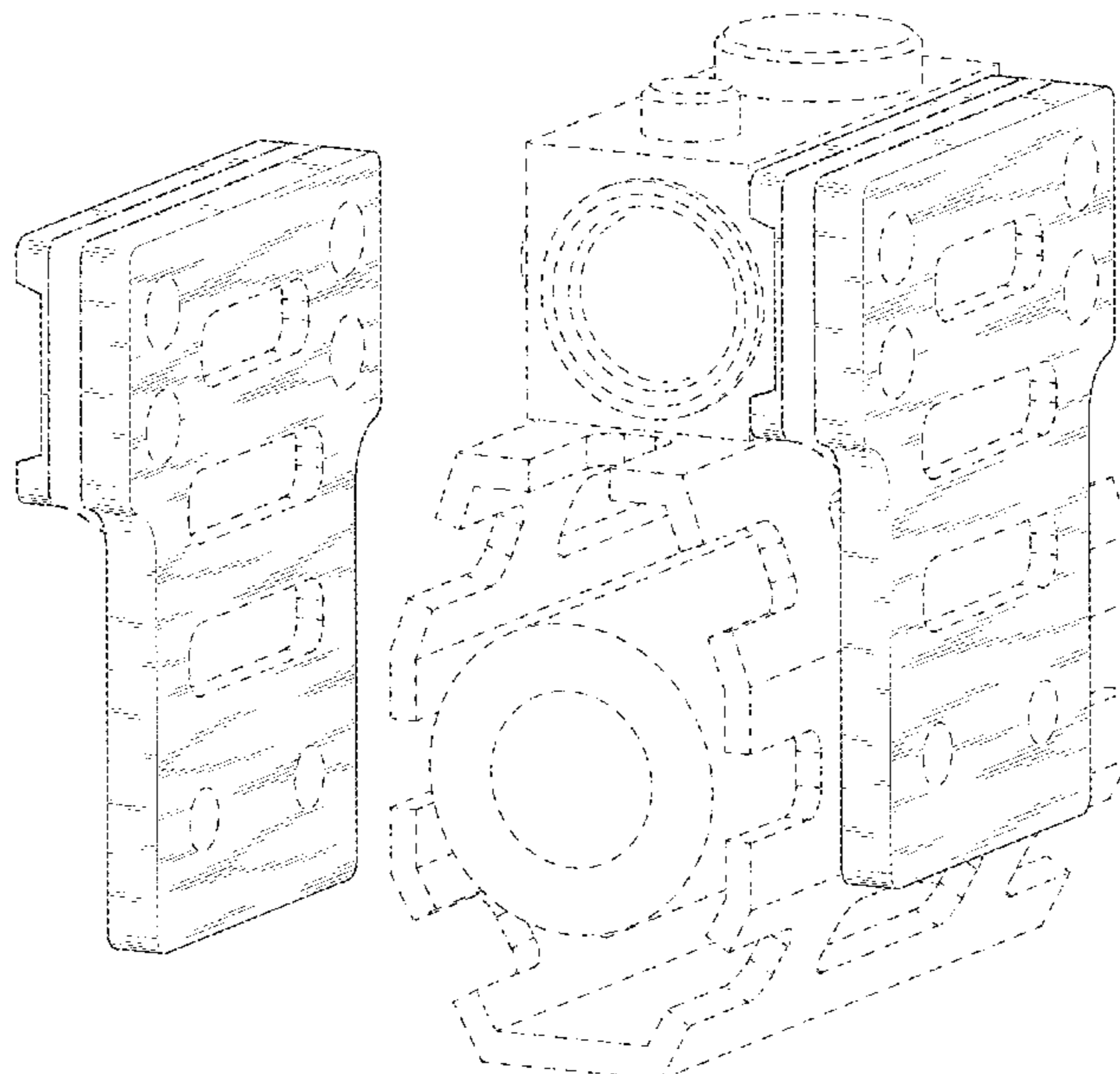
FIG. 1 is a perspective view of a firearm accessory mount incorporating my new design viewed from rearward, above, and from the right side thereof;
FIG. 2 is a front elevation view thereof;
FIG. 3 is a rear elevation view thereof;
FIG. 4 is a left side elevation view thereof;
FIG. 5 is a right side elevation view thereof;
FIG. 6 is a top plan view thereof;
FIG. 7 is a bottom plan view thereof; and,
FIG. 8 is a perspective view thereof viewed from rearward, above, and from the left side thereof when associated with environment of an optic accessory and a handguard.
The uniform broken lines in FIGS. 1-8 represent environmental structures, such as an optic accessory and a handguard of a firearm, and unclaimed portions of the design and the dash-dot lines illustrate boundaries and form no part of the claimed design.

1 Claim, 8 Drawing Sheets

(56) **References Cited**

U.S. PATENT DOCUMENTS

D247,148 S * 2/1978 Dicks D6/552
D584,789 S * 1/2009 Swan D22/108
D586,875 S * 2/2009 Swan D22/109
D588,672 S * 3/2009 Swan D22/109
D663,006 S * 7/2012 Storch D22/108
D665,868 S * 8/2012 Storch D22/110
D705,888 S * 5/2014 Magary D22/108
D716,407 S * 10/2014 Ferguson, II D22/108
D734,423 S * 7/2015 Borland D22/199
D861,823 S * 10/2019 Shelton D22/109



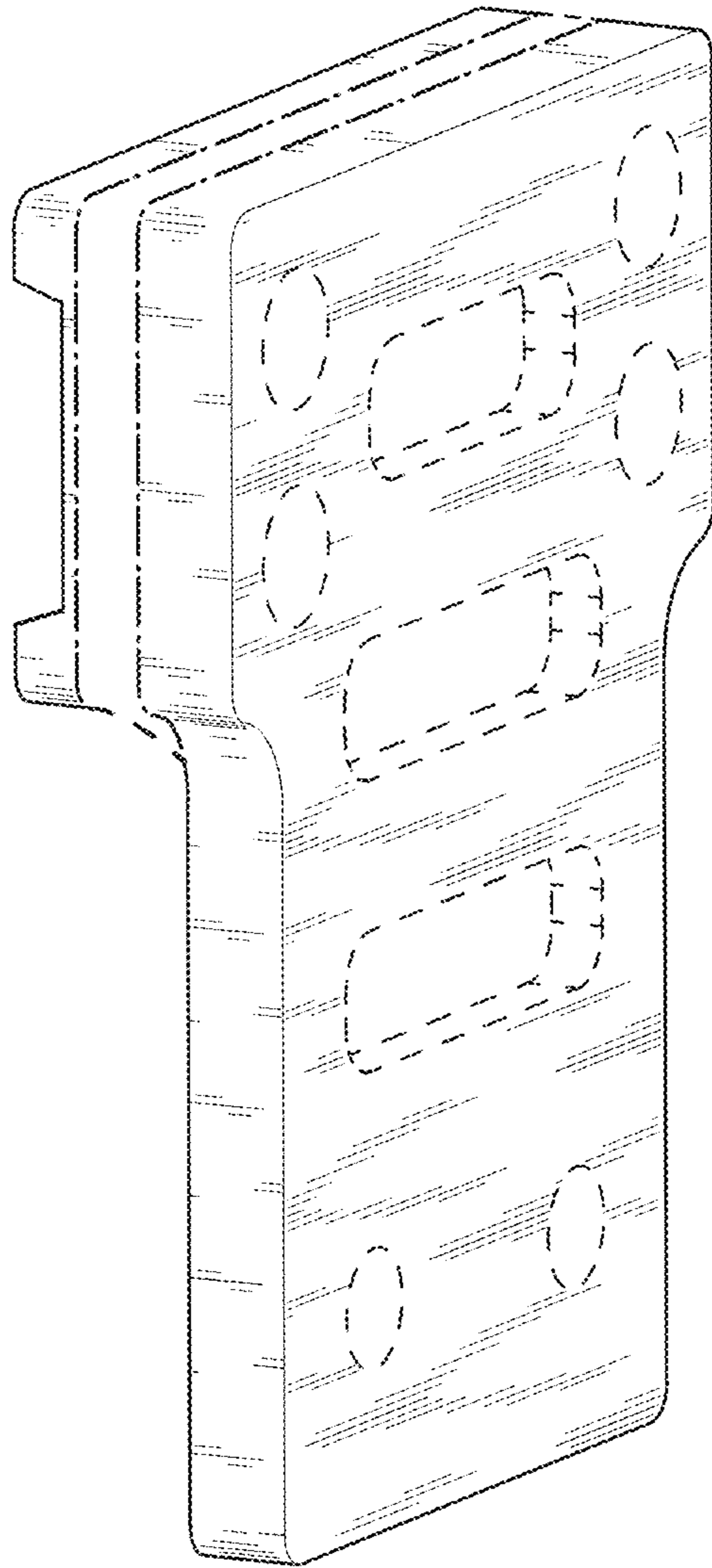


FIG. 1

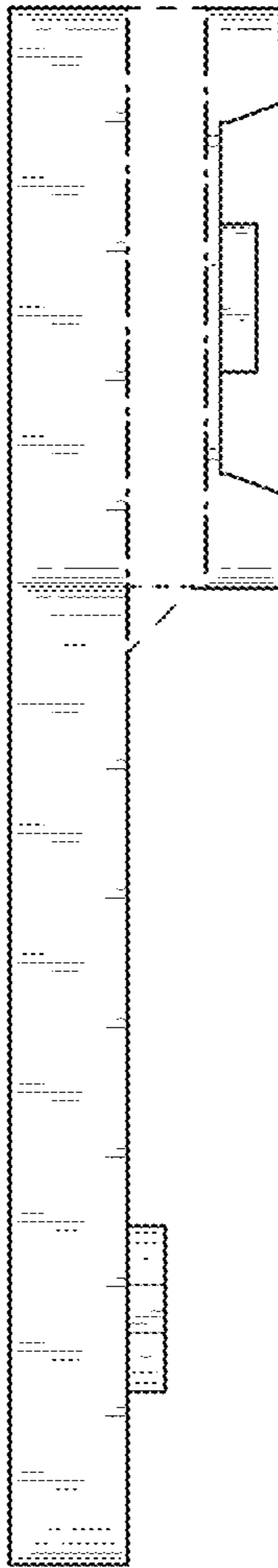


FIG. 2

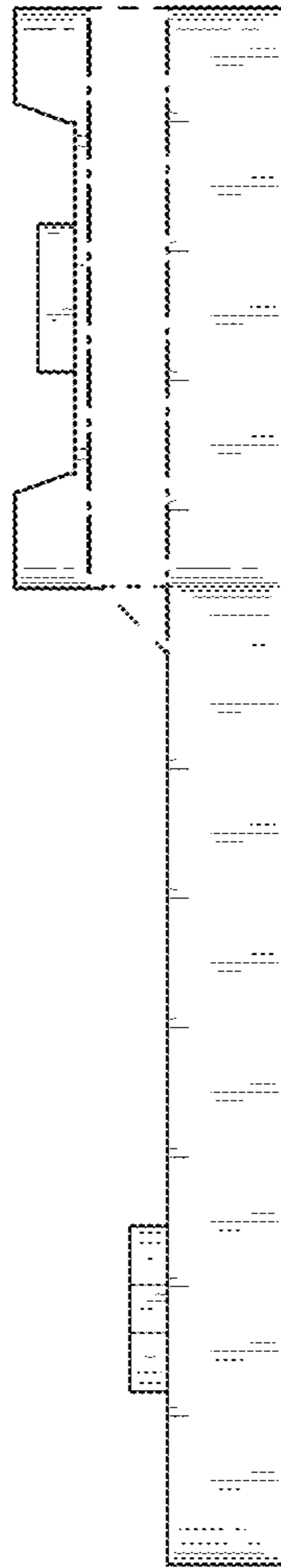


FIG. 3

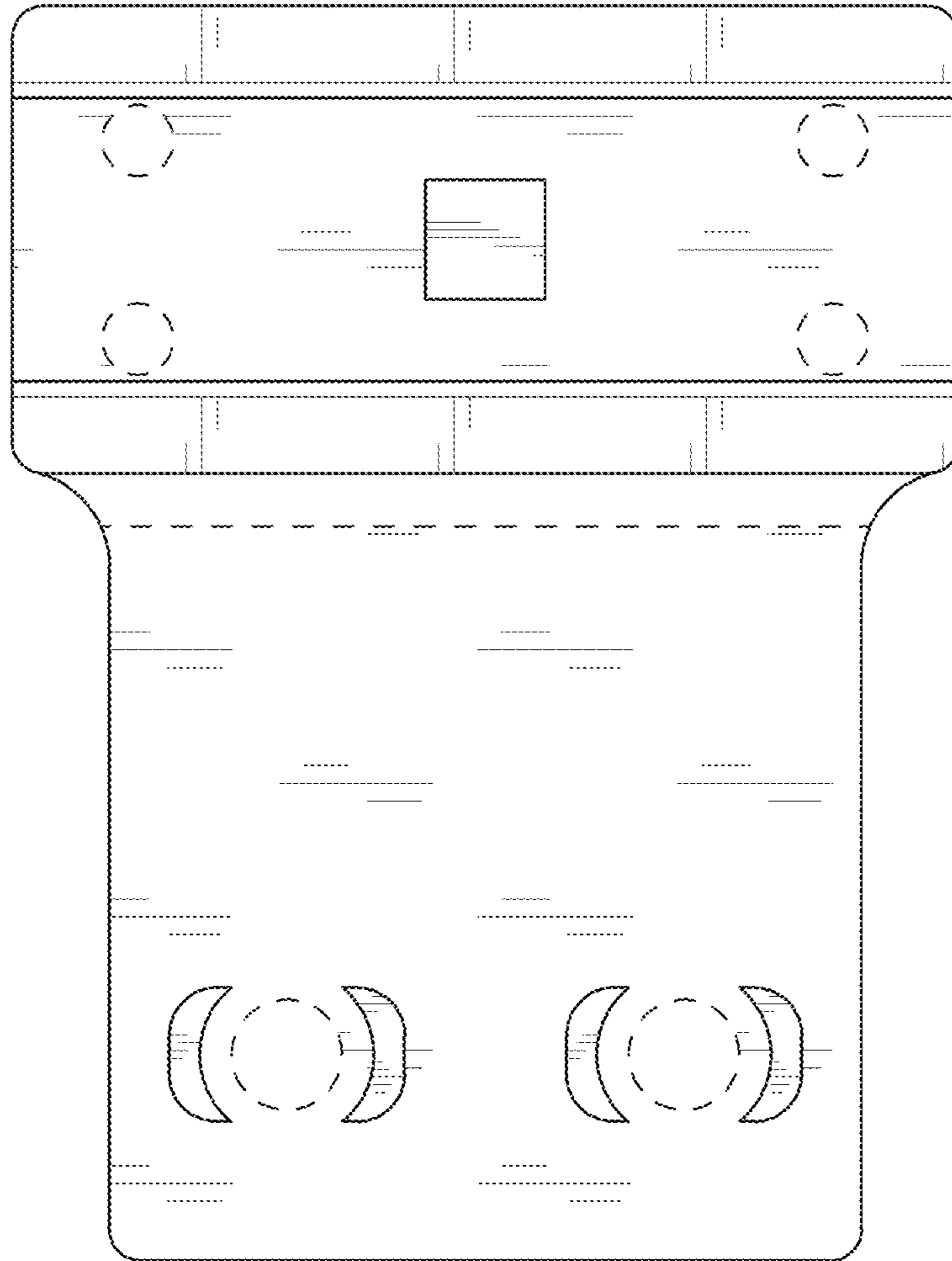


FIG. 4

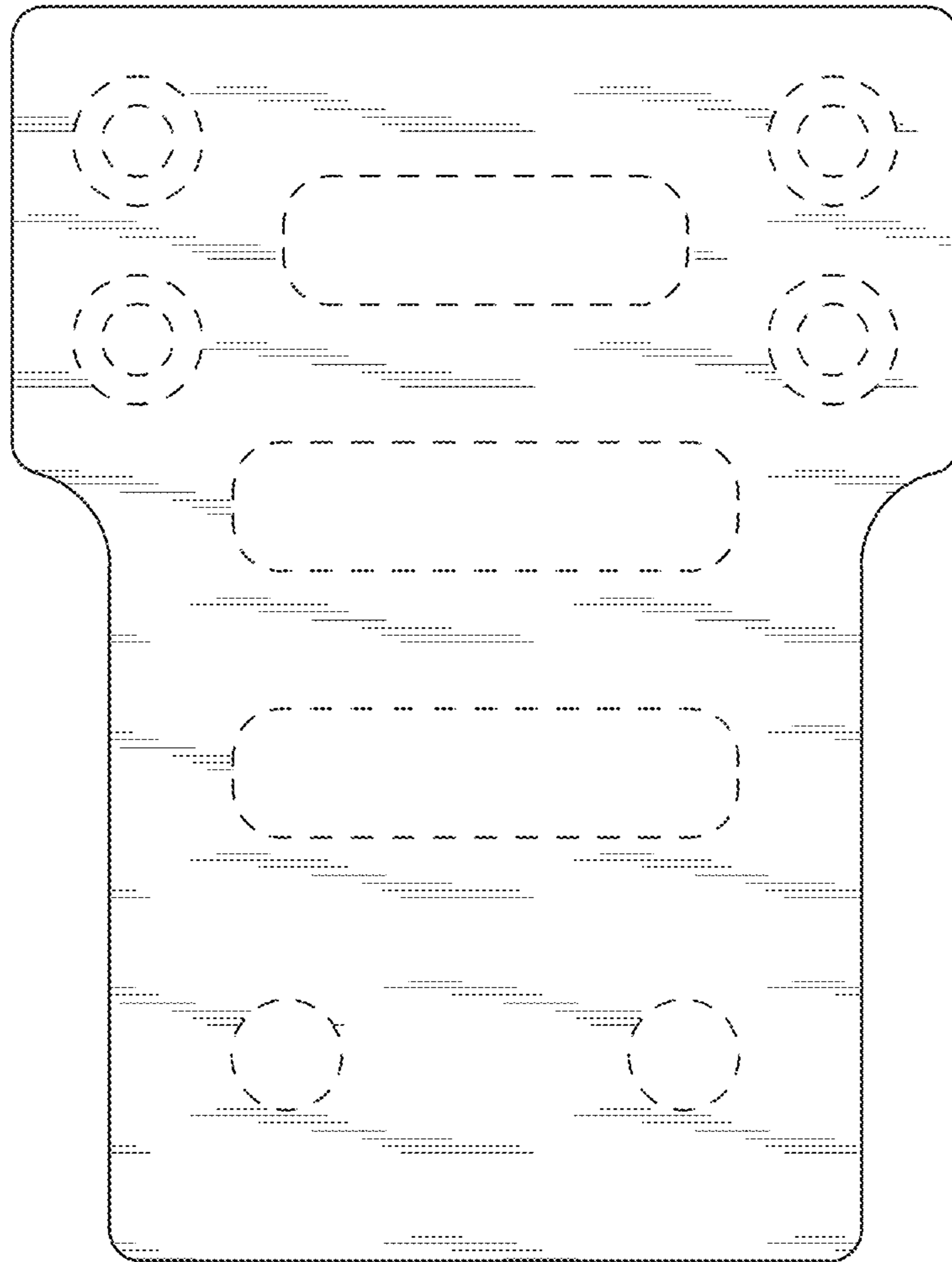


FIG. 5

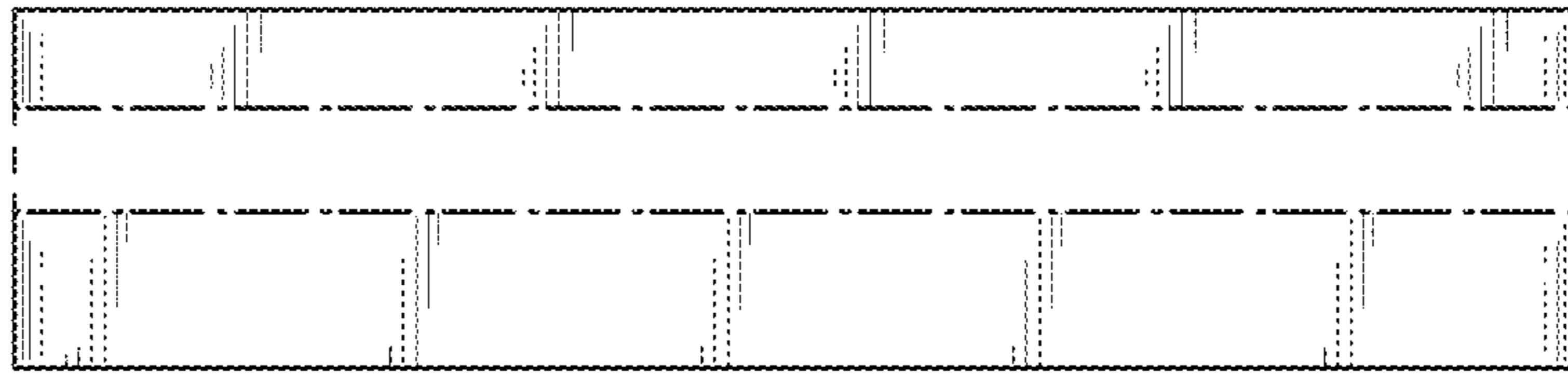


FIG. 6

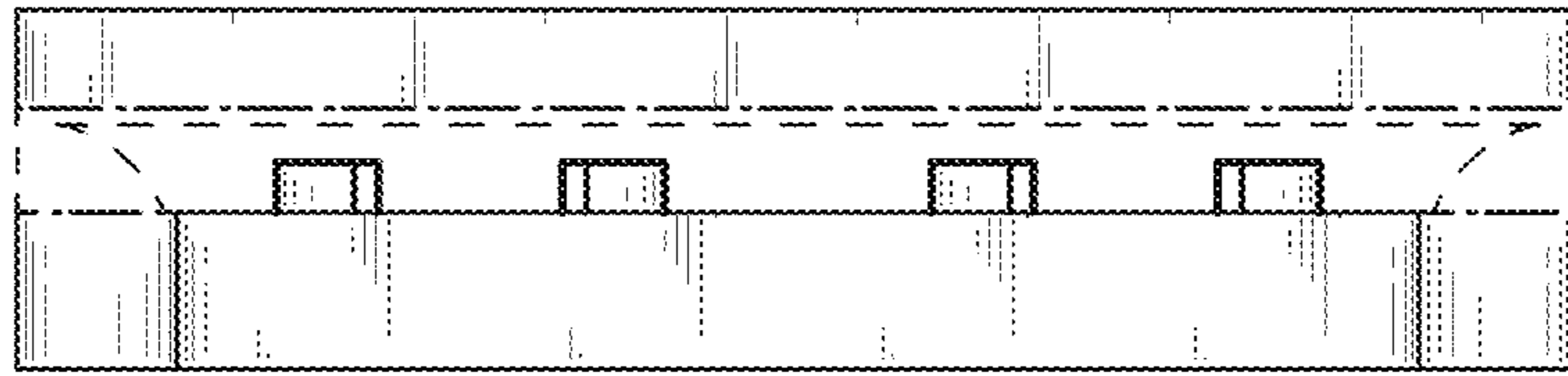


FIG. 7

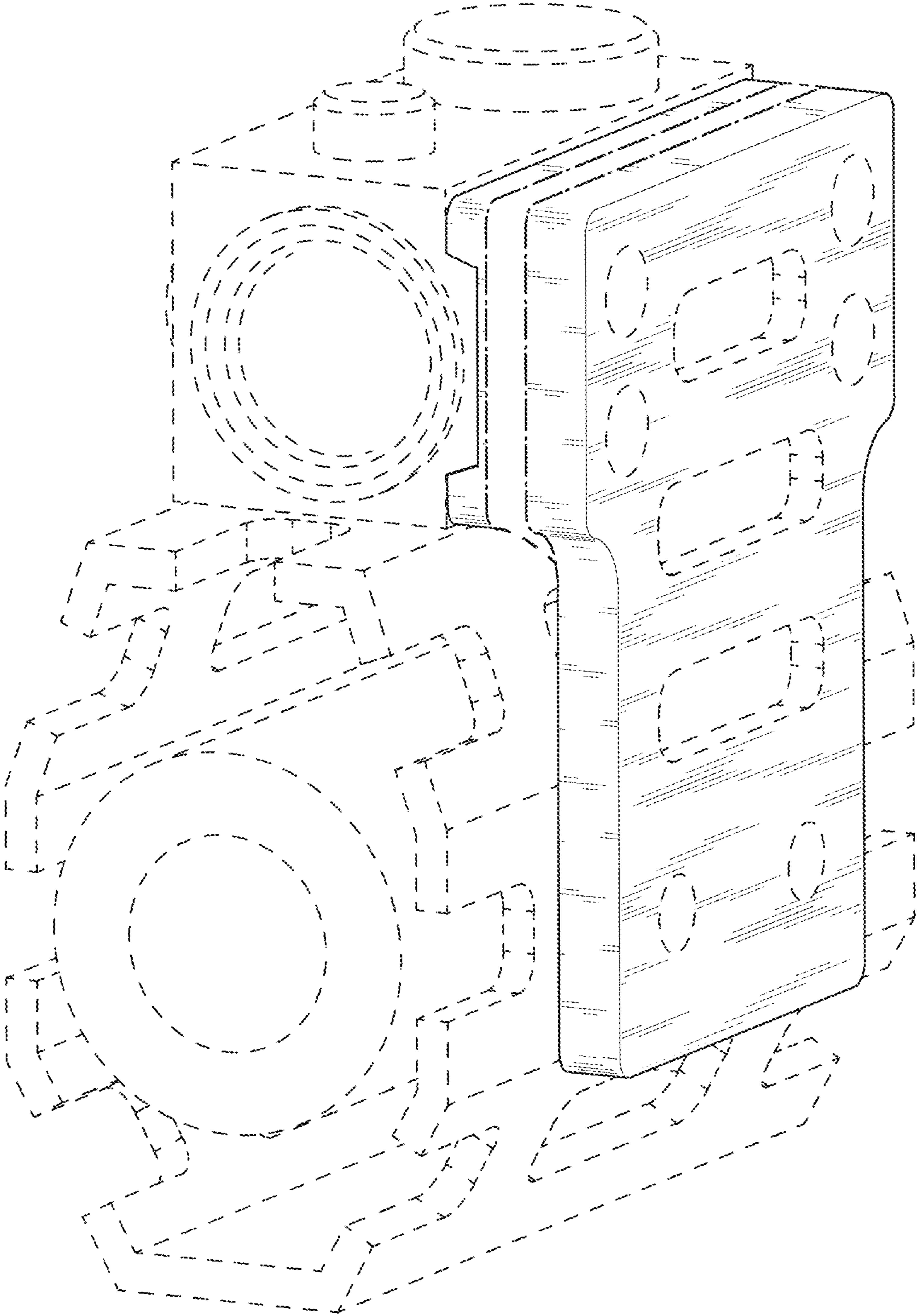


FIG. 8