



US00D896912S

(12) **United States Design Patent**
Fournet

(10) **Patent No.:** **US D896,912 S**

(45) **Date of Patent:** **** Sep. 22, 2020**

(54) **GUN COCKING DEVICE**

(71) Applicant: **George J. Fournet**, Youngsville, LA (US)

(72) Inventor: **George J. Fournet**, Youngsville, LA (US)

(**) Term: **15 Years**

(21) Appl. No.: **29/674,286**

(22) Filed: **Dec. 20, 2018**

Related U.S. Application Data

(62) Division of application No. 29/599,211, filed on Mar. 31, 2017, now Pat. No. Des. 850,558.

(51) **LOC (12) Cl.** **22-01**

(52) **U.S. Cl.**
USPC **D22/108**

(58) **Field of Classification Search**
USPC D22/100, 108, 109, 110, 199; D12/114, D12/223, 162, 349; 42/111, 114, 94; D6/552; 102/430; 114/218; 224/192, 224/193, 243, 912, 198, 199, 238, 239, 224/244, 911, 311, 442, 413, 571, 551, 224/521; 89/1.4, 40.01, 40.03, 37.04; 211/66, 64; D8/363, 381, 349, 373, 380, D8/354, 356, 396; 248/309.1, 309.2, 317, 248/274.1, 284.1, 300, 27.1, 200; 280/415.1, 416.1, 507-511, 491.1-491.3; 15/314
CPC F41A 19/00; F41G 11/003
See application file for complete search history.

(56) **References Cited**

U.S. PATENT DOCUMENTS

3,031,069 A 4/1962 Hirsch
3,804,306 A 4/1974 Azurin
4,043,065 A 8/1977 Musgrave
4,055,015 A 10/1977 Musgrave

4,138,044 A 2/1979 Musgrave
4,298,150 A 11/1981 Seldeen
D270,516 S 9/1983 Achille
4,823,671 A 4/1989 Buryta
5,467,909 A 11/1995 Resca et al.
D365,715 S 1/1996 Zebbedies
5,503,276 A 4/1996 Pierce
D394,201 S 5/1998 Newell et al.

(Continued)

OTHER PUBLICATIONS

Cock Block Video, YouTube.com, The Cock Bloc, Published on May 3, 2017, [online], [site visited Jul. 22, 2019]. <URL: https://www.youtube.com/watch?v=68Mt8wHxkl0&feature=youtu.be> (Year: 2017).*

(Continued)

Primary Examiner — T Chase Nelson
Assistant Examiner — Jonathan J. Han
(74) *Attorney, Agent, or Firm* — Greg Mier

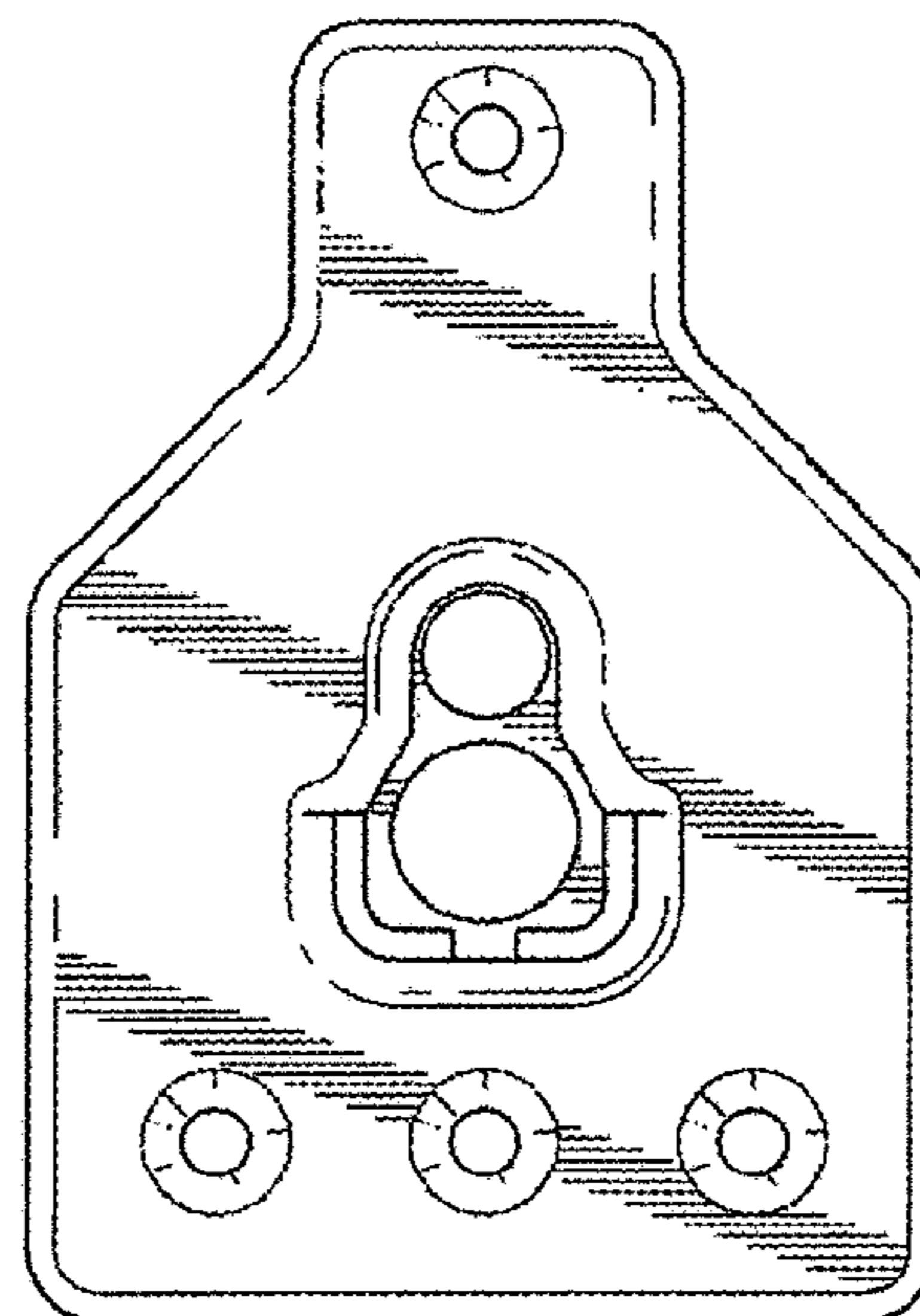
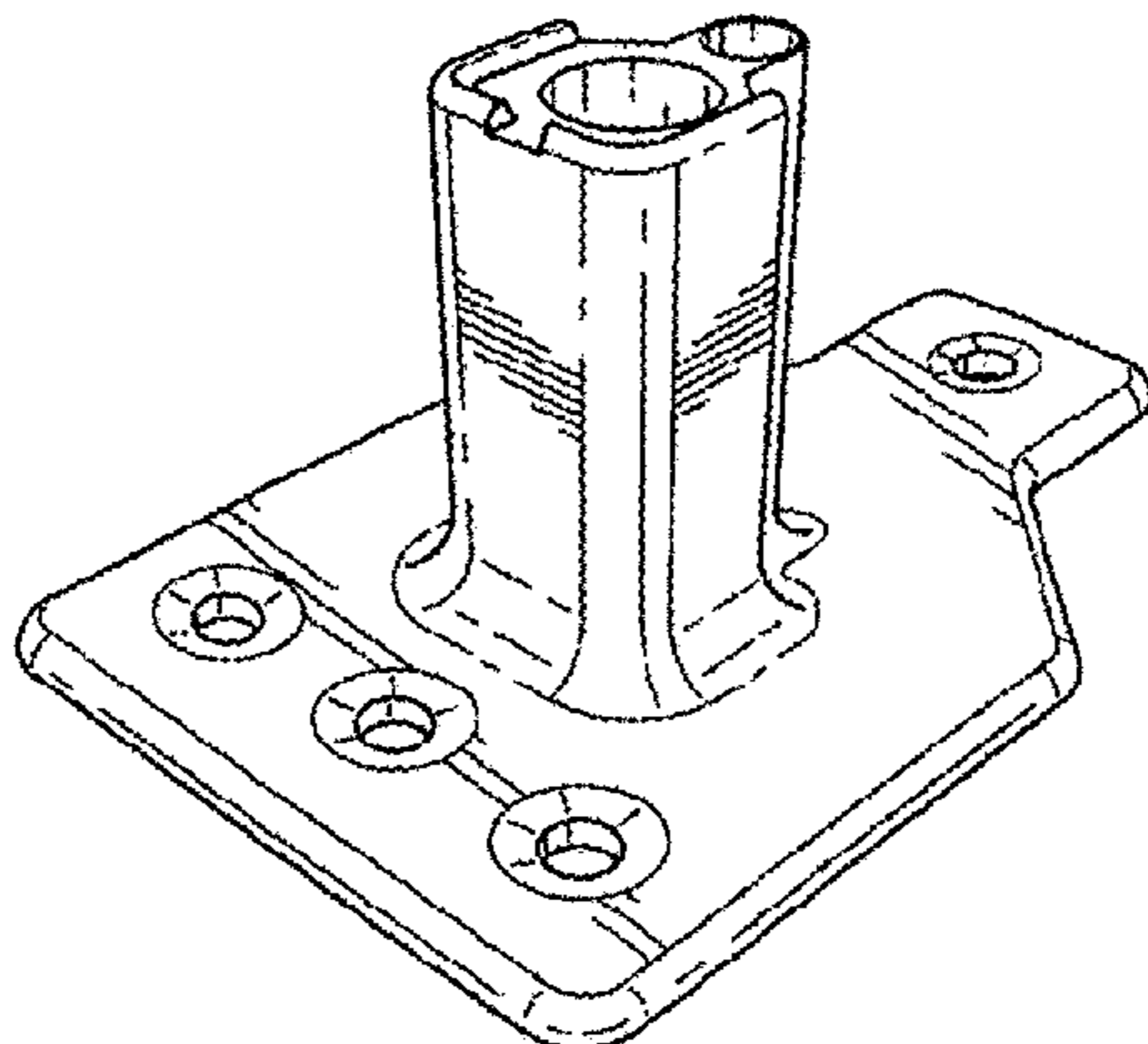
(57) **CLAIM**

The ornamental design for a gun cocking device, as shown and described.

DESCRIPTION

FIG. 1 is a perspective view of the gun cocking device showing my design in use with a gun;
FIG. 2 is another perspective view of the gun cocking device showing my new design;
FIG. 3 is a top view thereof;
FIG. 4 is a bottom view thereof;
FIG. 5 is a front view thereof;
FIG. 6 is a rear view thereof;
FIG. 7 is a side view thereof; and,
FIG. 8 is an opposite side view thereof.
The broken lines in the drawings are used to illustrate portions of the gun cocking device and environment that form no part of the claimed design.

1 Claim, 4 Drawing Sheets



(56)

References Cited

U.S. PATENT DOCUMENTS

D397,403 S 8/1998 Zebbedies
 6,050,464 A 4/2000 Ramsey, Sr. et al.
 D428,962 S 8/2000 Morford
 D448,717 S 10/2001 Hanson et al.
 6,302,502 B1 10/2001 Larsen, Jr.
 D464,014 S 10/2002 Adams et al.
 6,561,073 B1 5/2003 Hogmoe
 D515,910 S 2/2006 Gates et al.
 D555,459 S 11/2007 Goodwin, III et al.
 D568,437 S 5/2008 McBurney et al.
 D576,701 S 9/2008 Nichols
 D579,759 S 11/2008 Strait et al.
 7,487,941 B2 2/2009 McGinness et al.
 D588,067 S 3/2009 Seropian
 7,543,404 B2 6/2009 Kovalchuk et al.
 7,584,861 B2 9/2009 Werner
 D611,558 S 3/2010 Freeman
 D619,672 S 7/2010 Schneider
 D619,879 S 7/2010 McCarthy et al.
 7,866,616 B2 1/2011 Wen et al.
 7,942,385 B2 5/2011 Begin
 D658,975 S 5/2012 Cordova et al.
 8,438,774 B2 5/2013 Sharp et al.
 8,549,785 B2 10/2013 Sharp et al.
 D701,107 S 3/2014 White
 8,752,741 B2 6/2014 Stevens
 8,857,096 B2 10/2014 McClintock
 D730,483 S 5/2015 Rein, Jr.
 9,121,662 B1 9/2015 Love
 9,194,636 B2 11/2015 McAninch
 D761,374 S 7/2016 Ellsworth
 9,404,696 B2 8/2016 Karimullah et al.
 9,423,209 B1 8/2016 Hoeffken
 D768,755 S 10/2016 Thomas et al.

9,500,439 B1 11/2016 Dietrich et al.
 D773,588 S 12/2016 Wasankari
 9,512,961 B2 12/2016 Kho et al.
 9,523,545 B1 12/2016 Weller et al.
 9,531,067 B2 12/2016 Huerta et al.
 D788,251 S 5/2017 Sylvester et al.
 9,733,043 B1 * 8/2017 Cohen F41C 27/00
 D850,558 S * 6/2019 Fournet D22/108
 2006/0261112 A1 11/2006 Gates et al.
 2007/0132655 A1 6/2007 Lin
 2007/0137003 A1 * 6/2007 Zebe, Jr. A43C 7/04
 2011/0154710 A1 * 6/2011 Hatfield F41A 19/34
 2011/0283587 A1 * 11/2011 Sharp F41C 33/0281
 2015/0184959 A1 * 7/2015 Parnell F41A 7/00
 89/1.4

OTHER PUBLICATIONS

Cock Bloc Handgun Slide Assist: Gear Review, Range365.com, by Annette Doerr, Sep. 27, 2017, [online], [site visited Jul. 22, 2019]. <URL: <https://www.range365.com/cock-bloc-handgun-slide-assist-review/>> (Year: 2017).*

What is the Cock Bloc?, TheCockBloc.com, [online], [site visited Jul. 22, 2019]. <URL: <https://thecockbloc.com/>> (Year: 2019).*

Slide Rack Assist Device called . . . Cock Bloc, TheFirearmBlog.com, Posted Jun. 9, 2017, [online], [site visited Jul. 22, 2019]. <URL: <https://www.thefirearmblog.com/blog/2017/06/09/slide-rack-assist-device-called-cock-bloc/>> (Year: 2017).*

Rack—it's Belt Clip in Black, Rack-It.org, [online], [site visited Jul. 22, 2019]. <URL: <https://rack-it.org/products/rack-it-belt-clip-in-black>> (Year: 2019).*

* cited by examiner

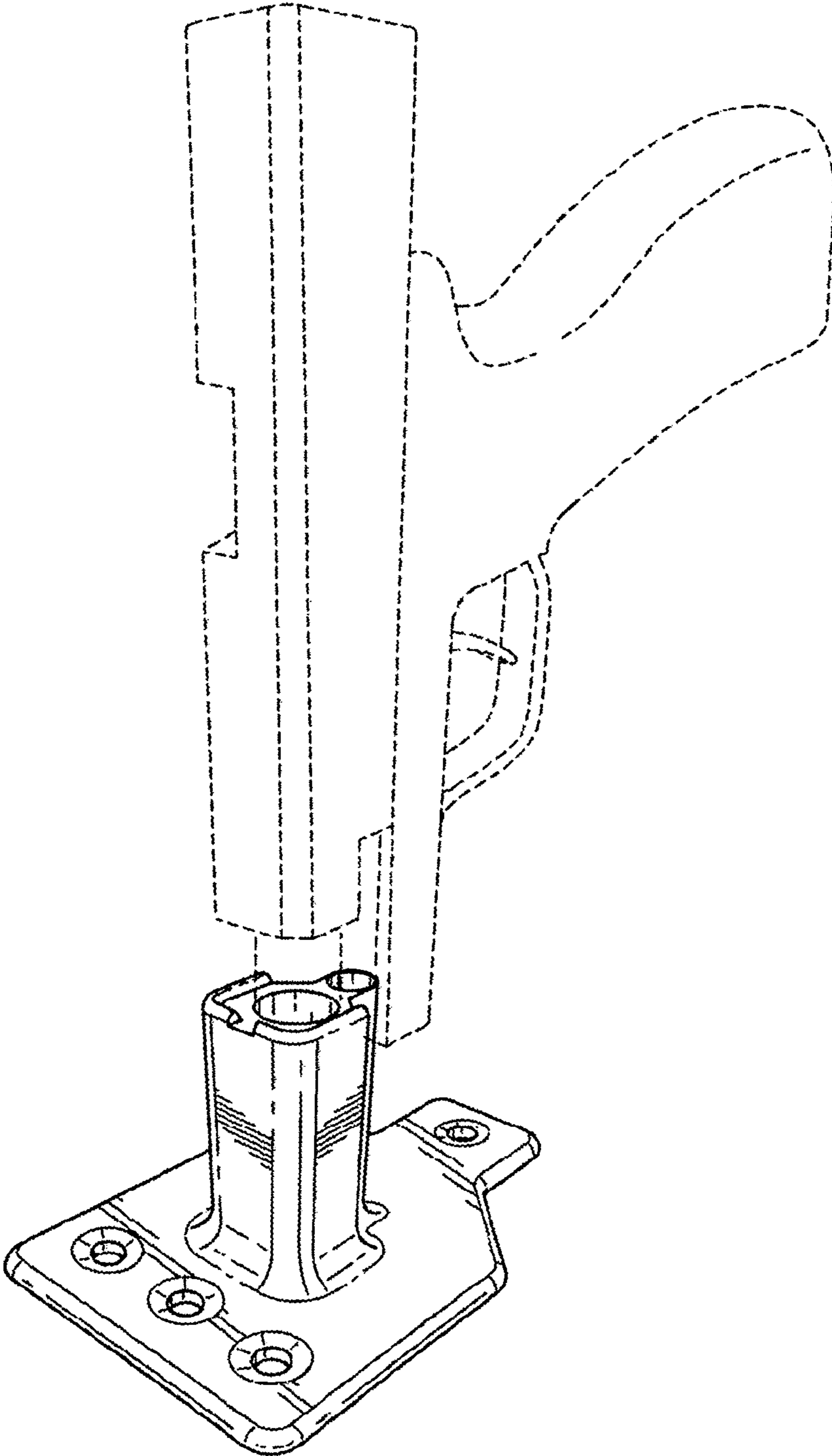


FIG. 1

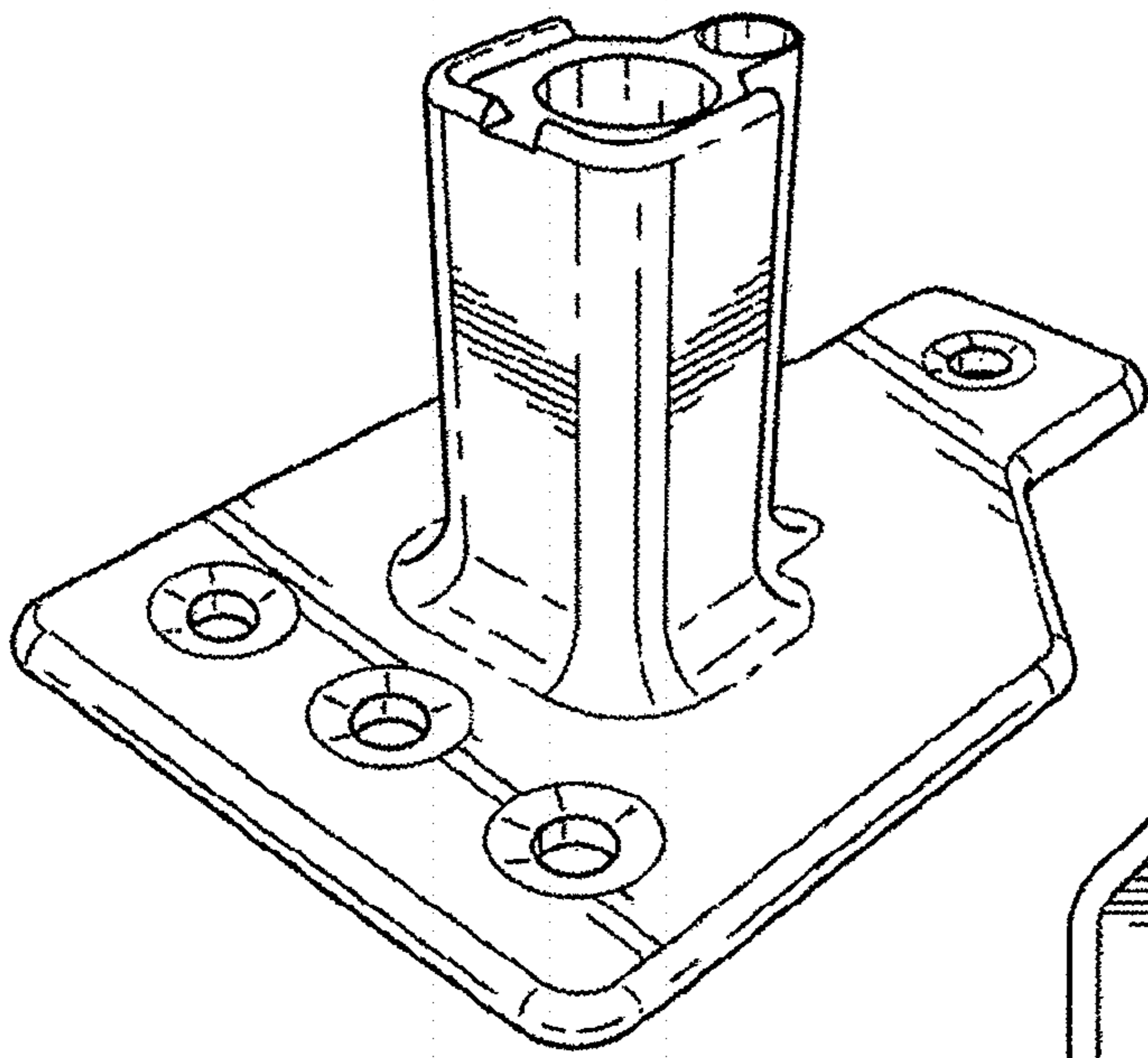


FIG. 2

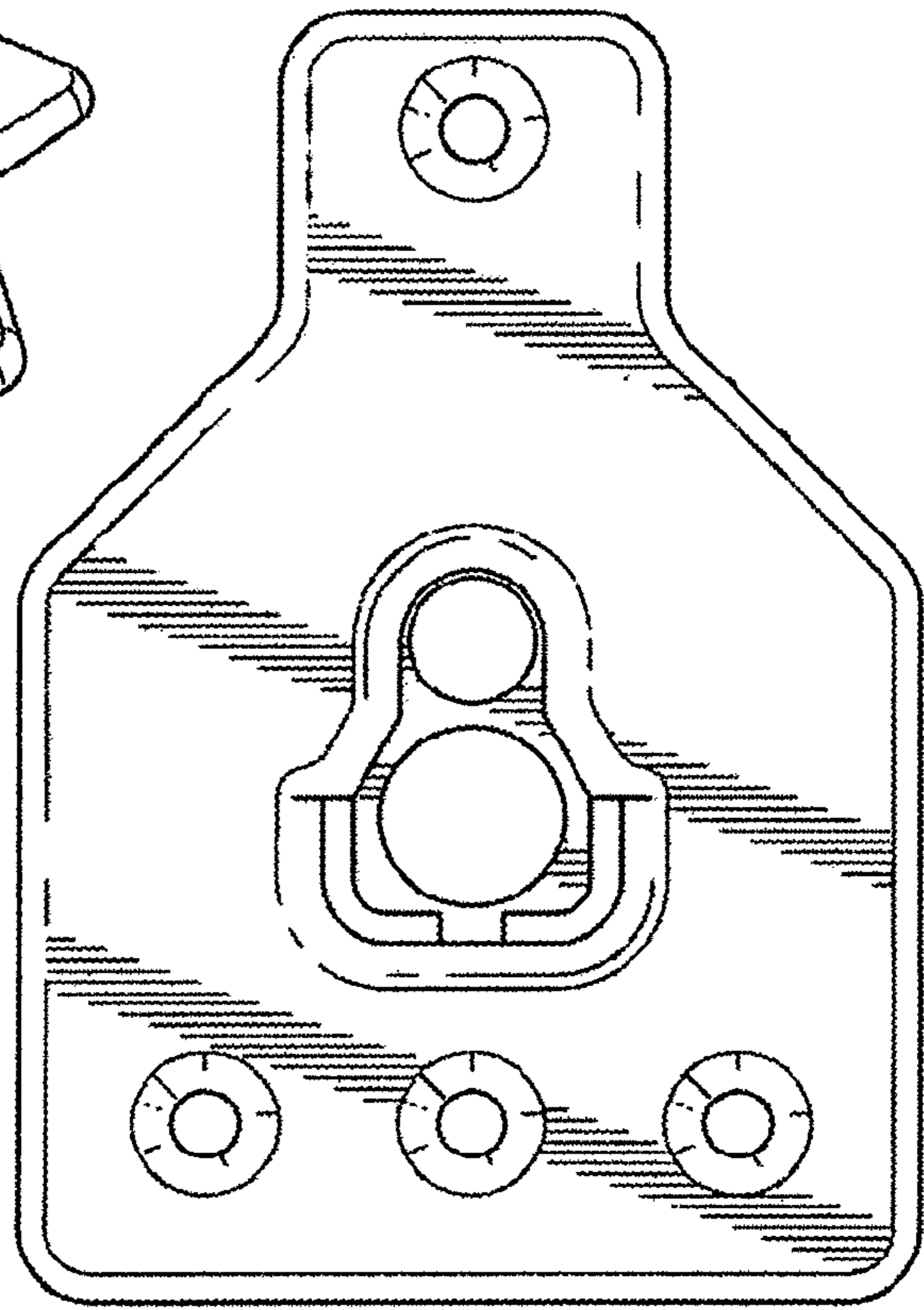


FIG. 3

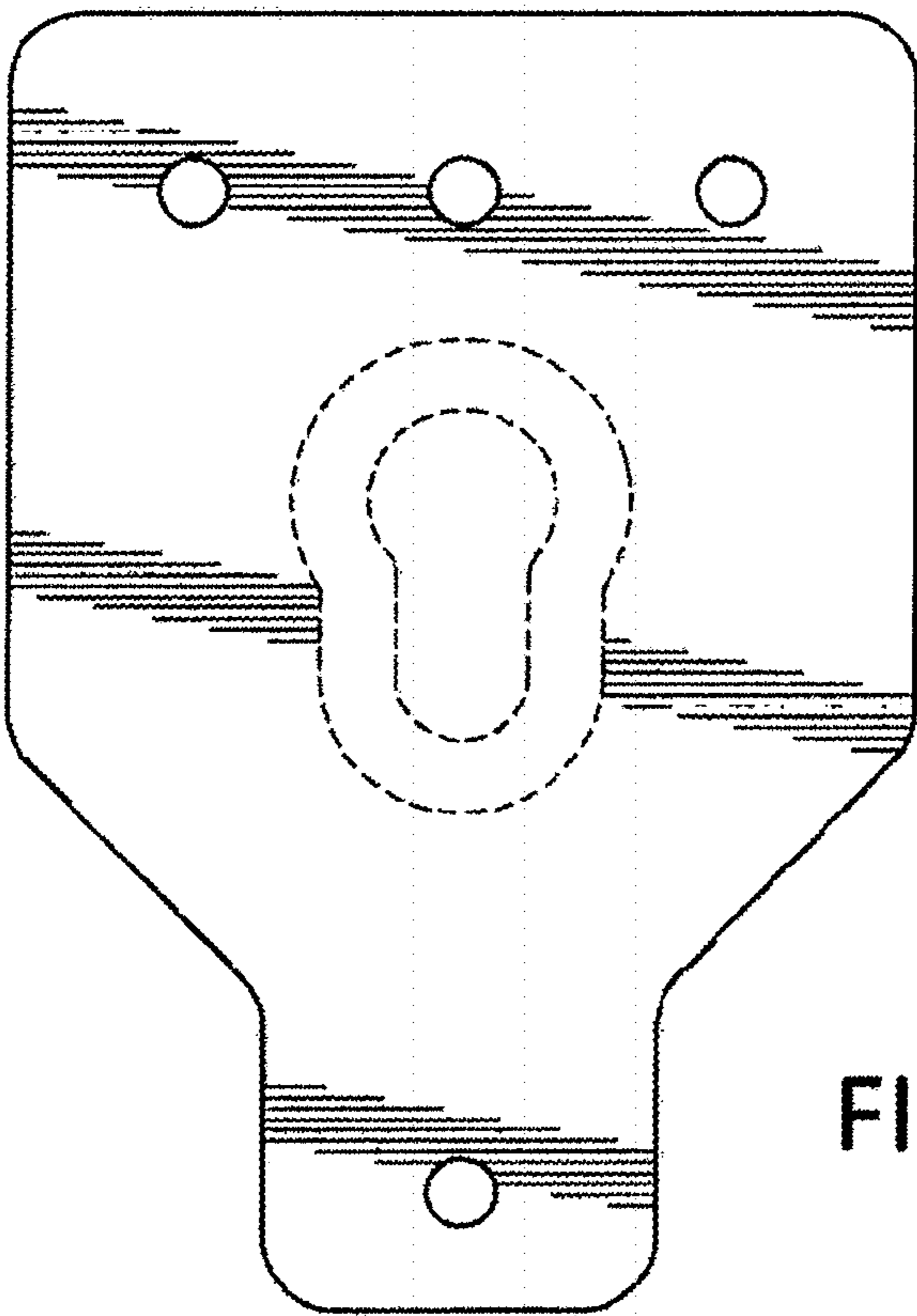


FIG. 4

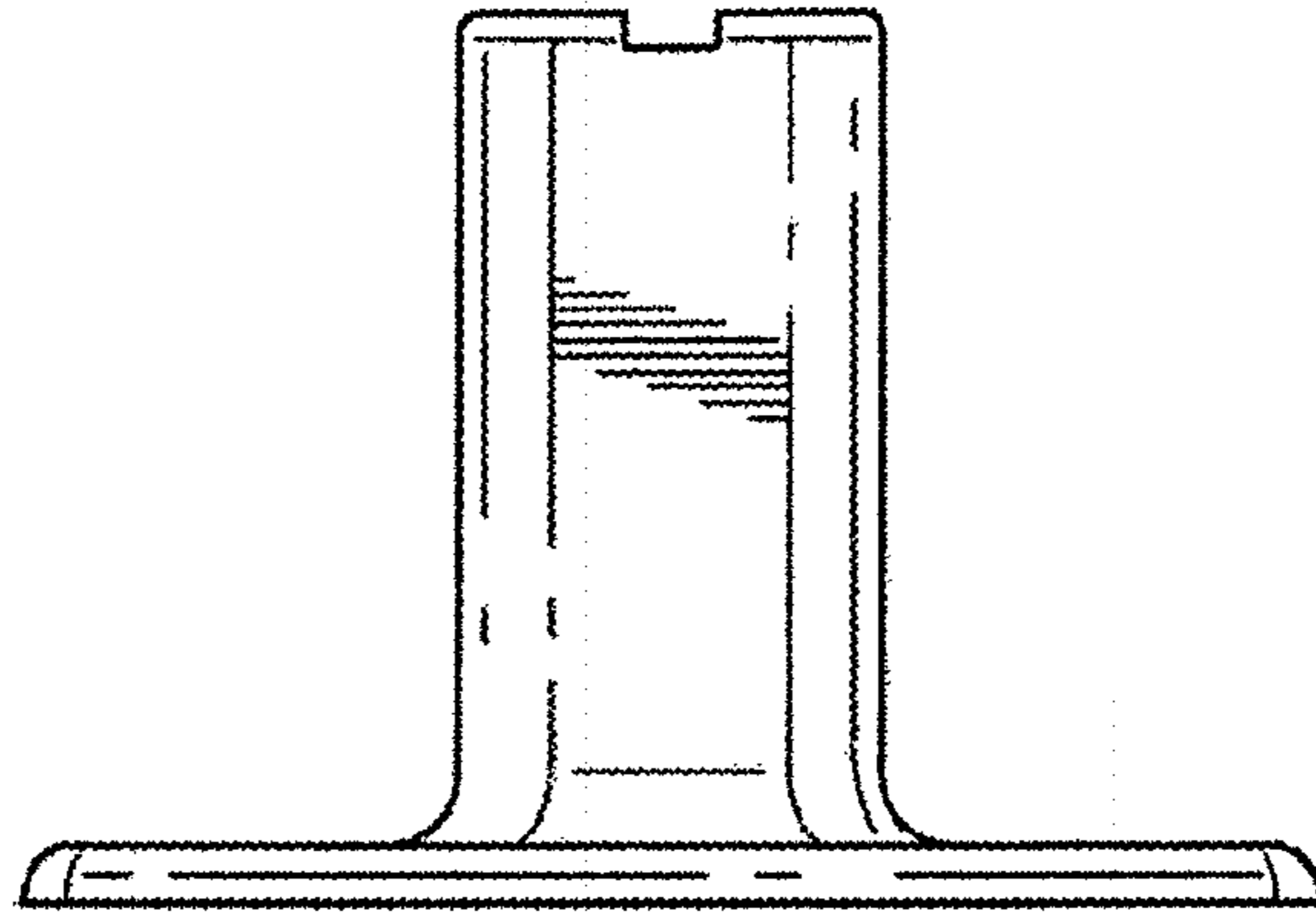


FIG. 5

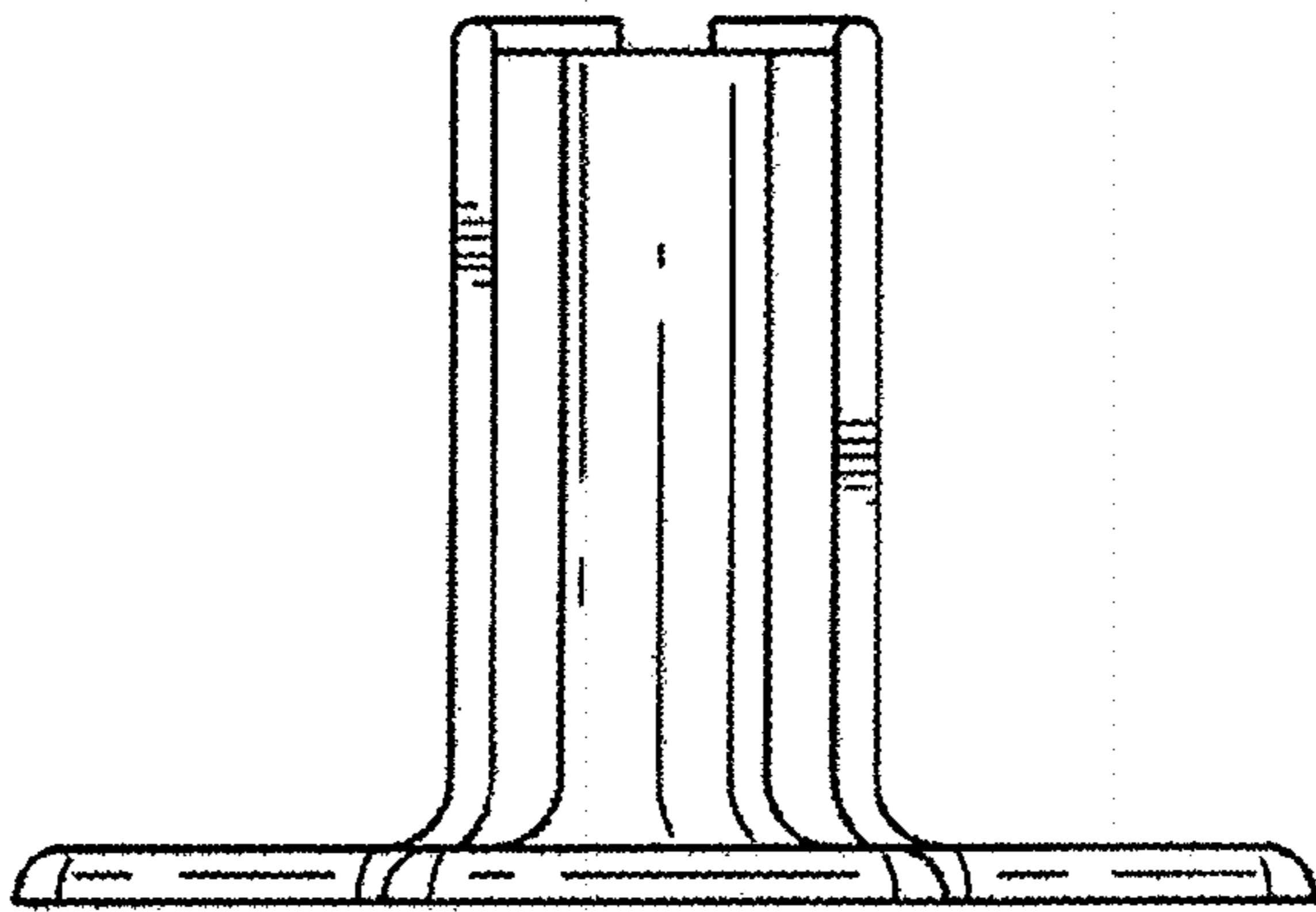


FIG. 6

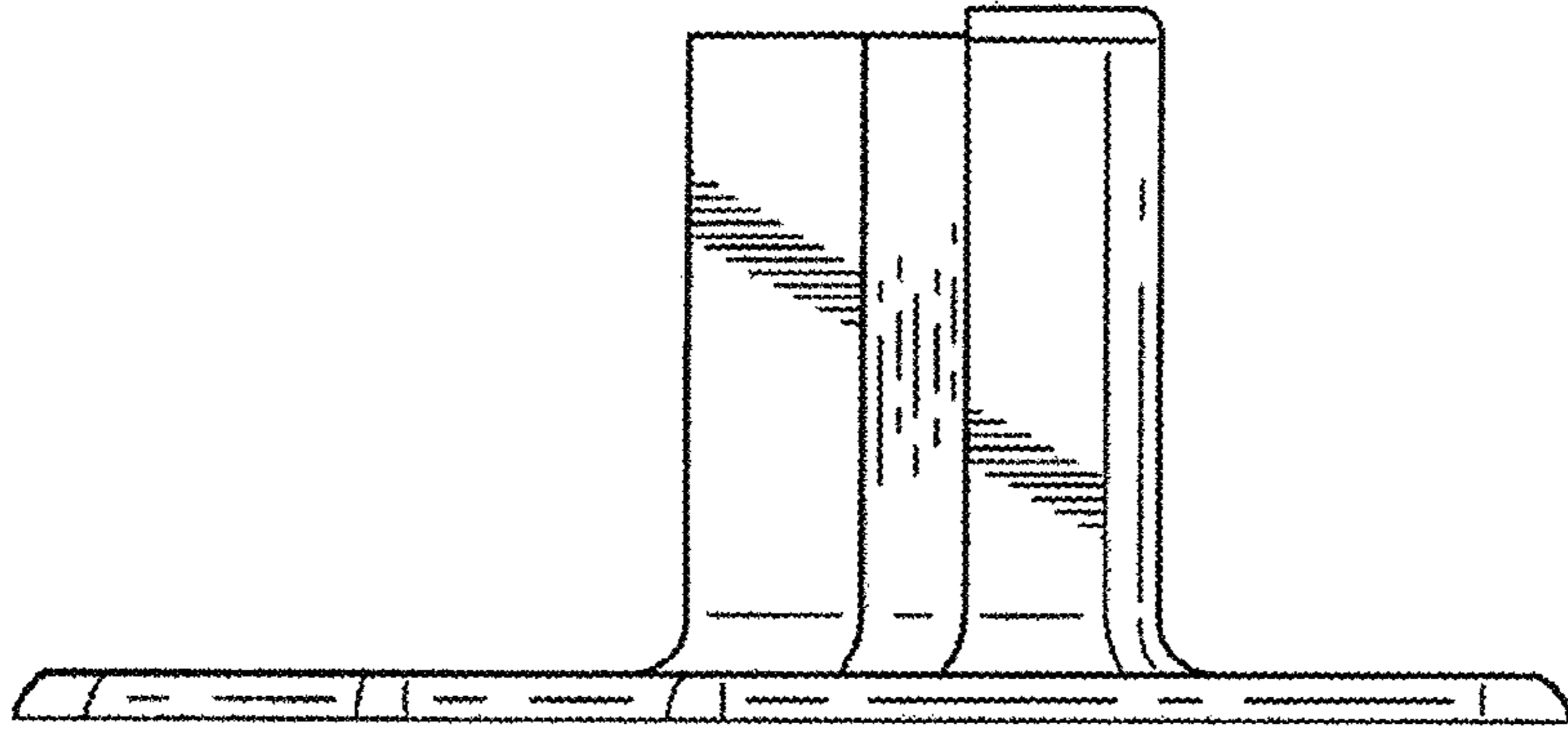


FIG. 7

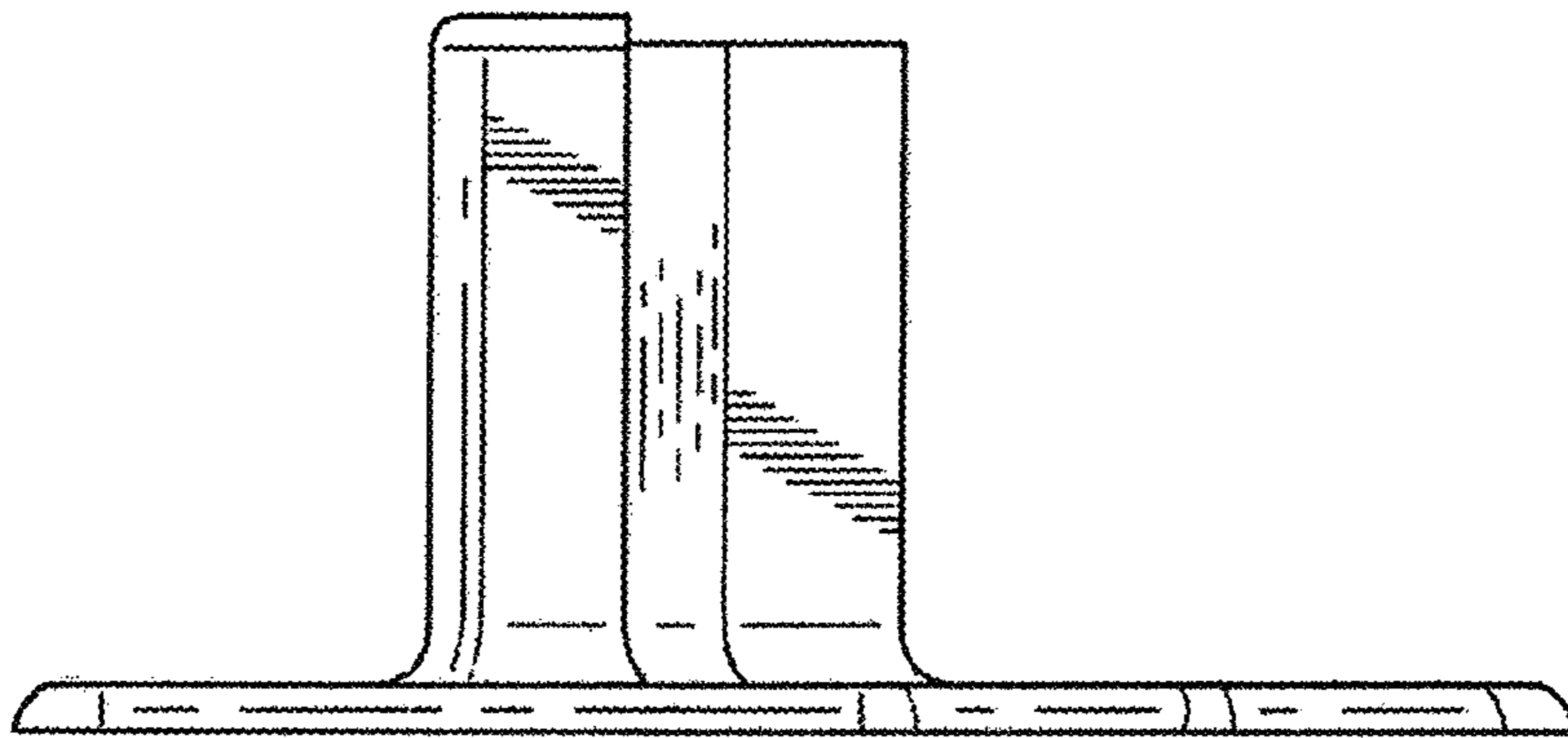


FIG. 8