



US00D896908S

(12) **United States Design Patent**
Chen

(10) **Patent No.:** **US D896,908 S**

(45) **Date of Patent:** **** Sep. 22, 2020**

(54) **TRAMPOLINE ANCHOR**

(71) Applicant: **Samuel Chen**, Causeway Bay (CN)

(72) Inventor: **Samuel Chen**, Causeway Bay (CN)

(**) Term: **15 Years**

(21) Appl. No.: **29/650,849**

(22) Filed: **Jun. 11, 2018**

(51) **LOC (12) Cl.** **21-02**

(52) **U.S. Cl.**
USPC **D21/797**

(58) **Field of Classification Search**
USPC D8/353, 354, 385, 396; D21/685, 686,
D21/639, 796, 694
CPC A63B 21/023
See application file for complete search history.

(56) **References Cited**

U.S. PATENT DOCUMENTS

D87,154 S *	6/1932	Hardy	D21/694
D431,059 S *	9/2000	Webber	D21/680
D438,268 S *	2/2001	Chen	D21/694
6,193,635 B1 *	2/2001	Webber	A63B 21/063 482/138
D462,729 S *	9/2002	Lawson	D21/680
D483,084 S *	12/2003	Gvoich	D21/671
D519,173 S *	4/2006	Nalley	D21/680
8,047,970 B2 *	11/2011	Nalley	A63B 21/0628 482/100
8,088,046 B2 *	1/2012	Flentye	A63B 23/0458 482/52
D658,039 S *	4/2012	Ghatikar	D8/354
D684,034 S *	6/2013	Vaughan	D8/349

D698,400 S *	1/2014	Potts	D21/680
D752,162 S *	3/2016	Adrig	D21/694
D843,537 S *	3/2019	Chen	D21/797

OTHER PUBLICATIONS

“Monxter Titan XT7 Trampoline and Enclosure Combo with Water Anchors” Dec. 3, 2017, youtube.com, site visited Apr. 28, 2020: XXURLXX (Year: 2017).*

* cited by examiner

Primary Examiner — Garth Rademaker

Assistant Examiner — Melvin L Davis

(74) *Attorney, Agent, or Firm* — Clement Cheng

(57) **CLAIM**

The ornamental design for a trampoline anchor, as shown and described.

DESCRIPTION

FIG. 1 is a perspective view.

FIG. 2 is a front view.

FIG. 3 is a rear view.

FIG. 4 is a left view.

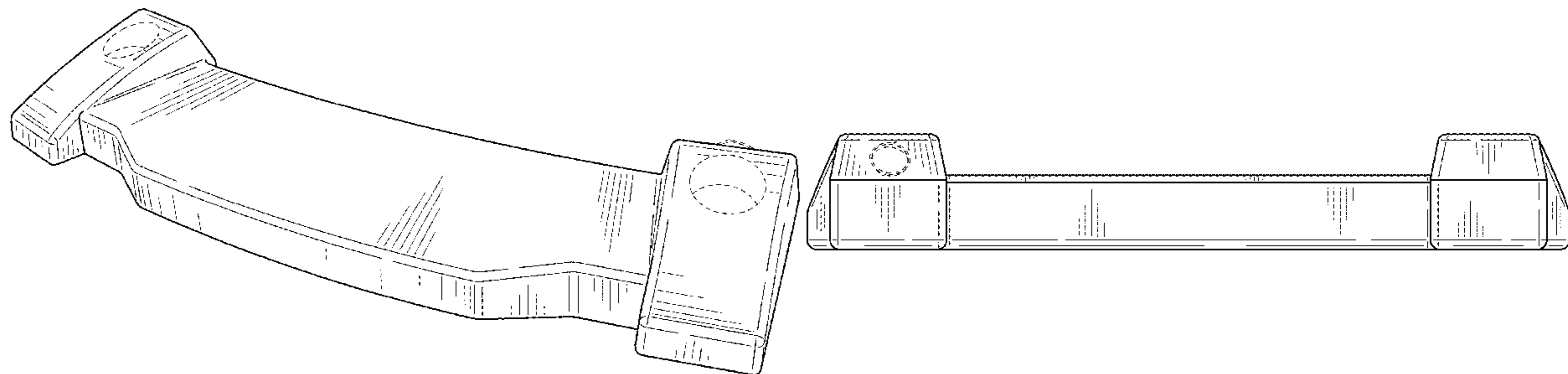
FIG. 5 is a right view.

FIG. 6 is a top view; and,

FIG. 7 is a bottom view.

The broken line disclosure illustrates portions of the trampoline anchor that form no part of the claimed design.

1 Claim, 3 Drawing Sheets



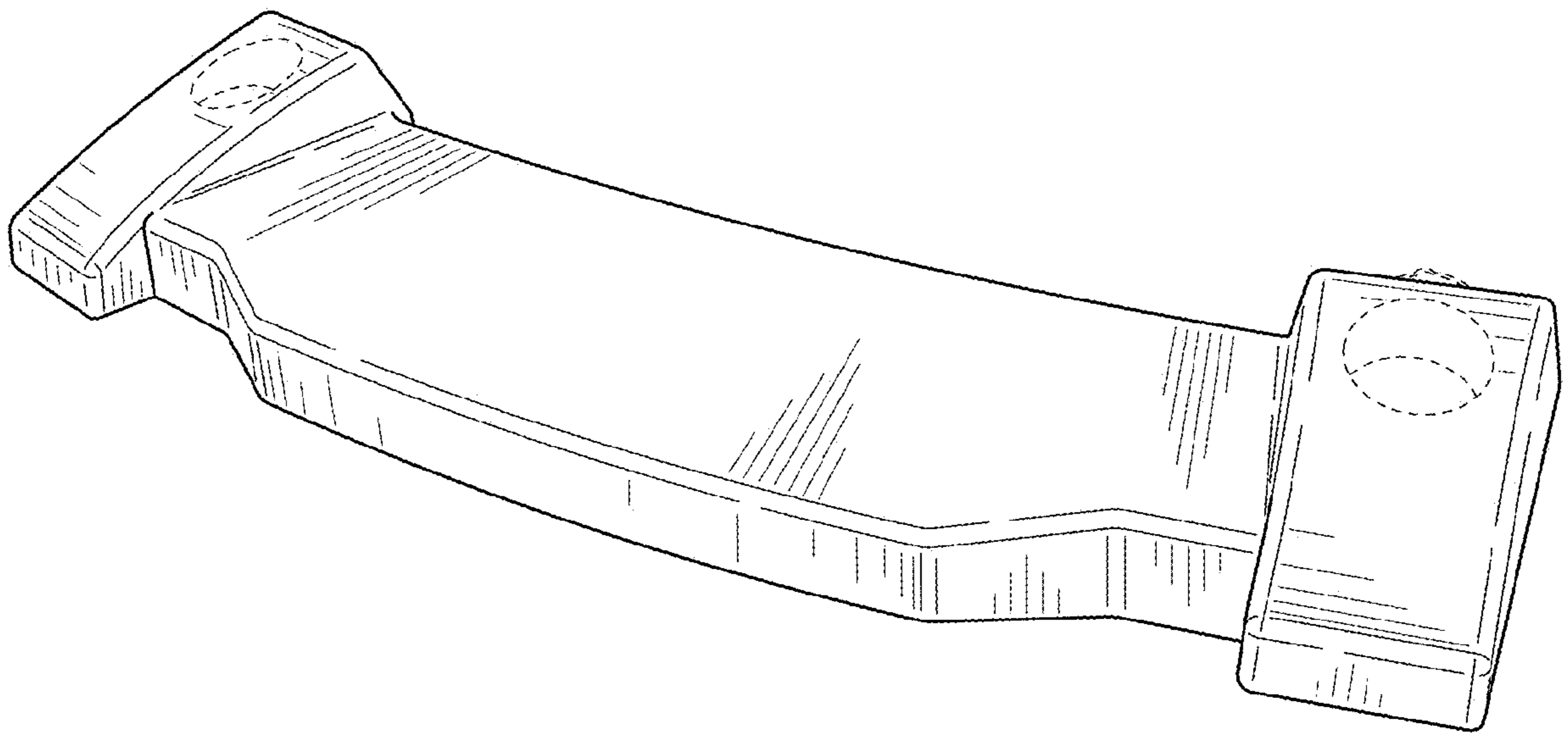


FIG. 1

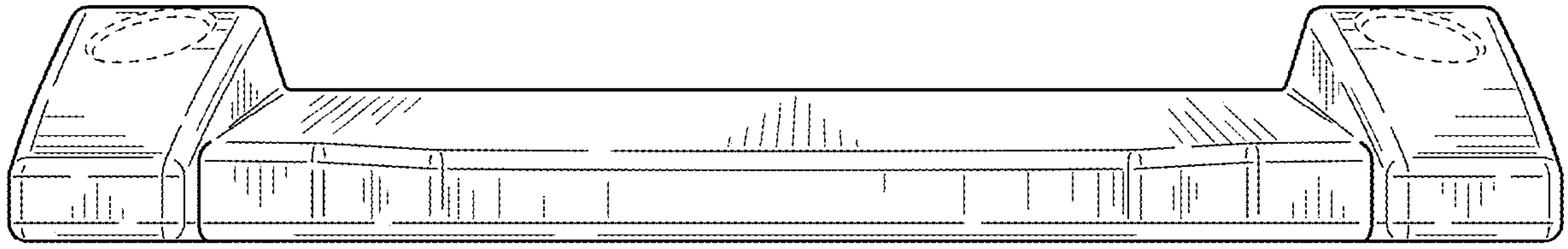


FIG. 2

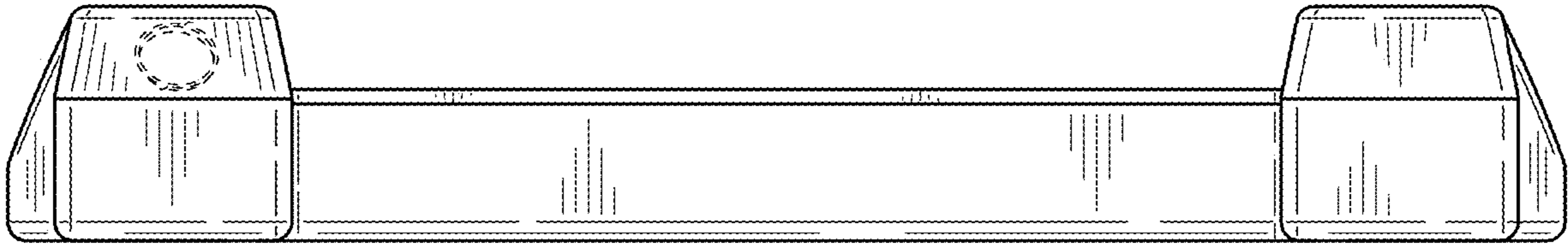


FIG. 3

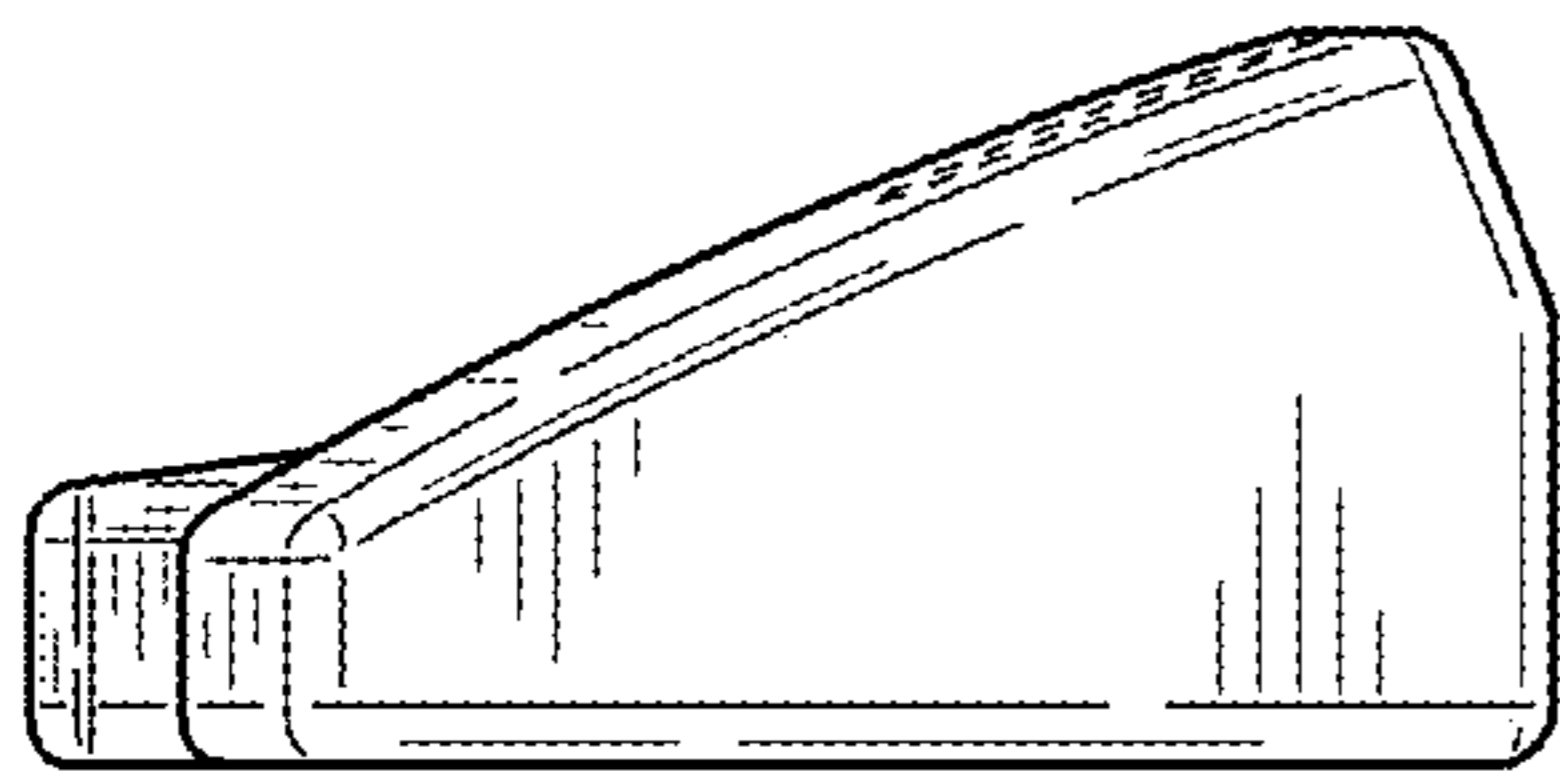


FIG. 4

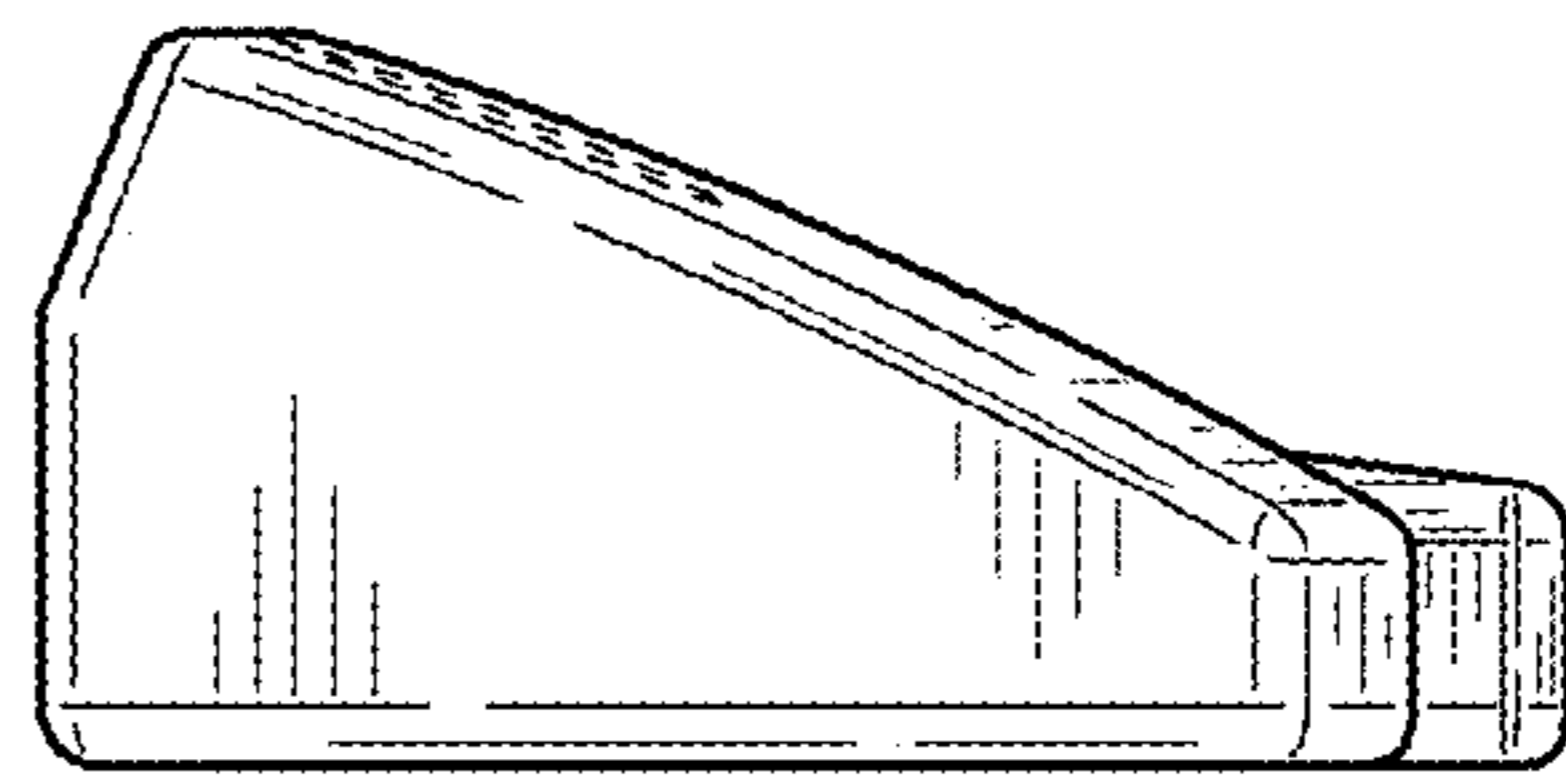


FIG. 5

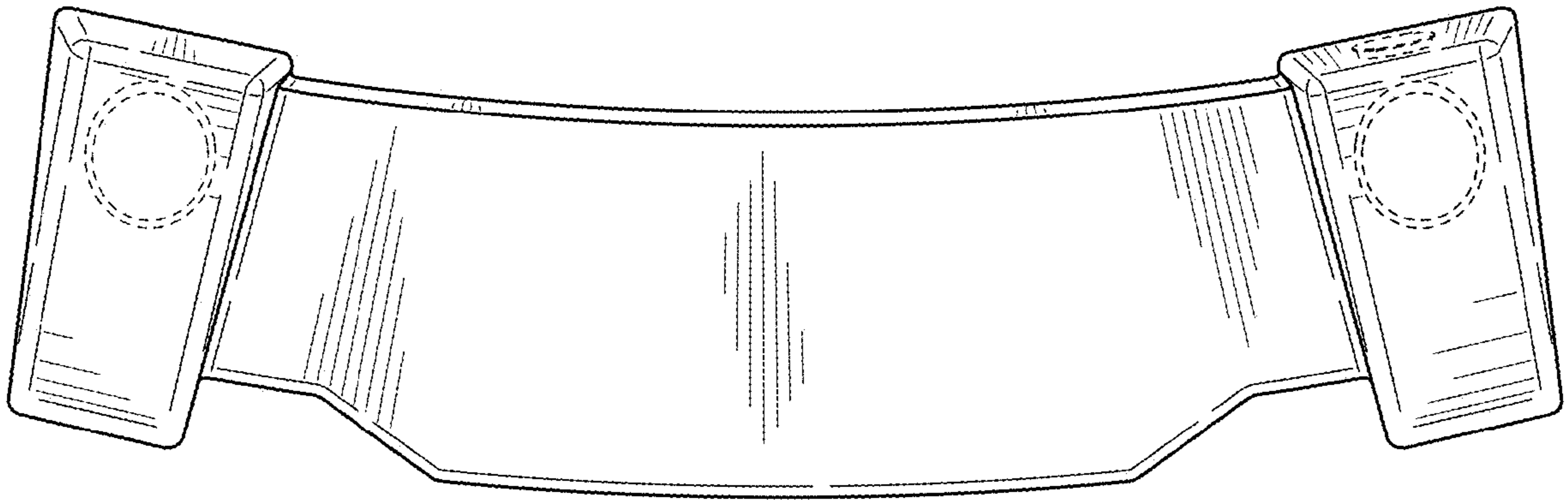


FIG. 6

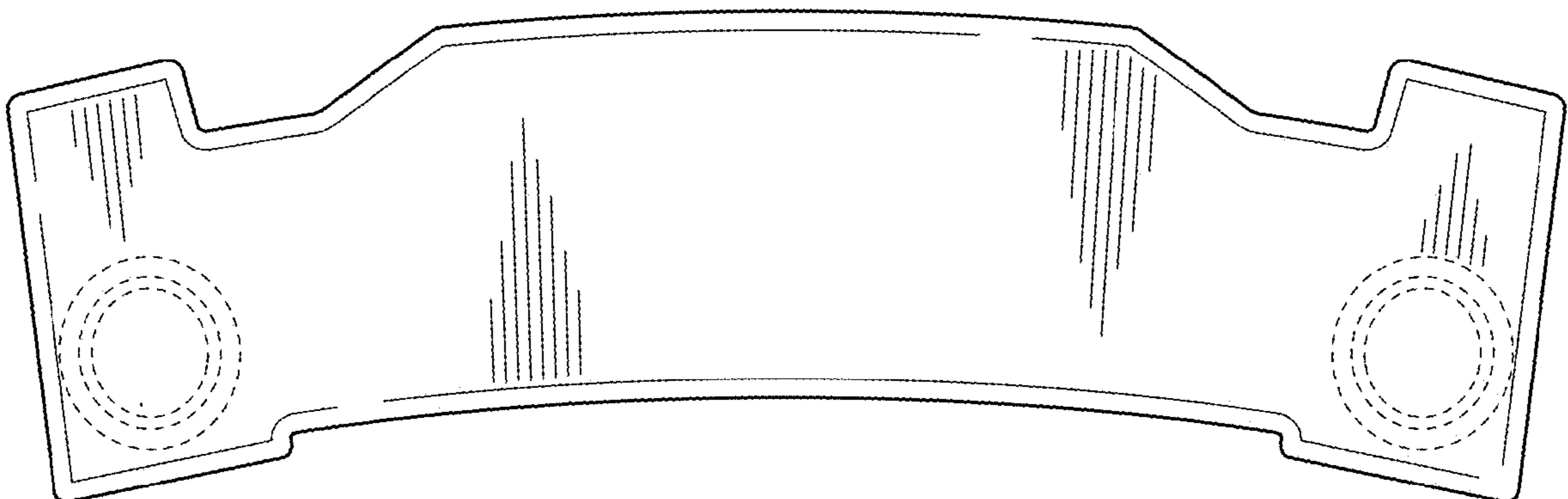


FIG. 7