



US00D896905S

(12) **United States Design Patent** (10) **Patent No.:** **US D896,905 S**
Kim (45) **Date of Patent:** **** Sep. 22, 2020**

(54) **GOLF CLUB HEAD**
(71) Applicant: **Callaway Golf Company**, Carlsbad, CA (US)
(72) Inventor: **Wee Joung Kim**, Vista, CA (US)
(73) Assignee: **Callaway Golf Company**, Carlsbad, CA (US)
(**) Term: **15 Years**
(21) Appl. No.: **29/694,660**
(22) Filed: **Jun. 12, 2019**
(51) **LOC (12) Cl.** **21-02**
(52) **U.S. Cl.**
USPC **D21/747**
(58) **Field of Classification Search**
USPC D21/747-751, 759
CPC A63B 53/00; A63B 53/02; A63B 53/04;
A63B 53/047; A63B 53/0475; A63B
2053/0479; A63B 2053/0483; A63B
2053/0445; A63B 60/00; A63B 60/46
See application file for complete search history.

D516,152 S * 2/2006 Madore D21/759
D516,649 S * 3/2006 Imamoto D21/747
D518,538 S * 4/2006 Ines D21/747
D577,087 S * 9/2008 Roach D21/749
D681,143 S * 4/2013 Nicolette D21/749
D736,873 S * 8/2015 Voshall D21/759
D767,066 S * 9/2016 Asazuma D21/759
D857,821 S * 8/2019 Marukawa D21/747
D859,551 S * 9/2019 Asatsuma D21/759
D861,812 S * 10/2019 Asatsuma D21/759
D884,807 S * 5/2020 Kitching, Jr. D21/747

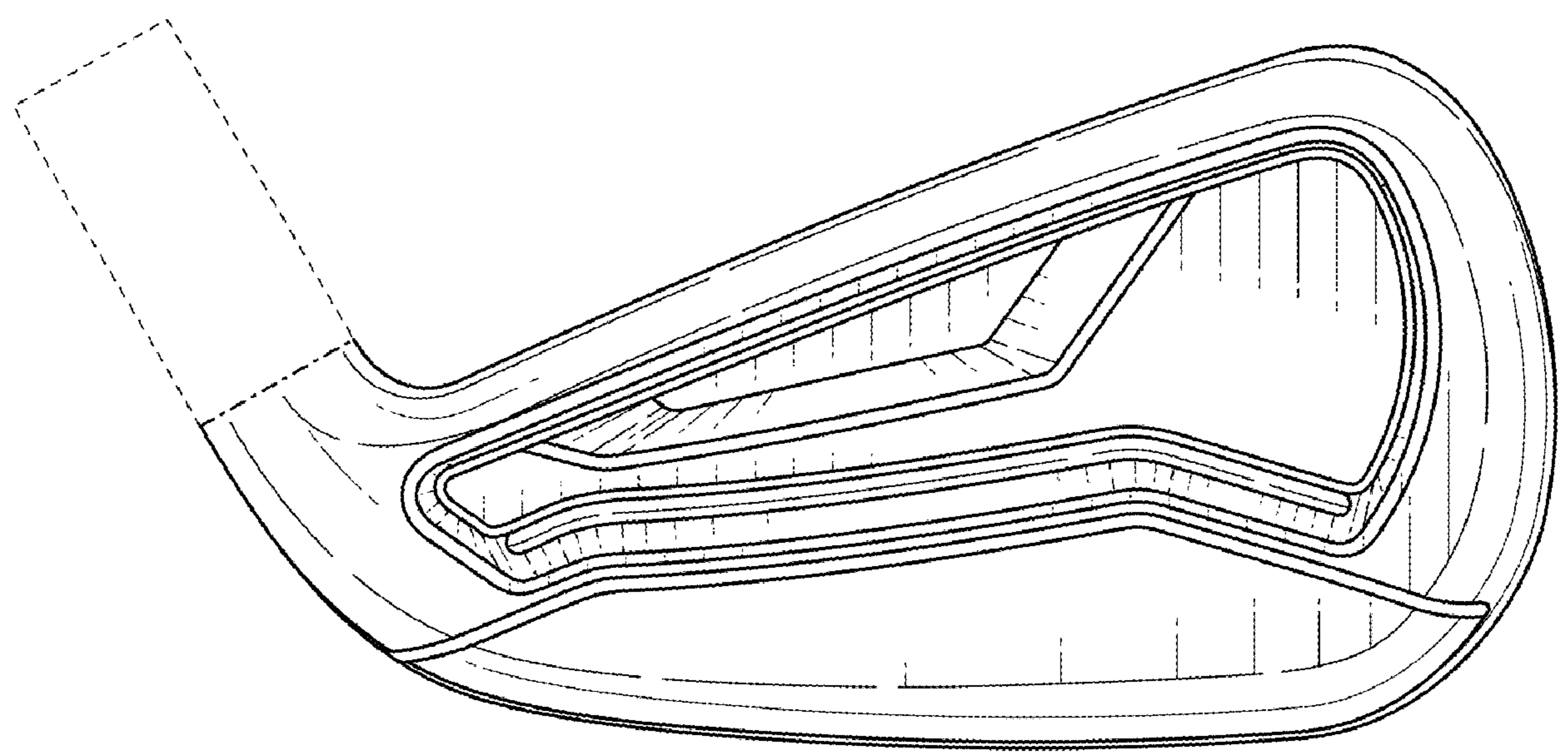
* cited by examiner
Primary Examiner — Mitchell I. Siegel
(74) *Attorney, Agent, or Firm* — Rebecca Hanovice;
Michael Catania; Sonia Lari

(56) **References Cited**
U.S. PATENT DOCUMENTS
D454,606 S * 3/2002 Helmstetter D21/747
D465,253 S * 11/2002 Best D21/759
D475,108 S * 5/2003 Madore D21/759
D487,127 S * 2/2004 Madore D21/747
D511,553 S * 11/2005 Madore D21/759
D512,474 S * 12/2005 Madore D21/759
D512,475 S * 12/2005 Madore D21/759

(57) **CLAIM**
The ornamental design for a golf club head, as shown and described.

DESCRIPTION
FIG. 1 is a rear perspective view of the golf club head claimed herein;
FIG. 2 is a front elevational view thereof;
FIG. 3 is a rear elevational view thereof;
FIG. 4 is a left side elevational view thereof;
FIG. 5 is a right side elevational view thereof;
FIG. 6 is a top plan view thereof; and,
FIG. 7 is a bottom plan view thereof.
The broken lines in the figures show portions of the golf club head that form no part of the claimed design.

1 Claim, 4 Drawing Sheets



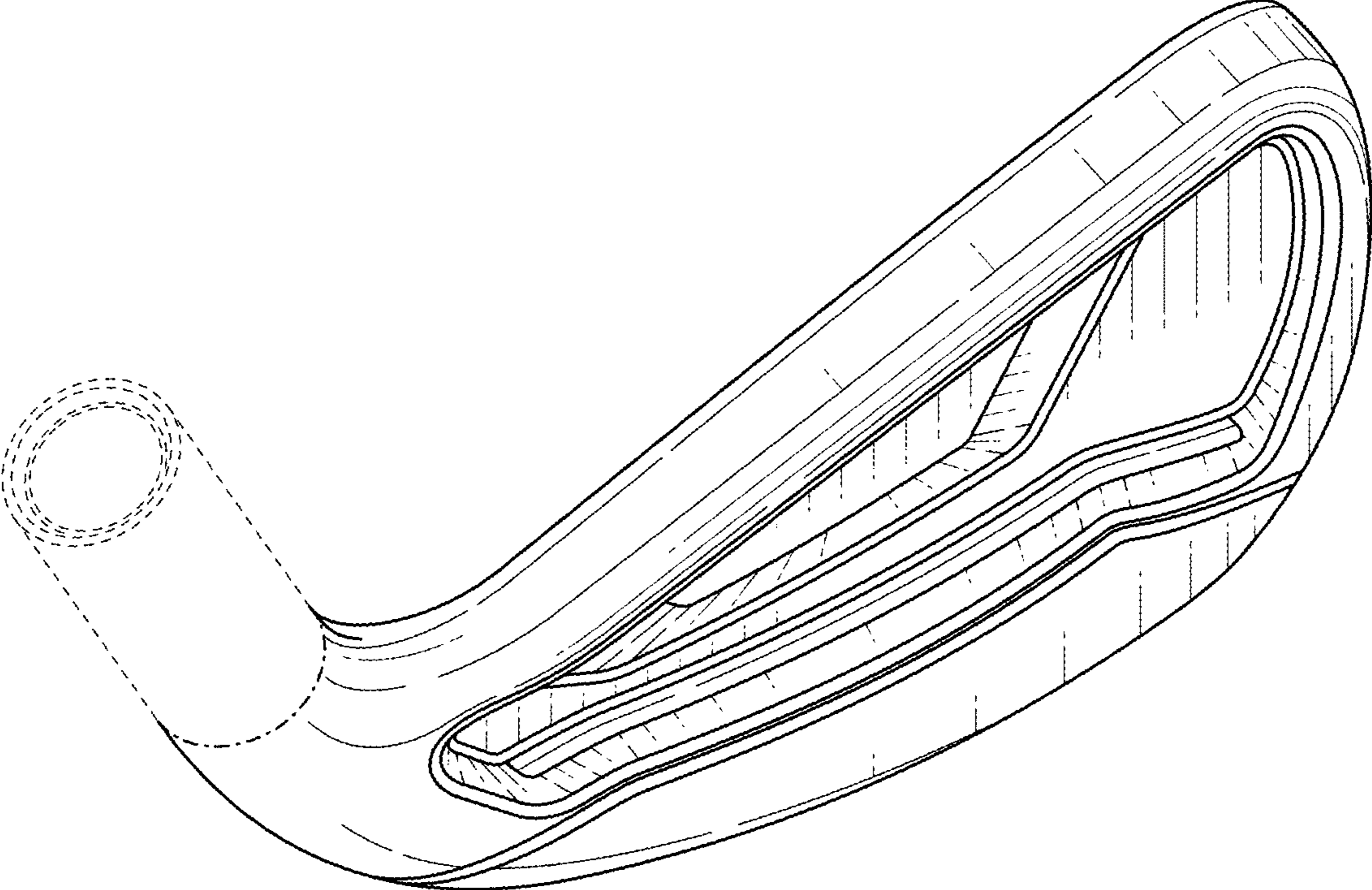


FIG. 1

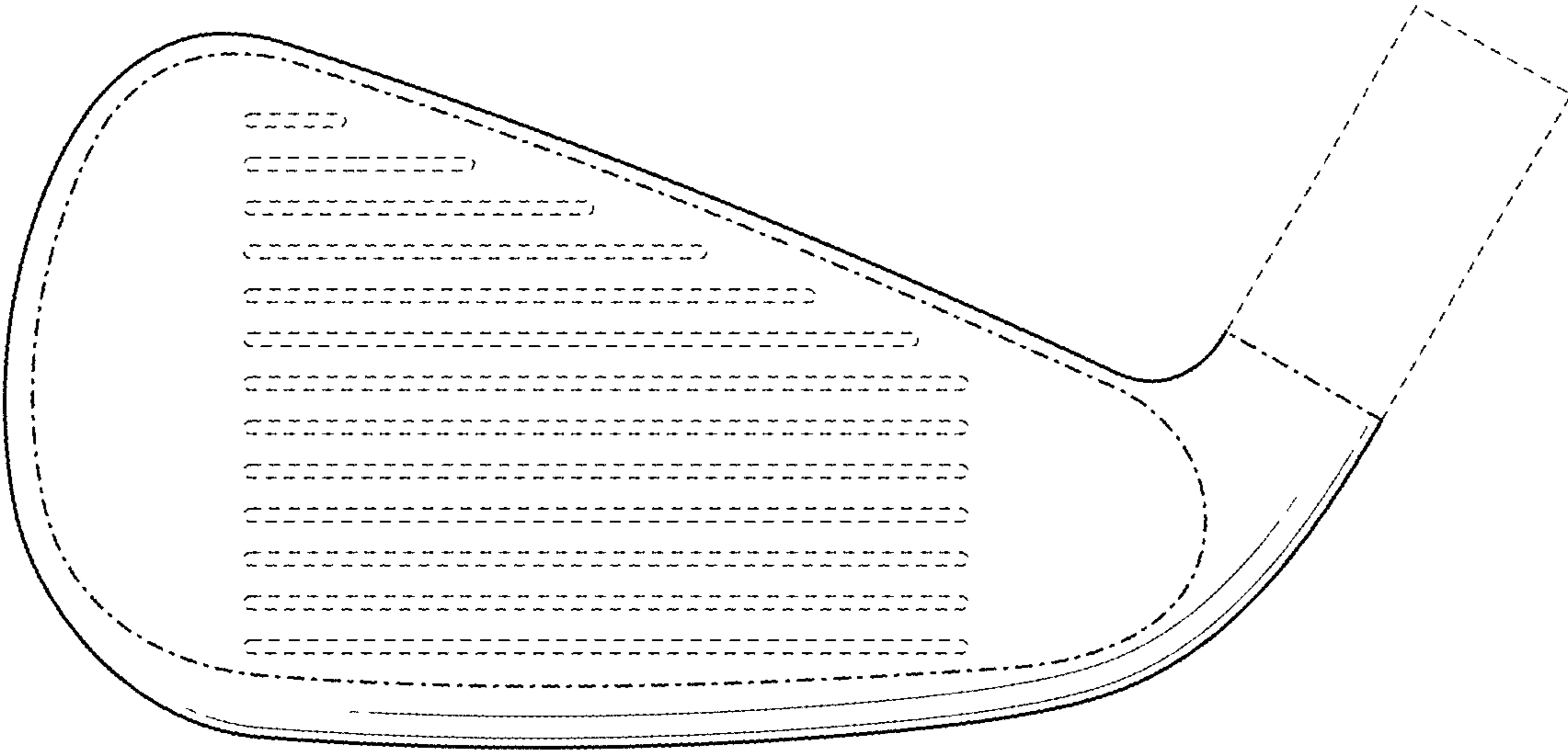


FIG. 2

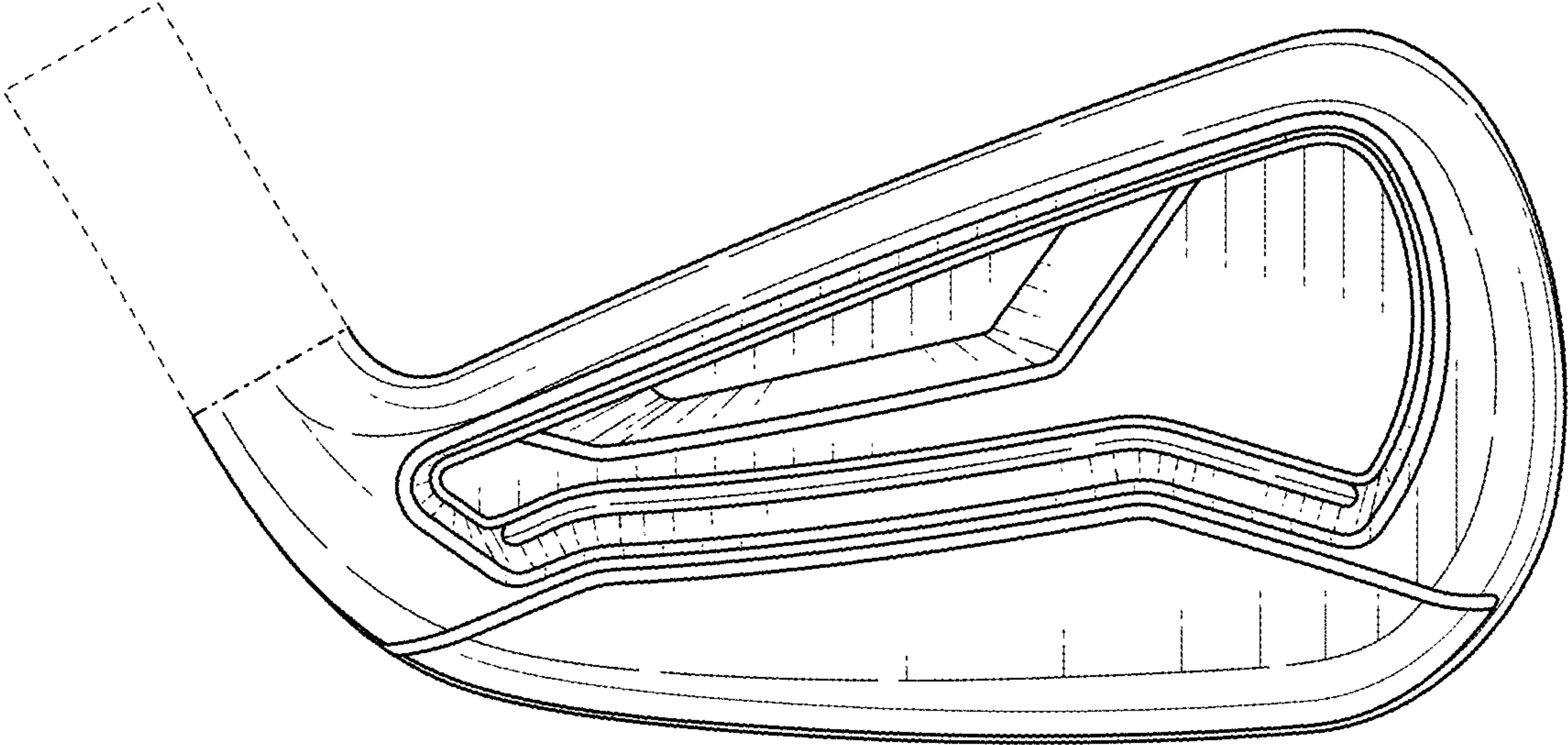


FIG. 3

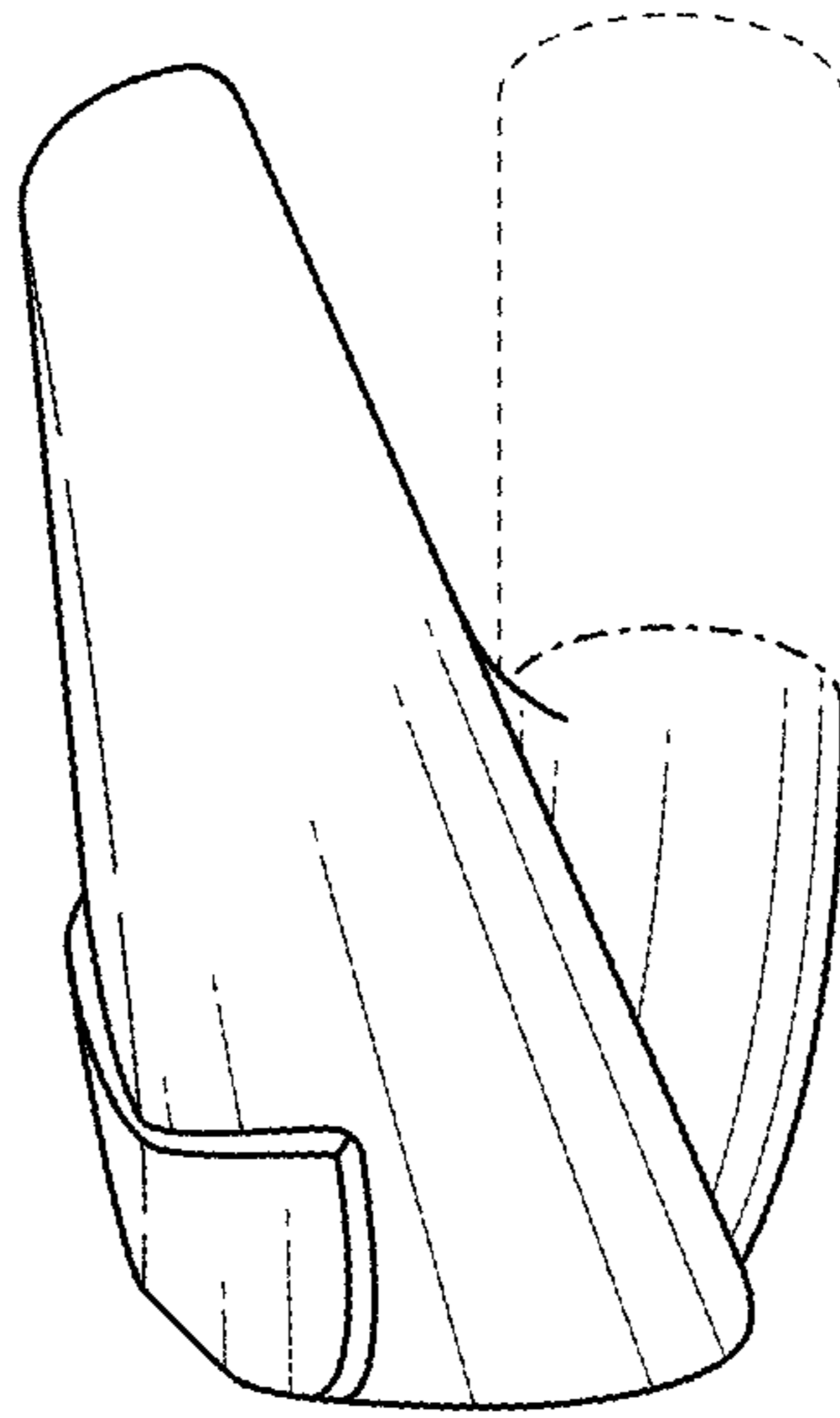


FIG. 4

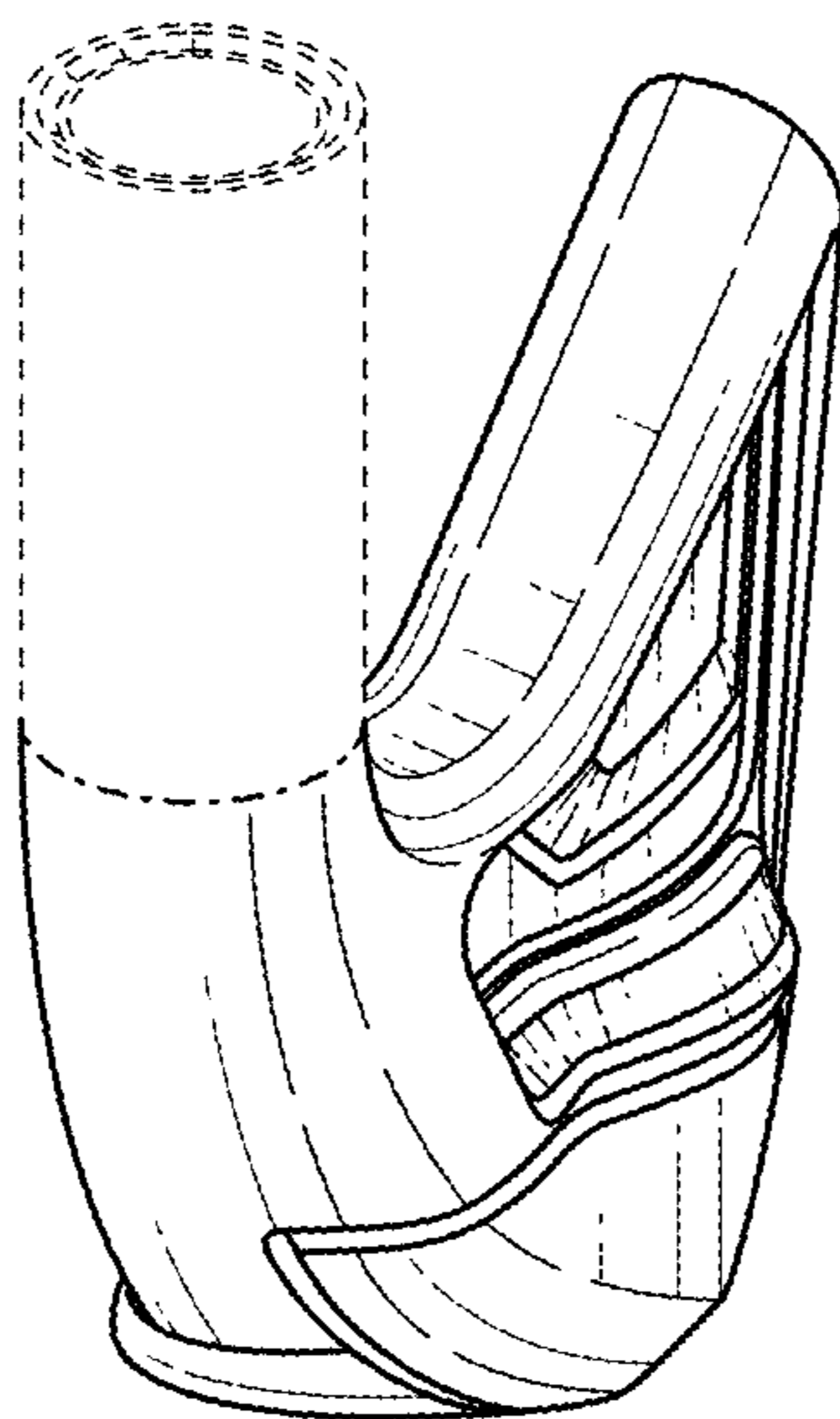


FIG. 5

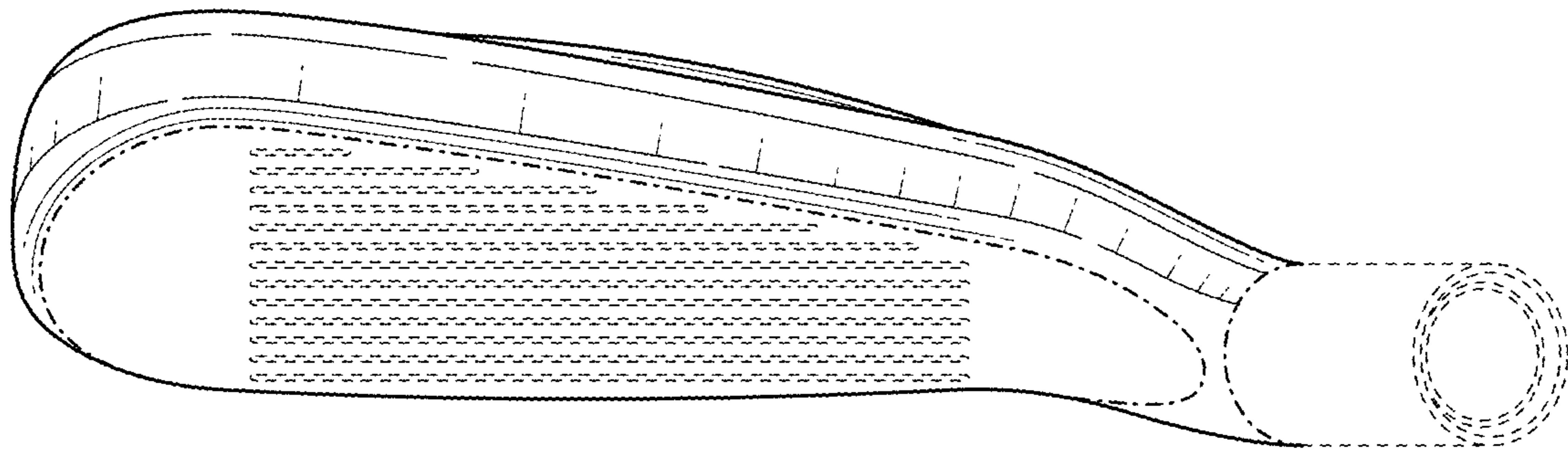


FIG. 6

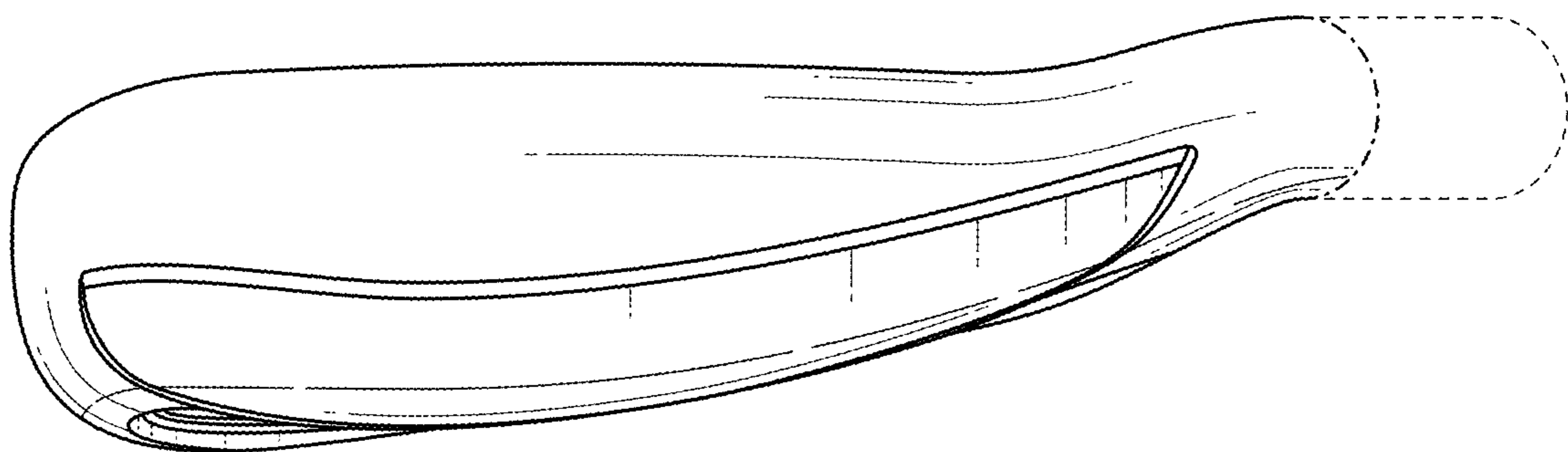


FIG. 7