



US00D896904S

(12) **United States Design Patent**
Chun et al.

(10) **Patent No.:** **US D896,904 S**

(45) **Date of Patent:** **** Sep. 22, 2020**

(54) **IRON GOLF CLUB HEAD**

(71) Applicant: **Acushnet Company**, Fairhaven, MA (US)

(72) Inventors: **Kevin J. Chun**, Encinitas, CA (US);
Joshua G. Breier, Vista, CA (US);
Gentry Ferguson, San Marcos, CA (US)

(73) Assignee: **Acushnet Company**, Fairhaven, MA (US)

(**) Term: **15 Years**

(21) Appl. No.: **29/684,711**

(22) Filed: **Mar. 22, 2019**

(51) **LOC (12) Cl.** **21-02**

(52) **U.S. Cl.**
USPC **D21/747**

(58) **Field of Classification Search**
USPC D21/747-751, 759
CPC A63B 53/00; A63B 53/02; A63B 53/04;
A63B 53/047; A63B 53/0475; A63B
2053/0479; A63B 2053/0483; A63B
2053/0445; A63B 60/00; A63B 60/46
See application file for complete search history.

(56) **References Cited**

U.S. PATENT DOCUMENTS

D332,984 S * 2/1993 Inuma D21/750
D339,397 S * 9/1993 Inuma D21/750
D585,100 S * 1/2009 Foster D21/747
D681,142 S * 4/2013 Fossum D21/747

D684,644 S * 6/2013 Cleveland D21/747
D763,375 S * 8/2016 Chun D21/747
D765,803 S * 9/2016 Oliveiro D21/747
D777,853 S * 1/2017 Wang D21/747
D797,224 S * 9/2017 Oliveiro D21/747
D823,957 S * 7/2018 Becktor D21/747
D823,963 S * 7/2018 Seagram D21/759
D827,744 S * 9/2018 Wang D21/747
D832,952 S * 11/2018 Milleman D21/747
D835,735 S * 12/2018 Chun D21/747
D842,402 S * 3/2019 Lytle D21/747
D845,412 S * 4/2019 Boggs D21/747
D858,667 S * 9/2019 Marukawa D21/747
D864,328 S * 10/2019 Becktor D21/759

* cited by examiner

Primary Examiner — Mitchell I. Siegel

(74) *Attorney, Agent, or Firm* — Randy K. Chang

(57) **CLAIM**

The ornamental design for iron golf club head, as shown and described.

DESCRIPTION

FIG. 1 is a perspective back view of an iron golf club head showing my design;
FIG. 2 is a front elevation view thereof;
FIG. 3 is a heel end view thereof;
FIG. 4 is a toe end view thereof;
FIG. 5 is a top plan view thereof;
FIG. 6 is a rear elevational view thereof; and,
FIG. 7 is a bottom plan view thereof.
The broken lines in the figures are used to illustrate the unclaimed portions of the invention and form no part of the claimed design.

1 Claim, 2 Drawing Sheets

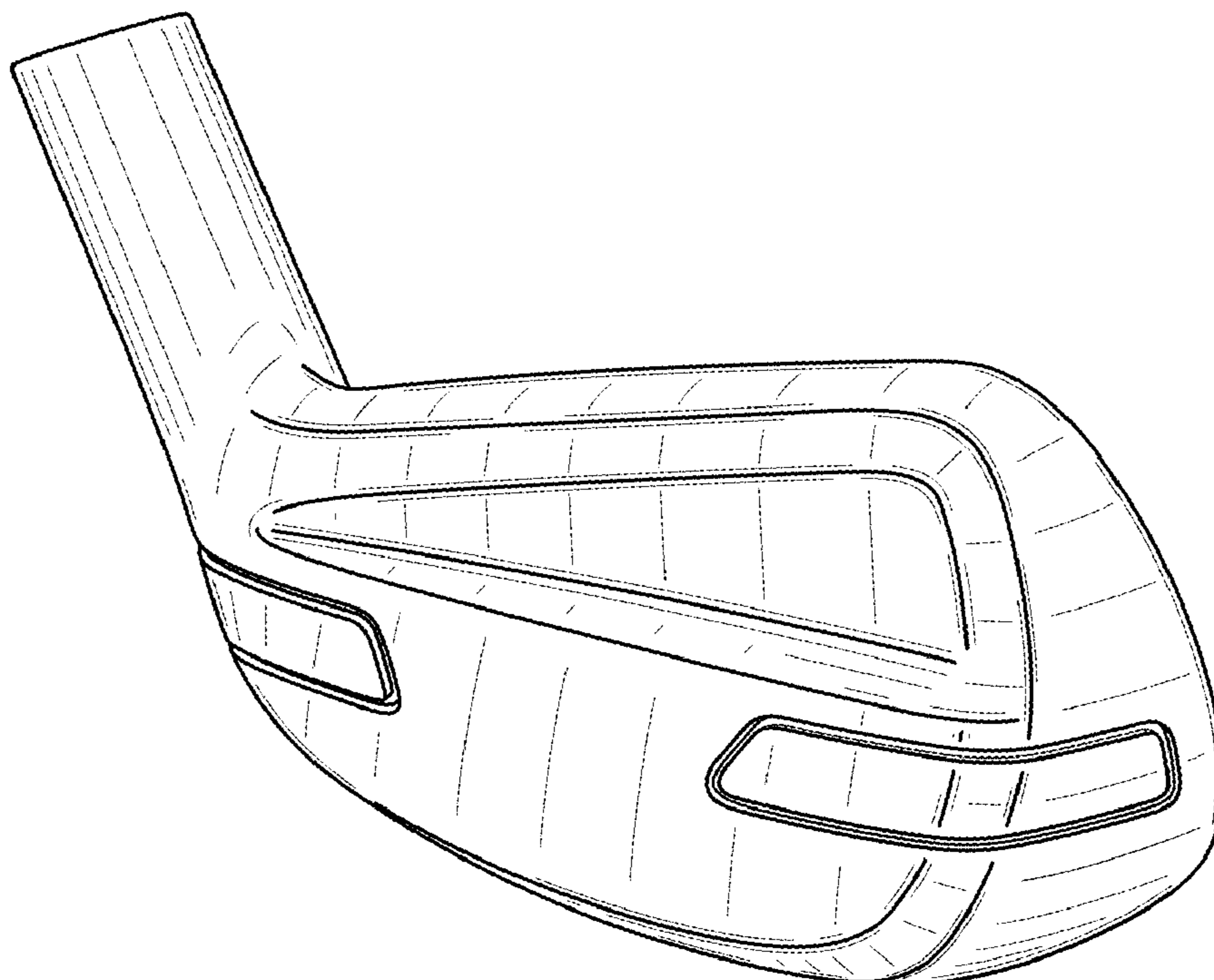


FIG. 1

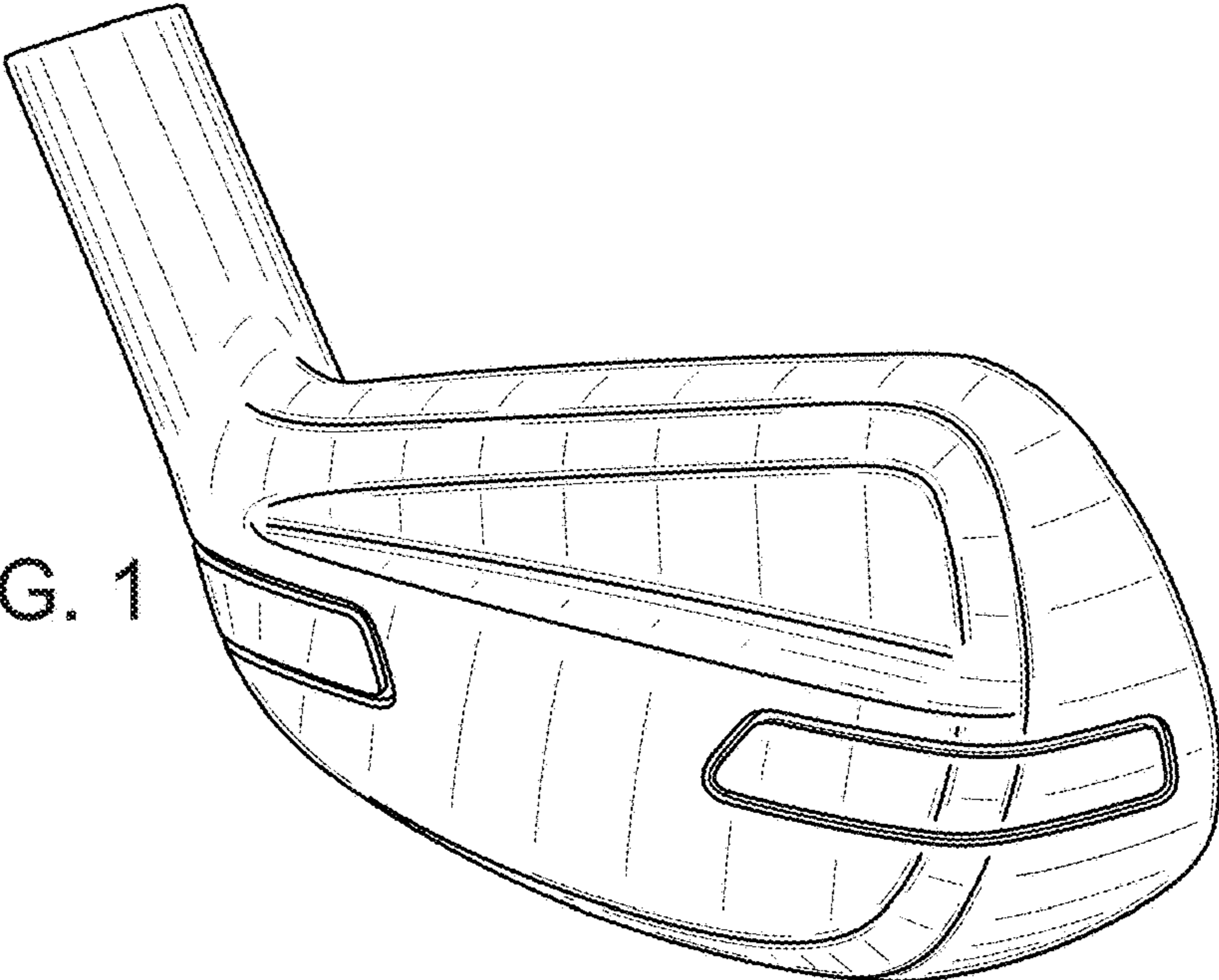


FIG. 2

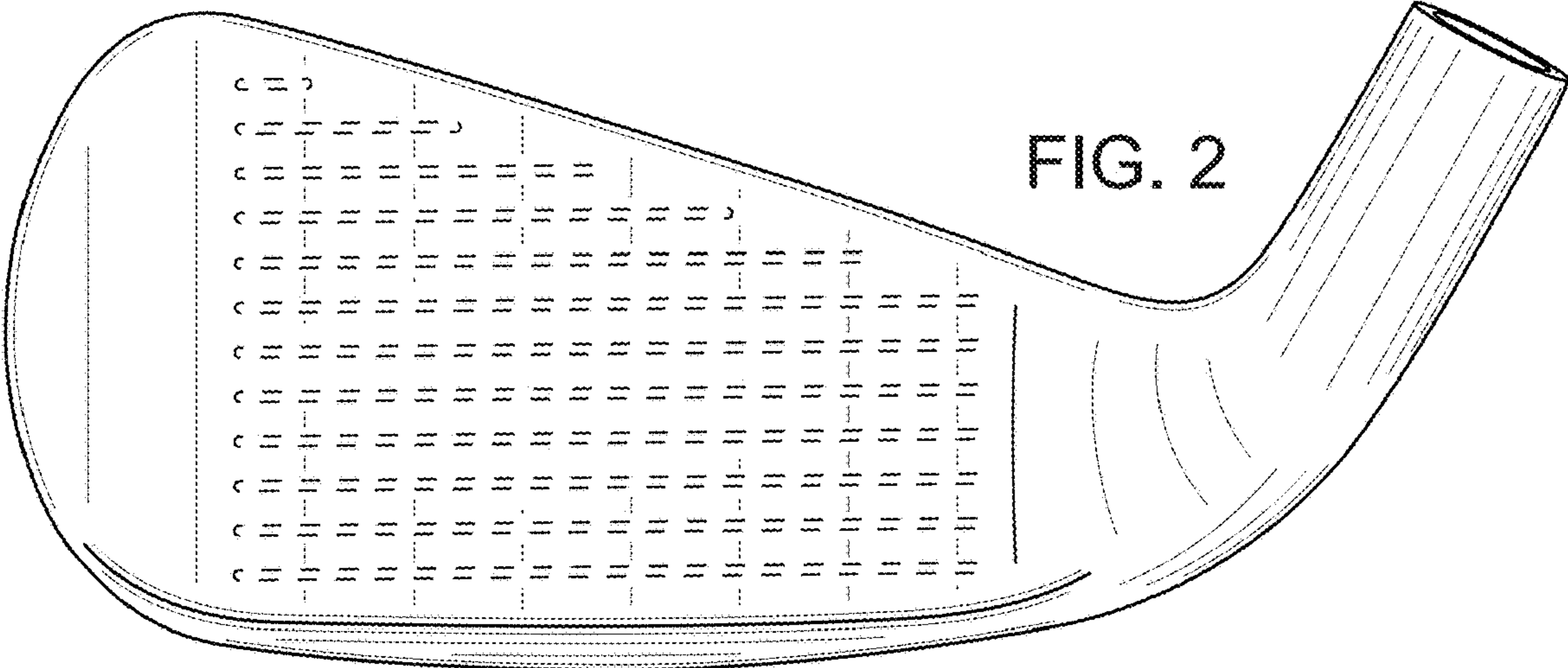


FIG. 3

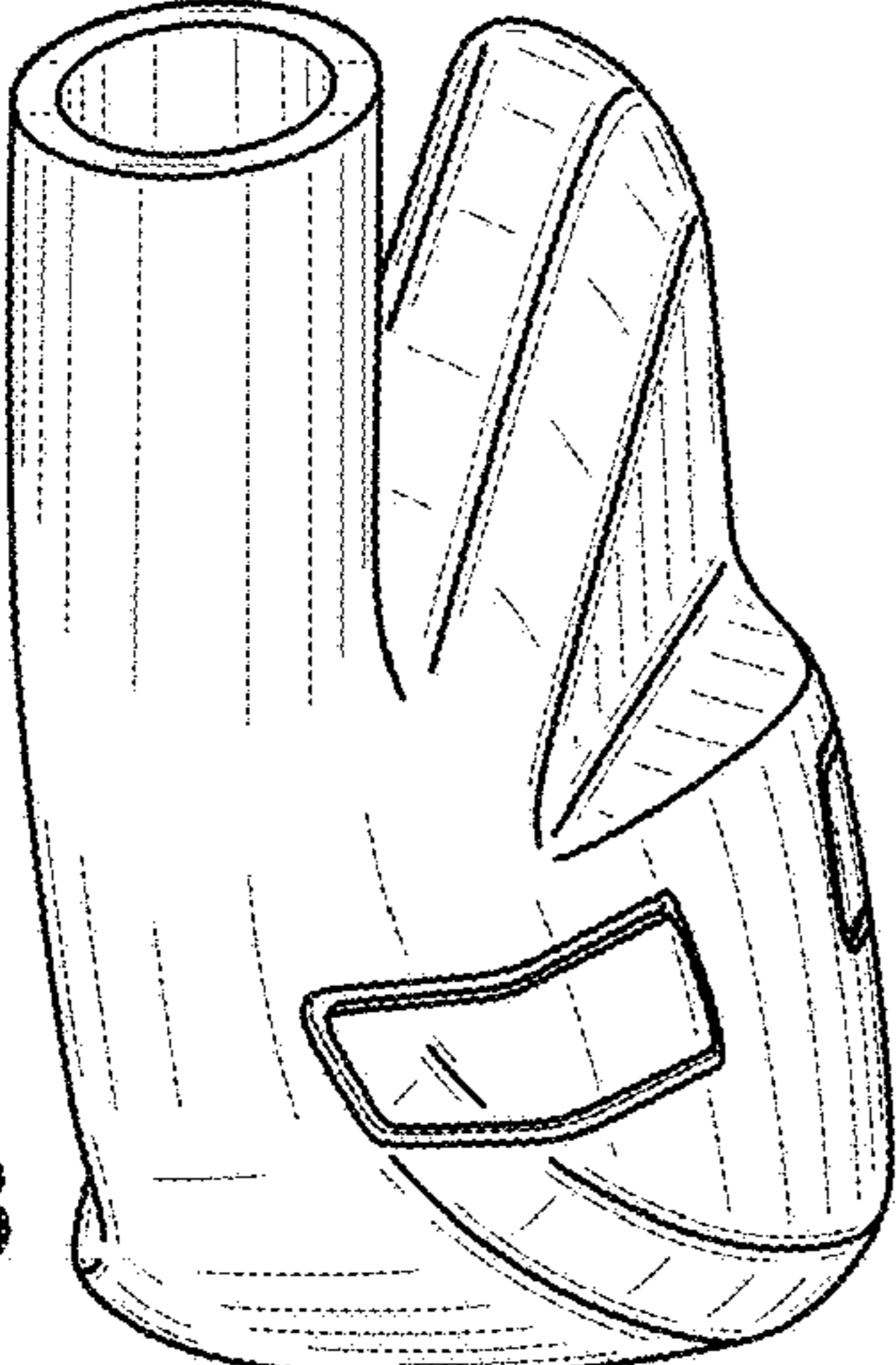
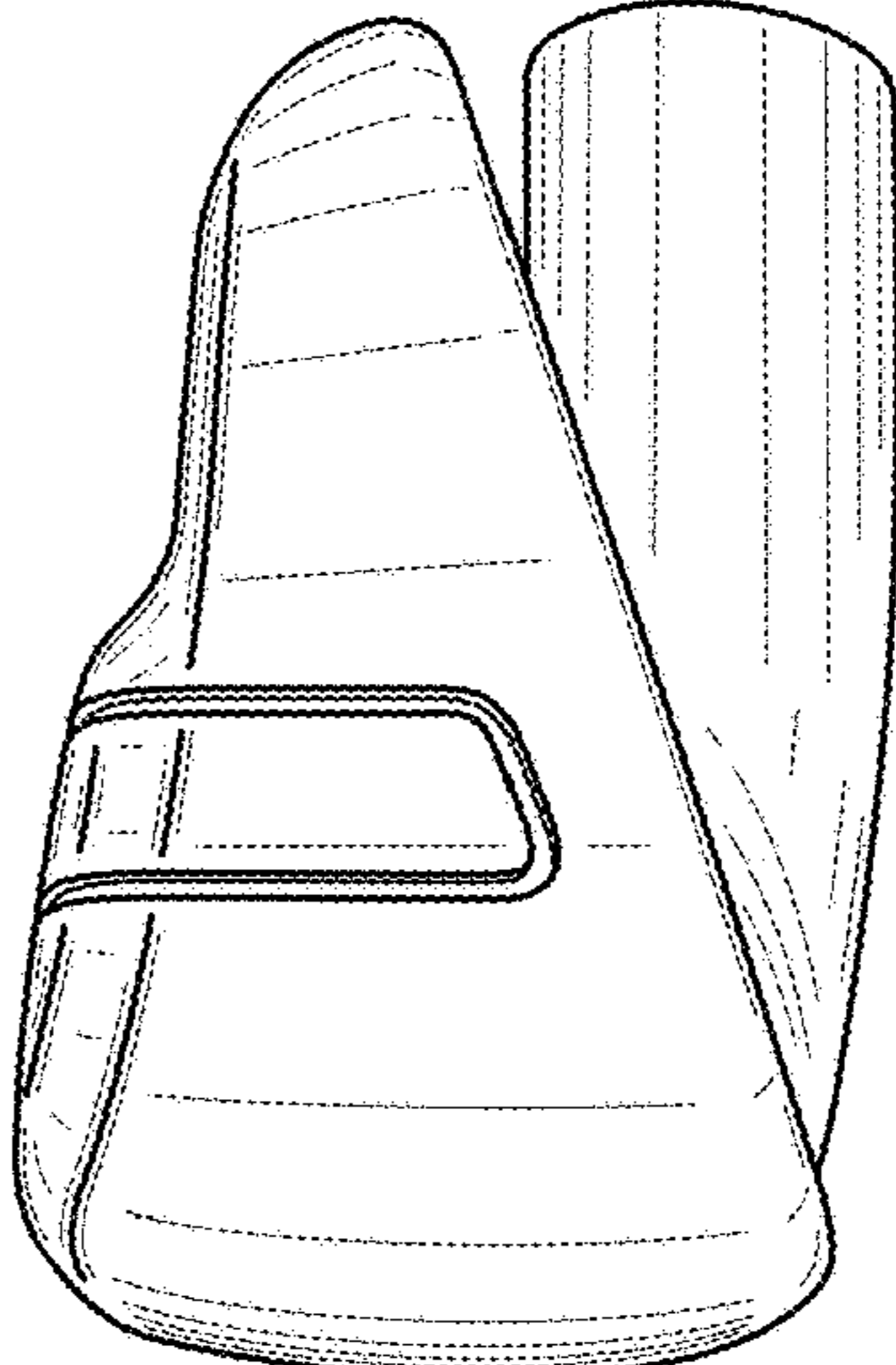


FIG. 4



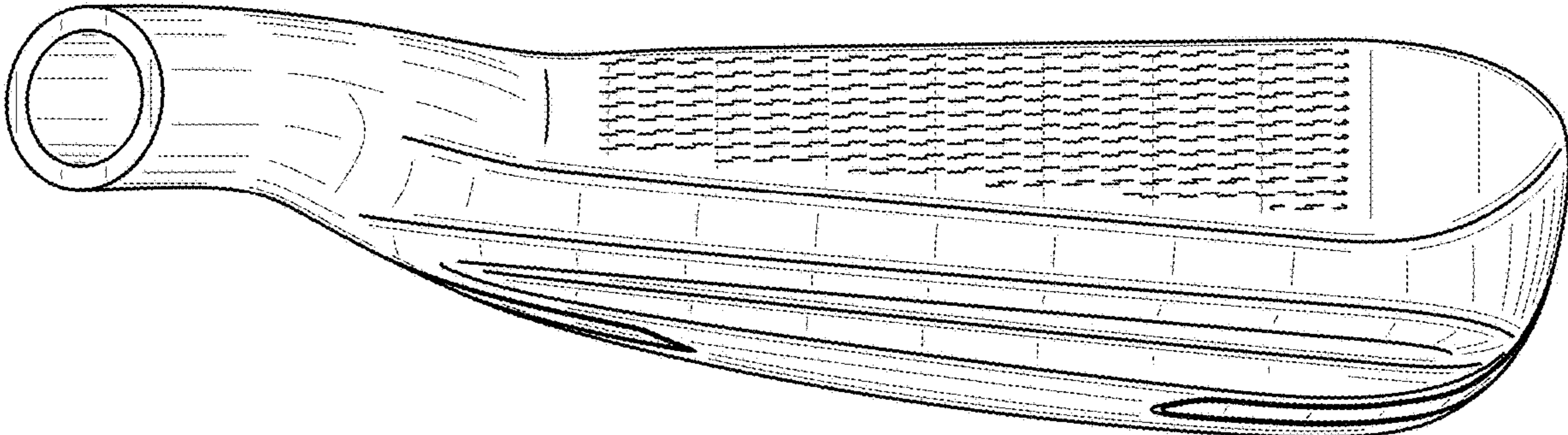


FIG. 5

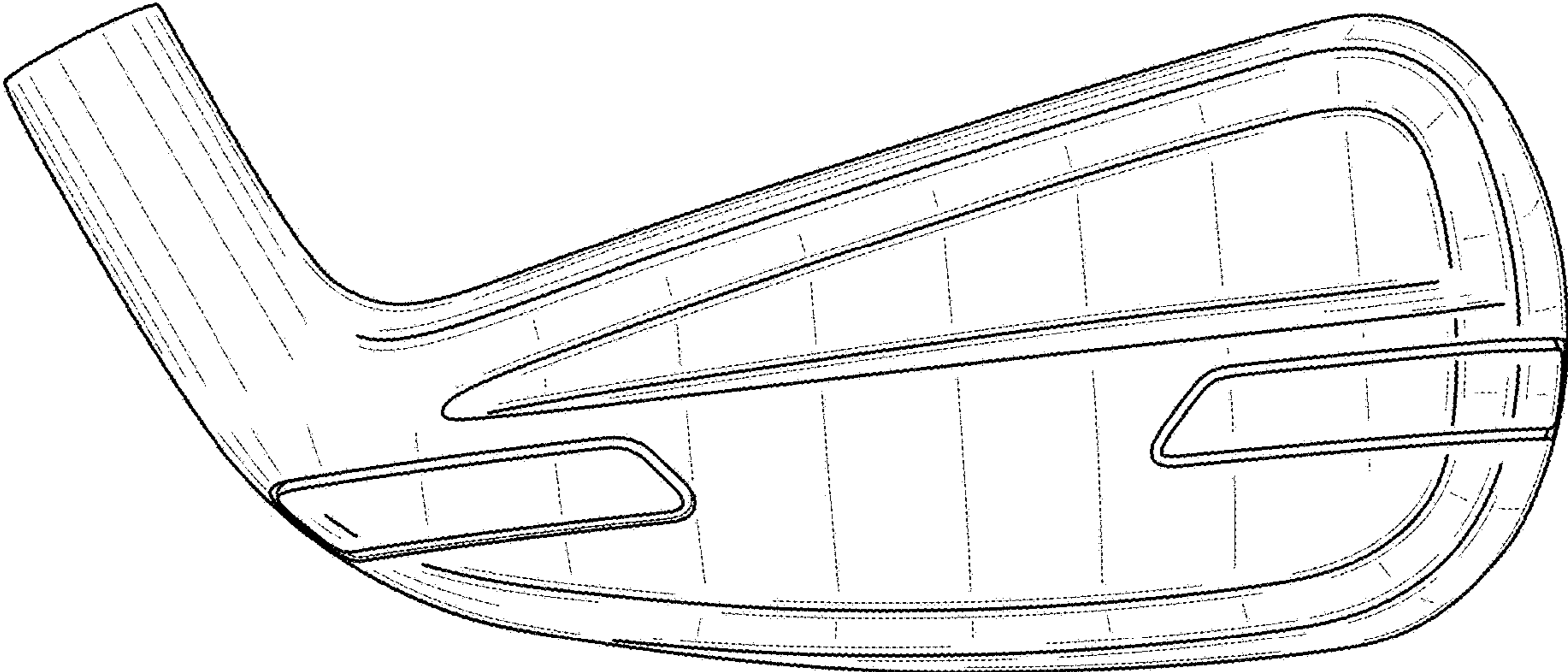


FIG. 6

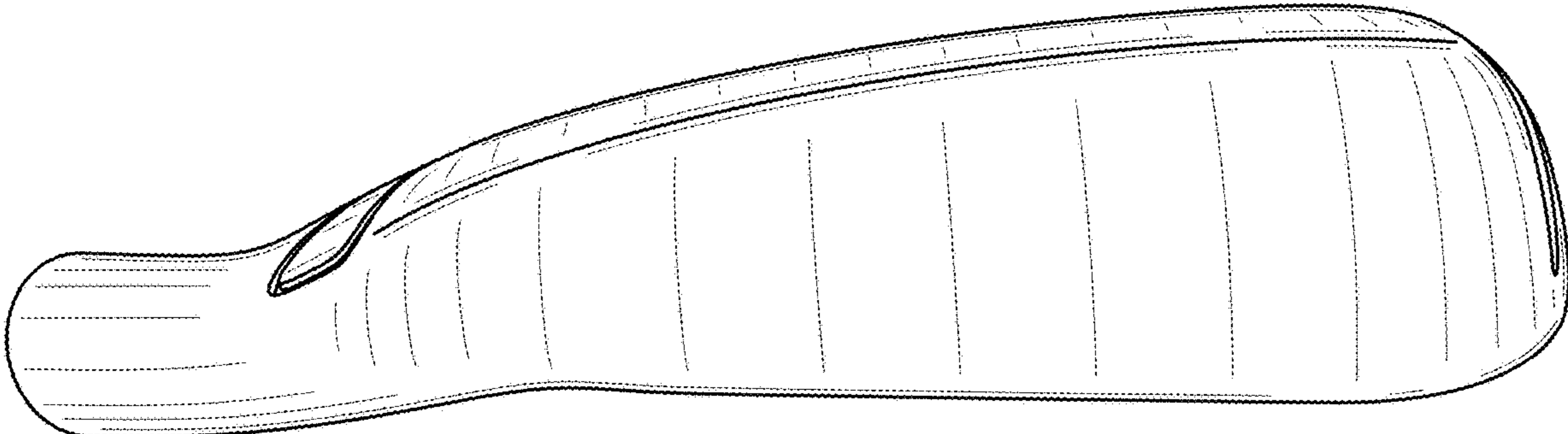


FIG. 7