



US00D896903S

(12) **United States Design Patent**
Schweigert et al.

(10) **Patent No.:** **US D896,903 S**

(45) **Date of Patent:** **** Sep. 22, 2020**

(54) **GOLF CLUB HEAD**

(71) Applicant: **PARSONS XTREME GOLF, LLC**,
Scottsdale, AZ (US)

(72) Inventors: **Bradley D. Schweigert**, Anthem, AZ
(US); **Caleb S. Kroloff**, Phoenix, AZ
(US)

(73) Assignee: **PARSONS XTREME GOLF, LLC**,
Scottsdale, AZ (US)

(**) Term: **15 Years**

(21) Appl. No.: **29/674,329**

(22) Filed: **Dec. 20, 2018**

Related U.S. Application Data

(63) Continuation-in-part of application No. 29/654,692,
filed on Jun. 26, 2018, now abandoned.

(51) **LOC (12) Cl.** **21-02**

(52) **U.S. Cl.**
USPC **D21/743**

(58) **Field of Classification Search**
USPC D21/736-746, 759

(Continued)

(56) **References Cited**

U.S. PATENT DOCUMENTS

723,534 A * 3/1903 Knight A63B 53/0487
473/313

1,133,129 A 3/1915 Govan
(Continued)

FOREIGN PATENT DOCUMENTS

JP 20050160691 6/2005

OTHER PUBLICATIONS

U.S. Appl. No. 14/586,720, Parsons et al, "Golf Club Heads and
Methods to Manufacture Golf Club Heads," filed Dec. 30, 2014.

(Continued)

Primary Examiner — Michelle I. Siegel

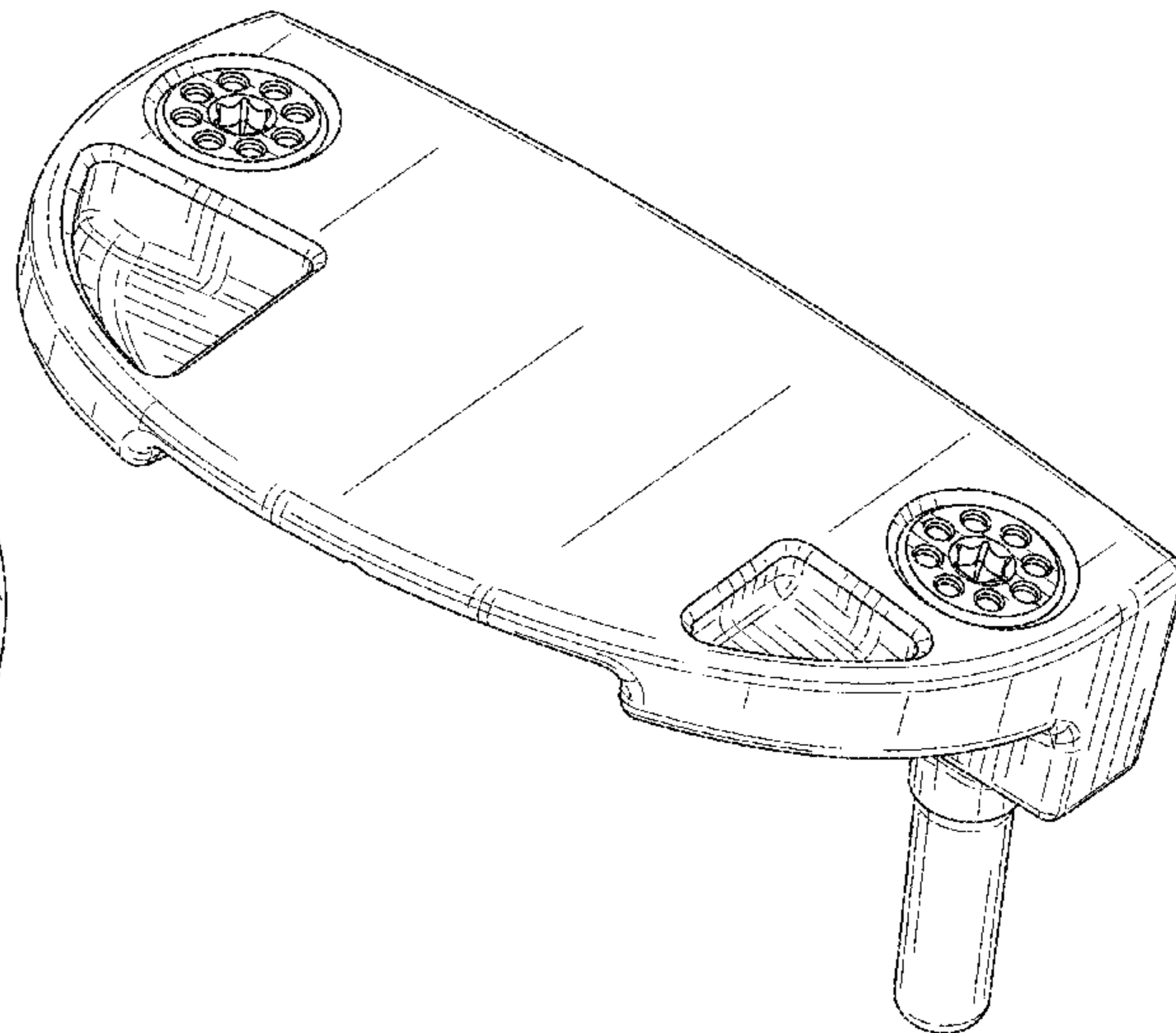
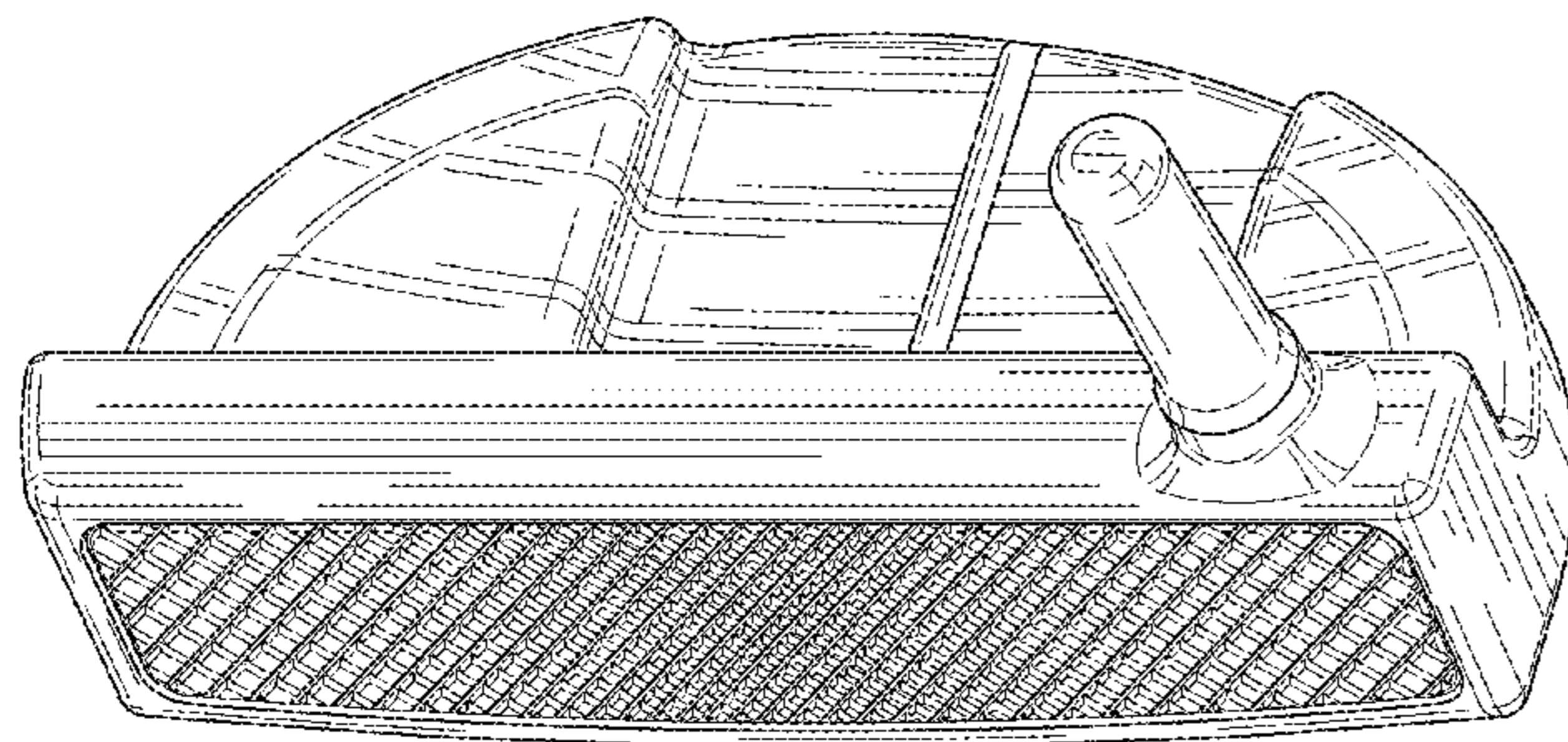
(57) **CLAIM**

The ornamental design for a golf club head, as shown and
described.

DESCRIPTION

FIG. 1 is a top perspective view of a golf club head;
FIG. 2 is a bottom perspective view of the golf club head of
FIG. 1;
FIG. 3 is a front elevational view of the golf club head of
FIG. 1;
FIG. 4 is a rear elevational view of the golf club head of FIG.
1;
FIG. 5 is a top view of the golf club head of FIG. 1;
FIG. 6 is a bottom view of the golf club head of FIG. 1;
FIG. 7 is a left side view of the golf club head of FIG. 1;
FIG. 8 is a right side view of the golf club head of FIG. 1;
FIG. 9 is a top perspective view of a golf club head;
FIG. 10 is a bottom perspective view of the golf club head
of FIG. 9;
FIG. 11 is a front elevational view of the golf club head of
FIG. 9;
FIG. 12 is a rear elevational view of the golf club head of
FIG. 9;
FIG. 13 is a top view of the golf club head of FIG. 9;
FIG. 14 is a bottom view of the golf club head of FIG. 9;
FIG. 15 is a left side view of the golf club head of FIG. 9;
and,
FIG. 16 is a right side view of the golf club head of FIG. 9.
The broken line showing is included for the purpose of
illustrating unclaimed subject matter and forms no part of
the claimed design.

1 Claim, 14 Drawing Sheets



US D896,903 S

(58) **Field of Classification Search**
 CPC A63B 53/00; A63B 53/04; A63B 53/007;
 A63B 53/065; A63B 53/0487; A63B
 60/00; A63B 60/46
 See application file for complete search history.

(56) **References Cited**

U.S. PATENT DOCUMENTS

D57,980 S * 5/1921 Kraeuter D21/741
 RE19,178 E 5/1934 Spiker
 D164,469 S 9/1951 Behrendt
 3,020,048 A 2/1962 Carroll
 D203,936 S 3/1966 Long et al.
 D215,101 S 9/1969 Sabat
 D234,963 S 4/1975 Hirata et al.
 D239,550 S 4/1976 Timbrook
 D240,054 S 5/1976 Meissler
 D244,792 S 6/1977 Gelinas
 4,043,562 A 8/1977 Shillington
 D248,783 S 8/1978 Long
 D250,136 S 10/1978 Gelinas
 D261,167 S 10/1981 Swanson
 D281,092 S 10/1985 Mills
 D294,617 S 3/1988 Perkins
 4,754,977 A 7/1988 Sahm
 4,824,116 A 4/1989 Nagamoto
 4,869,507 A 9/1989 Sahm
 D313,451 S 1/1991 Shearer
 4,988,104 A 1/1991 Shiotani
 5,158,296 A 10/1992 Lee
 5,176,384 A 1/1993 Sata
 D335,317 S 5/1993 Shearer
 D335,692 S 5/1993 Antonious
 5,213,328 A 5/1993 Long
 D336,672 S 6/1993 Gorman
 D336,757 S 6/1993 Antonious
 D350,582 S 9/1994 Miansian et al.
 D353,862 S 12/1994 Saito
 5,390,919 A 2/1995 Stubbs
 D357,520 S 4/1995 Helmstetter et al.
 5,419,560 A 5/1995 Bamber
 5,425,535 A 6/1995 Gee
 5,429,366 A 7/1995 McCabe
 D361,358 S 8/1995 Simmons
 5,447,311 A 9/1995 Viollaz
 5,451,056 A 9/1995 Manning
 D362,884 S 10/1995 Blough et al.
 D362,885 S 10/1995 Blough et al.
 D362,887 S 10/1995 Blough et al.
 D363,101 S 10/1995 Sturm
 D365,864 S 1/1996 Sturm
 5,489,097 A 2/1996 Simmons
 D368,751 S 4/1996 Rife
 D369,393 S 4/1996 Takahashi et al.
 D370,514 S 6/1996 Blough et al.
 5,540,437 A 7/1996 Bamber
 5,571,053 A 11/1996 Lane
 D378,688 S 4/1997 Cameron
 D379,106 S 5/1997 Maltby
 5,637,045 A 6/1997 Igarashi
 5,669,830 A 9/1997 Bamber
 D385,609 S * 10/1997 Cameron D21/742
 5,683,307 A 11/1997 Rife
 D388,143 S 12/1997 Huan-Chiang
 D389,207 S * 1/1998 Mendenhall D21/742
 D389,540 S 1/1998 Mendenhall
 D389,541 S 1/1998 Huan-Chiang
 D395,476 S 6/1998 Pond et al.
 5,766,091 A 6/1998 Humphrey
 5,766,092 A 6/1998 Mimeur
 D396,083 S * 7/1998 Sheets D21/742
 D398,685 S 9/1998 Masuda
 D399,277 S 10/1998 Exaki
 D399,290 S 10/1998 Sizemore, Jr.
 D399,911 S 10/1998 Sanchez
 5,827,132 A 10/1998 Bamber

D400,610 S * 11/1998 Cameron D21/742
 5,839,974 A 11/1998 McAllister
 D405,836 S 2/1999 Nicolette et al.
 D408,485 S 4/1999 Takahashi et al.
 D409,701 S 5/1999 Ashcraft et al.
 5,899,821 A 5/1999 Hsu
 5,924,938 A 7/1999 Hines
 5,935,016 A 8/1999 Antonious
 D414,535 S 9/1999 Mertens
 D421,080 S 2/2000 Chen
 D422,655 S 4/2000 Hicks
 D426,276 S 6/2000 Besnard et al.
 D426,476 S 6/2000 Goss
 6,077,171 A 6/2000 Yoneyama
 D428,457 S * 7/2000 Rollinson D21/743
 D431,854 S 10/2000 Cameron
 D432,192 S 10/2000 Hicks
 D436,151 S 1/2001 Nicolette et al.
 D437,374 S 2/2001 Cameron
 D441,820 S 5/2001 Nicolette et al.
 D442,659 S 5/2001 Kubica et al.
 D443,008 S 5/2001 Kubica et al.
 D443,668 S 6/2001 Nicolette et al.
 D443,905 S 6/2001 Nicolette et al.
 D444,833 S 7/2001 Wells et al.
 D445,862 S 7/2001 Ford
 6,264,571 B1 7/2001 Lekavich
 6,290,609 B1 9/2001 Takeda
 D449,664 S 10/2001 Beebe et al.
 D449,865 S 10/2001 Fife et al.
 D449,866 S 10/2001 Miller
 D450,799 S 11/2001 Nicolette et al.
 D451,973 S 12/2001 Wells et al.
 6,348,014 B1 2/2002 Chiu
 6,354,959 B1 3/2002 Nicolette
 D457,211 S 5/2002 Bakke
 6,394,910 B1 5/2002 McCarthy
 D458,328 S 6/2002 Nicolette
 D469,833 S 2/2003 Roberts et al.
 D472,949 S 4/2003 Serrano et al.
 D473,605 S 4/2003 Petersen et al.
 D474,520 S * 5/2003 Mills D21/744
 D474,821 S 5/2003 Wells et al.
 D475,107 S 5/2003 Madore
 D476,048 S 6/2003 Cleveland et al.
 D478,949 S 8/2003 DeLaCruz
 6,638,182 B2 10/2003 Kosmatka
 D483,086 S 12/2003 Schweigert et al.
 D486,872 S 2/2004 Schweigert et al.
 6,695,714 B1 2/2004 Bliss
 6,702,693 B2 3/2004 Bamber
 D488,201 S 4/2004 Wahl et al.
 D492,376 S 6/2004 Schweigert
 D494,240 S 8/2004 Schweigert
 D494,648 S 8/2004 Schweigert
 6,780,123 B2 8/2004 Hasebe
 D497,963 S 11/2004 Toulon et al.
 D498,276 S 11/2004 Schweigert et al.
 6,811,496 B2 11/2004 Wahl
 D499,779 S 12/2004 Mahaffey et al.
 D500,350 S 12/2004 Schweigert
 D500,351 S 12/2004 Schweigert
 D500,823 S * 1/2005 Aldrich D21/759
 D502,237 S 2/2005 Schweigert
 D502,975 S 3/2005 Schweigert et al.
 D503,204 S 3/2005 Nicolette et al.
 D504,925 S 5/2005 Schweigert
 D505,171 S 5/2005 Schweigert et al.
 6,902,496 B2 6/2005 Solheim
 D507,320 S 7/2005 Roberts et al.
 D507,614 S 7/2005 Schweigert
 D508,099 S 8/2005 Schweigert et al.
 D508,545 S 8/2005 Roberts et al.
 6,923,733 B2 8/2005 Chen
 D510,395 S * 10/2005 Miraflor D21/759
 D511,802 S * 11/2005 Cameron D21/744
 D512,116 S 11/2005 Miraflor et al.
 D514,183 S 1/2006 Schweigert et al.
 6,988,956 B2 1/2006 Cover

(56)

References Cited

U.S. PATENT DOCUMENTS

D516,650 S	3/2006	Wolfe et al.	7,473,189 B2	1/2009	Schweigert	
D518,863 S	4/2006	Motoyoshi et al.	D586,414 S	2/2009	Foster et al.	
D520,088 S	5/2006	Parr	D587,327 S	2/2009	Ines et al.	
D523,501 S	6/2006	Nicolette et al.	7,491,131 B2	2/2009	Vinton	
D523,917 S	6/2006	Wolfe et al.	D590,463 S *	4/2009	Hettinger	D21/743
D524,889 S	7/2006	Yu et al.	D594,518 S	6/2009	Schweigert	
D530,759 S	10/2006	Nicolette et al.	D596,256 S	7/2009	Schweigert et al.	
D530,760 S	10/2006	Schweigert et al.	D596,257 S	7/2009	Jertson et al.	
D531,242 S	10/2006	Adams	D596,258 S	7/2009	Jertson	
7,121,956 B2	10/2006	Lo	D596,461 S	7/2009	Mansfield	
7,128,663 B2	10/2006	Bamber	D596,688 S	7/2009	Chen	
D531,688 S	11/2006	Frame et al.	D597,158 S	7/2009	Schweigert et al.	
D532,067 S	11/2006	Soracco et al.	D599,425 S	9/2009	Laub	
D532,468 S *	11/2006	Hettinger	D599,867 S	9/2009	Teramoto	
D532,849 S	11/2006	Nicolette et al.	D600,763 S *	9/2009	Cameron	D21/759
D534,228 S	12/2006	Nicolette et al.	D601,214 S	9/2009	Serrano	
7,153,220 B2	12/2006	Lo	7,588,502 B2	9/2009	Nishino	
D534,595 S	1/2007	Hasebe	D603,007 S *	10/2009	Franklin	D21/736
D534,597 S	1/2007	Nicolette et al.	7,601,075 B2	10/2009	Cole	
7,156,751 B2	1/2007	Wahl	D601,216 S	11/2009	Jertson et al.	
7,156,752 B1	1/2007	Bennett	D604,783 S	11/2009	Nicolette et al.	
D536,401 S	2/2007	Kawami	7,611,424 B2	11/2009	Nagai	
D536,403 S	2/2007	Kawami	D606,605 S	12/2009	Wada et al.	
D536,759 S	2/2007	Schweigert et al.	D607,070 S	12/2009	Wada et al.	
D537,494 S	2/2007	Jertson et al.	D607,071 S	12/2009	Wada et al.	
7,182,698 B2	2/2007	Tseng	D607,951 S	1/2010	Teramoto	
D538,366 S	3/2007	Nicolette et al.	7,658,686 B2	2/2010	Soracco	
D538,371 S	3/2007	Kawami	D612,438 S	3/2010	Carlyle et al.	
D539,864 S	4/2007	Nicolette et al.	D612,439 S	3/2010	Carlyle et al.	
D540,898 S	4/2007	Solheim et al.	D617,406 S	6/2010	Carlyle et al.	
D541,360 S	4/2007	Schweigert et al.	D618,293 S	6/2010	Foster et al.	
7,204,765 B2	4/2007	Cover	7,736,243 B2	6/2010	Sanchez	
7,207,900 B2	4/2007	Nicolette	7,744,484 B1	6/2010	Chao	
D542,869 S	5/2007	Adams	7,744,485 B2	6/2010	Jones	
D543,596 S	5/2007	Rockwood	D620,993 S	8/2010	Laub	
D543,601 S	5/2007	Kawami	D621,893 S	8/2010	Nicolette et al.	
D544,056 S	6/2007	Nicolette et al.	D621,894 S	8/2010	Schweigert	
D547,410 S	7/2007	Nicolette et al.	D621,895 S	8/2010	Schweigert et al.	
D555,219 S	11/2007	Lin	D623,709 S	9/2010	Serrano et al.	
D556,277 S	11/2007	Broom	7,798,917 B2	9/2010	Nguyen	
7,303,486 B2	12/2007	Imamoto	7,815,521 B2	10/2010	Ban	
D559,932 S	1/2008	Belmont	D627,409 S	11/2010	Schweigert et al.	
D561,854 S	2/2008	Morris	D627,410 S	11/2010	Nicolette et al.	
D561,855 S	2/2008	Schweigert et al.	7,846,040 B2	12/2010	Ban	
D562,925 S	2/2008	Schweigert et al.	D631,925 S	2/2011	Broom	
7,331,876 B2	2/2008	Klein	D633,159 S	2/2011	Holt et al.	
7,351,162 B2	4/2008	Soracco	7,887,432 B2	2/2011	Jones	
7,351,164 B2	4/2008	Schweigert	D633,964 S	3/2011	Teramoto	
D569,930 S	5/2008	Nehrbas	D633,967 S	3/2011	Carlyle et al.	
D570,435 S	6/2008	Sanchez et al.	D634,801 S *	3/2011	Rollinson	D21/743
D570,935 S	6/2008	Nicolette et al.	7,909,707 B2	3/2011	Klein	
D570,936 S	6/2008	Schweigert et al.	D635,625 S *	4/2011	Rollinson	D21/743
D570,942 S	6/2008	Chen et al.	D635,627 S	4/2011	Nicolette	
D571,422 S	6/2008	Schweigert et al.	7,918,745 B2	4/2011	Morris	
D571,425 S	6/2008	Chen et al.	D638,891 S	5/2011	Nicolette et al.	
D571,427 S	6/2008	Schweigert et al.	7,938,738 B2	5/2011	Roach	
D571,881 S	6/2008	Nicolette et al.	D641,440 S *	7/2011	Hettinger	D21/743
D572,326 S	7/2008	Schweigert et al.	D642,642 S	8/2011	Jertson et al.	
D572,329 S	7/2008	Nicolette et al.	D642,643 S	8/2011	Nicolette et al.	
D573,219 S	7/2008	Schweigert et al.	D643,485 S	8/2011	Nicolette et al.	
7,396,289 B2	7/2008	Soracco	D643,488 S	8/2011	Holt et al.	
7,396,299 B2	7/2008	Nicolette	D643,490 S	8/2011	Wada et al.	
7,413,518 B2	8/2008	Cole	D643,491 S	8/2011	Stokke et al.	
D576,698 S *	9/2008	Cameron	D643,492 S	8/2011	Nicolette et al.	
D577,085 S	9/2008	Nicolette et al.	D643,895 S	8/2011	Wieland	
D577,086 S	9/2008	Nicolette et al.	D643,896 S	8/2011	Jertson et al.	
D577,783 S	9/2008	Schweigert et al.	D644,703 S *	9/2011	Serrano	D21/743
D578,590 S	10/2008	Schweigert et al.	D645,104 S	9/2011	Nicolette et al.	
D579,506 S	10/2008	Nicolette et al.	D647,582 S	10/2011	Nicolette et al.	
D579,995 S	11/2008	Nicolette et al.	D648,408 S *	11/2011	Teramoto	D21/743
D581,000 S	11/2008	Nicolette et al.	D649,211 S	11/2011	Jertson et al.	
D581,004 S	11/2008	Chen	8,062,150 B2	11/2011	Gilbert	
D582,497 S	12/2008	Rollinson	D651,268 S	12/2011	Nicolette et al.	
D584,370 S	1/2009	Cleveland et al.	8,088,025 B2	1/2012	Wahl	
D585,103 S	1/2009	Foster et al.	8,092,319 B1	1/2012	Cackett	
			8,096,039 B2	1/2012	Soracco	
			8,105,180 B1	1/2012	Cackett	
			D653,718 S	2/2012	Stokke et al.	
			D655,361 S	3/2012	Ramsauer	

(56)

References Cited

U.S. PATENT DOCUMENTS

8,142,307 B2	3/2012	Sanchez	
D658,248 S	4/2012	Nunez et al.	
D661,753 S *	6/2012	Cameron	D21/759
D661,754 S *	6/2012	Cameron	D21/759
8,221,262 B1	7/2012	Cackett	
D666,230 S	8/2012	Schneider	
8,246,487 B1	8/2012	Cackett	
D670,775 S	11/2012	Jertson et al.	
D672,417 S	12/2012	Jertson et al.	
8,328,662 B2	12/2012	Nakamura	
D673,633 S	1/2013	Jertson et al.	
D673,634 S	1/2013	Jertson et al.	
8,371,958 B2 *	2/2013	Treadwell	A63B 53/04 473/331
8,376,878 B2	2/2013	Bennett	
D680,603 S	4/2013	Nicolette et al.	
D681,142 S	4/2013	Fossum et al.	
D681,143 S	4/2013	Nicolette et al.	
8,414,422 B2	4/2013	Peralta	
D688,339 S	8/2013	Hilton et al.	
D688,341 S	8/2013	Rollinson	
8,506,420 B2	8/2013	Hocknell	
D691,226 S	10/2013	Hilton et al.	
D691,681 S *	10/2013	Hilton	D21/736
8,545,343 B2	10/2013	Boyd	
8,574,094 B2	11/2013	Nicolette	
D699,308 S	2/2014	Rollinson	
8,657,700 B2	2/2014	Nicolette	
8,663,026 B2	3/2014	Blowers	
8,690,710 B2	4/2014	Nicolette	
D704,782 S	5/2014	Rollinson	
8,721,472 B2	5/2014	Kuan	
D707,316 S	6/2014	Aguayo et al.	
D707,317 S	6/2014	Aguayo et al.	
D707,771 S *	6/2014	Cameron	D21/759
8,753,230 B2	6/2014	Stokke	
D708,688 S	7/2014	Nicolette et al.	
8,790,193 B2	7/2014	Serrano	
D711,483 S	8/2014	Wong	
8,827,832 B2	9/2014	Breier	
8,827,833 B2	9/2014	Amano	
8,845,455 B2	9/2014	Ban	
D716,387 S	10/2014	Aguayo et al.	
D716,388 S	10/2014	Aguayo et al.	
D716,391 S	10/2014	Kim	
D722,350 S	2/2015	Schweigert	
D722,351 S	2/2015	Parsons et al.	
D722,352 S	2/2015	Nicolette et al.	
D723,120 S	2/2015	Nicolette et al.	
8,961,336 B1	2/2015	Parsons	
D724,164 S	3/2015	Schweigert et al.	
D725,208 S	3/2015	Schweigert	
D726,265 S	4/2015	Nicolette	
D726,846 S *	4/2015	Schweigert	D21/743
D726,849 S	4/2015	Burns	
D730,465 S *	5/2015	Cameron	D21/759
D733,234 S	6/2015	Nicolette	
D738,447 S	9/2015	Schweigert	
D738,449 S	9/2015	Schweigert	
D739,487 S	9/2015	Schweigert	
D741,426 S *	10/2015	Schweigert	D21/736
9,199,143 B1	12/2015	Parsons	
D746,926 S	1/2016	Parsons et al.	
D748,213 S	1/2016	Parsons et al.	
D748,214 S	1/2016	Nicolette et al.	
D748,215 S	1/2016	Parsons et al.	
9,233,283 B2	1/2016	Schweigert	
D748,749 S	2/2016	Nicolette et al.	
D752,697 S	3/2016	Claveran	
D753,252 S *	4/2016	Schweigert	D21/759
D756,471 S	5/2016	Nicolette et al.	
D759,173 S *	6/2016	Rollinson	D21/743
D762,274 S *	7/2016	Cardani	D21/759
D763,382 S *	8/2016	Cardani	D21/759
D764,610 S	8/2016	Parsons et al.	
D765,198 S *	8/2016	Cardani	D21/759
9,421,437 B2	8/2016	Parsons	
9,427,634 B2	8/2016	Parsons	
D769,386 S *	10/2016	Schweigert	D21/759
D773,575 S	12/2016	Nicolette	
D779,006 S *	2/2017	Abbott	D21/744
D791,891 S	7/2017	Davis	
D794,146 S	8/2017	Davis	
D796,603 S *	9/2017	Serrano	D21/744
D802,068 S	11/2017	Parsons	
D802,073 S *	11/2017	Toulon	D21/759
D816,787 S	5/2018	Nicolette et al.	
D827,065 S	8/2018	Nicolette et al.	
D834,120 S *	11/2018	Cameron	D21/759
D834,121 S *	11/2018	Cameron, Jr.	D21/759
D835,737 S	12/2018	Parsons et al.	
10,173,105 B2 *	1/2019	Myers	A63B 53/0487
D860,352 S *	9/2019	Rollinson	D21/743
D860,353 S *	9/2019	Rollinson	D21/743
10,441,858 B2 *	10/2019	Schweigert	A63B 53/0487
10,493,331 B2 *	12/2019	Kroloff	A63B 53/04
D873,358 S *	1/2020	Lee	D21/744
D879,223 S *	3/2020	Serrano	D21/742
D879,895 S *	3/2020	Schweigert	D21/759
10,646,758 B2 *	5/2020	Schweigert	A63B 53/065
2002/0107087 A1	8/2002	Fagot	
2003/0139226 A1	7/2003	Cheng	
2003/0176231 A1	9/2003	Hasebe	
2004/0204263 A1	10/2004	Fagot	
2005/0009632 A1	1/2005	Schweigert	
2005/0014573 A1	1/2005	Lee	
2005/0096148 A1	5/2005	Noble	
2005/0119066 A1	6/2005	Stites	
2005/0239569 A1	10/2005	Best	
2005/0277485 A1	12/2005	Hou	
2006/0111200 A1	5/2006	Poynor	
2007/0032308 A1	2/2007	Fagot	
2007/0142122 A1	6/2007	Bonneau	
2007/0207875 A1	9/2007	Kuan	
2007/0225084 A1	9/2007	Schweigert	
2007/0238548 A1	10/2007	Johnson	
2008/0058113 A1	3/2008	Nicolette	
2008/0139333 A1	6/2008	Klein	
2008/0146372 A1	6/2008	John	
2008/0176672 A1	7/2008	Roach	
2008/0188322 A1	8/2008	Anderson	
2008/0300065 A1	12/2008	Schweigert	
2009/0029790 A1	1/2009	Nicolette	
2010/0130306 A1	5/2010	Schweigert	
2010/0178999 A1	7/2010	Nicolette	
2011/0111683 A1	5/2011	Kelnhofner	
2011/0165959 A1	7/2011	Klein	
2011/0165963 A1	7/2011	Cackett	
2011/0269567 A1	11/2011	Ban	
2011/0294596 A1	12/2011	Ban	
2012/0267410 A1	10/2012	Loudenslager	
2013/0137532 A1	5/2013	Deshmukh	
2013/0165256 A1	6/2013	Stevenson	
2013/0210537 A1	8/2013	Ainscough	
2013/0225319 A1	8/2013	Kato	
2013/0281226 A1	10/2013	Ban	
2013/0288823 A1	10/2013	Hebreo	
2013/0303303 A1	11/2013	Ban	
2013/0310192 A1	11/2013	Wahl	
2014/0080621 A1	3/2014	Nicolette	
2014/0128175 A1	5/2014	Jertson	
2014/0274441 A1	9/2014	Greer	
2014/0274451 A1	9/2014	Knight	
2015/0136825 A1	5/2015	Kalck	
2015/0231454 A1	8/2015	Parsons	
2015/0231806 A1	8/2015	Parsons	

OTHER PUBLICATIONS

U.S. Appl. No. 29/523,587, Schweigert, "Golf Club Head," filed Apr. 10, 2015.
 TourSpecGolf (Gold's Factory Multi Weighted Custom Putter) [online]. Nov. 20, 2010 [retrieved Apr. 21, 2016]. Retrieved from

(56)

References Cited

OTHER PUBLICATIONS

the Internet: <URL: <http://www.tourspecgolf.com/blog/golds-factory-multi-weighted-custom-putter/>>.

International Search Report and Written Opinion Issued in Connection With Corresponding Application No. PCT/US15/27841 on Jul. 30, 2015 (14 pages).

International Search Report and Written Opinion Issued in connection with corresponding application No. PCT/US2015/016666, dated May 14, 2015 (8 Pages).

Kozuchowski, Zak, "Callaway Mack Daddy 2 PM Grind Wedges" (<http://golfwrz.com/276203/callaway-mack-daddy-2-pm-grind-wedges/>), www.golfwrz.com, Golfwrz Holdings, LLC, Published Jan. 21, 2015.

Wall, Jonathan, "Details: Phil's Prototype Mack Daddy PM—Grind Wedge," (<http://www.pgatour.com/equipmentreport/2015/01/21/callaway-wedge.html>), www.pgatour.com, PGA Tour, Inc., Published Jan. 21, 2015.

* cited by examiner

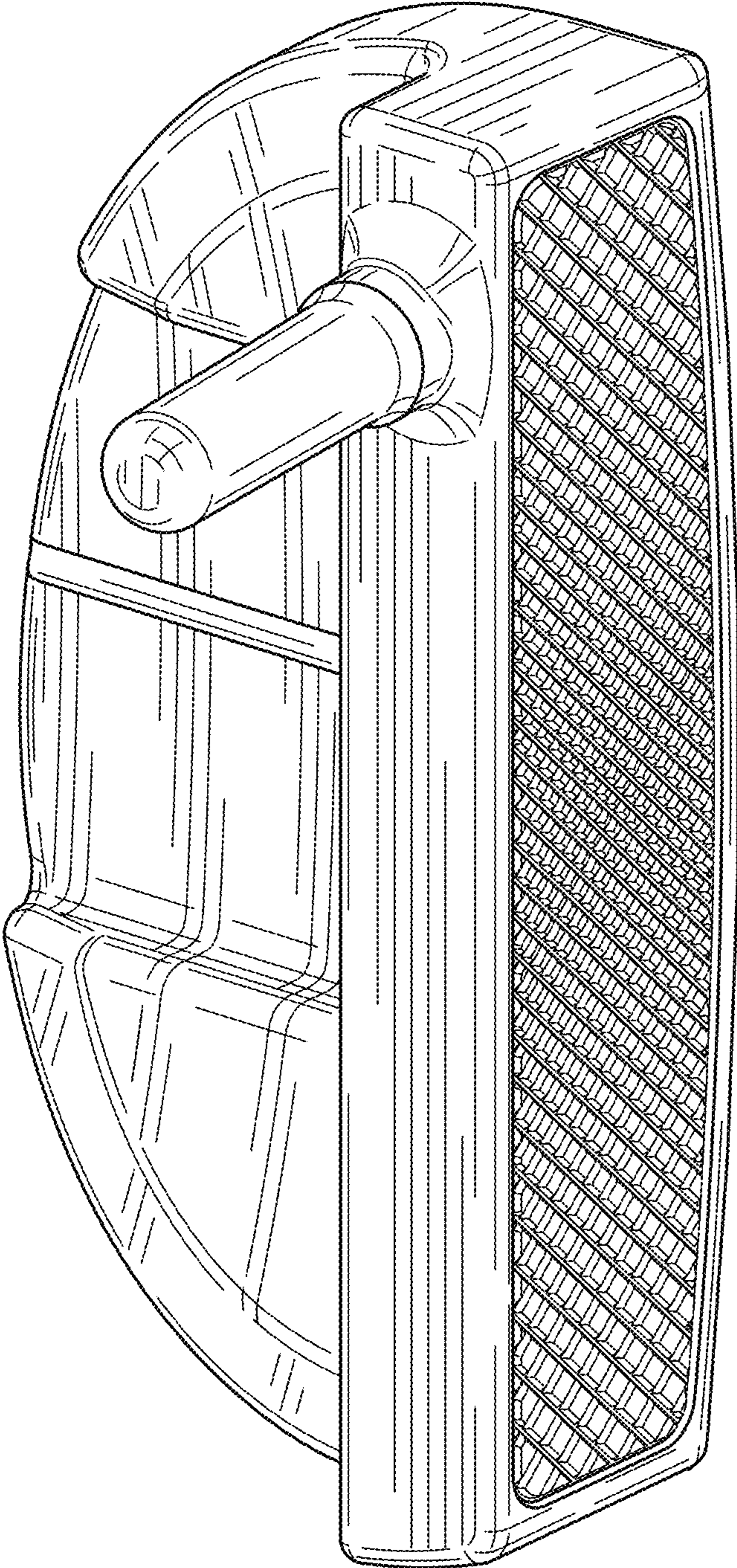


FIG. 1

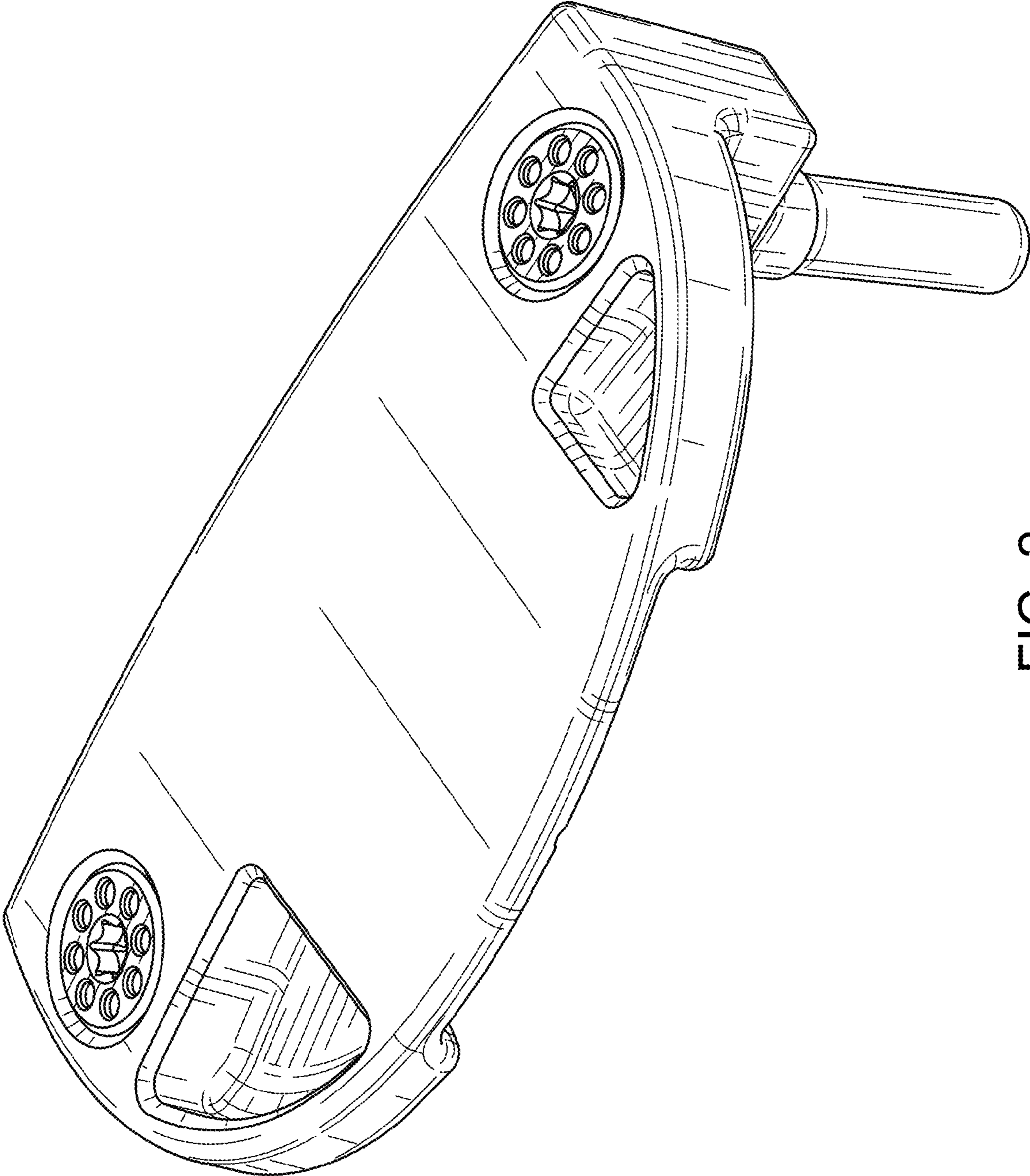


FIG. 2

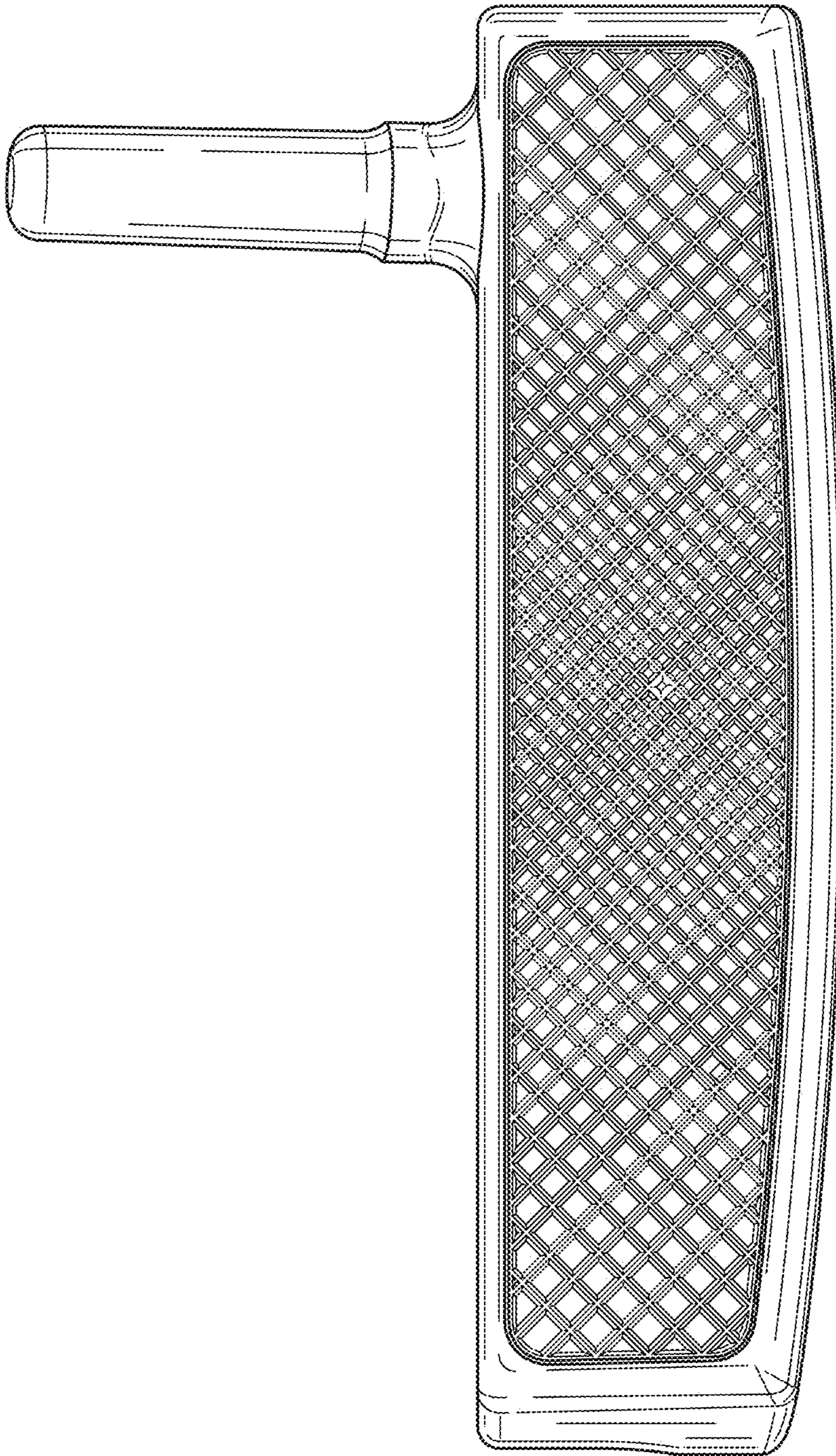


FIG. 3

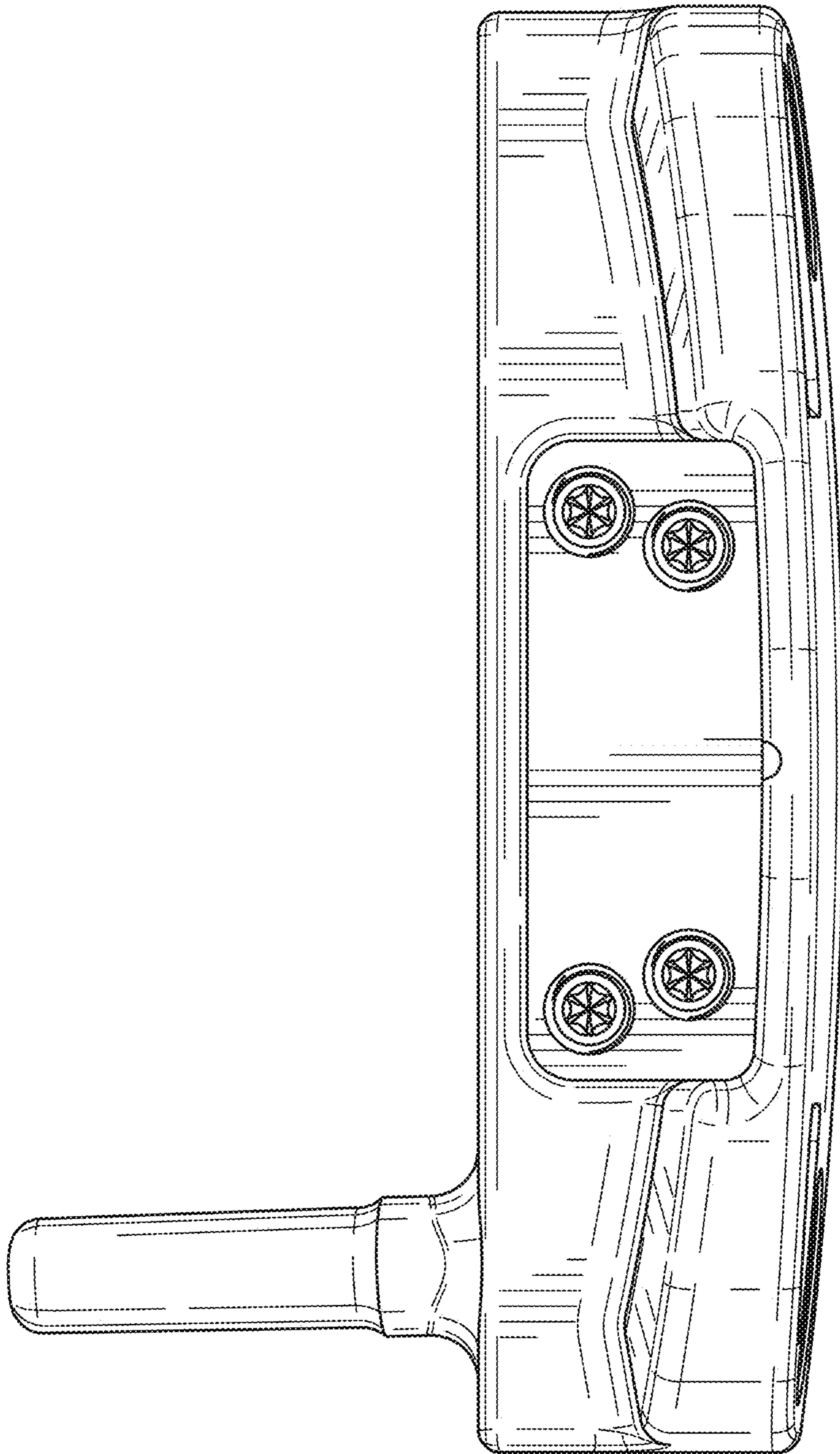


FIG. 4

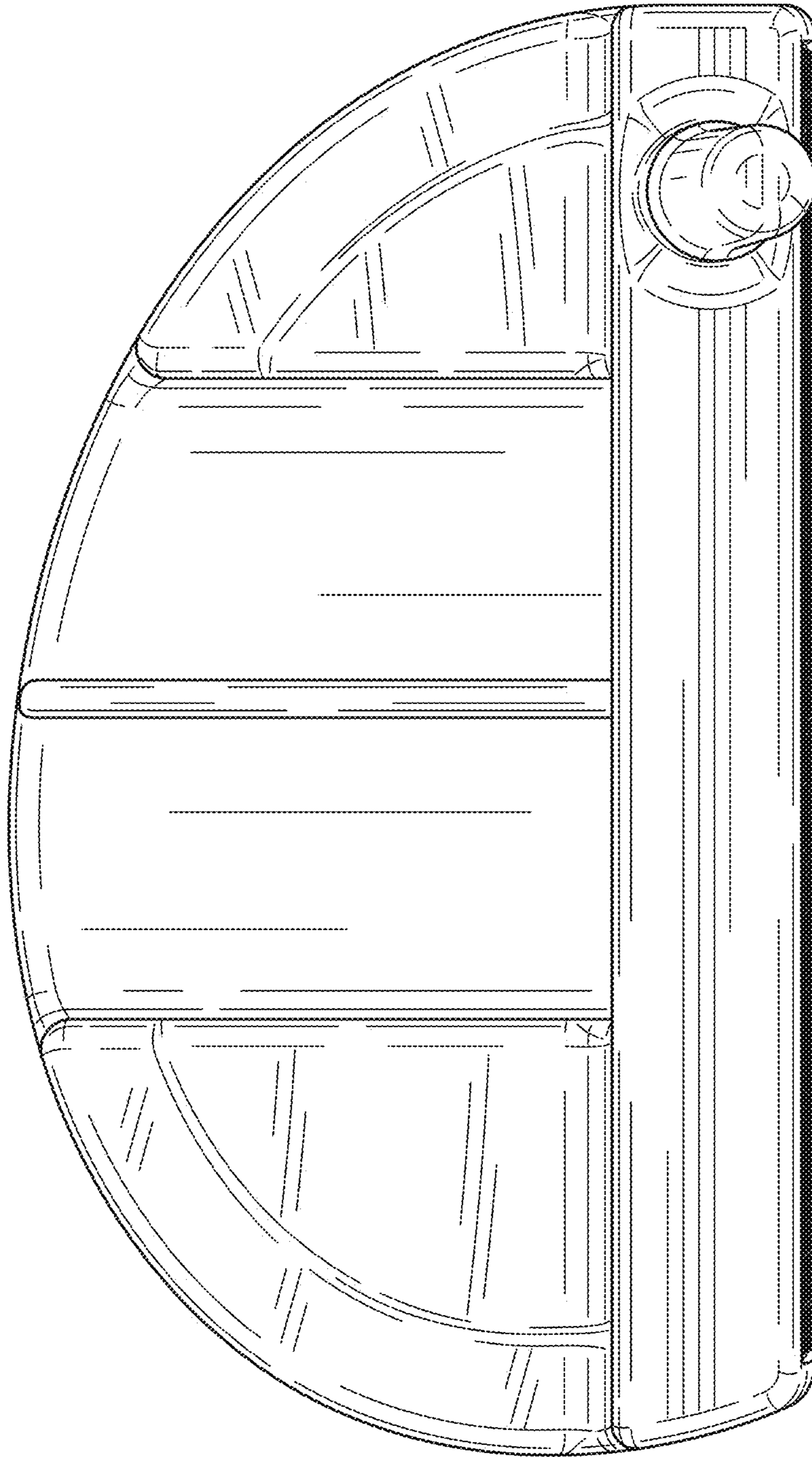


FIG. 5

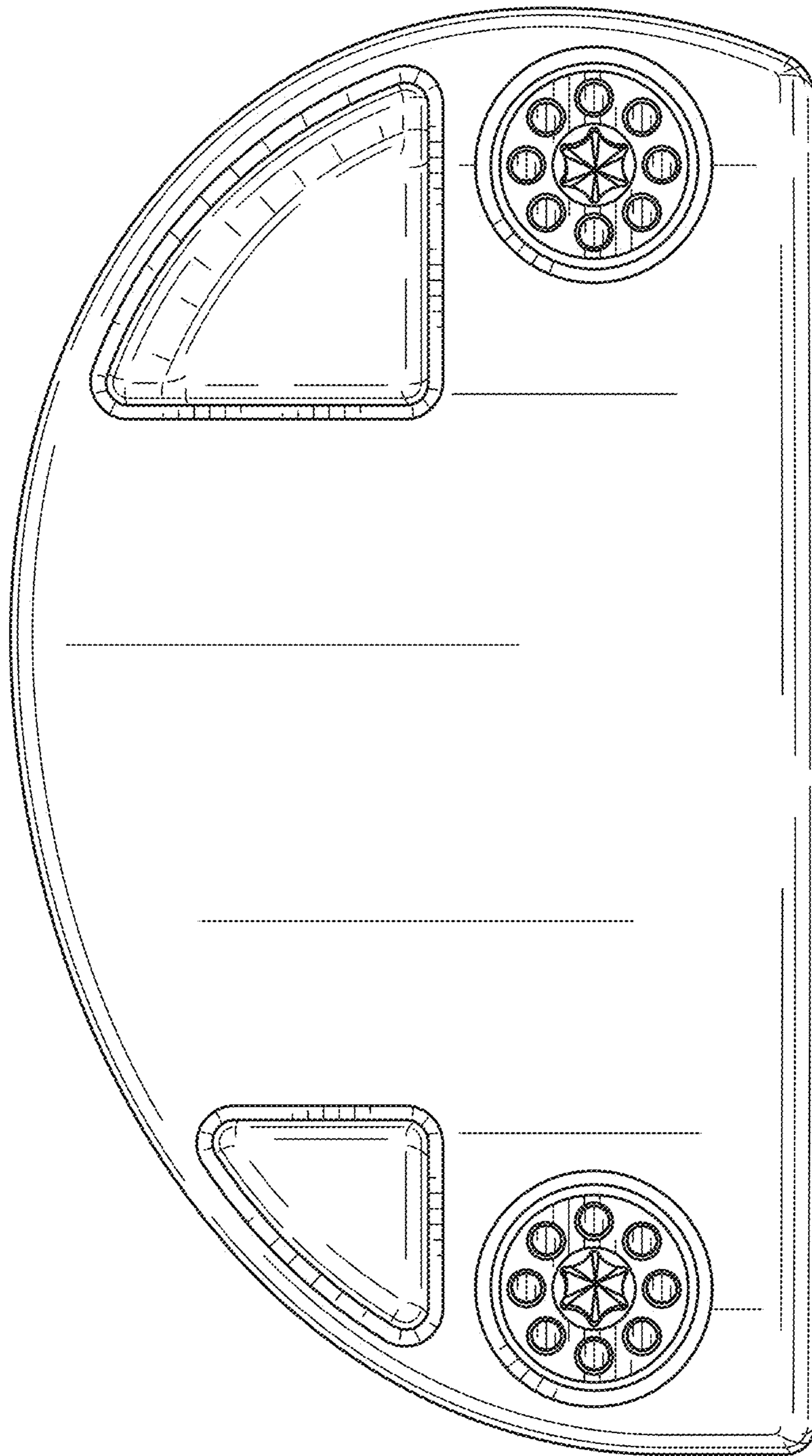


FIG. 6

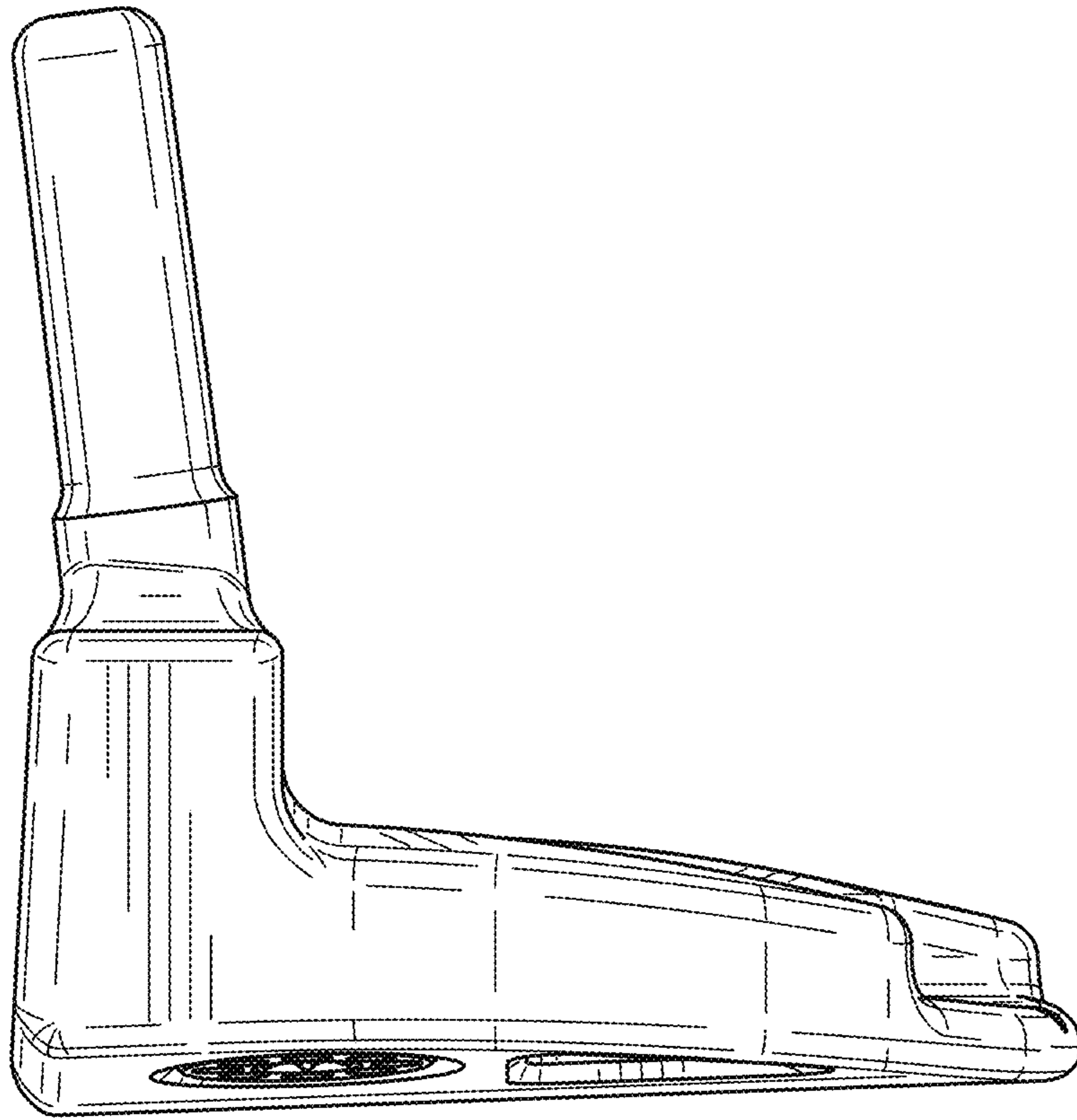


FIG. 7

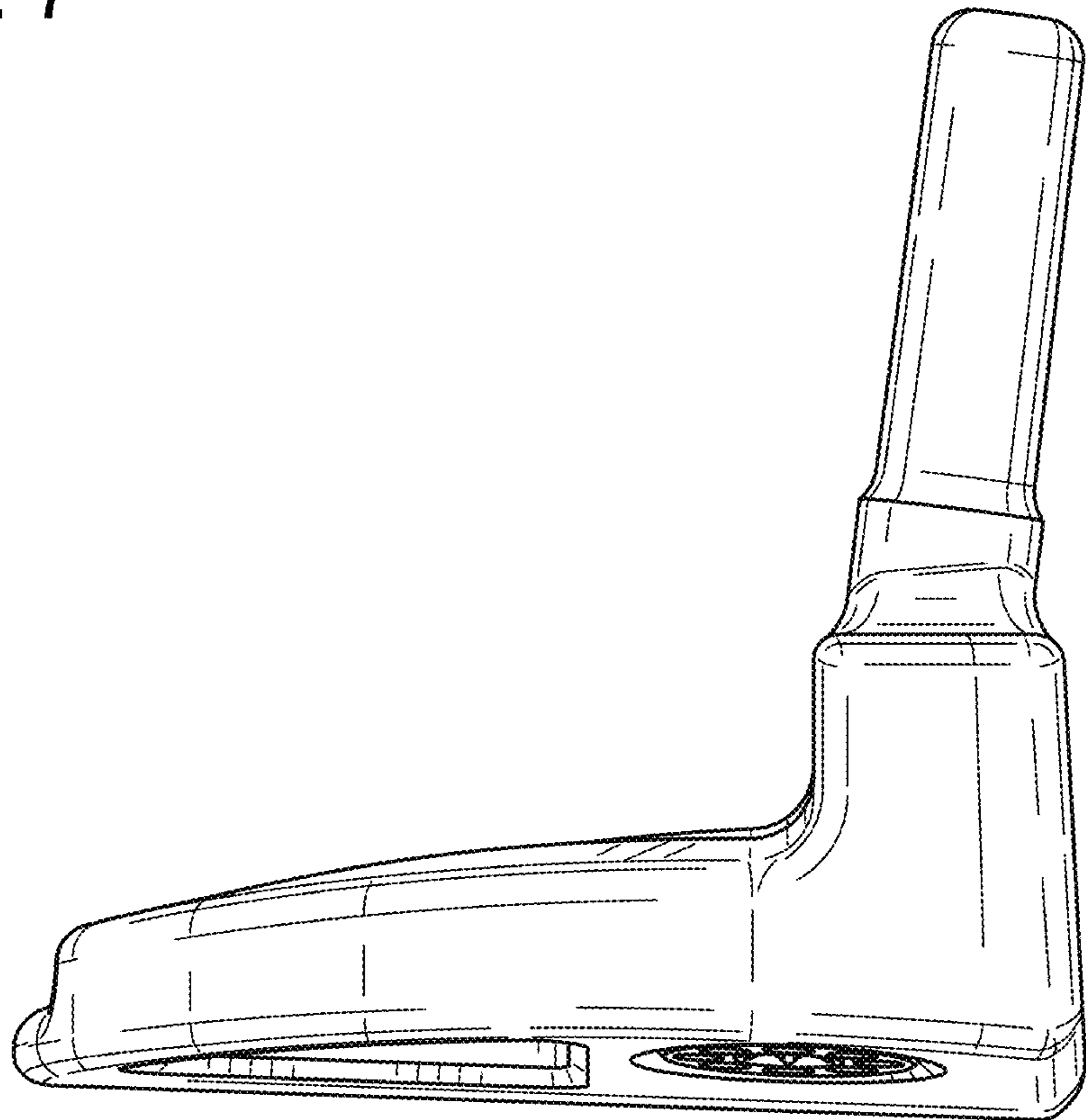


FIG. 8

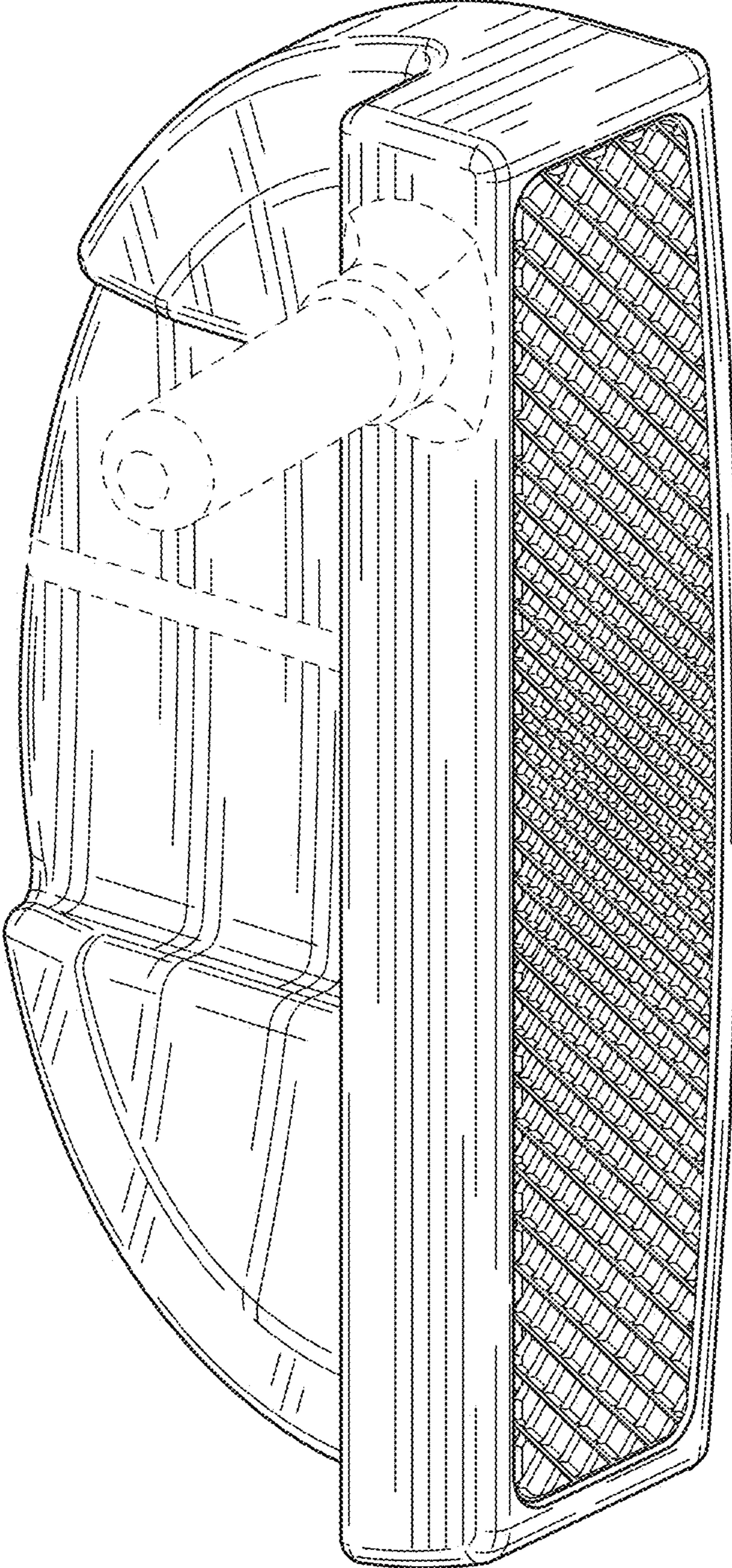


FIG. 9

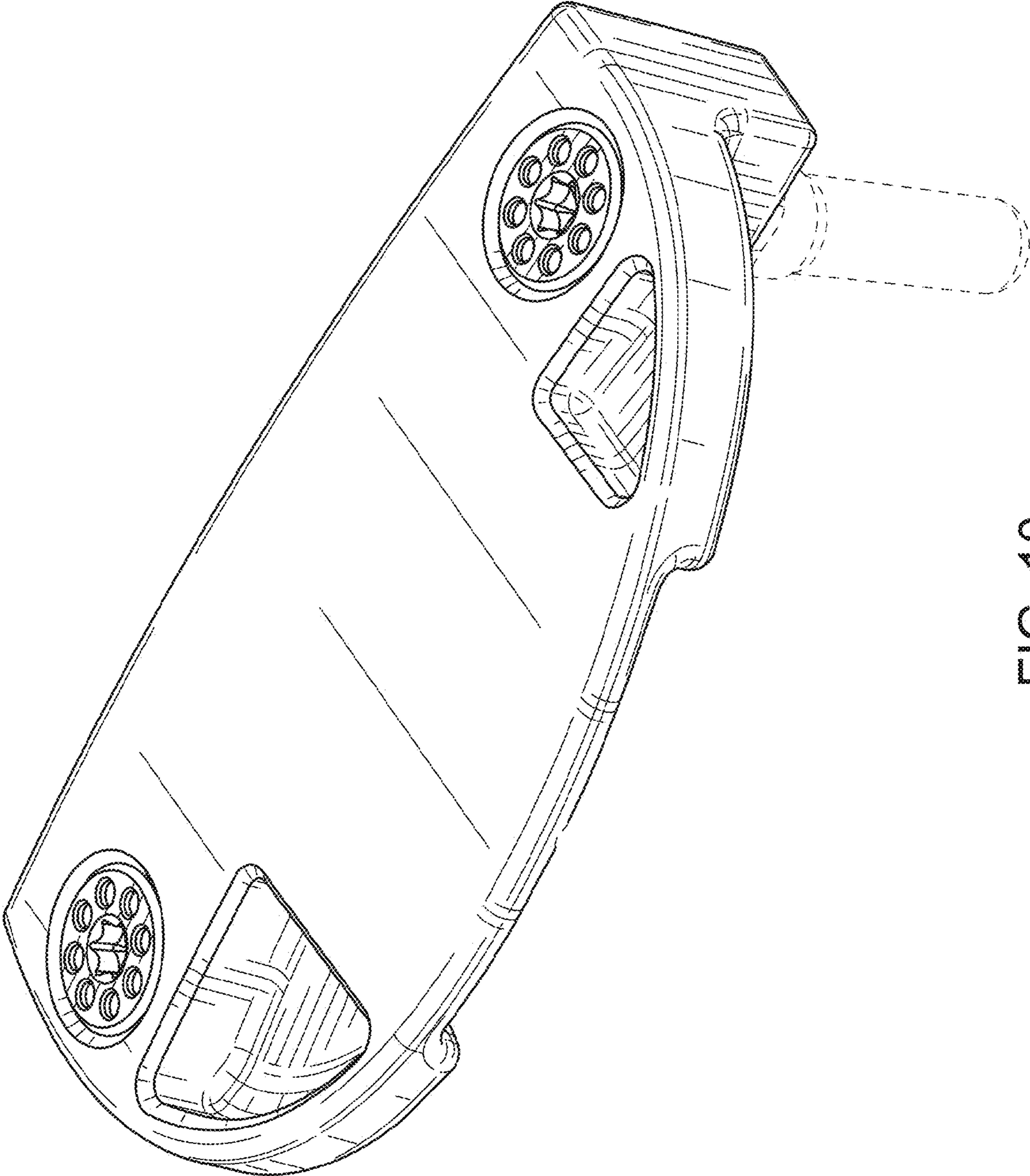


FIG. 10

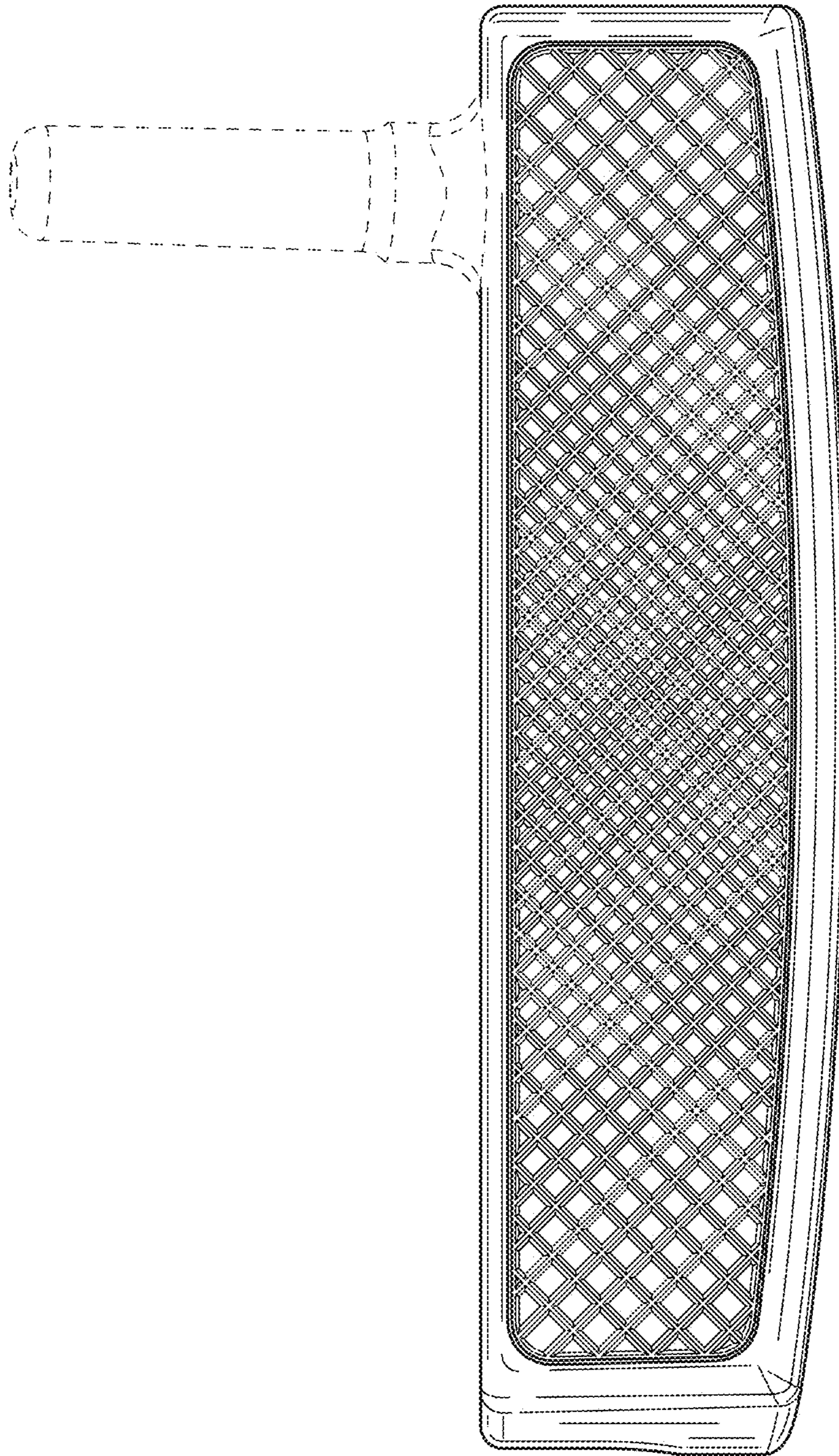


FIG. 11

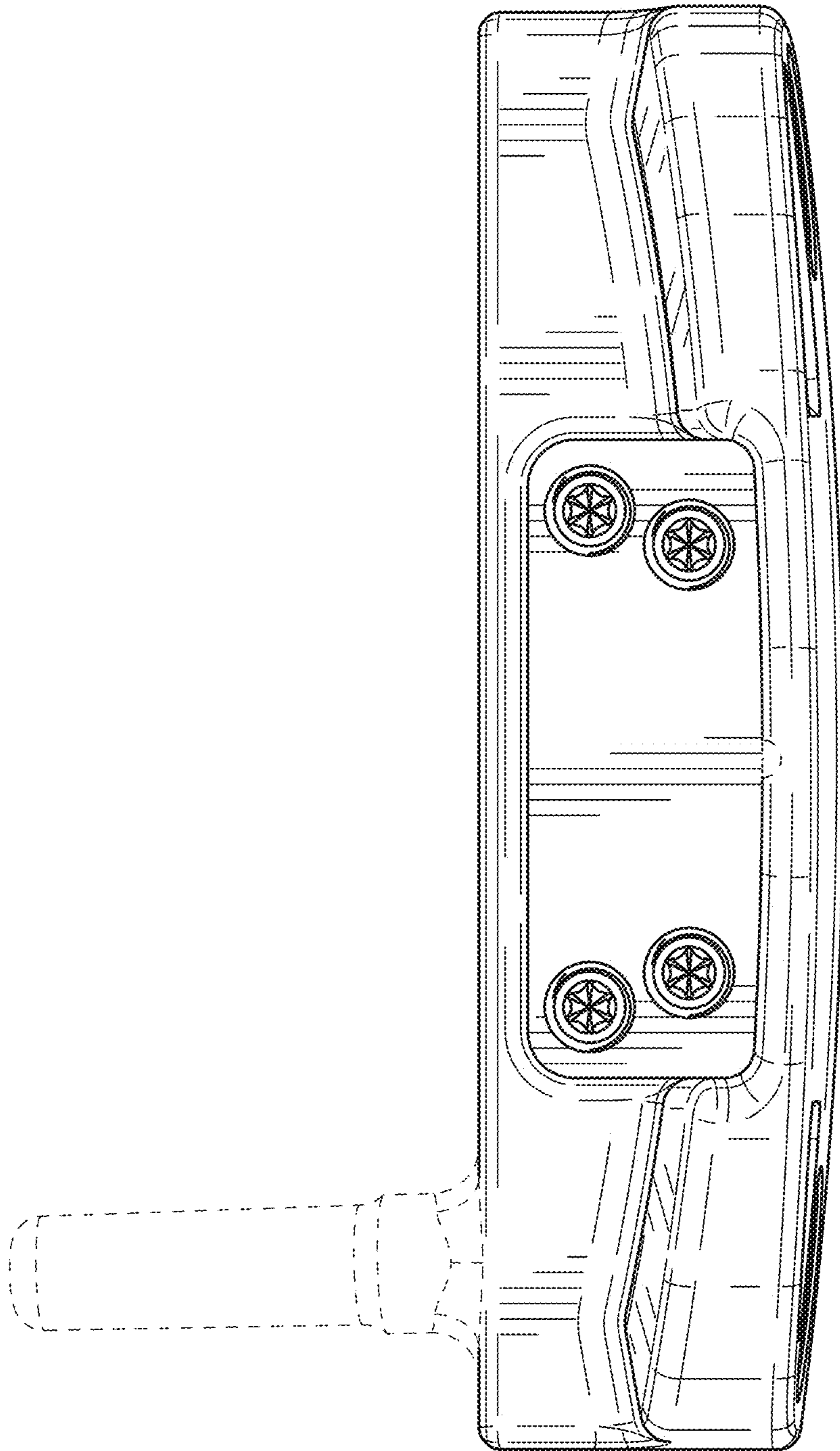


FIG. 12

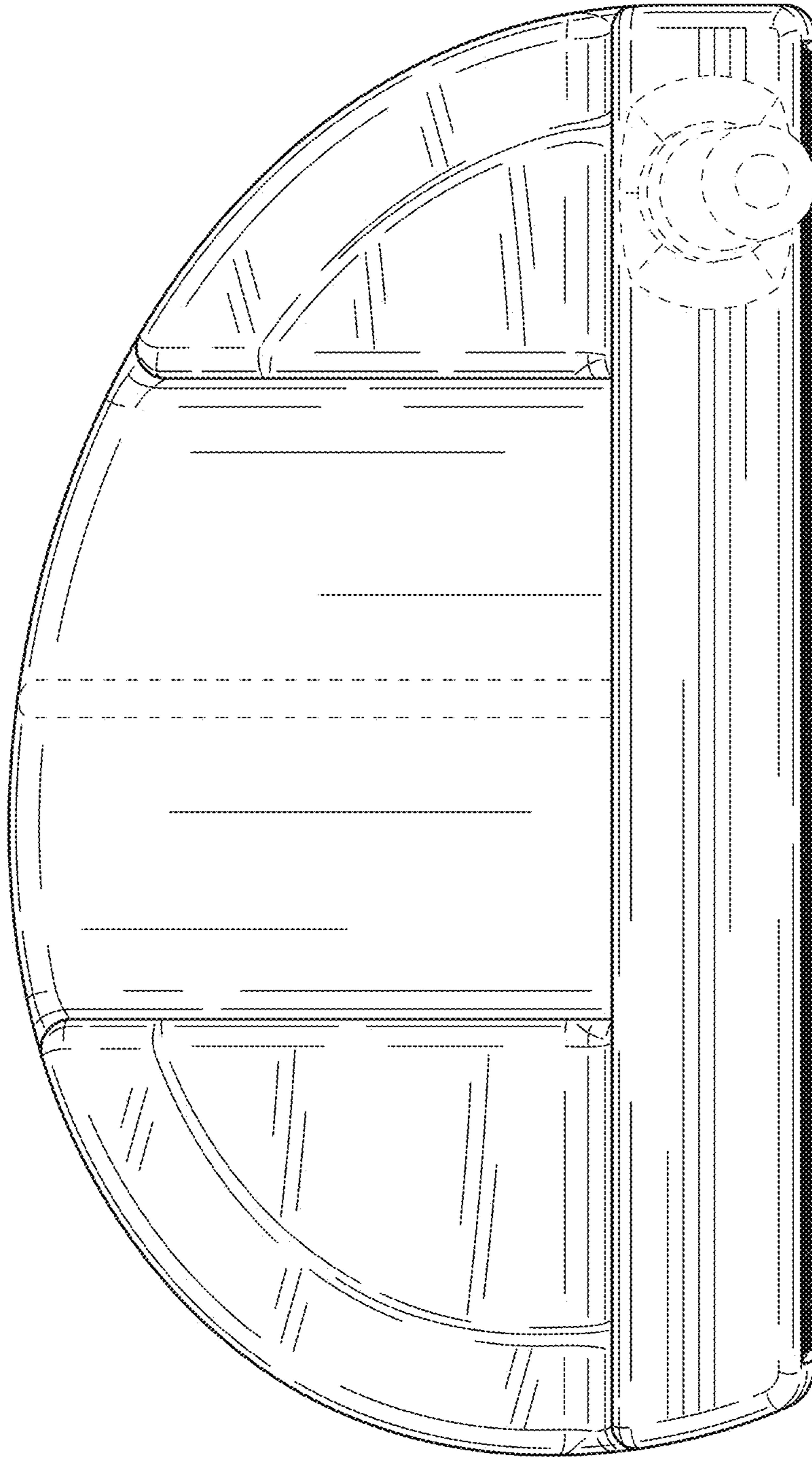


FIG. 13

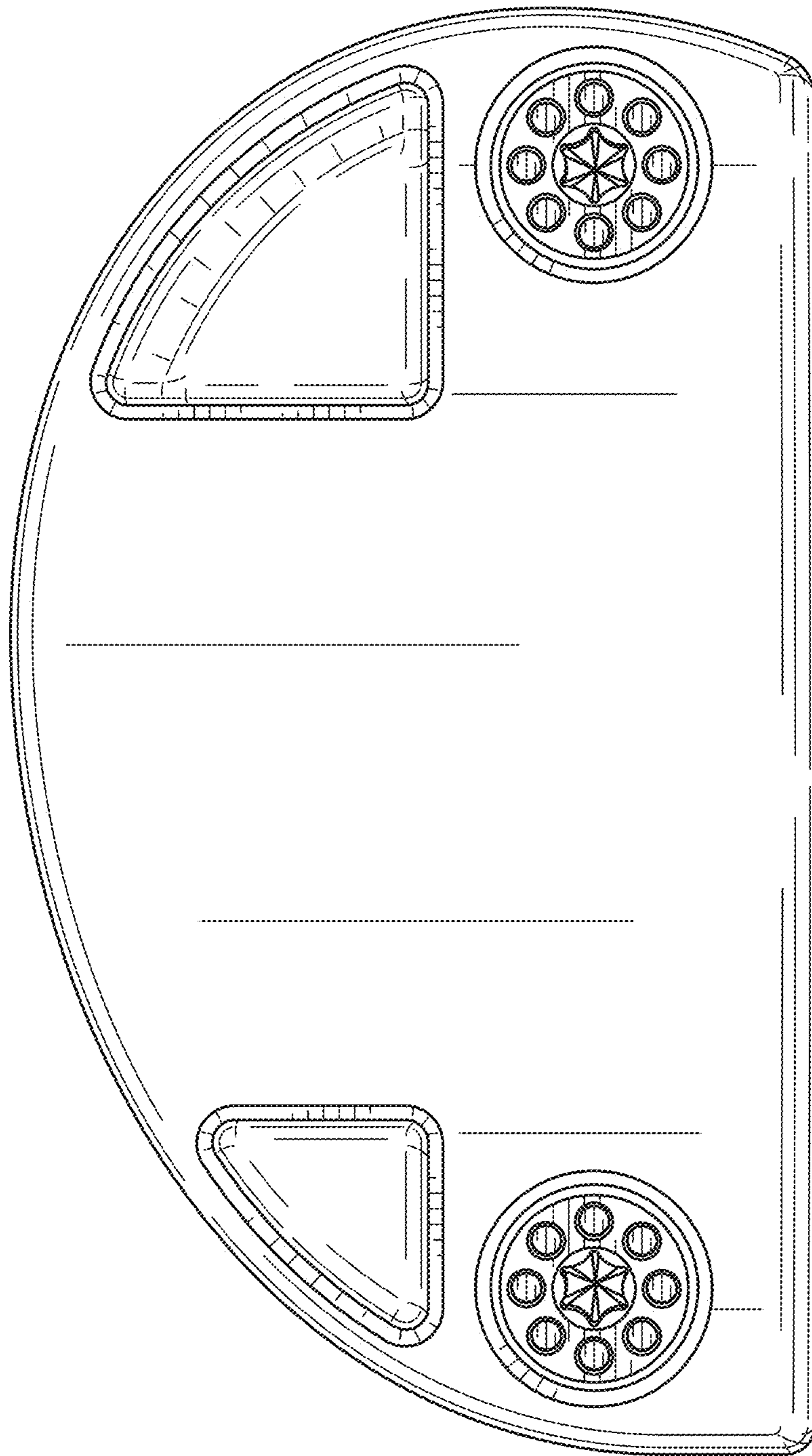


FIG. 14

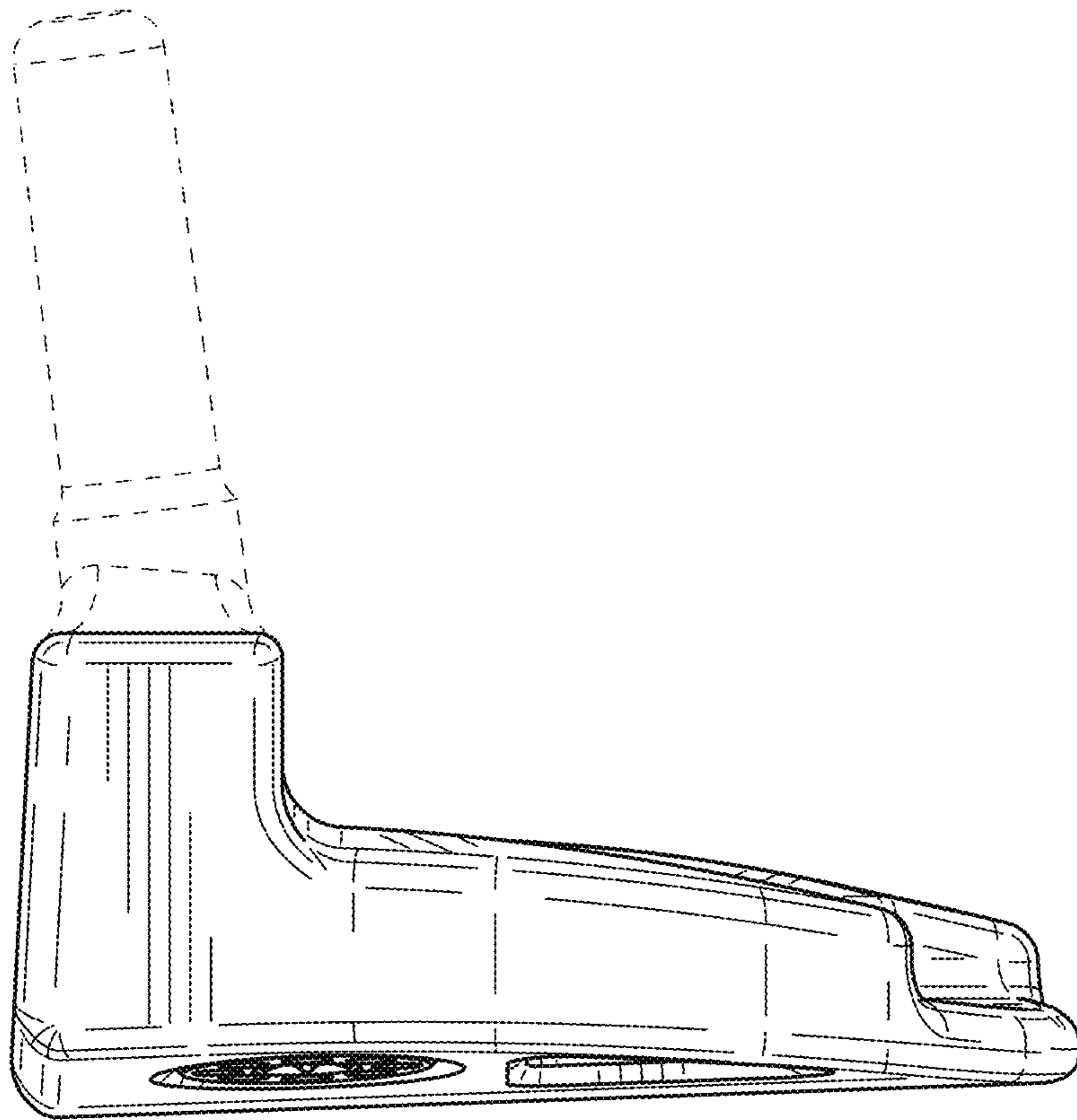


FIG. 15

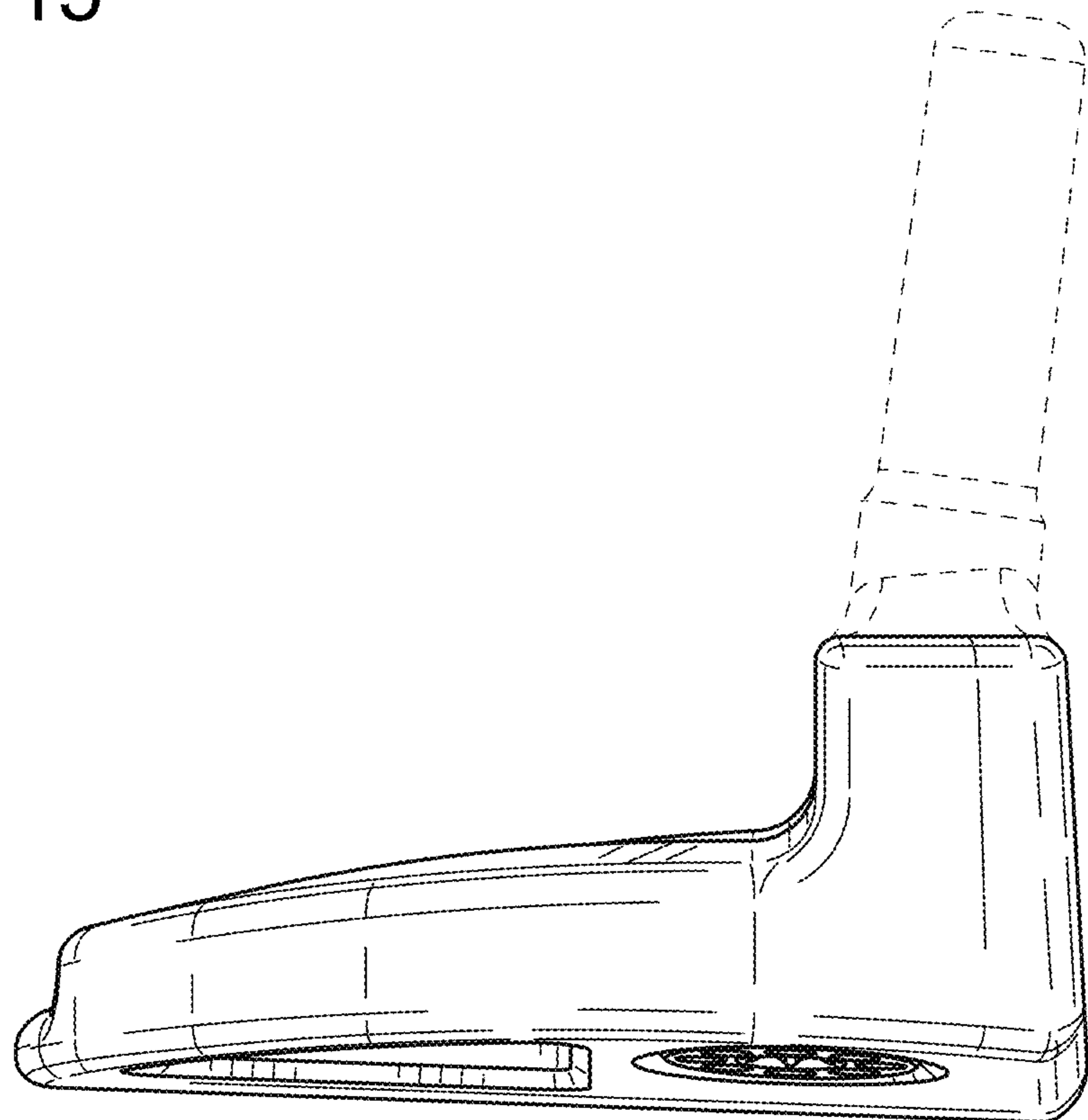


FIG. 16