



US00D896901S

(12) **United States Design Patent**
Jones

(10) **Patent No.:** **US D896,901 S**

(45) **Date of Patent:** **** Sep. 22, 2020**

(54) **WEIGHT PLATE**

(71) Applicant: **Coulter Ventures, LLC**, Columbus, OH (US)

(72) Inventor: **Dylan Jones**, Santa Barbara, CA (US)

(73) Assignee: **Coulter Ventures, LLC.**, Columbus, OH (US)

(**) Term: **15 Years**

(21) Appl. No.: **29/672,555**

(22) Filed: **Dec. 6, 2018**

(51) **LOC (12) Cl.** **20-02**

(52) **U.S. Cl.**
USPC **D21/681**; D21/680

(58) **Field of Classification Search**
USPC D12/175, 202, 204, 207, 604; D21/662, D21/680-682, 684; D25/113-118, 138, D25/151
CPC A63B 21/0608; A63B 21/0728; A63B 21/075; A63B 21/06
See application file for complete search history.

(56) **References Cited**

U.S. PATENT DOCUMENTS

354,322 A	12/1886	Vodhanel, Jr.
355,007 A	12/1886	Rojas et al.
394,685 A	12/1888	Eckmann
405,484 A	6/1889	Rojas et al.
406,183 A	7/1889	Zovich
409,266 A	8/1889	Rojas et al.
409,695 A	8/1889	Rojas et al.
421,076 A	2/1890	Lincir
424,140 A	3/1890	Lincir
424,639 A	4/1890	Rojas et al.
428,947 A	5/1890	Harms et al.
433,468 A	8/1890	Rojas et al.
433,469 A	8/1890	Rojas et al.
433,720 A	8/1890	Rojas et al.

433,721 A	8/1890	Rojas et al.
434,090 A	8/1890	Wallace et al.
437,015 A	9/1890	Rojas et al.
439,290 A	10/1890	Rojas et al.
441,412 A	11/1890	Rojas et al.
441,812 A	12/1890	Rojas et al.
442,239 A	12/1890	Rojas et al.

(Continued)

FOREIGN PATENT DOCUMENTS

CN	2512467 Y	9/2002
ES	1038081 U	5/1998

OTHER PUBLICATIONS

BodyRip Premium Pro (2x10kg) Olympic Tri-Grip Rubber Plates: Published Mar. 24, 2014 [online], site visited Dec. 1, 2019. Available from Internet URL: https://www.amazon.co.uk/dp/B00J7S8ZGC/ref=cm_sw_r_tw_dp_U_x_Xof5DbXRFZ5AC (Year: 2014).*

(Continued)

Primary Examiner — Jack Reickel

Assistant Examiner — Melvin L Davis

(74) *Attorney, Agent, or Firm* — Banner & Witcoff, Ltd.

(57) **CLAIM**

The ornamental design for a weight plate, as shown and described.

DESCRIPTION

FIG. 1 is a front perspective view of a weight plate showing my new design;

FIG. 2 is a rear perspective view thereof;

FIG. 3 is a front view thereof;

FIG. 4 is a rear view thereof;

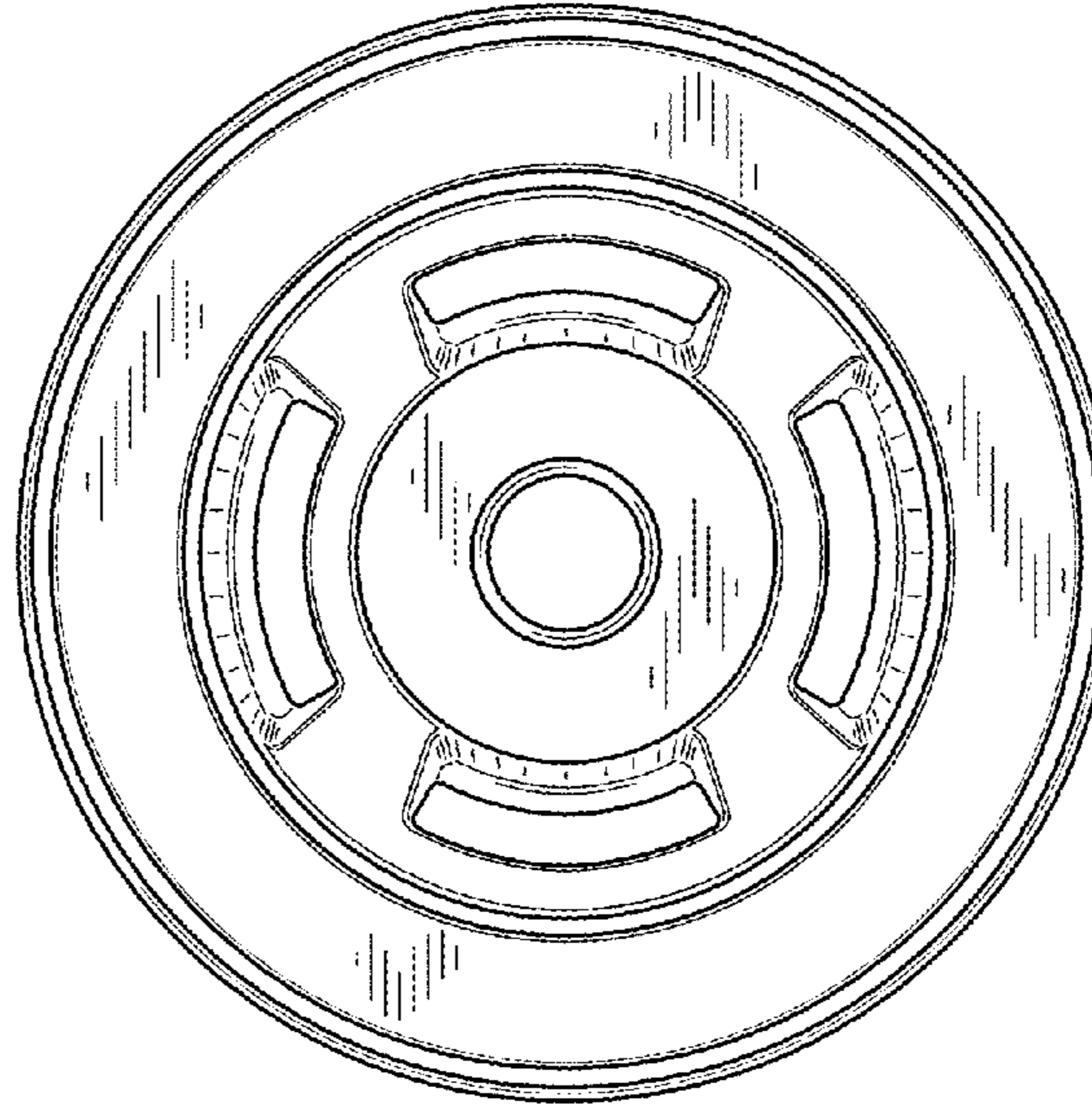
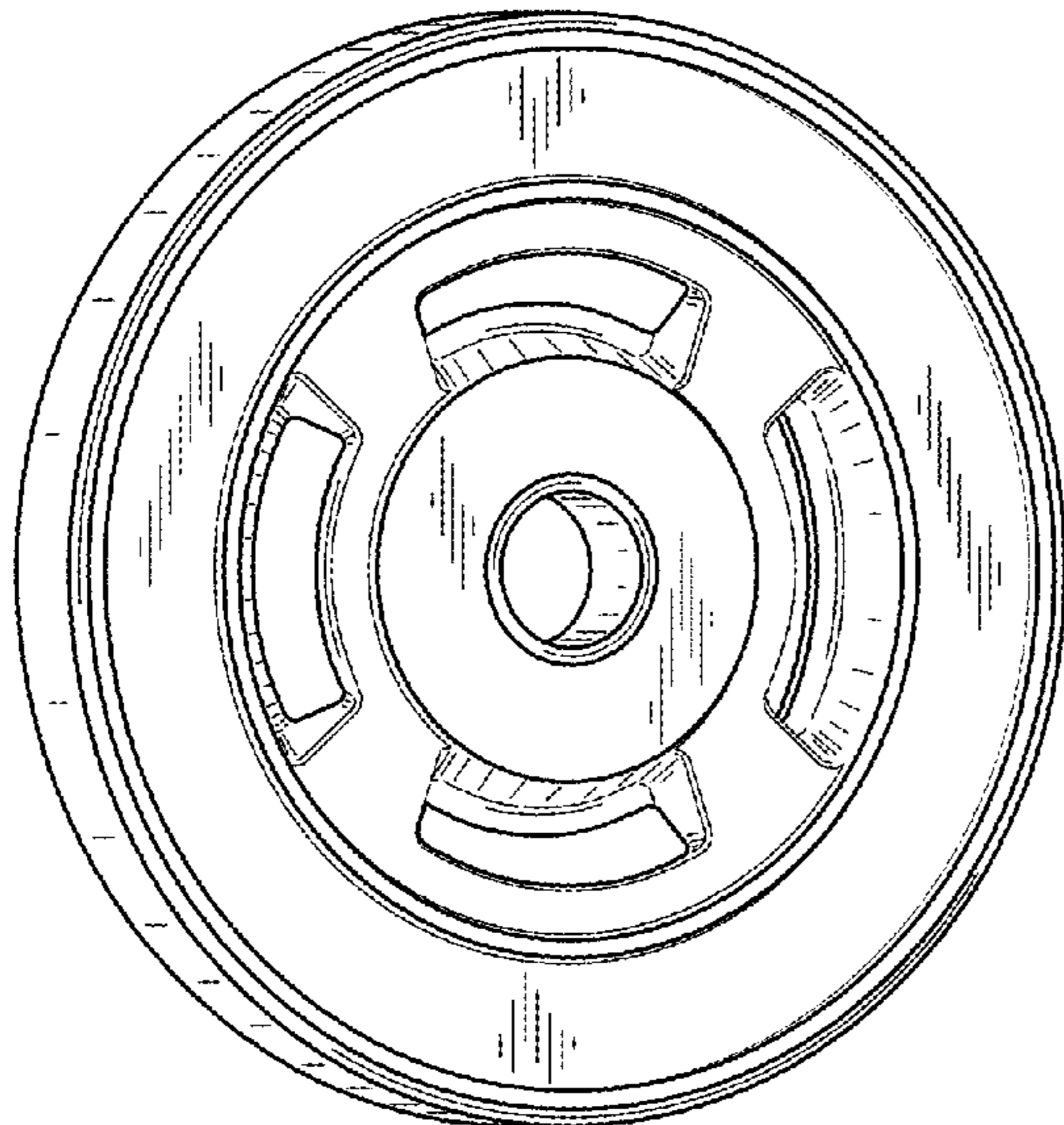
FIG. 5 is a right side view thereof;

FIG. 6 is a left side view thereof;

FIG. 7 is a top view thereof; and,

FIG. 8 is a bottom view thereof.

1 Claim, 3 Drawing Sheets



(56)

References Cited

U.S. PATENT DOCUMENTS

442,240 A 12/1890 Rojas et al.
 445,153 A 1/1891 Lincir
 445,154 A 1/1891 Lincir
 445,854 A 2/1891 Harms et al.
 446,265 A 2/1891 Lincir
 446,559 A 2/1891 Lincir
 448,055 A 3/1891 Lien et al.
 450,361 A 4/1891 Harms et al.
 451,158 A 4/1891 Lincir
 451,159 A 4/1891 Rojas et al.
 451,160 A 4/1891 Rojas et al.
 454,167 A 6/1891 Lincir
 463,001 A 11/1891 Buchanan
 474,517 A 5/1892 Harms
 476,383 A 6/1892 Chen
 483,083 A 9/1892 Allshouse et al.
 502,514 A 8/1893 Buchanan et al.
 516,639 A 3/1894 Hamilton
 562,415 A 6/1896 Xu et al.
 562,919 A 6/1896 Hillson
 566,207 A 8/1896 Cao
 566,208 A 8/1896 Alessandri et al.
 566,209 A 8/1896 Alessandri et al.
 568,423 A 9/1896 Y'shua et al.
 572,320 A 12/1896 Davies, III
 573,207 A 12/1896 Davies, III
 573,208 A 12/1896 Davies, III
 606,133 A 6/1898 Lien
 615,605 A 12/1898 Frasco et al.
 639,874 A 12/1899 Hillson
 643,075 A 2/1900 Childs
 662,558 A 11/1900 Lovegrove et al.
 673,230 A 4/1901 Qin
 684,224 A 10/1901 Davies, III
 688,759 A 12/1901 Davies, III
 722,348 A 3/1903 Kessler
 749,177 A 1/1904 Childs
 751,157 A 2/1904 Irwin et al.
 777,266 A 12/1904 Davies, III
 798,968 A 9/1905 Lien
 5,137,502 A 8/1992 Anastasi
 6,014,078 A 1/2000 Rojas et al.
 D428,947 S 8/2000 Harms et al.
 D434,090 S * 11/2000 Wallace D21/680
 D445,154 S * 7/2001 Lincir D21/680
 D445,854 S 7/2001 Harms et al.
 D446,559 S 8/2001 Lincir
 D450,361 S 11/2001 Harms et al.
 6,319,176 B1 * 11/2001 Landfair A63B 21/06
 482/106
 D454,167 S * 3/2002 Lincir D21/680
 6,436,015 B1 8/2002 Frasco et al.
 D474,517 S * 5/2003 Harms D21/680
 D476,383 S * 6/2003 Chen D21/680
 D483,083 S * 12/2003 Allshouse D21/680
 6,702,723 B2 3/2004 Landfair
 6,736,765 B2 5/2004 Wallace et al.
 6,746,380 B2 * 6/2004 Lien A63B 21/06
 482/106
 6,991,590 B2 1/2006 Vigiano
 7,198,591 B2 4/2007 Lien
 7,207,929 B2 4/2007 Hamilton
 7,300,389 B2 11/2007 Lien et al.
 D562,919 S * 2/2008 Hillson D21/680
 D566,208 S * 4/2008 Alessandri D21/681
 D566,209 S * 4/2008 Alessandri D21/681
 D573,208 S * 7/2008 Davies, III D21/680
 7,517,305 B2 4/2009 Lien
 7,704,196 B2 4/2010 Lien et al.
 7,828,702 B2 11/2010 Lien et al.
 D639,874 S 6/2011 Hillson
 D660,928 S 5/2012 Guarrasi

D673,230 S * 12/2012 Qin D21/680
 D684,224 S * 6/2013 Davies, III D21/680
 D692,969 S 11/2013 Davies, III
 D732,613 S 6/2015 Davies, III
 D749,177 S * 2/2016 Childs D21/682
 D751,157 S * 3/2016 Irwin D21/680
 D771,205 S 11/2016 Davies, III
 D777,266 S * 1/2017 Davies, III D21/680
 D798,968 S * 10/2017 Lien D21/680
 D802,689 S * 11/2017 Lien D21/682
 10,040,259 B2 8/2018 Lister et al.
 D831,134 S 10/2018 Hillson
 D842,399 S * 3/2019 Arceta D21/680
 D842,941 S * 3/2019 Brezovar D21/680
 D851,711 S * 6/2019 Brezovar D21/680
 D854,636 S 7/2019 Nelson
 2003/0083179 A1 5/2003 Landfair
 2004/0077466 A1 4/2004 Wallace et al.
 2004/0092370 A1 5/2004 Lincir
 2005/0026754 A1 2/2005 Lien et al.
 2006/0073948 A1 4/2006 Lincir
 2006/0293155 A1 12/2006 Hamilton
 2007/0027007 A1 2/2007 Frasco
 2007/0142188 A1 6/2007 Lien
 2007/0184943 A1 8/2007 Davies
 2012/0094810 A1 4/2012 Anderson
 2014/0024504 A1 1/2014 Potts et al.
 2017/0149269 A1 5/2017 Rojas et al.

OTHER PUBLICATIONS

Ignite by Spri Weight Plates: Published 2017[online], site visited Dec. 1, 2019. Available from Internet URL: https://www.amazon.com/dp/B001F1Y17G/ref=cm_sw_r_tw_dp_U_x_MSN7DbQ7T67H8 (Year: 2017).*

Body Solid Rubber Grip Olympic Weight Plates (ORST255) Body-Solid: Published Feb. 2, 2009[online], site visited Dec. 1, 2019. Available from Internet URL: https://www.amazon.com/dp/B001F1Y17G/ref=cm_sw_r_tw_dp_U_x_MSN7DbQ7T67H8 (Year: 2009).*

Product listing for CAP 12-sided Olympic Rubber Coated Grip Plate from <https://web.archive.org/web/20170621232634/http://capbarbell.com/cap-barbell-12-sided-2-rubber-grip-plate/>, dated Jun. 21, 2017.

Product listing for Rogue 6-Shooter Urethane Olympic Grip Plates from <https://web.archive.org/web/20170714033025/http://www.roguefitness.com:80/rogue-6-shooter-urethane-olympic-grip-plates>, dated Jul. 14, 2017.

CAP Barbell Weight Plates listing from <https://web.archive.org/web/20180103173524/http://capbarbell.com/strength/weight-plates>, dated Jan. 3, 2018.

Viavito Tri Grip Vinyl Standard Weight Plates: Published Mar. 17, 2016 [online], site visited Dec. 1, 2019. Available from Internet URL: https://www.amazon.co.uk/dp/B01D3U5RXI/ref=cm_sw_r_tw_dp_U_x_epf5Db1B78TVQ (Year: 2016).

Bodypower 10kg Tri Grip Vinyl Standard (1 Inch) Weight Disc Plates: Published Jun. 10, 2013 [online], site visited Dec. 1, 2019. Available from Internet URL: https://www.amazon.co.uk/dp/B00E4WH2NS/ref=cm_sw_r_tx_dp_U_x_Fpf5DbMHT60MN (Year: 2013).

BodyRip Olympic Polygonal Weight Plates: Published Feb. 3, 2015 [online], site visited Dec. 1, 2019. Available from Internet URL: https://www.amazon.co.uk/dp/B00T4GM5W2/ref=cm_sw_r_tw_dp_U_x_ASg5DbMR69J5P (Year: 2015).

BodyRip Polygonal Weight Plates 1 x 10kg BodyRip: Published Feb. 7, 2014 [online], site visited Dec. 1, 2019. Available from Internet URL: https://www.amazon.co.uk/dp/B00IARQAWW/ref=cm_sw_r_tw_dp_U_x_51f5DbXR685AX (Year: 2014).

Mar. 10, 2020 (WO) International Search Report & Written Opinion PCT/US2019/064237.

* cited by examiner

FIG. 1

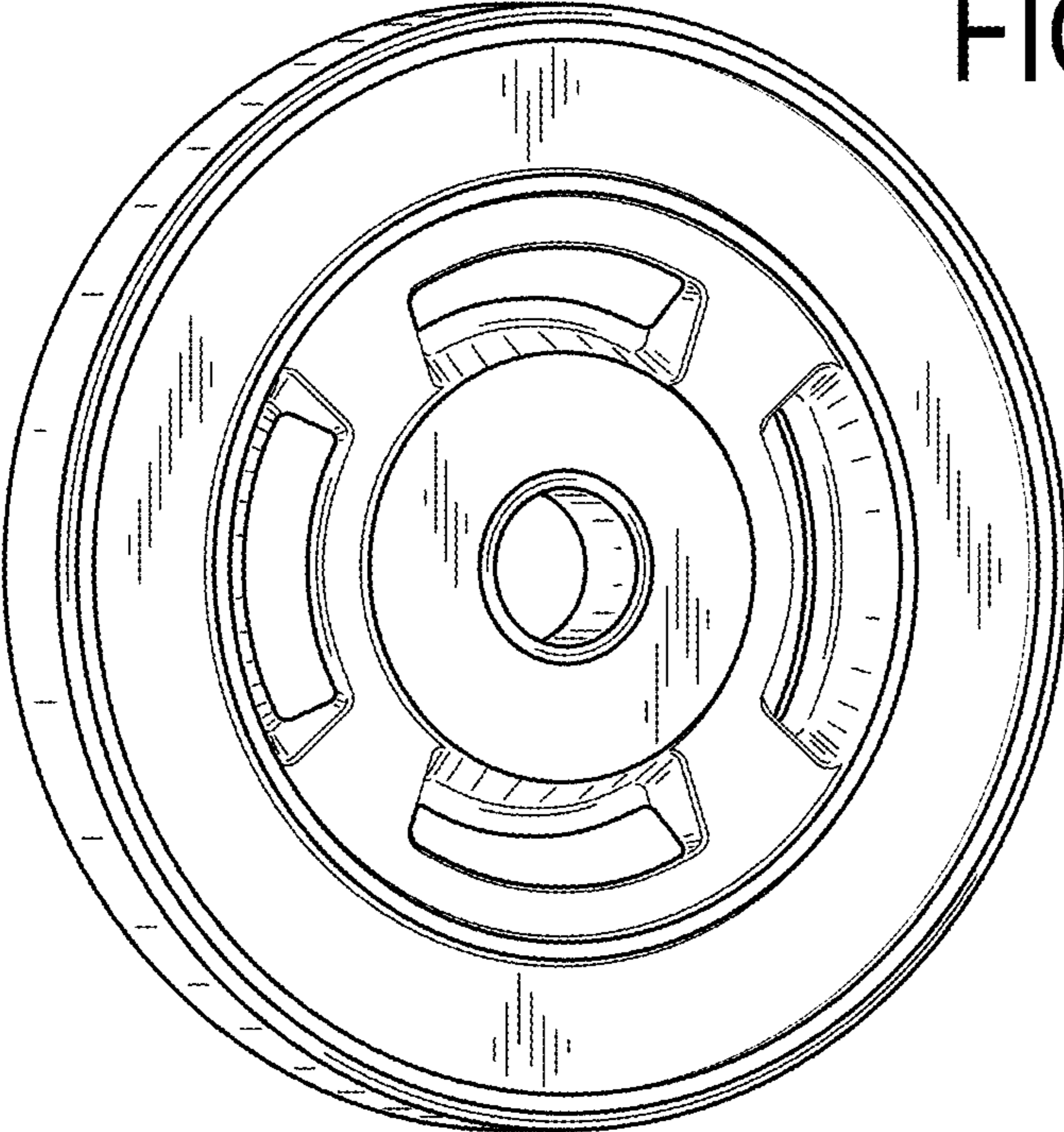


FIG. 2

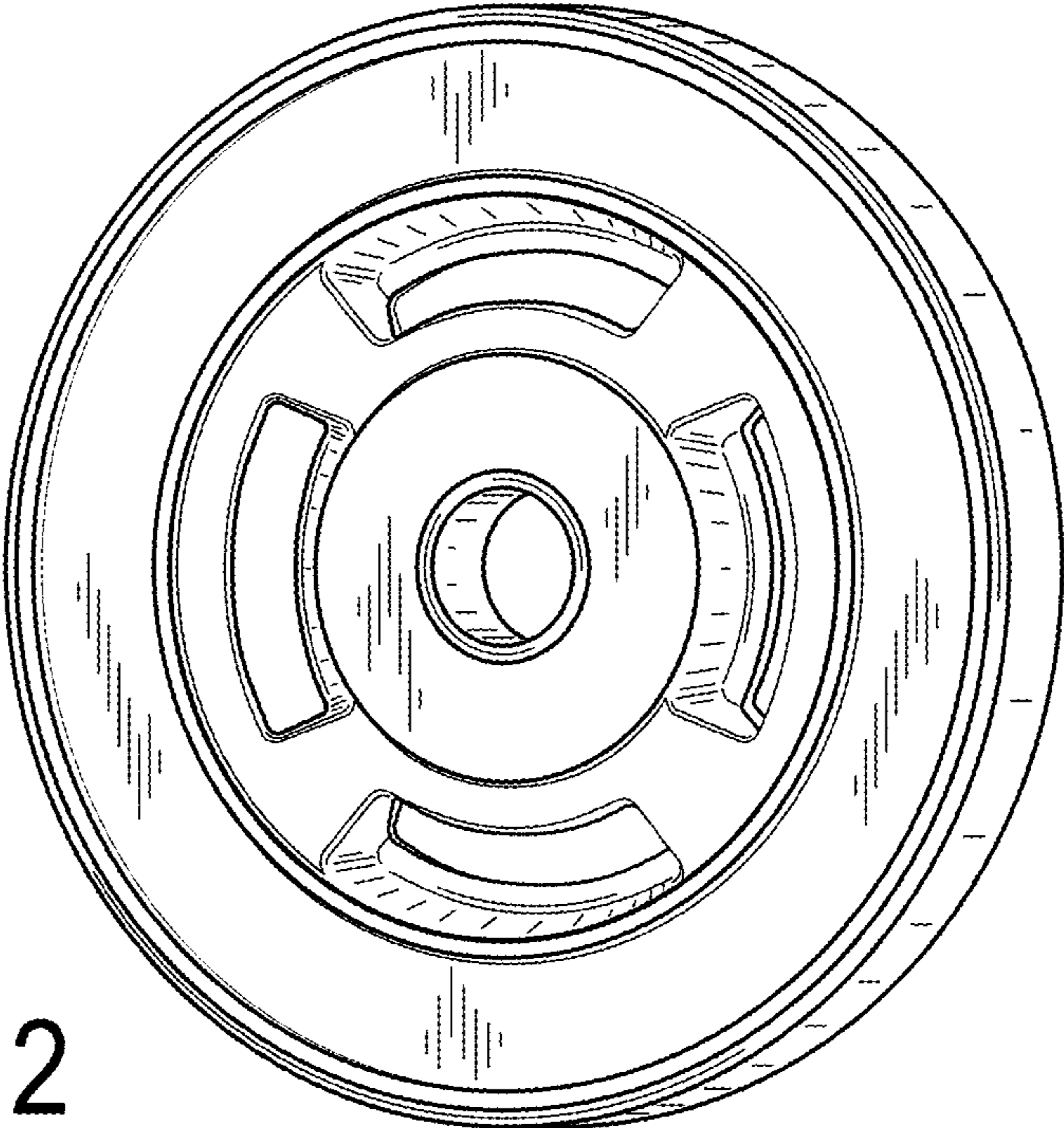


FIG. 3

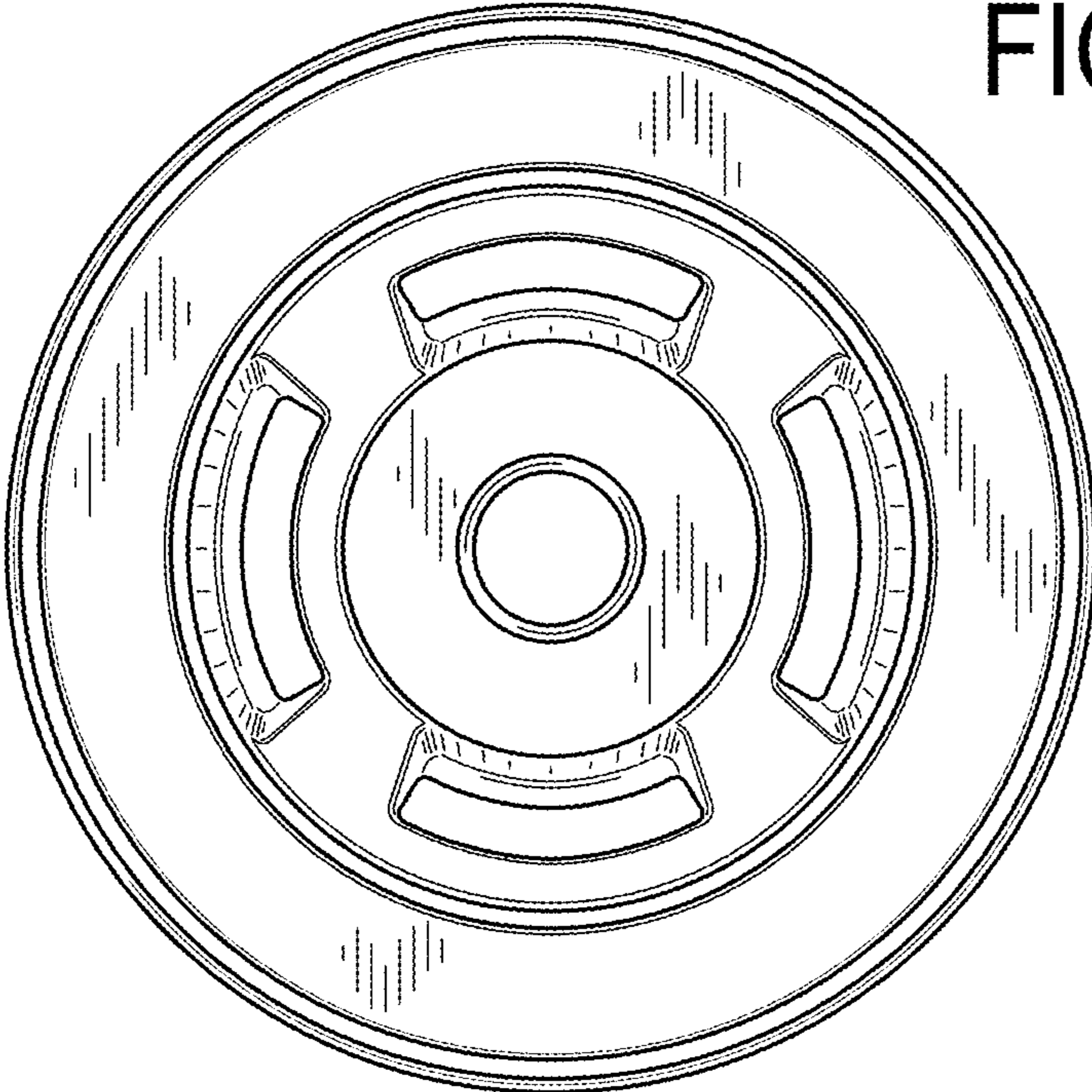


FIG. 4

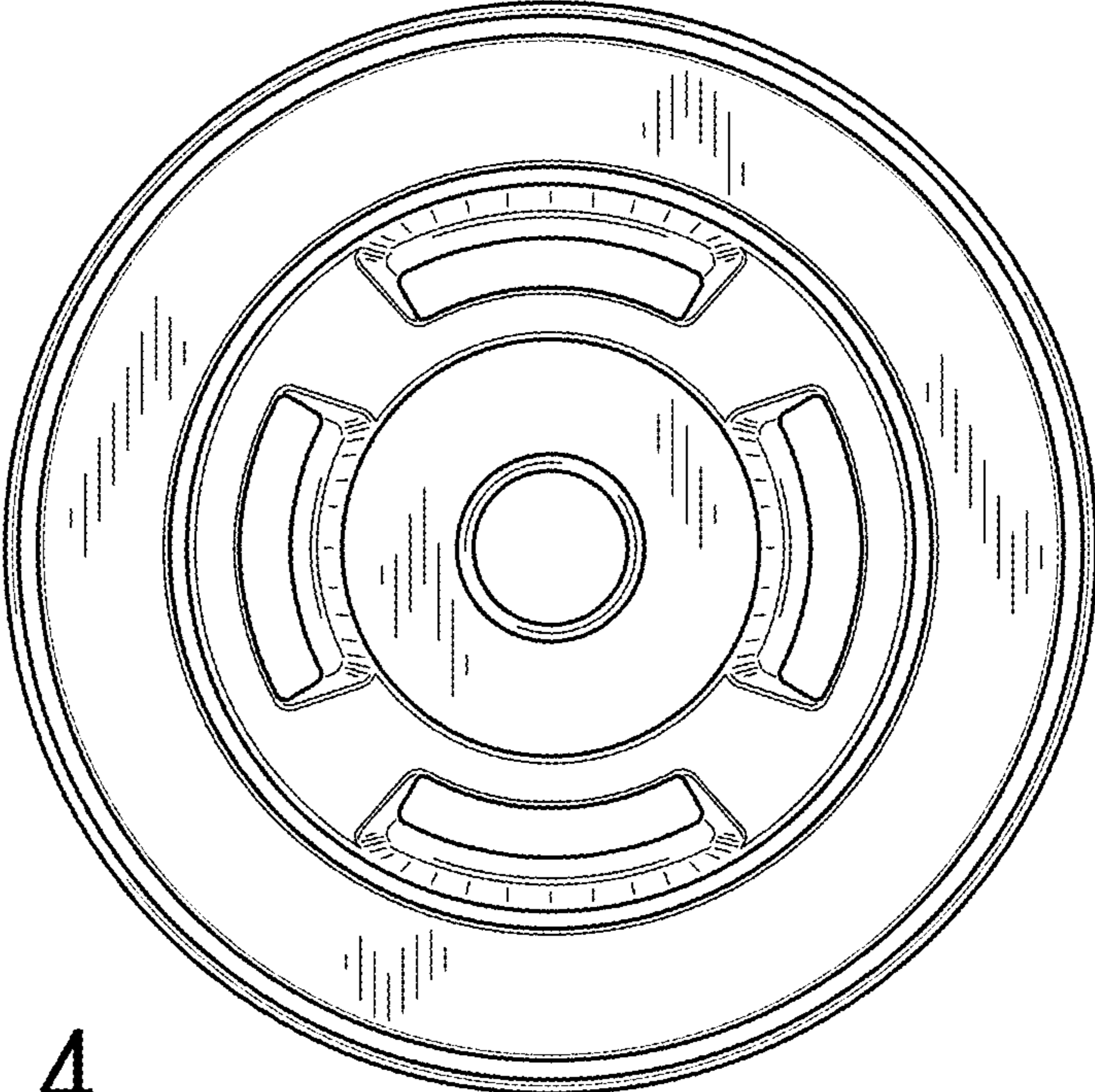




FIG. 5

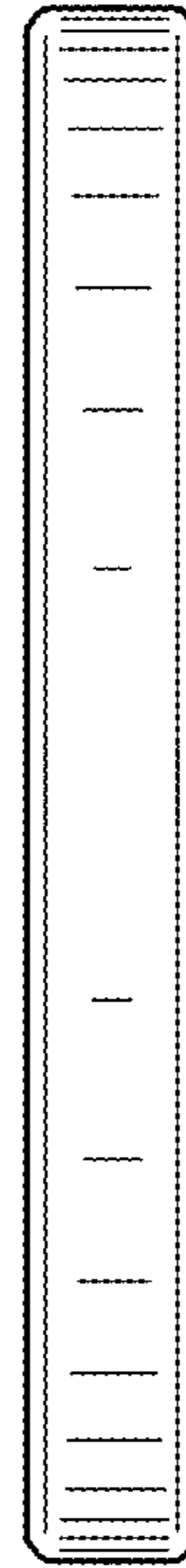


FIG. 6

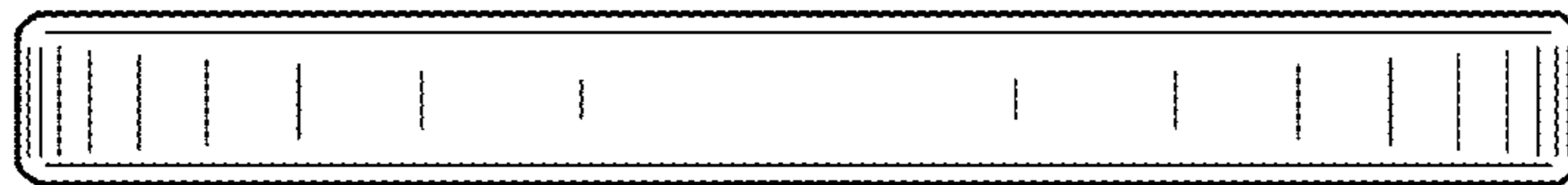


FIG. 7

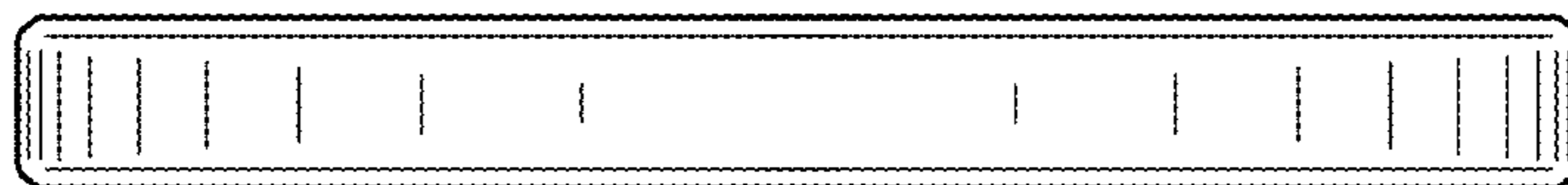


FIG. 8