



US00D896900S

(12) **United States Design Patent** (10) **Patent No.:** **US D896,900 S**
Wang (45) **Date of Patent:** **** Sep. 22, 2020**

(54) KETTLEBELL	7,762,933 B1 *	7/2010	Yu	A63B 21/072 482/107
(71) Applicant: BETO ENGINEERING AND MARKETING CO., LTD., Taichung (TW)	D644,701 S *	9/2011	Towley, III	D21/681
	D651,672 S *	1/2012	Towley, III	D21/681
	D652,877 S *	1/2012	Dalebout	D21/682
	D664,613 S *	7/2012	Dalebout	D21/682
(72) Inventor: Lopin Wang, Taichung (TW)	D692,509 S *	10/2013	Kessler	D21/682
	9,022,906 B1 *	5/2015	Nelson	A63B 21/4043 482/108
(73) Assignee: BETO ENGINEERING AND MARKETING CO., LTD., Taichung (TW)	9,731,159 B2 *	8/2017	Reynolds	A63B 21/0722
	D796,592 S *	9/2017	Towley	D21/682
	D804,592 S *	12/2017	Wittmack	D21/681
	10,099,083 B1 *	10/2018	Owusu	A63B 21/072
(**) Term: 15 Years	D843,511 S *	3/2019	Harrison	D21/682
	10,420,978 B2 *	9/2019	Wang	A63B 21/075
(21) Appl. No.: 29/703,697	D879,888 S *	3/2020	Flick	D21/680
	D879,891 S *	3/2020	Sundblad	D21/694
(22) Filed: Aug. 29, 2019	D888,848 S *	6/2020	Owusu	D21/680
	10,695,614 B2 *	6/2020	Owusu	A63B 24/0087
	2006/0035767 A1 *	2/2006	Ekhaus	A63B 21/0601 482/108

(30) **Foreign Application Priority Data**

Jul. 26, 2019 (TW) 108304490

(51) **LOC (12) Cl.** **21-02**

(52) **U.S. Cl.**
USPC **D21/680**

(58) **Field of Classification Search**
USPC 482/93, 55, 51, 44, 110, 109, 108, 107,
482/106; D9/532; D8/75; D30/160;
D23/304; D21/682, 684, 686, 692, 695,
D21/681, 680, 662; D11/81
CPC . A63B 21/072; A63B 21/075; A63B 21/4035;
A63B 21/0726; A63B 21/0728; A63B
21/0004; A63B 21/4043; A63B 21/00065
See application file for complete search history.

(56) **References Cited**

U.S. PATENT DOCUMENTS

D522,594 S *	6/2006	Donahue	D21/682
D522,595 S *	6/2006	Donahue	D21/682
7,563,208 B1 *	7/2009	Chen	A63B 21/0728 482/108

(Continued)

Primary Examiner — Ryan Harvey

(74) *Attorney, Agent, or Firm* — Muncy, Geissler, Olds & Lowe, P.C.

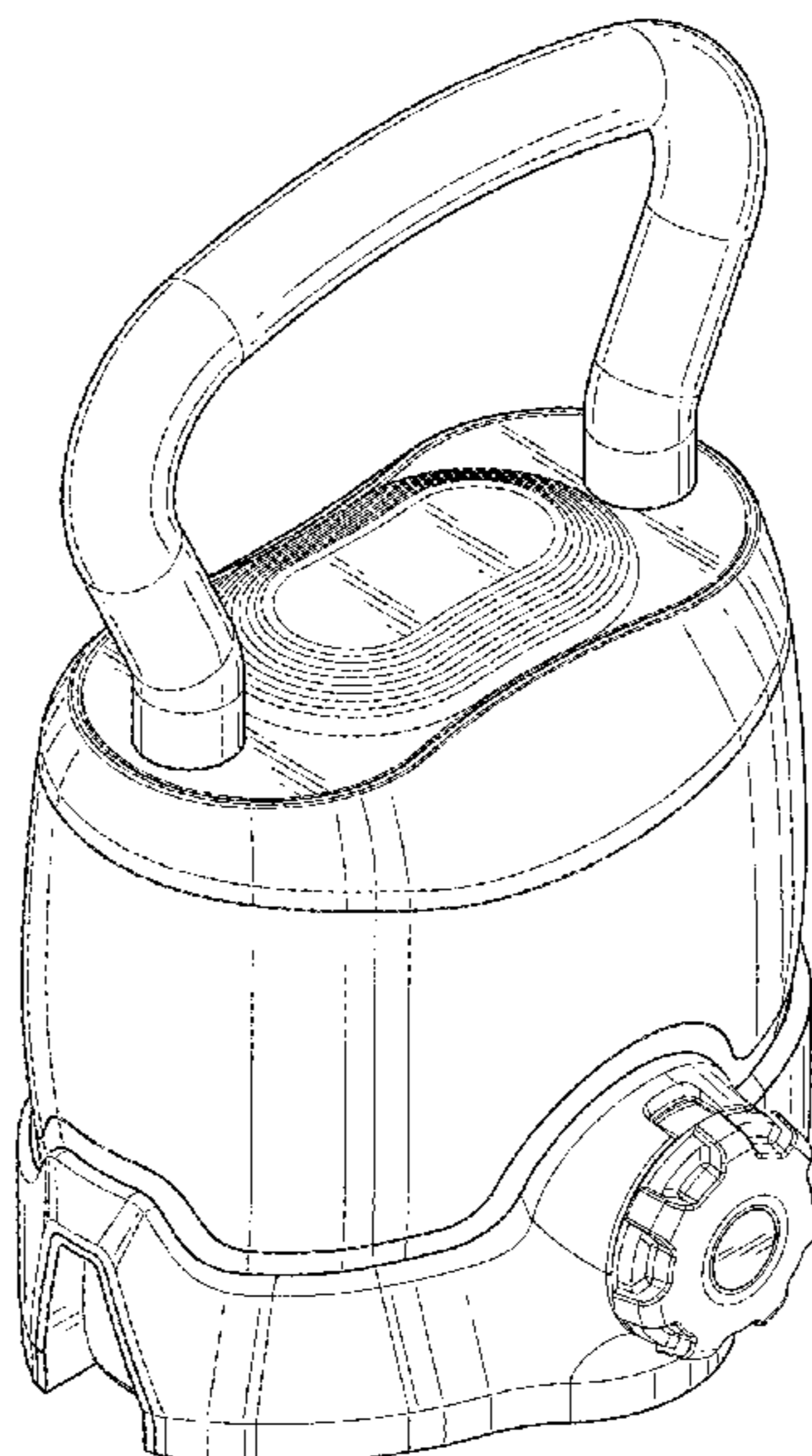
(57) **CLAIM**

The ornamental design for a kettlebell, as shown and described.

DESCRIPTION

FIG. 1 is a perspective view of a kettlebell showing my new design;
FIG. 2 is a front elevational view thereof;
FIG. 3 is a rear elevational view thereof;
FIG. 4 is a left side elevational view thereof;
FIG. 5 is a right side elevational view thereof;
FIG. 6 is a top plan view thereof; and,
FIG. 7 is a bottom plan view thereof.

1 Claim, 6 Drawing Sheets



US D896,900 S

Page 2

(56)

References Cited

U.S. PATENT DOCUMENTS

2007/0135274	A1*	6/2007	Blateri	A63B 21/075 482/109	2013/0040789	A1*	2/2013	Kessler	A63B 21/072 482/108
2008/0081744	A1*	4/2008	Gormley	A63B 21/072 482/93	2013/0210589	A1*	8/2013	Thompson	A63B 21/0726 482/108
2009/0062085	A1*	3/2009	Polevoy	A63B 21/075 482/93	2014/0024506	A1*	1/2014	Vixathep	A63B 21/072 482/108
2010/0120588	A1*	5/2010	Krull	A63B 21/075 482/93	2015/0105224	A1*	4/2015	Odneal	A63B 21/0722 482/107
2010/0190619	A1*	7/2010	Chen	A63B 21/0728 482/108	2015/0196792	A1*	7/2015	Towley	A63B 21/00065 482/93
2010/0331151	A1*	12/2010	Signorile	A63B 21/0728 482/93	2015/0231440	A1*	8/2015	Nelson	A63B 21/075 482/108
2011/0263392	A1*	10/2011	Yu	A63B 21/072 482/93	2017/0225025	A1*	8/2017	Towley	A63B 21/075
2011/0275494	A1*	11/2011	Radi	A63B 21/072 482/93	2017/0259105	A1*	9/2017	Pawlas	A63B 21/072
2012/0252641	A1*	10/2012	Odneal	A63B 21/0728 482/108	2018/0117387	A1*	5/2018	Wang	A63B 21/072
					2018/0169460	A1*	6/2018	Chen	A63B 21/075
					2019/0217146	A1*	7/2019	Sisler	A63B 1/00
					2019/0240526	A1*	8/2019	Owusu	A63B 21/0726

* cited by examiner

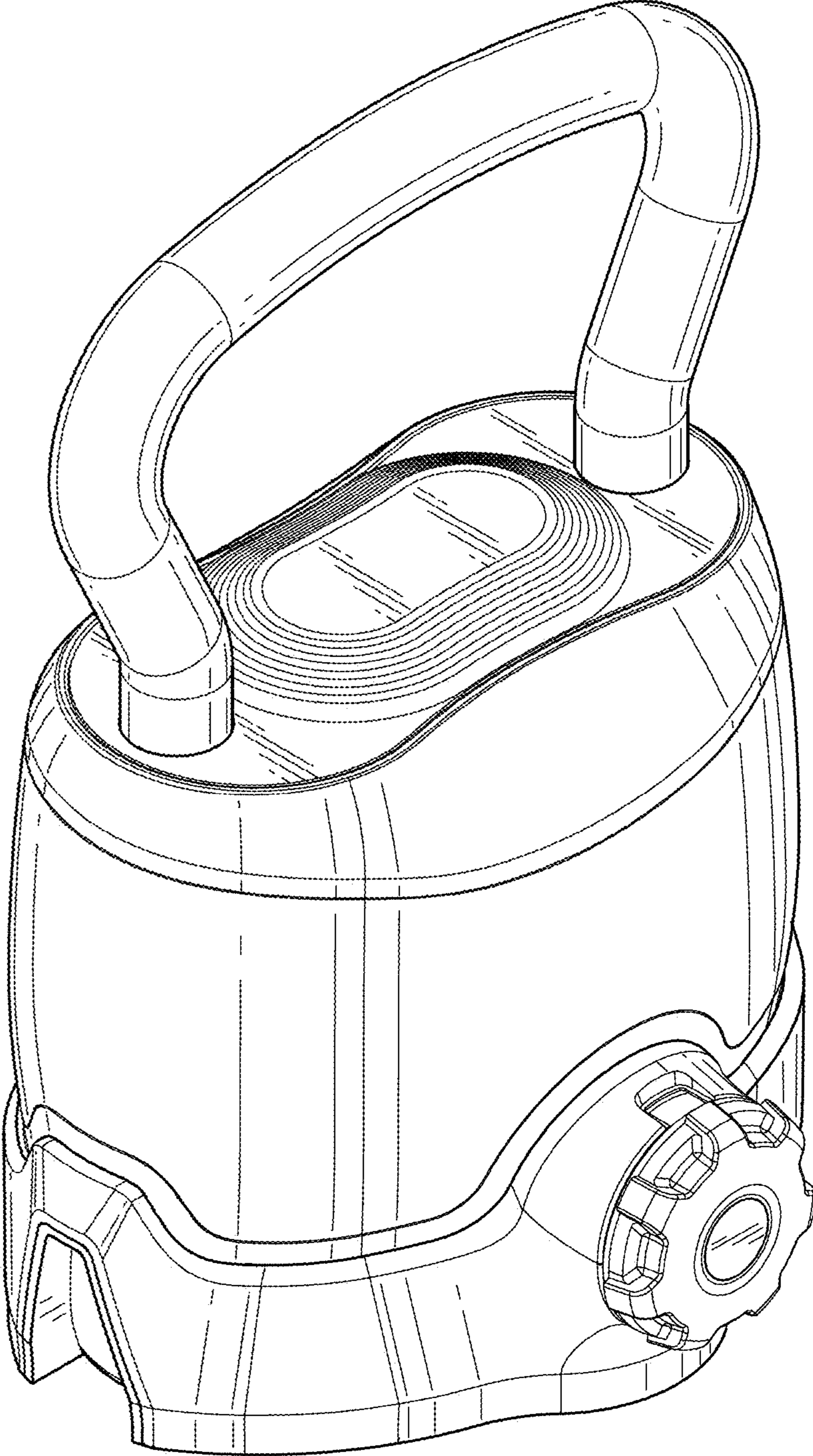


FIG.1

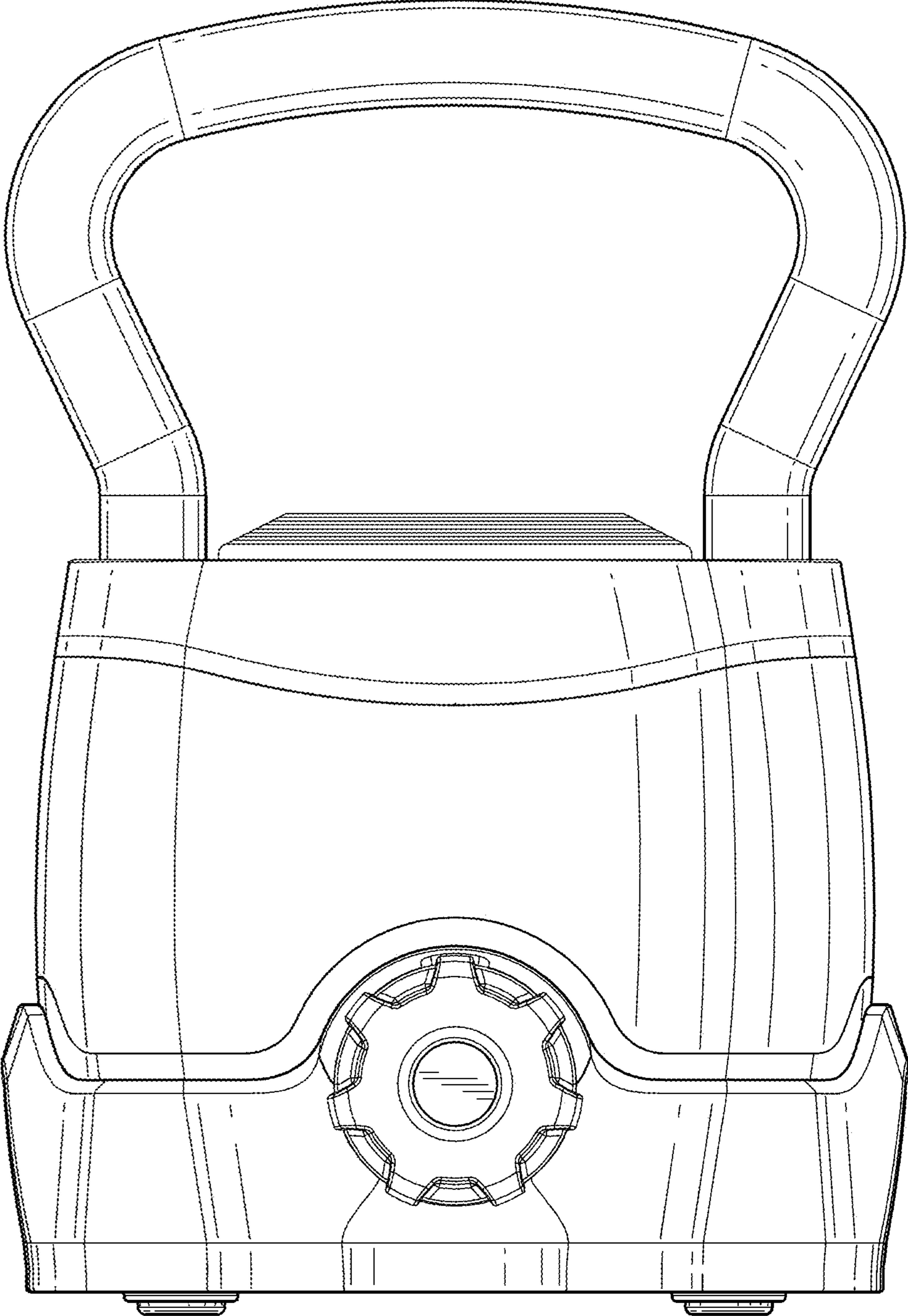


FIG. 2

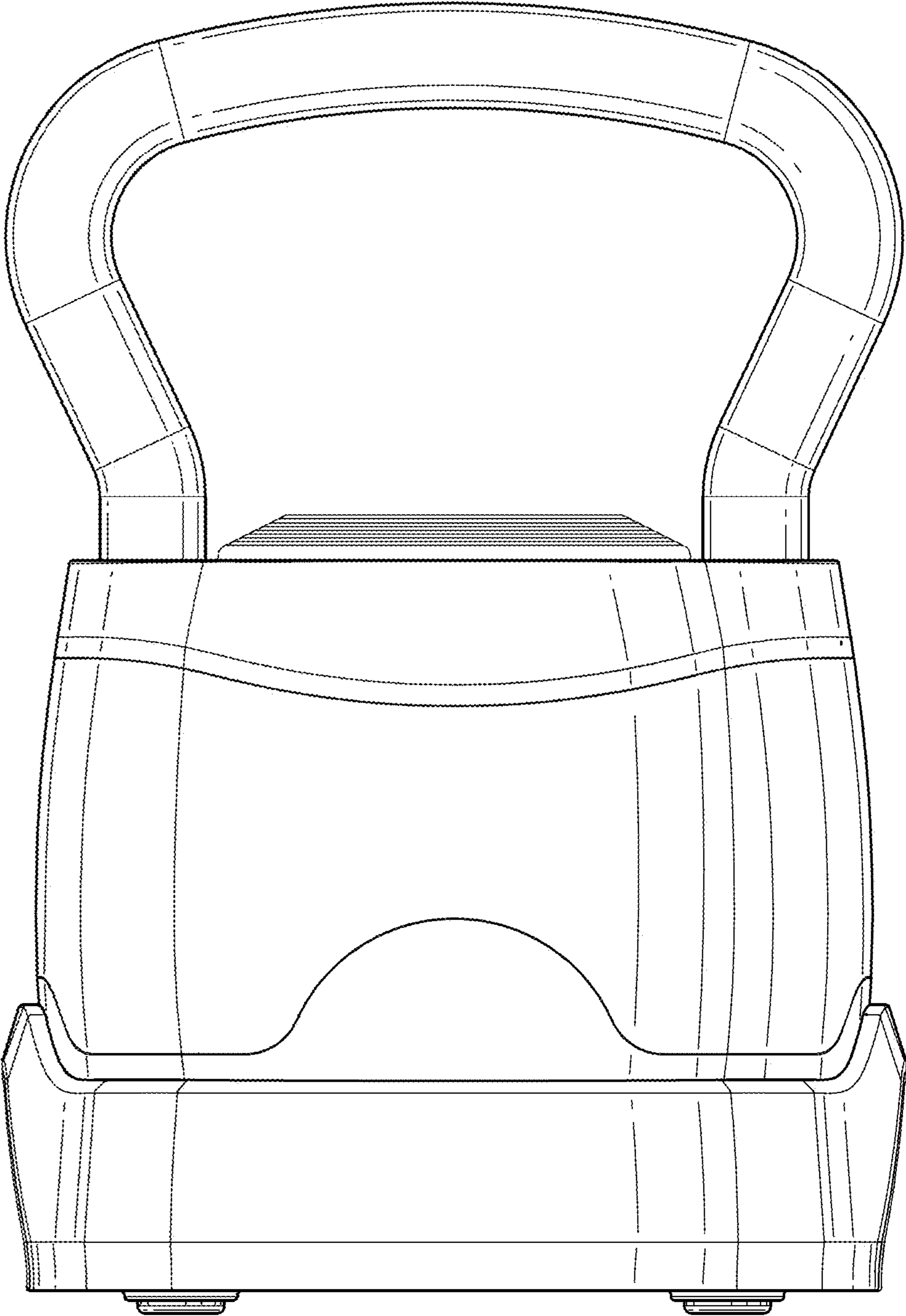


FIG.3

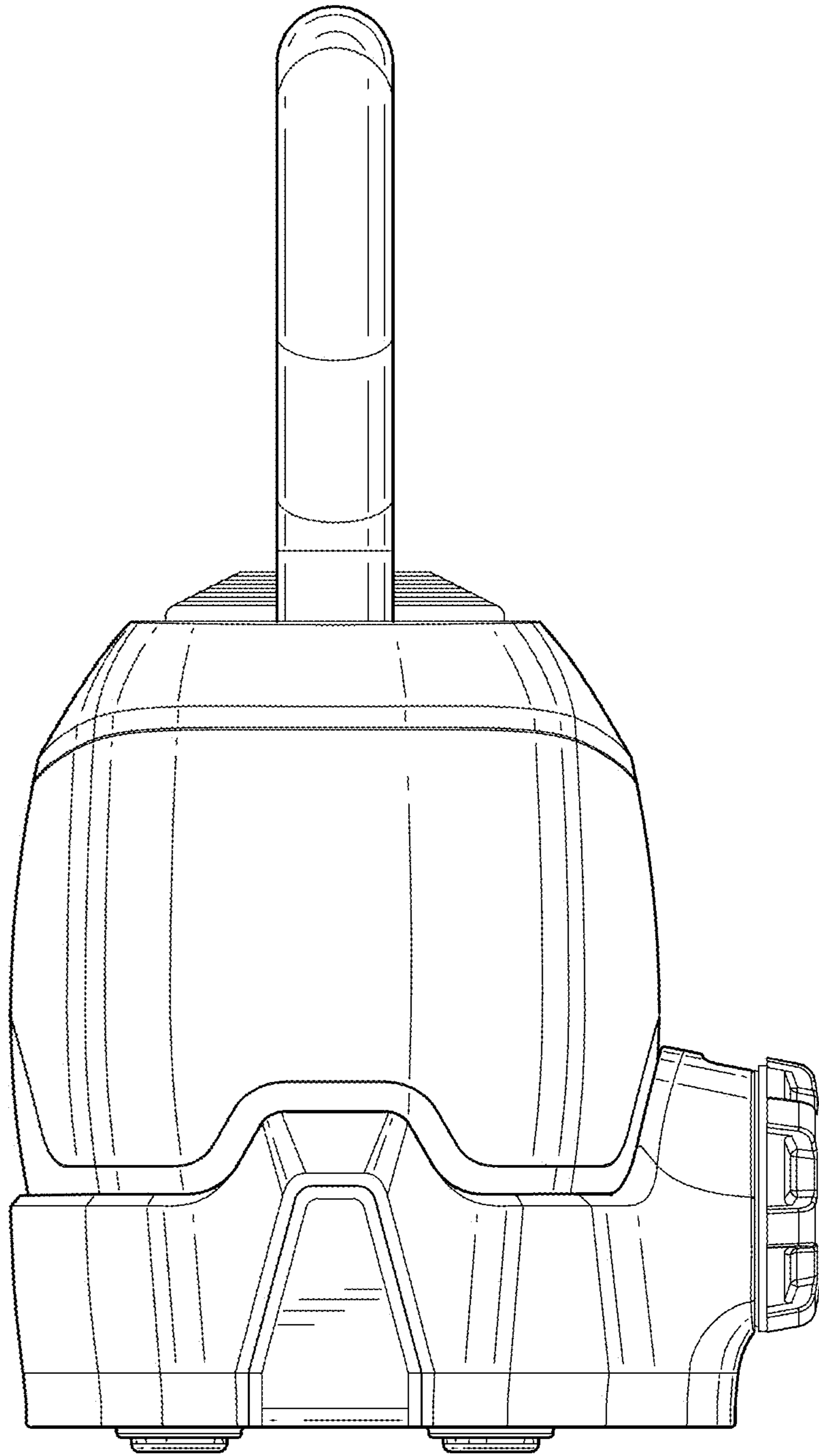


FIG.4

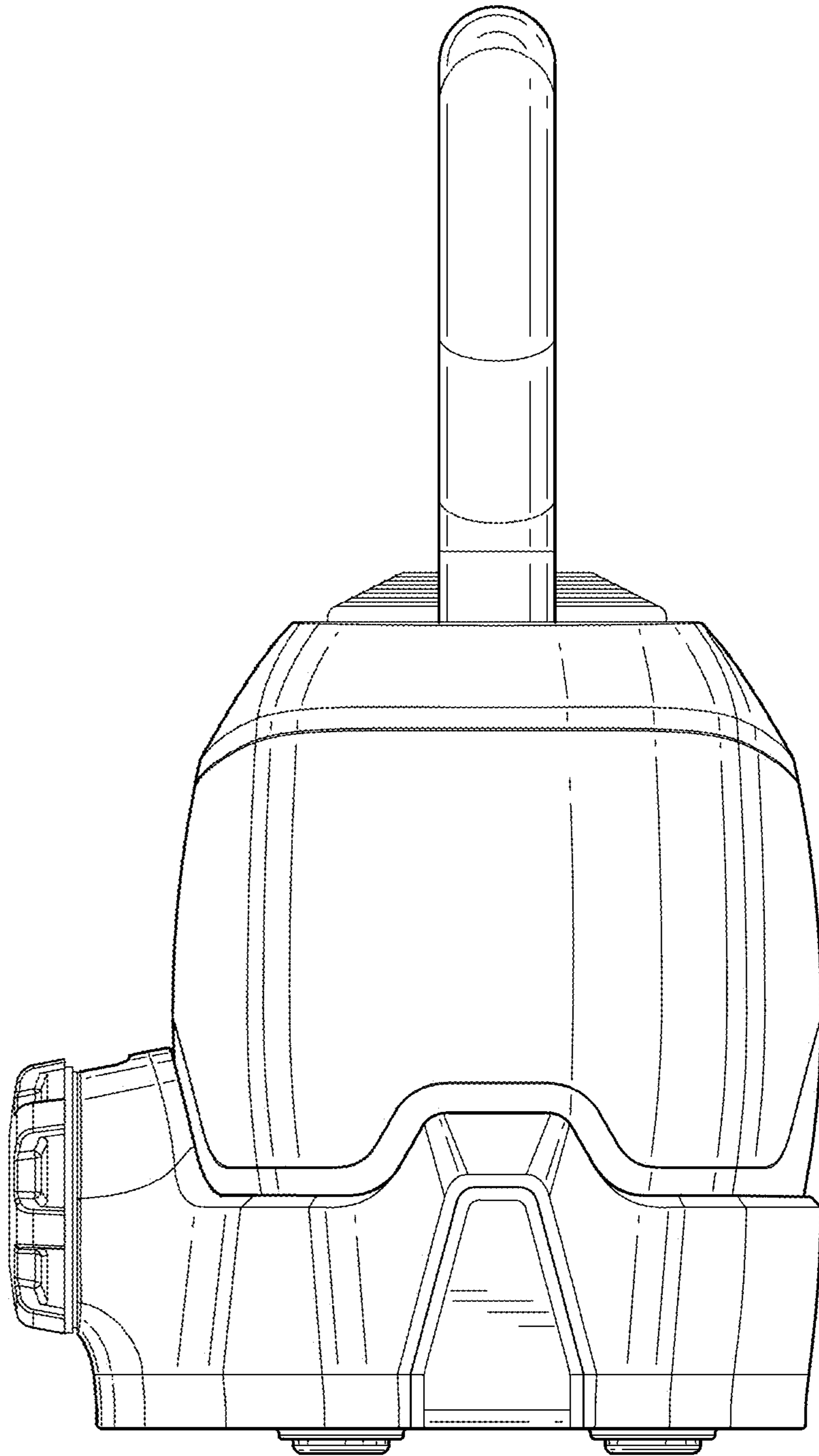


FIG.5

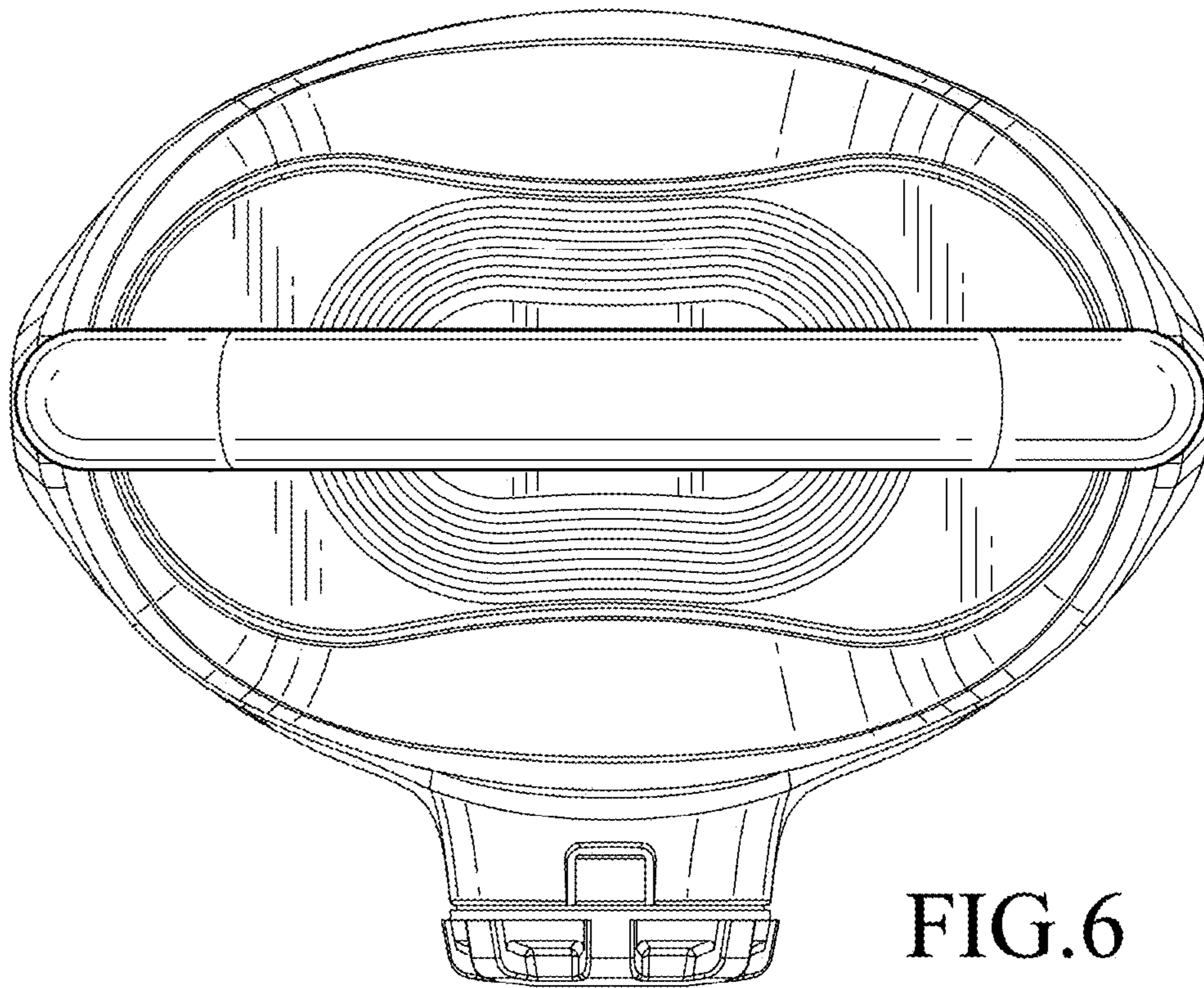


FIG. 6

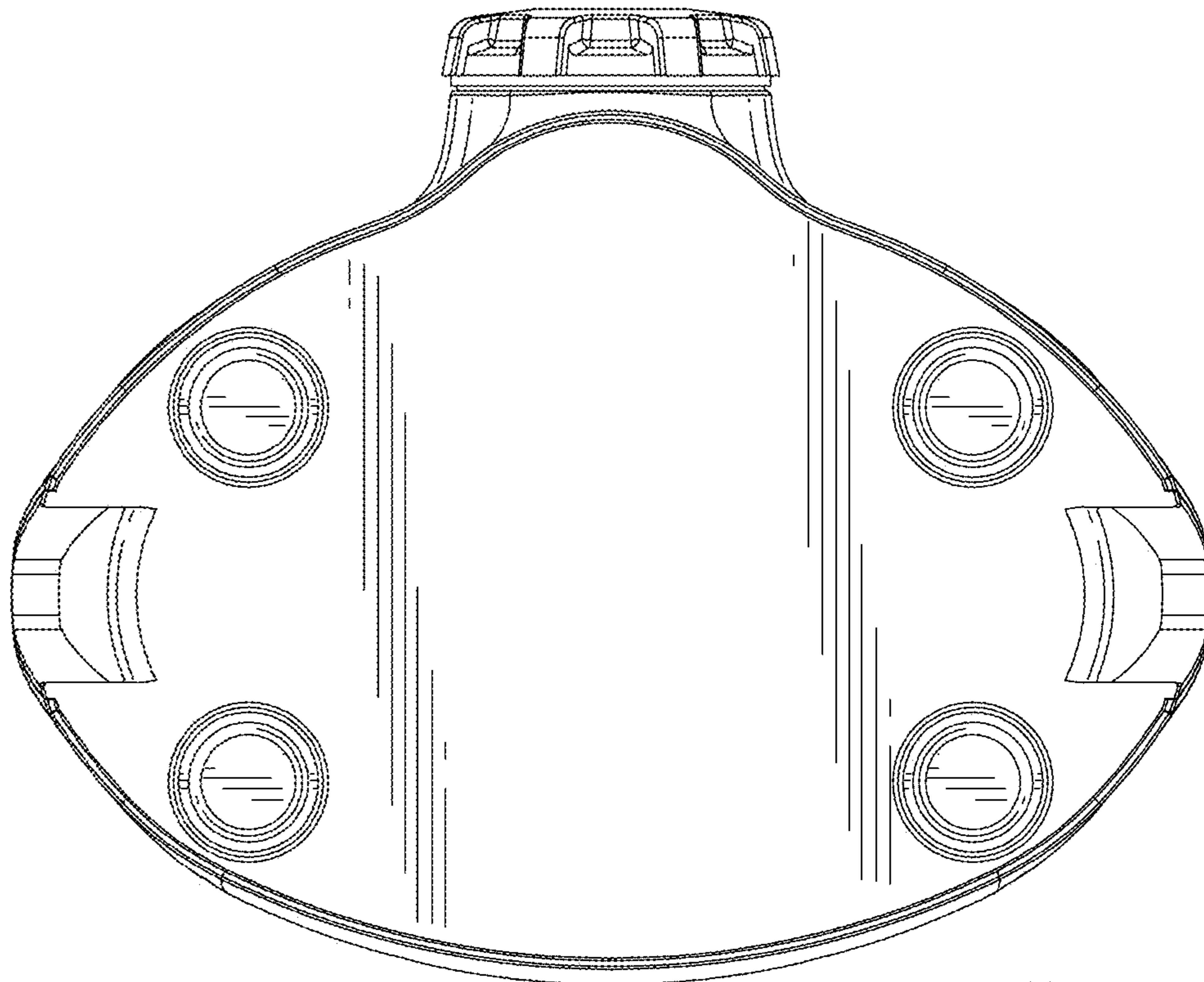


FIG. 7