



US00D896898S

(12) **United States Design Patent**
Baumgartner

(10) **Patent No.:** **US D896,898 S**

(45) **Date of Patent:** **** Sep. 22, 2020**

(54) **VEHICLE FRAME**

(71) Applicant: **Herbert Thomas Baumgartner**,
Magnolia, TX (US)

(72) Inventor: **Herbert Thomas Baumgartner**,
Magnolia, TX (US)

(**) Term: **15 Years**

(21) Appl. No.: **29/676,084**

(22) Filed: **Jan. 8, 2019**

Related U.S. Application Data

(63) Continuation-in-part of application No. 15/475,496,
filed on Mar. 31, 2017, now Pat. No. 10,207,561.

(51) **LOC (12) Cl.** **21-01**

(52) **U.S. Cl.**
USPC **D21/426; D12/87**

(58) **Field of Classification Search**
USPC D21/412, 414, 431-435; D12/1, 87, 107,
D12/110-114, 129, 130, 133
CPC A63G 25/00; B62D 21/183; B62D 39/00;
B60K 7/0007
See application file for complete search history.

(56) **References Cited**

U.S. PATENT DOCUMENTS

D500,707 S * 1/2005 Lu D12/87
D503,658 S * 4/2005 Lu D12/87

D549,133 S * 8/2007 LePage D12/87
D563,274 S * 3/2008 Ramos D12/87
D564,410 S * 3/2008 Lepage D12/87
D574,297 S * 8/2008 Carl D12/87
D575,675 S * 8/2008 Williams D12/87
D586,261 S * 2/2009 Burns D12/87
D586,695 S * 2/2009 Burns D12/87
D586,696 S * 2/2009 Burns D12/87
D651,133 S * 12/2011 Liebl D12/86

* cited by examiner

Primary Examiner — Darlington Ly

(74) *Attorney, Agent, or Firm* — Pierson Intellectual
Property LLC

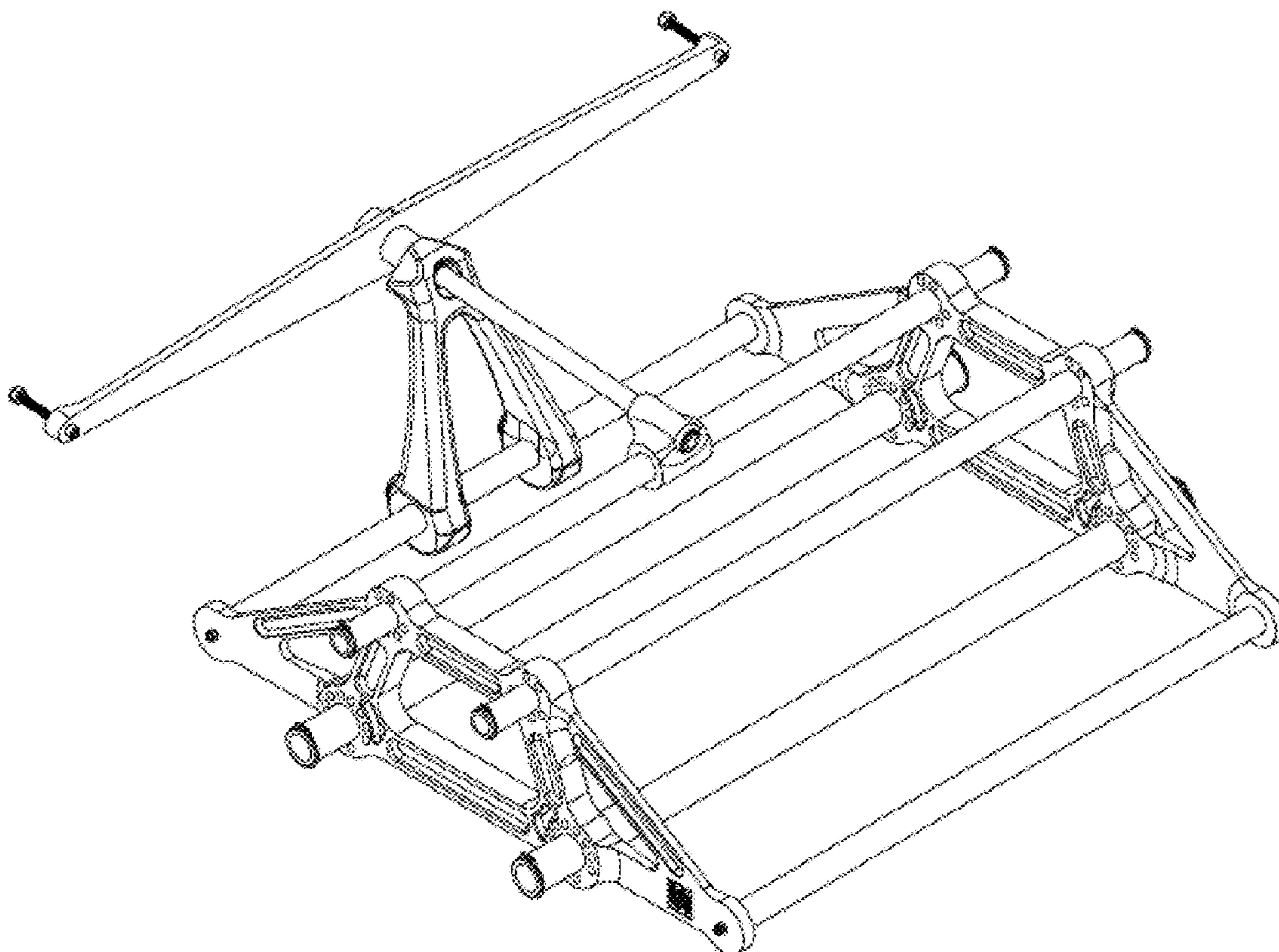
(57) **CLAIM**

The ornamental design for a vehicle frame, as shown and
described.

DESCRIPTION

FIG. 1 is a front perspective view of a vehicle frame showing
my new design;
FIG. 2 is a right side elevation view thereof;
FIG. 3 is a top plan view thereof;
FIG. 4 is a bottom plan view thereof;
FIG. 5 is a front elevation view thereof; and,
FIG. 6 is a rear elevation view thereof.

1 Claim, 4 Drawing Sheets



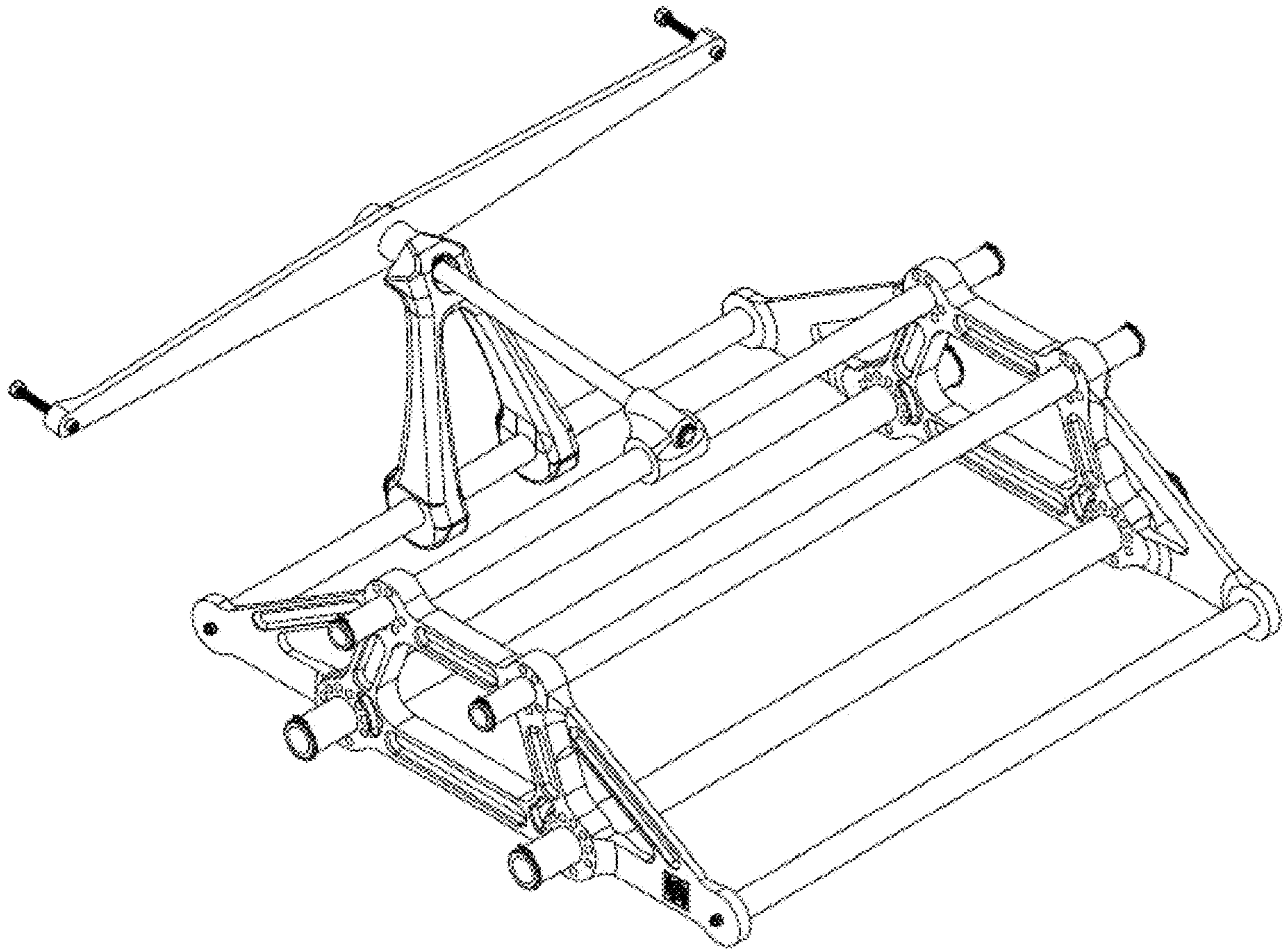


FIGURE 1

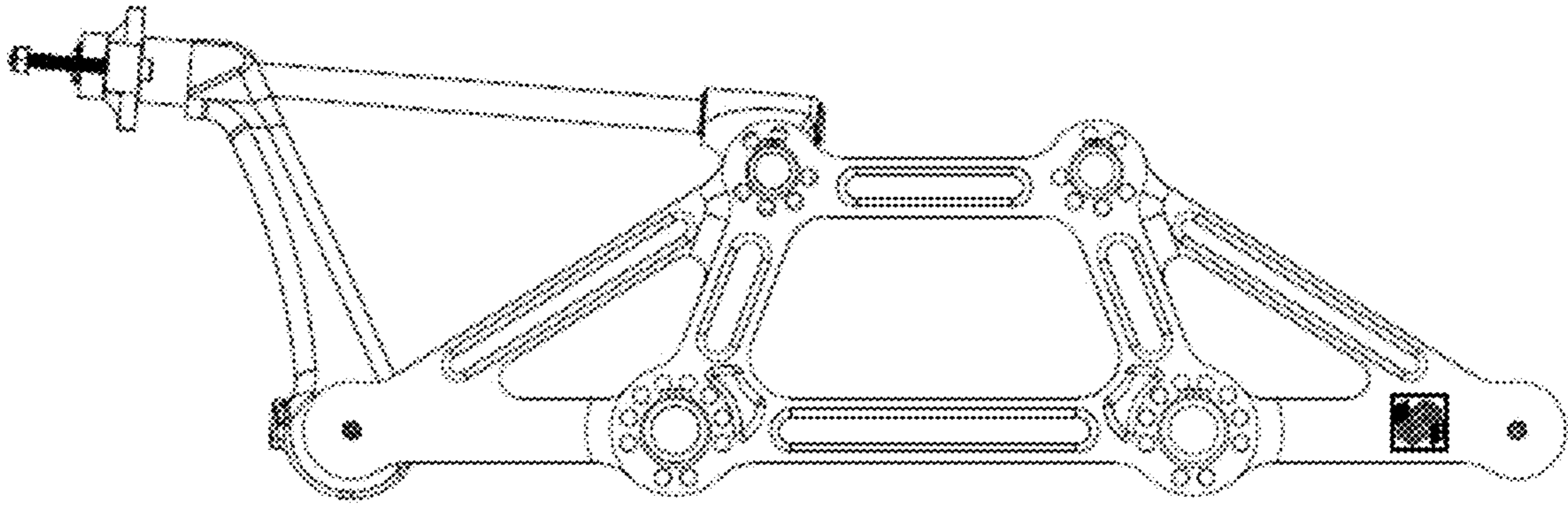


FIGURE 2

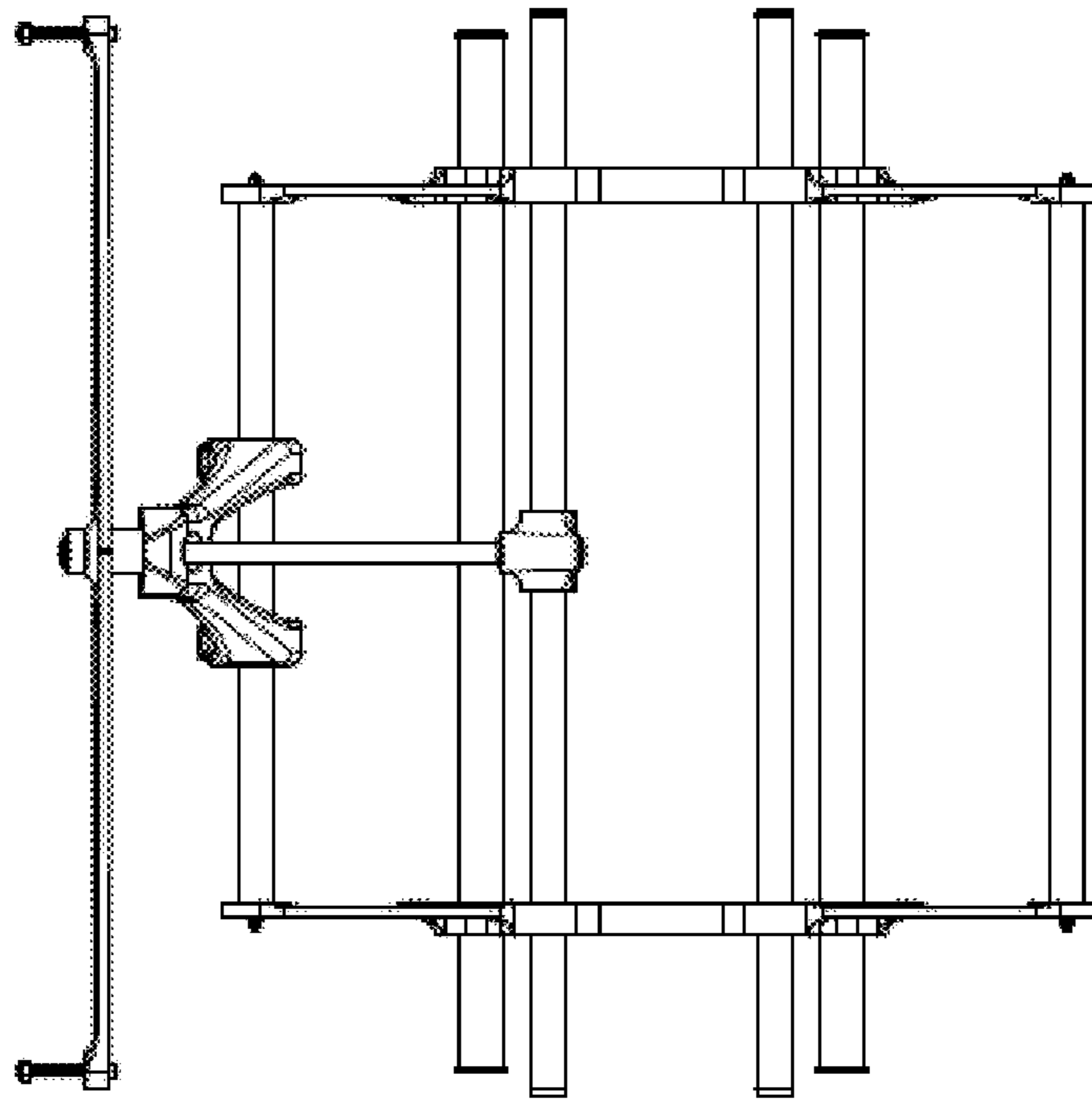


FIGURE 3

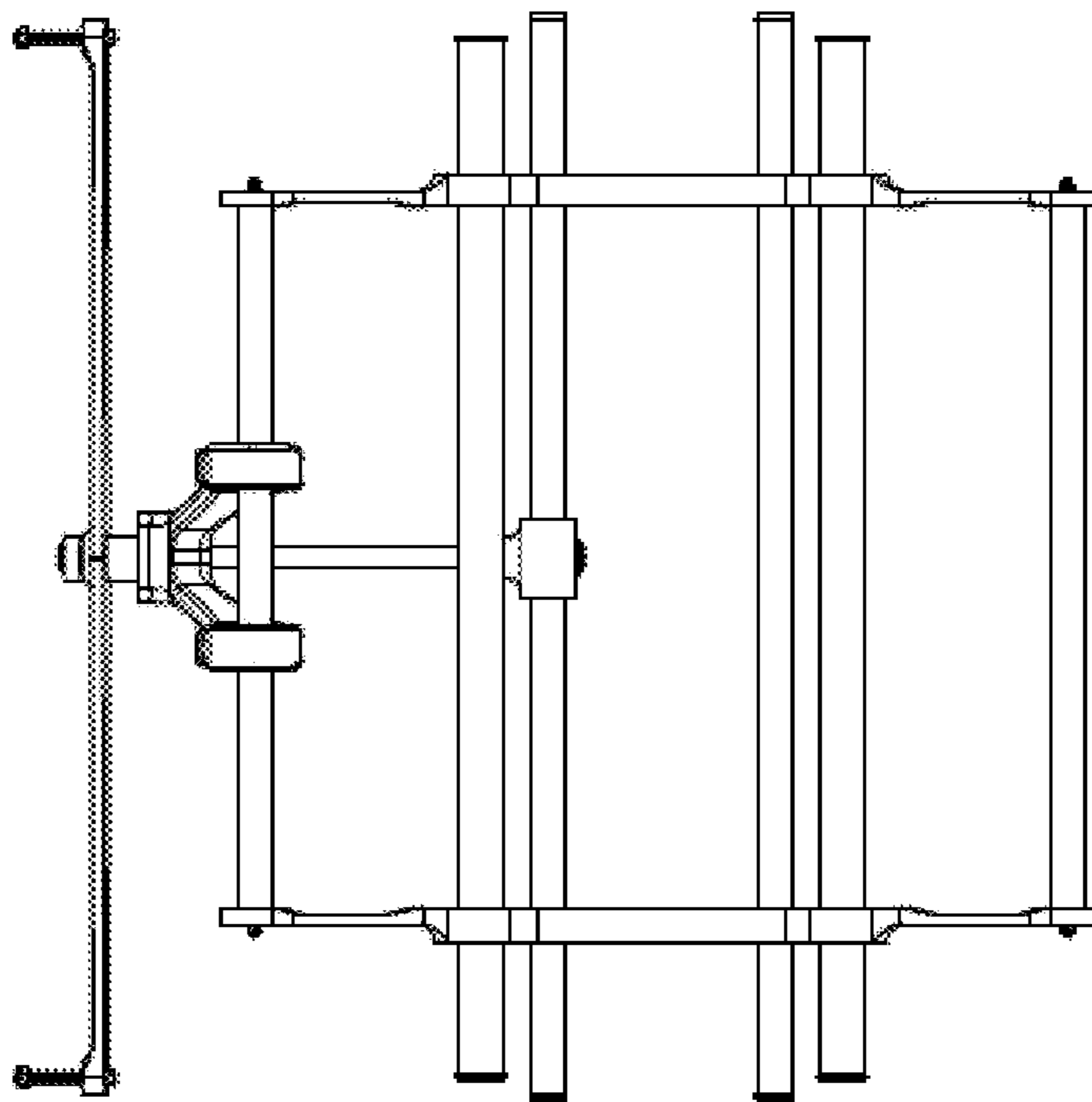


FIGURE 4

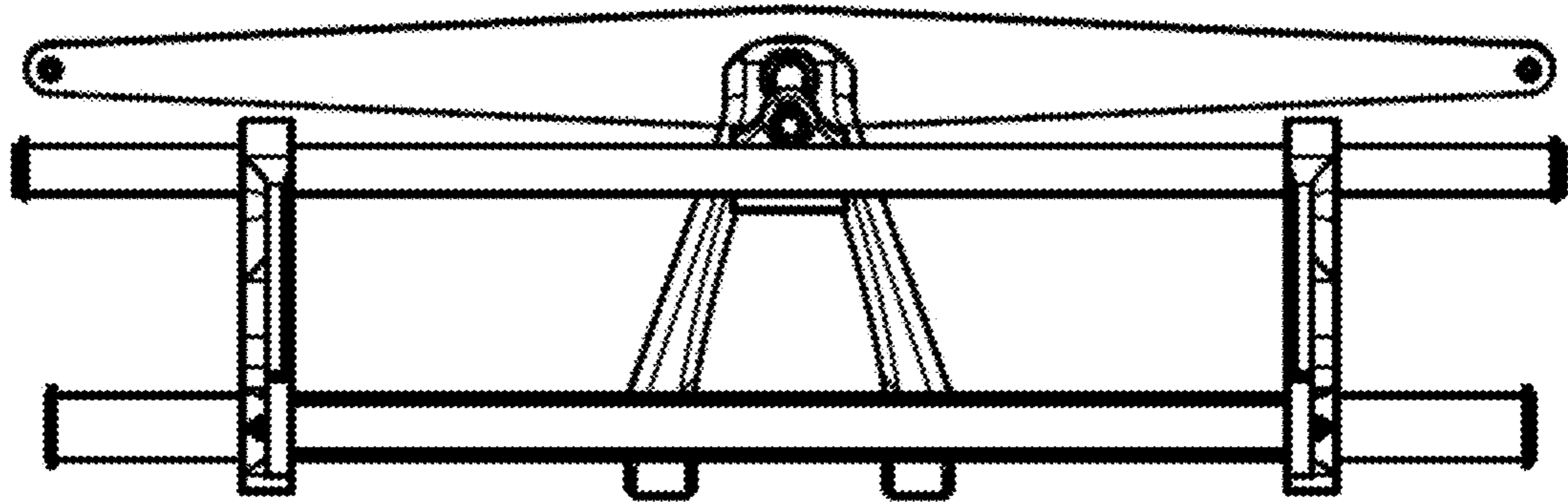


FIGURE 5

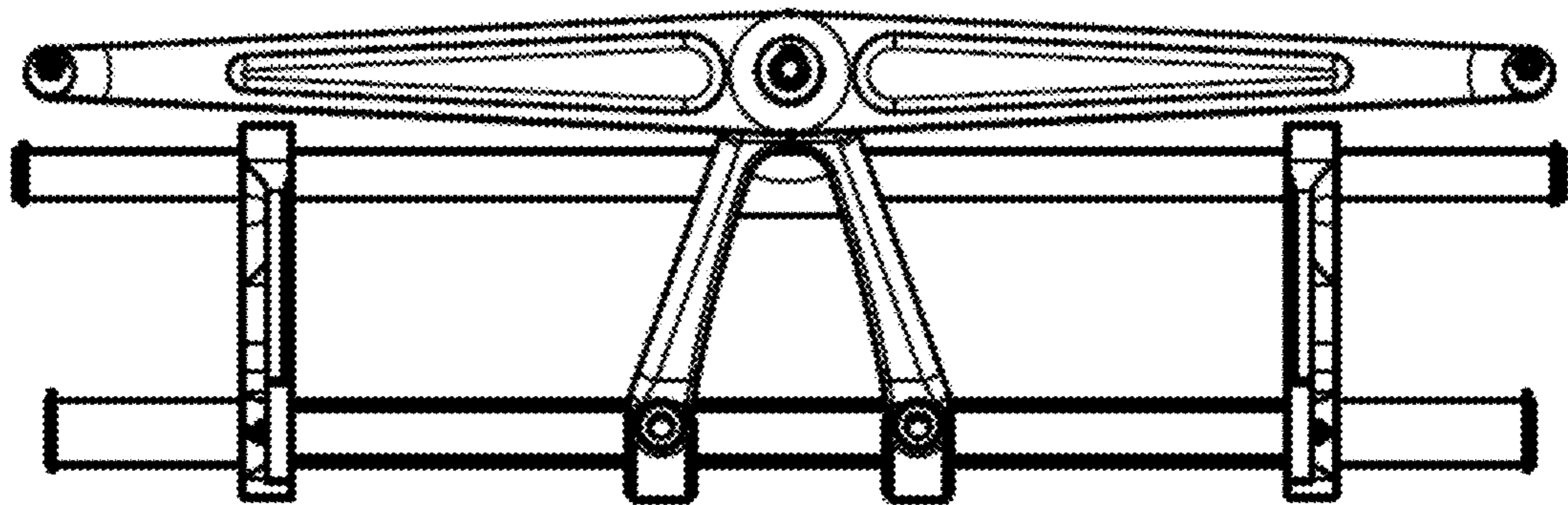


FIGURE 6