



(12) **United States Design Patent**  
**Dittrich et al.**

(10) **Patent No.:** **US D896,890 S**  
(45) **Date of Patent:** **\*\* Sep. 22, 2020**

(54) **ORGANIZER**

(71) Applicant: **Spectrum Diversified Designs, LLC**,  
Streetsboro, OH (US)

(72) Inventors: **Megan Leigh Dittrich**, Twinsburg, OH  
(US); **Jonathan Ostojic**, Seattle, WA  
(US); **Matthew Frank**, Seattle, WA  
(US)

(73) Assignee: **SPECTRUM DIVERSIFIED  
DESIGNS, LLC**, Streetsboro, OH (US)

(\*\*) Term: **15 Years**

(21) Appl. No.: **29/684,289**

(22) Filed: **Mar. 20, 2019**

(51) **LOC (12) Cl.** ..... **19-02**

(52) **U.S. Cl.**  
USPC ..... **D19/75; D3/304**

(58) **Field of Classification Search**  
USPC ..... D19/75-92, 99, 135; D3/206, 304, 306,  
D3/310, 315, 303; D6/675.5, 683, 683.1;  
D7/631, 637-641; D9/427, 432, 611;  
D14/253

CPC .. B43M 99/00; B43M 99/001; B43M 99/003;  
B43M 99/006; B43M 99/007; B43M  
99/008; B43M 99/009; B42D 3/12; B42D  
3/16; B42D 3/18; B42D 1/00; B43K  
23/001; B43K 23/002; A47B 55/00;  
A47B 63/00; B42F 3/12; B42F 3/16

See application file for complete search history.

(56) **References Cited**

**U.S. PATENT DOCUMENTS**

3,387,077 A \* 6/1968 Sammons ..... B29C 55/12  
264/154  
D227,004 S \* 5/1973 Roy et al. .... D9/427  
D372,395 S \* 8/1996 Candianides ..... D7/359

D389,152 S \* 1/1998 Kurihara ..... D14/215  
D402,436 S \* 12/1998 Cawley ..... D1/129  
D453,880 S \* 2/2002 Cheynet ..... D5/47  
6,446,289 B1 \* 9/2002 Su ..... A47C 27/084  
5/420  
D463,745 S \* 10/2002 Hausen ..... D9/456  
D479,271 S \* 9/2003 Gaska ..... D19/75  
D578,633 S \* 10/2008 Schluter ..... D23/370  
D597,052 S \* 7/2009 Kim ..... D14/138 AB  
D662,355 S \* 6/2012 Tyson ..... D7/396.6  
D682,012 S \* 5/2013 Lin ..... D7/354  
D685,358 S \* 7/2013 Armstrong ..... D14/250  
D721,686 S \* 1/2015 Jacob ..... D14/250  
D729,550 S \* 5/2015 Williams ..... D6/675  
D733,322 S \* 6/2015 Walczak ..... D13/102  
D733,696 S \* 7/2015 Burgett ..... D14/250  
D742,869 S \* 11/2015 Odhwani ..... D14/250  
D747,066 S \* 1/2016 Roetheli ..... D1/106  
D754,106 S \* 4/2016 Wise ..... D14/225

(Continued)

*Primary Examiner* — Elizabeth A. Albert

(74) *Attorney, Agent, or Firm* — Tucker Ellis LLP

(57) **CLAIM**

The ornamental design for an organizer, as shown and described.

**DESCRIPTION**

FIG. 1 is a perspective view of an organizer showing our new design.

FIG. 2 is a front view thereof.

FIG. 3 is a rear view thereof.

FIG. 4 is a right side view thereof.

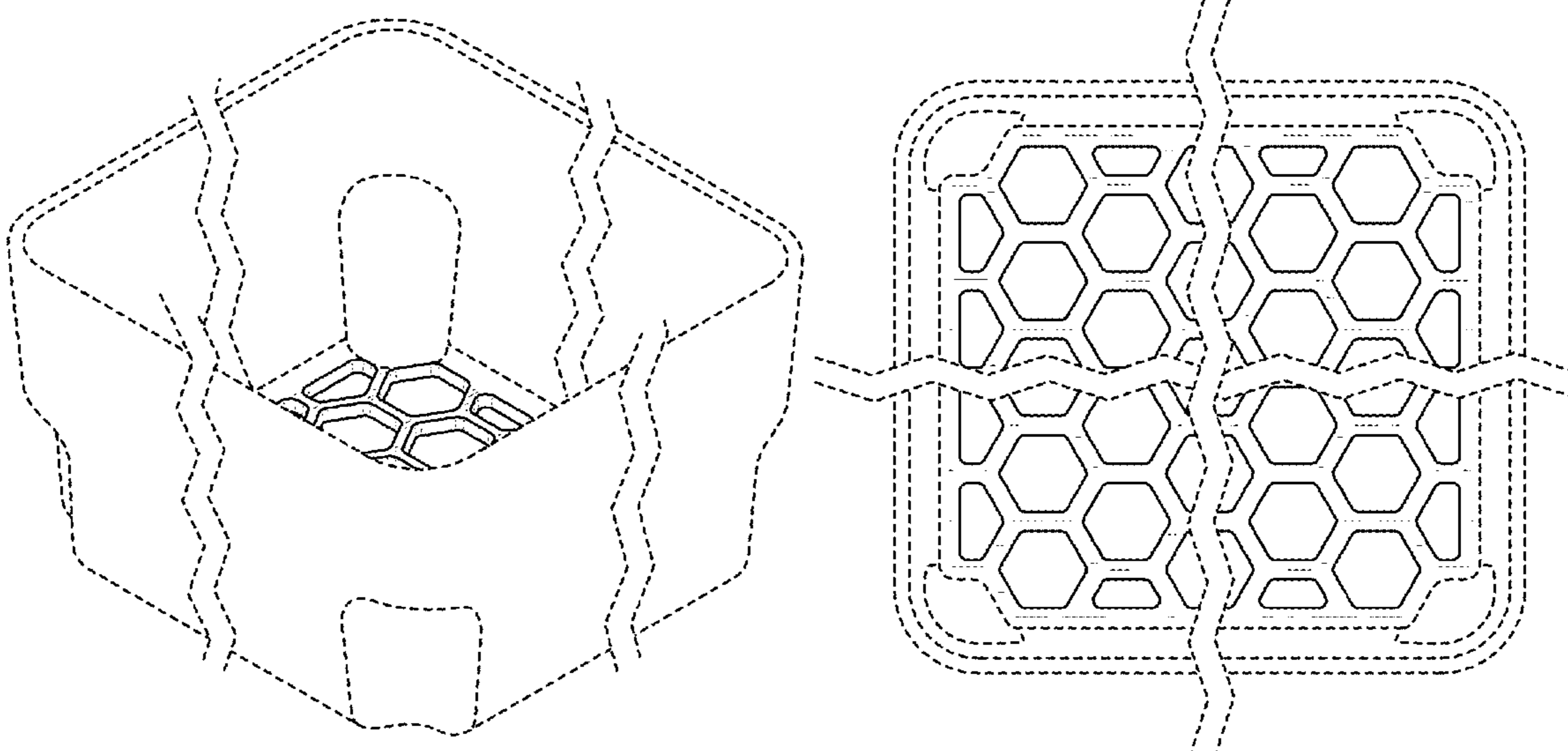
FIG. 5 is a left side view thereof.

FIG. 6 is a top view thereof; and,

FIG. 7 is a bottom view thereof.

The broken lines show portions of the design that form no part of the claimed design. The broken away symbols in the drawings indicate that the appearance of any portion of the article between the break lines forms no part of the claimed design.

**1 Claim, 4 Drawing Sheets**



(56)

**References Cited**

U.S. PATENT DOCUMENTS

D766,647 S \* 9/2016 Calkins ..... D7/354  
D791,717 S \* 7/2017 Uusitalo ..... D13/160  
D803,789 S \* 11/2017 Levesque ..... H05K 7/186  
D13/155  
D806,082 S \* 12/2017 Armstrong ..... D14/440  
D808,827 S \* 1/2018 Witt ..... D10/46.2  
D814,053 S \* 3/2018 Darrow ..... D25/109  
D816,492 S \* 5/2018 Reinhart ..... D9/435  
D832,269 S \* 10/2018 Cheng ..... D14/440  
D844,621 S \* 4/2019 Chen ..... D14/440  
D845,031 S \* 4/2019 Huang ..... D6/586  
D851,648 S \* 6/2019 Tan ..... D14/440  
D861,665 S \* 10/2019 Li ..... D14/250  
D868,071 S \* 11/2019 Liu ..... D14/440  
D868,789 S \* 12/2019 Weng ..... D14/440  
2019/0275714 A1 \* 9/2019 Kanoh ..... B29C 45/14065

\* cited by examiner

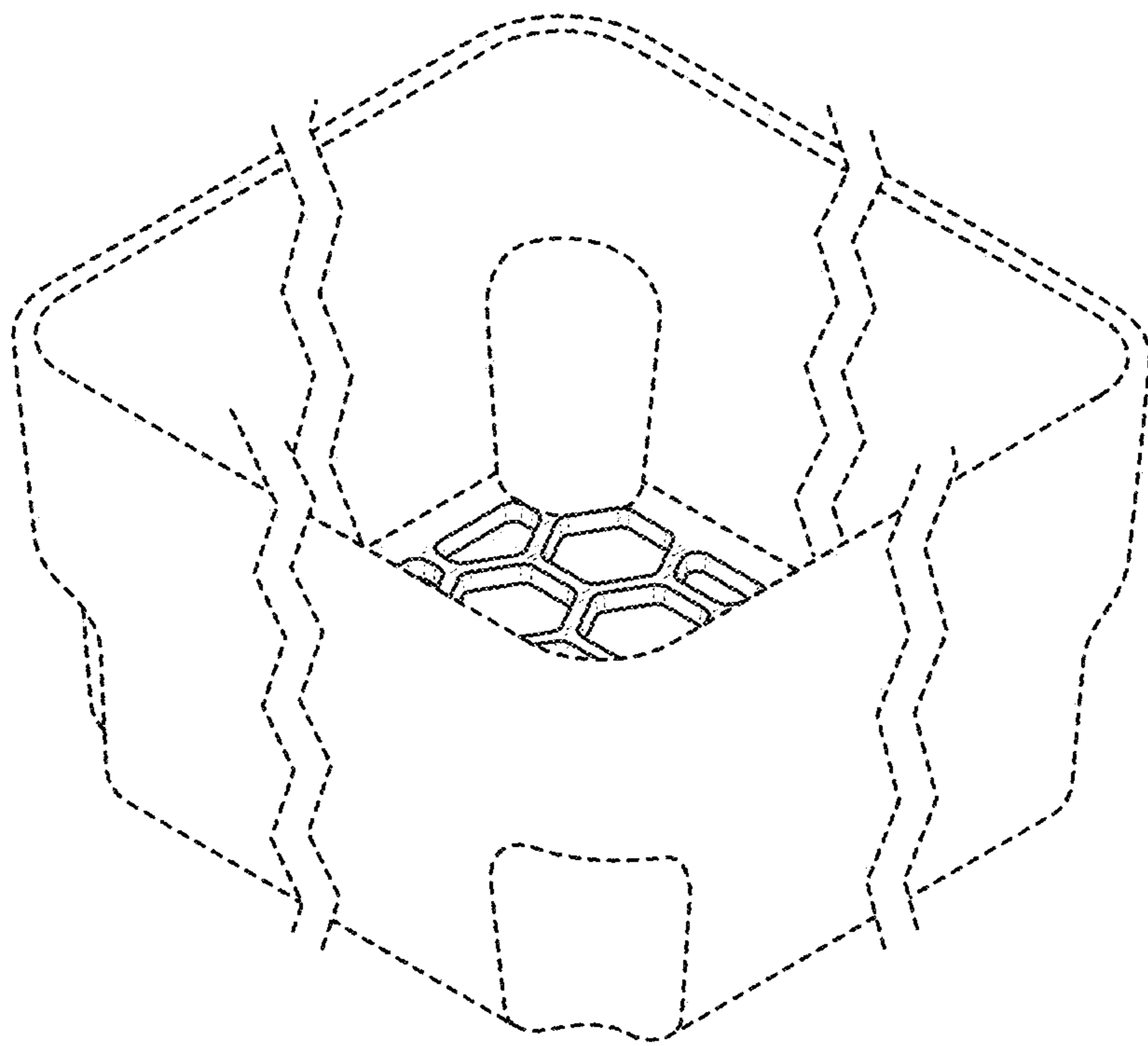


FIG. 1

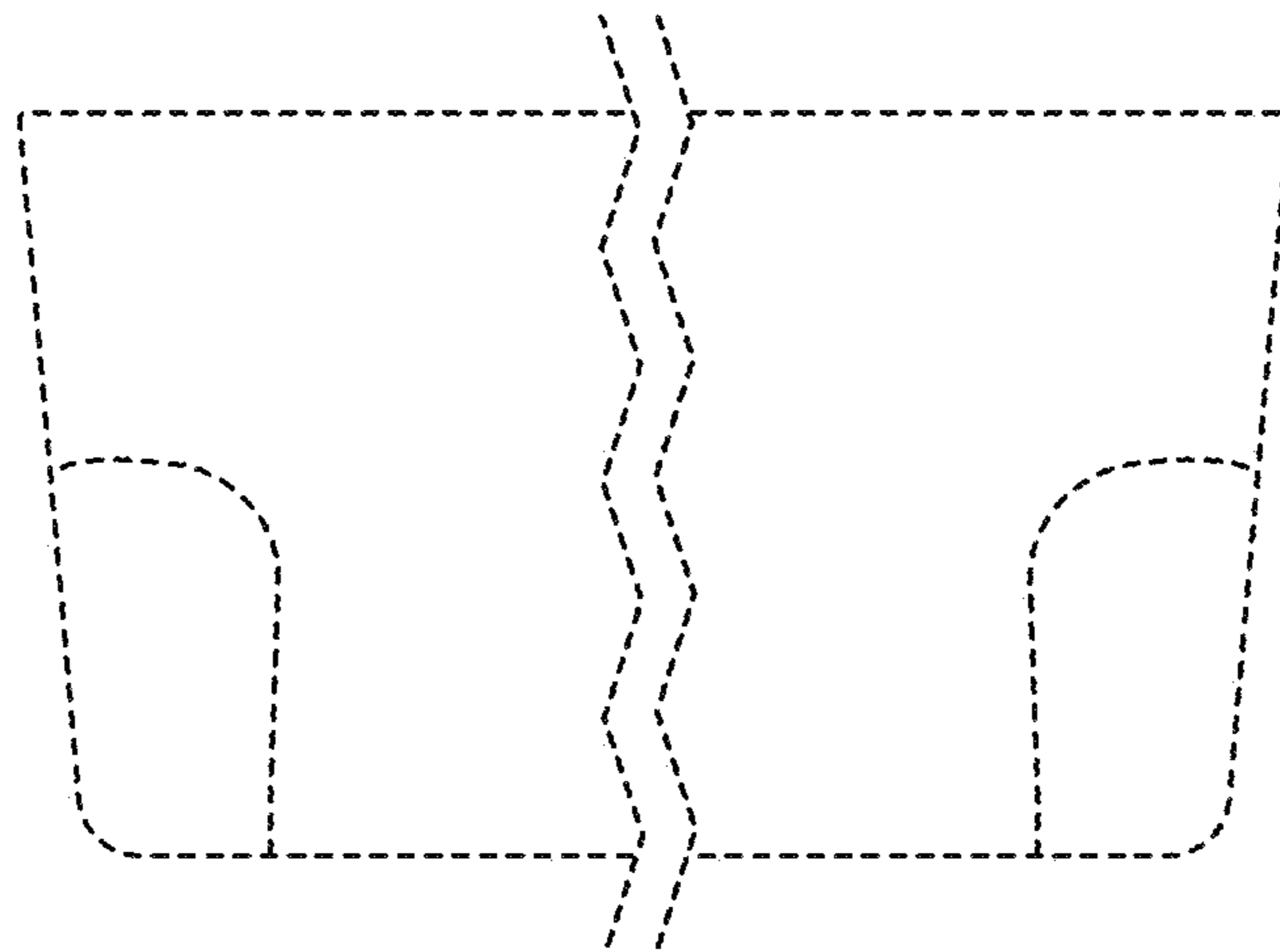


FIG. 2

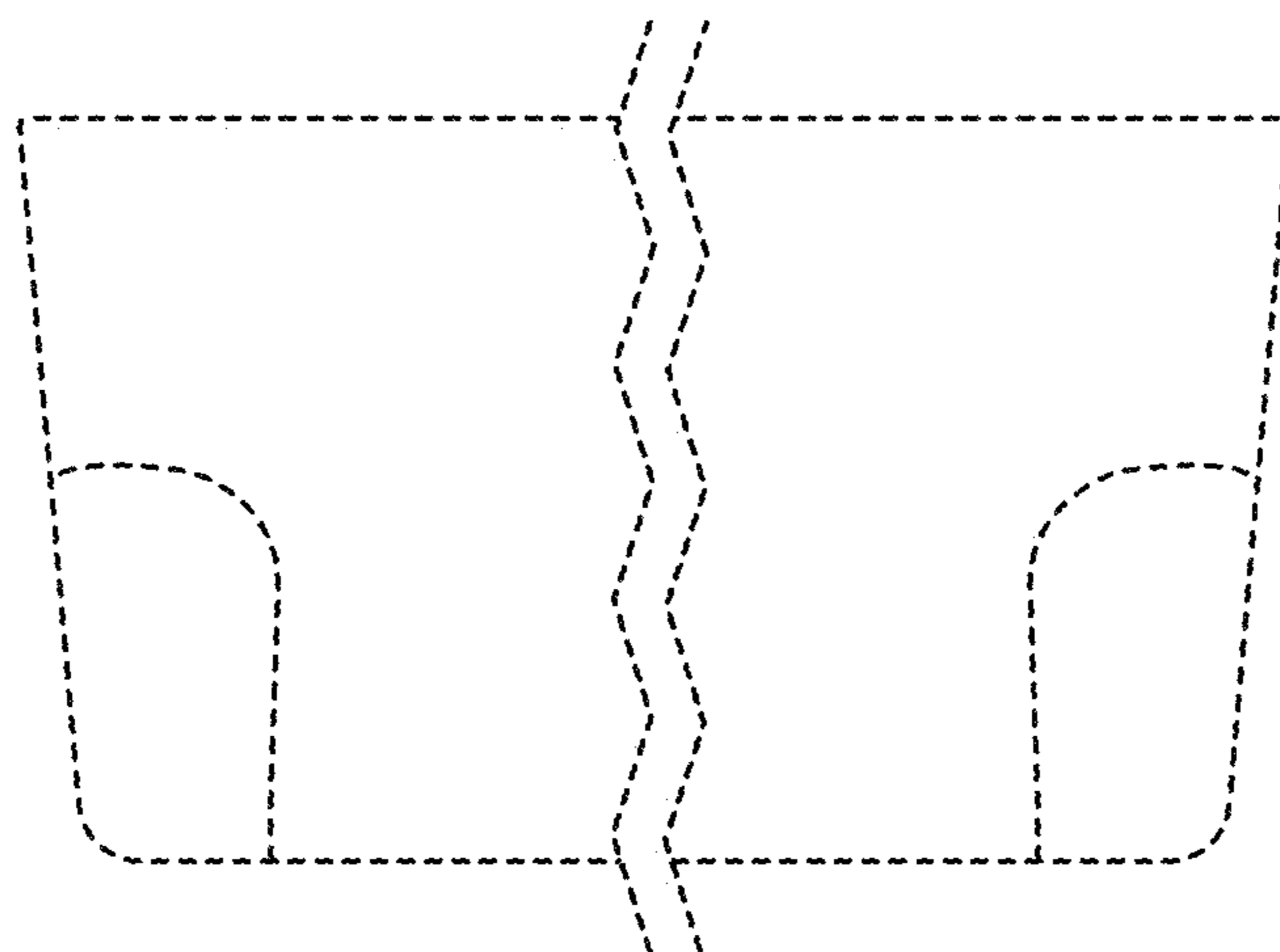


FIG. 3

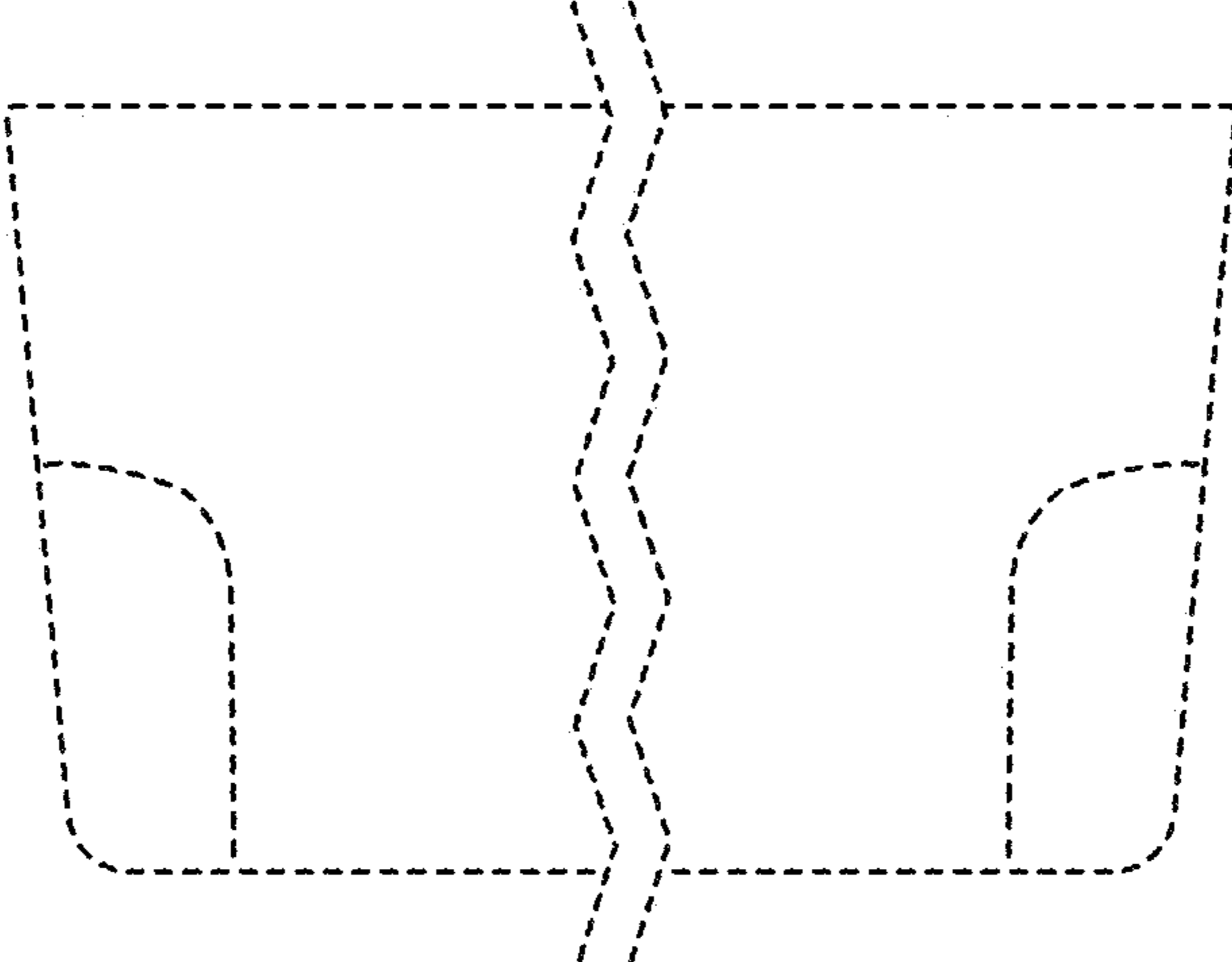


FIG. 4

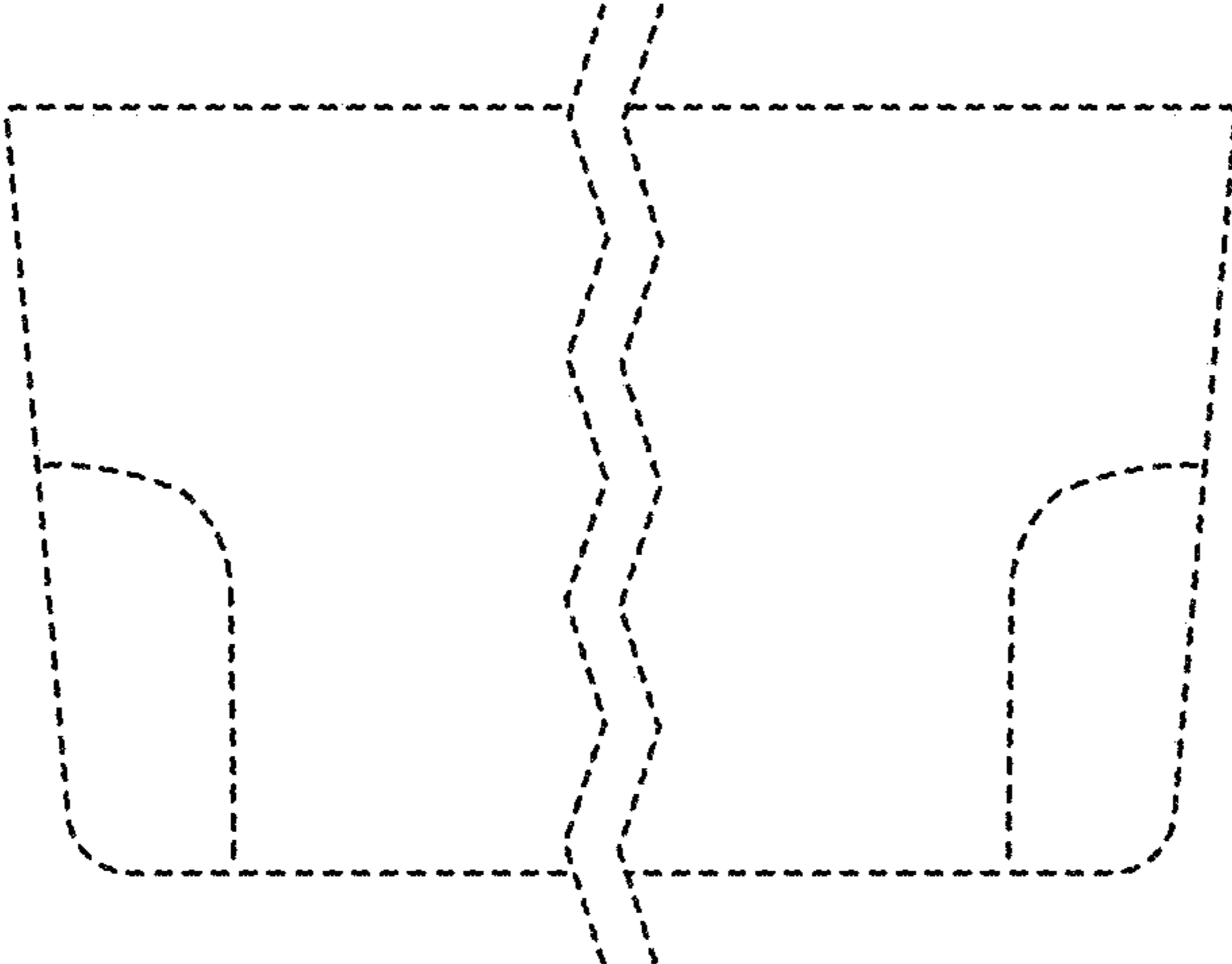


FIG. 5

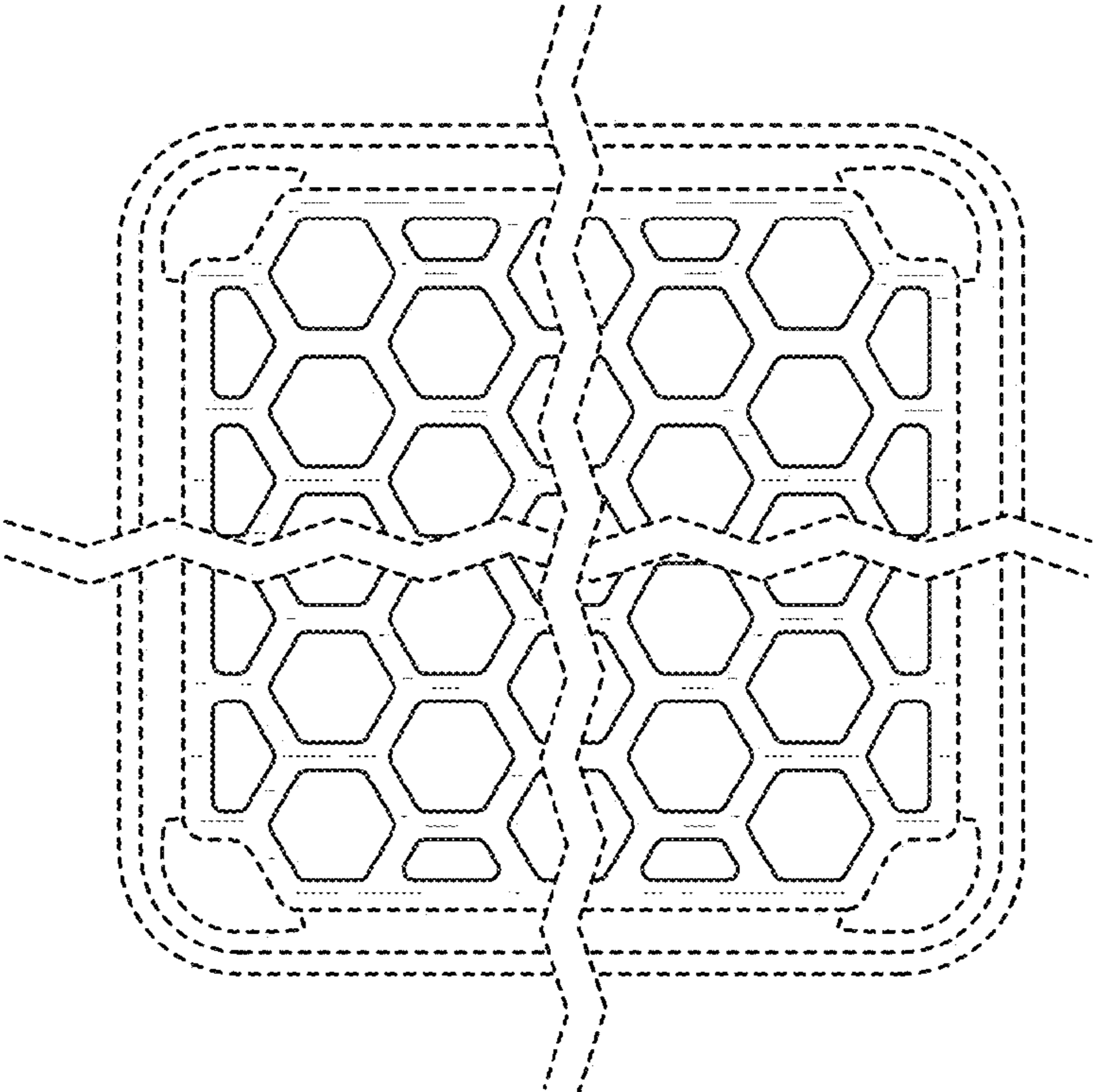


FIG. 6

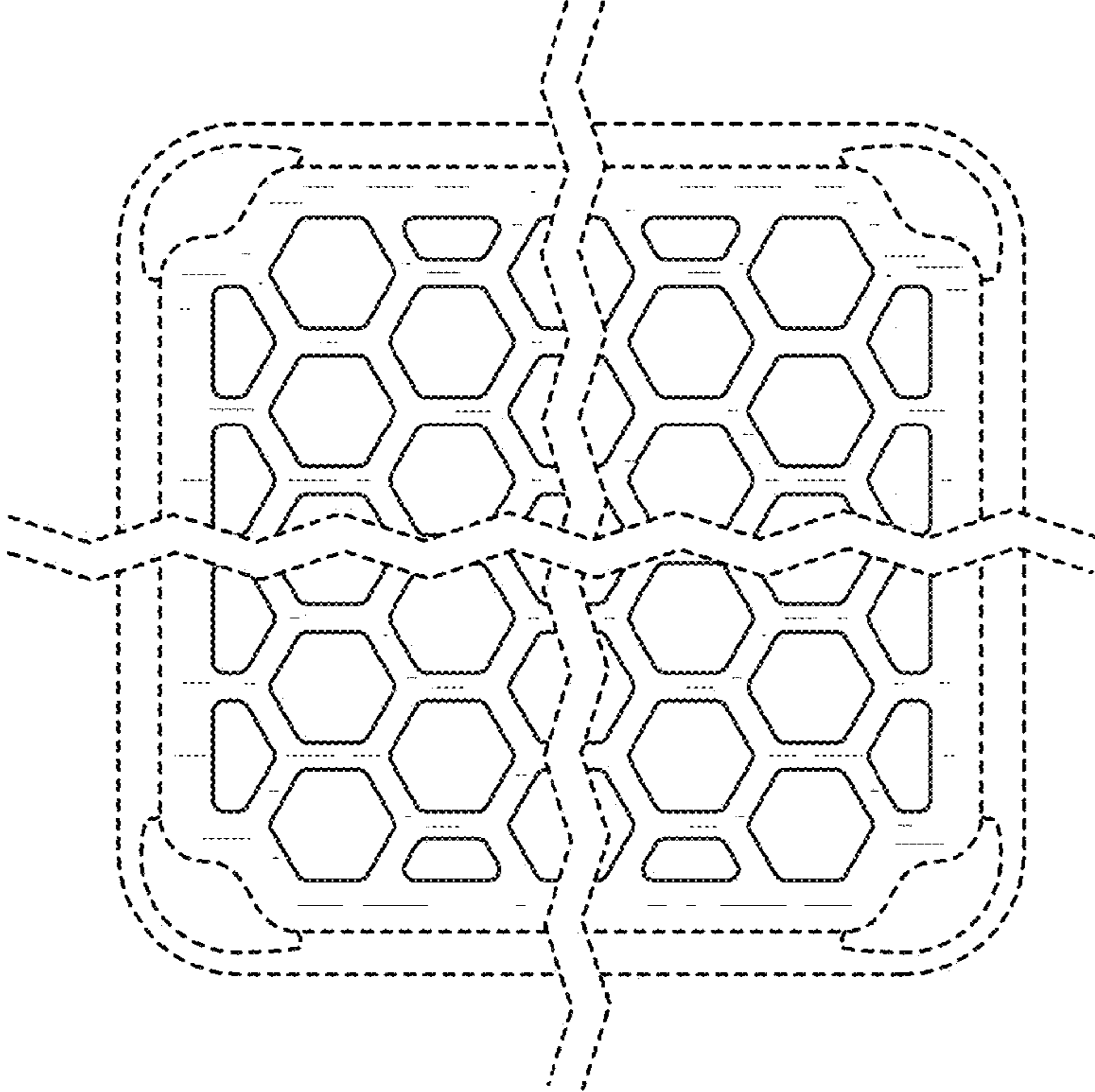


FIG. 7