



US00D896889S

(12) **United States Design Patent** (10) **Patent No.:** **US D896,889 S**
Sluiter (45) **Date of Patent:** **** Sep. 22, 2020**

(54) **WALL MOUNT SMART CALENDAR
 DISPLAY APPARATUS**

(71) Applicant: **Carrie Diane Sluiter**, Kalamazoo, MI
 (US)

(72) Inventor: **Carrie Diane Sluiter**, Kalamazoo, MI
 (US)

(**) Term: **15 Years**

(21) Appl. No.: **29/682,332**

(22) Filed: **Mar. 4, 2019**

(51) **LOC (12) Cl.** **19-03**

(52) **U.S. Cl.**
 USPC **D19/21**

(58) **Field of Classification Search**

USPC D19/1-12, 20-34, 75-77, 86, 59, 91;
 40/124.01-124.15, 726, 109-110, 107,
 40/113-118, 358, 649, 642.02; 283/2-3;
 D20/10, 20, 27, 39-43; 368/28, 276-278;
 D10/15, 2-3, 61; 206/214-215; 281/44;
 248/148; 211/13.1, 50, 24; D6/310
 CPC .. B42D 15/022; B42D 15/027; B42D 15/045;
 B42D 25/00; B42D 25/20; B42D 25/285;
 B43L 1/00; B43L 1/008; B43L 1/08;
 B43L 1/04; G09F 1/12; G09F 15/0006;
 G09F 15/0068; G09F 15/0012; G09F
 2007/1856

See application file for complete search history.

(56) **References Cited**

U.S. PATENT DOCUMENTS

D416,284 S * 11/1999 O'Malley D19/20
 D493,196 S * 7/2004 Hsu D19/20

* cited by examiner

Primary Examiner — Abraham Bahta

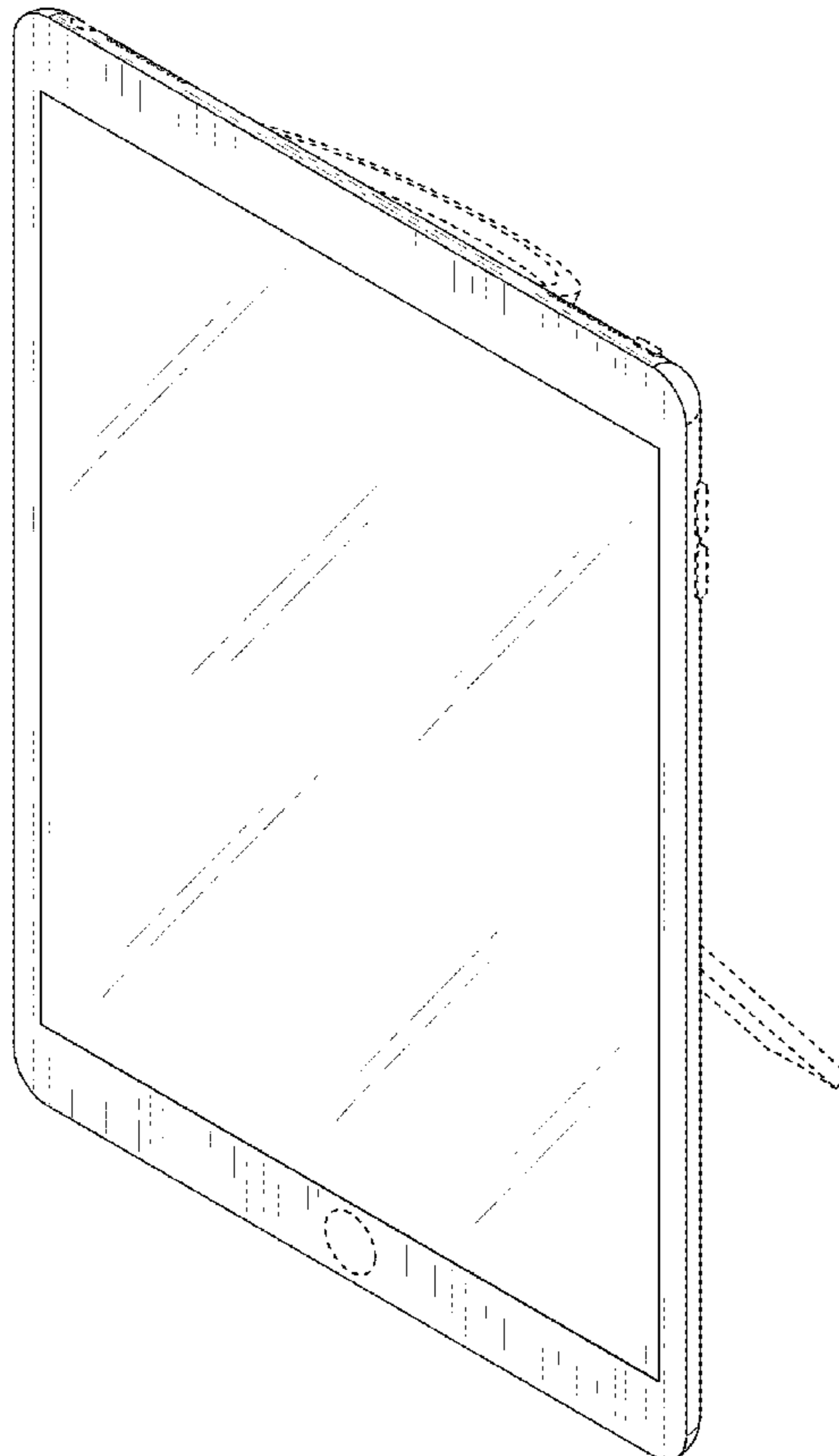
(57) **CLAIM**

The ornamental design for a wall mount smart calendar display apparatus, as shown and described.

DESCRIPTION

FIG. 1 is a top perspective view of a wall mount smart calendar display apparatus showing my new design;
 FIG. 2 is a bottom perspective view thereof;
 FIG. 3 is a front elevational view thereof;
 FIG. 4 is a rear elevational view thereof;
 FIG. 5 is a left-side elevational view thereof;
 FIG. 6 is a right-side elevational view thereof;
 FIG. 7 is a top plan view thereof; and,
 FIG. 8 is a bottom plan view thereof.
 The broken line showing the back handle, table stands, camera holes, volume and power buttons, the corners, speaker holes and charging ports in FIGS. 1-8 is included for the purpose of illustrating environmental structure and forms no part of the claimed design.

1 Claim, 8 Drawing Sheets



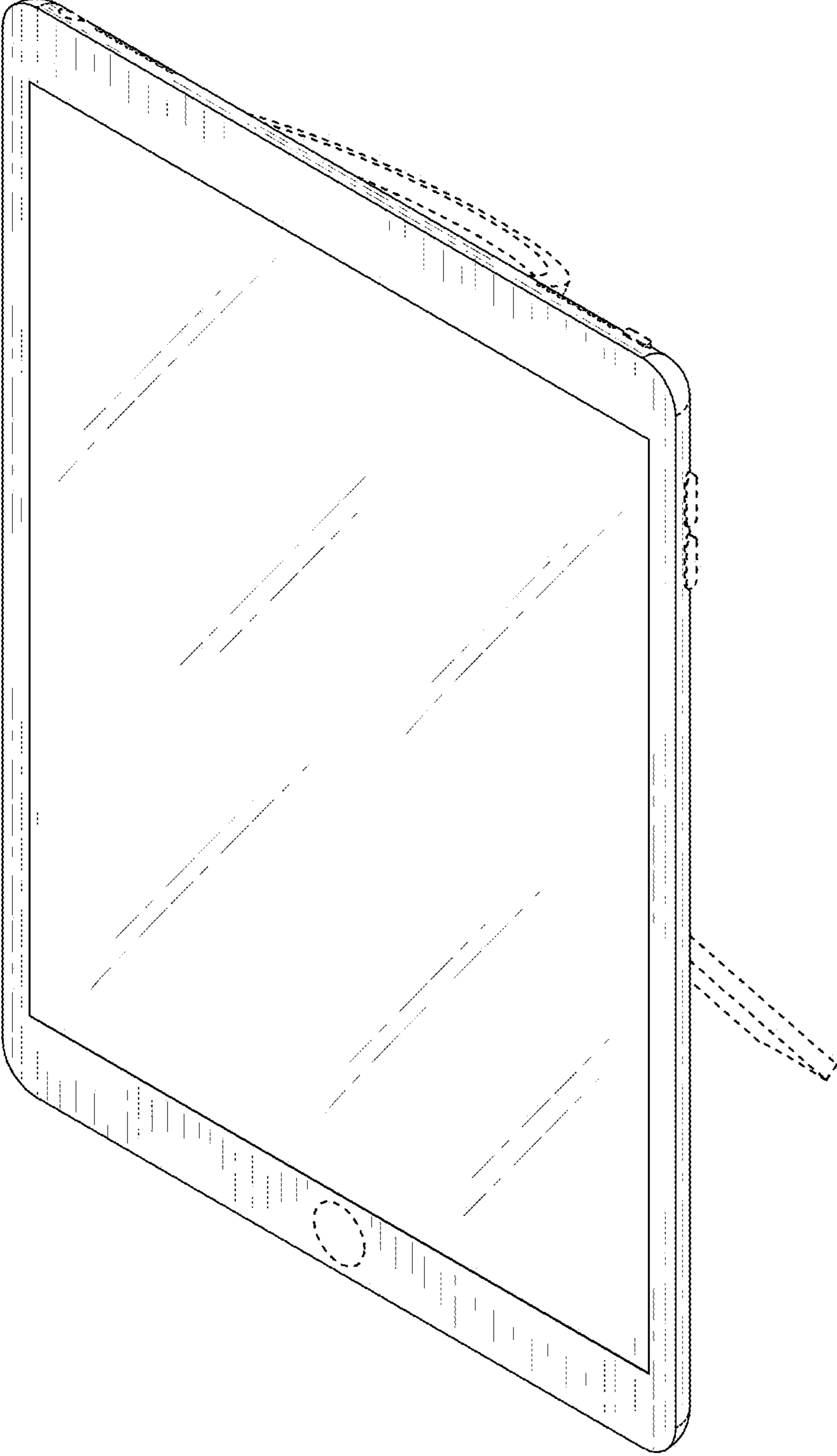


FIG.1

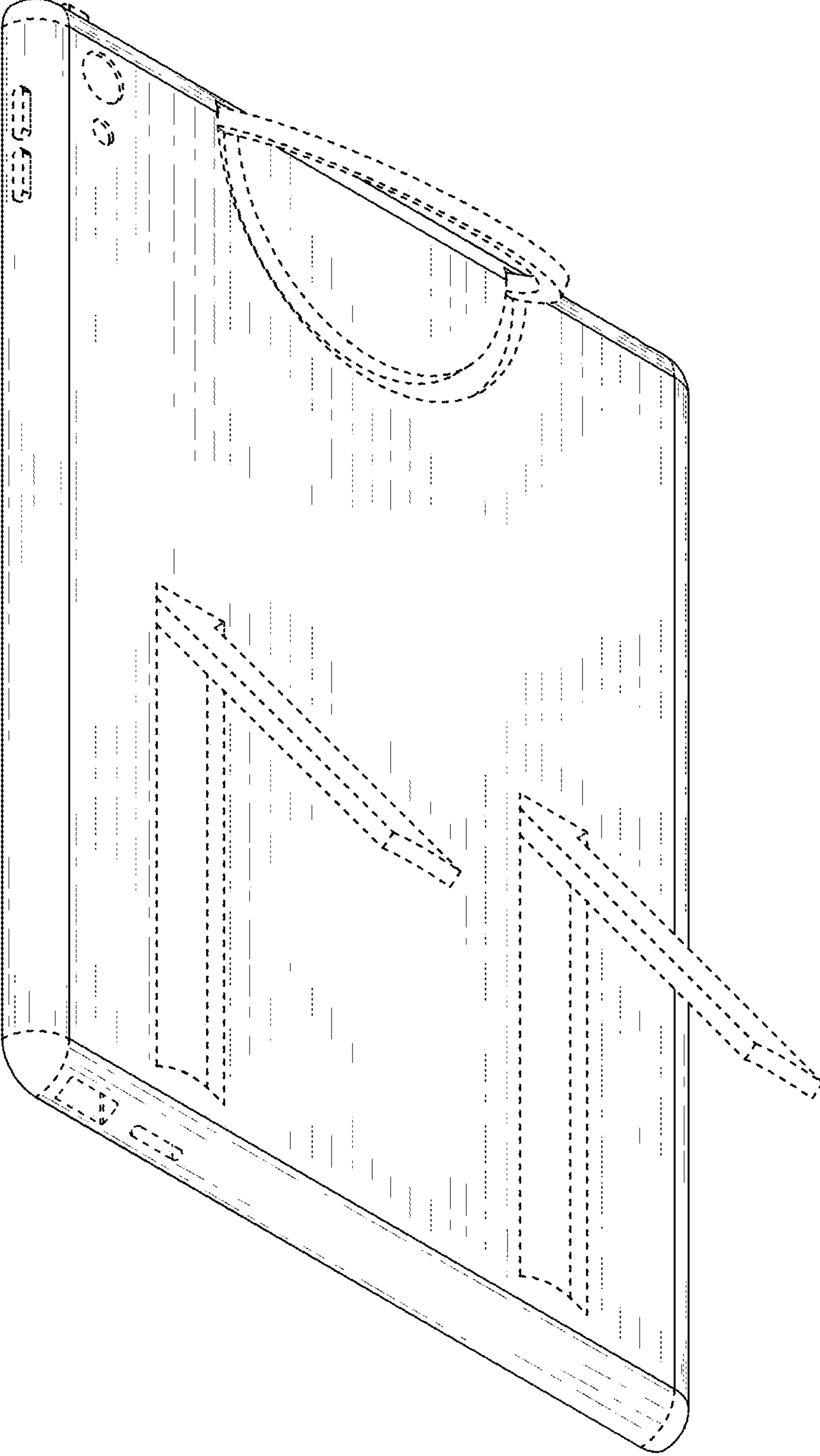


FIG.2

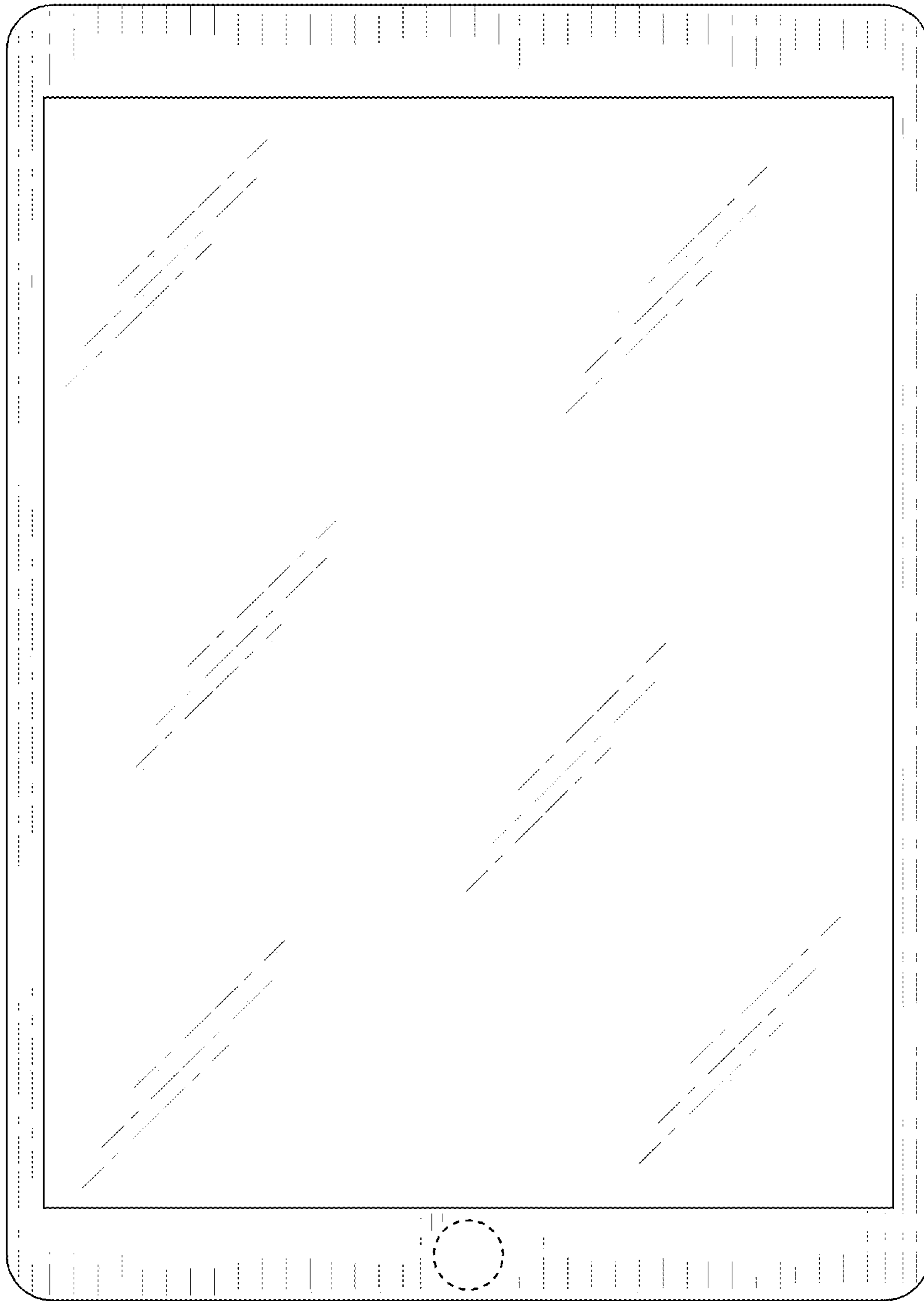


FIG.3

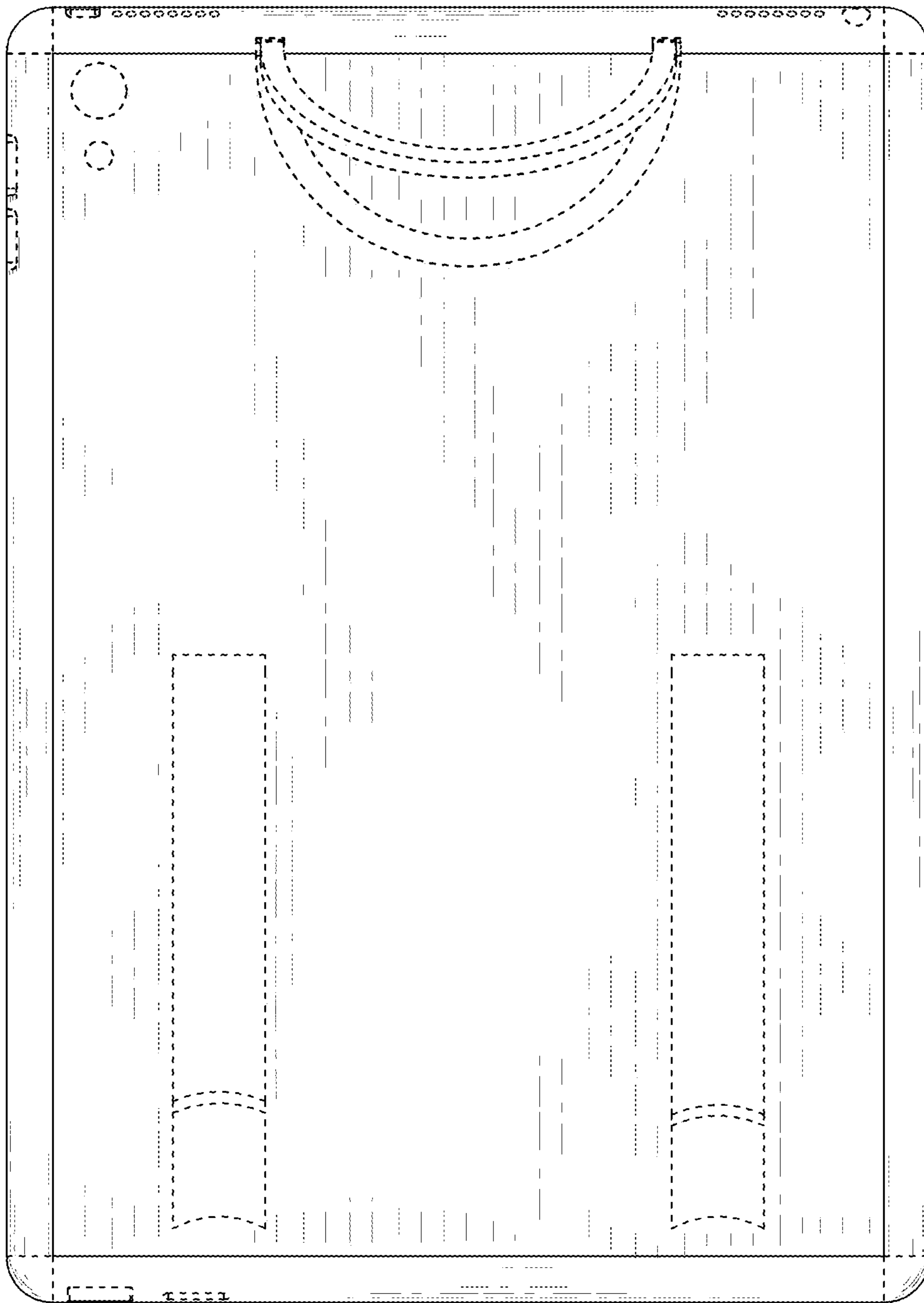


FIG.4

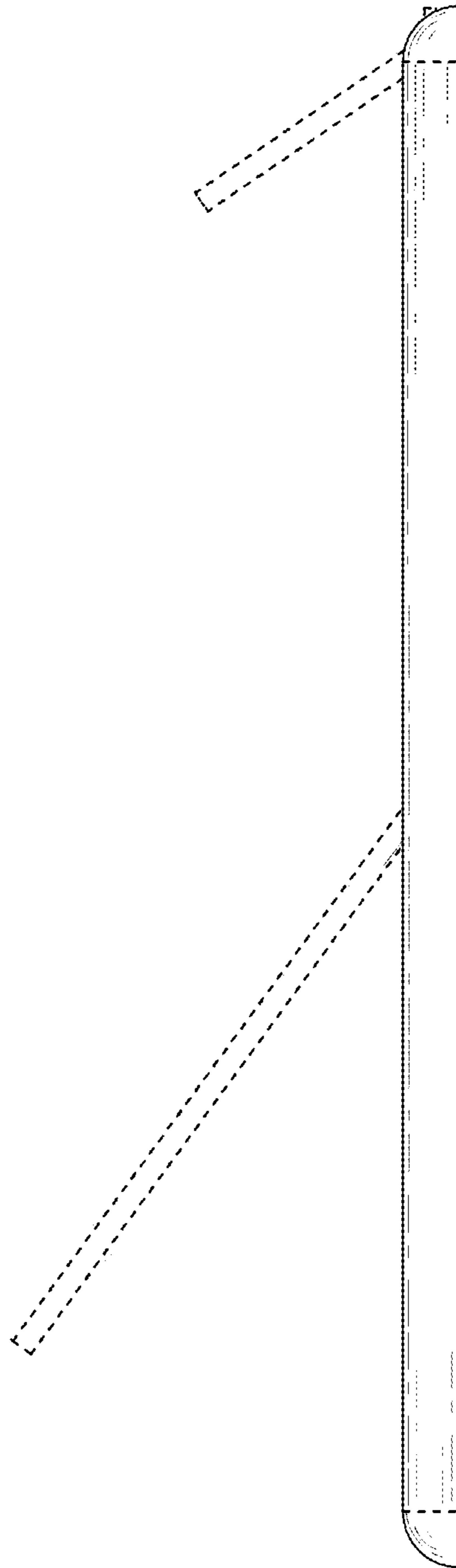


FIG.5

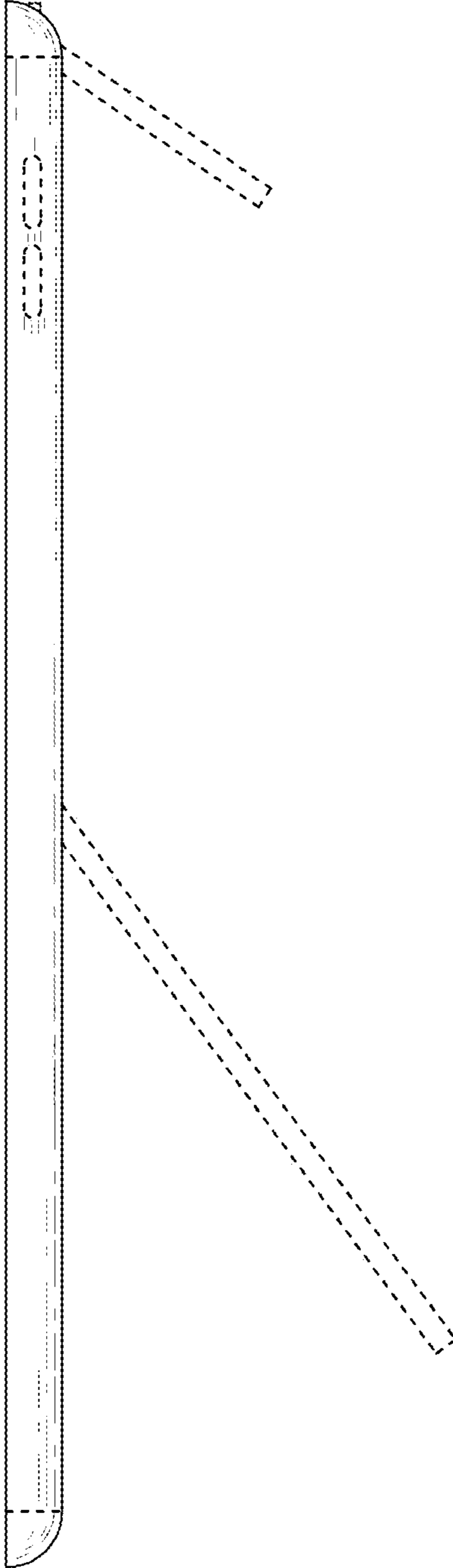


FIG.6

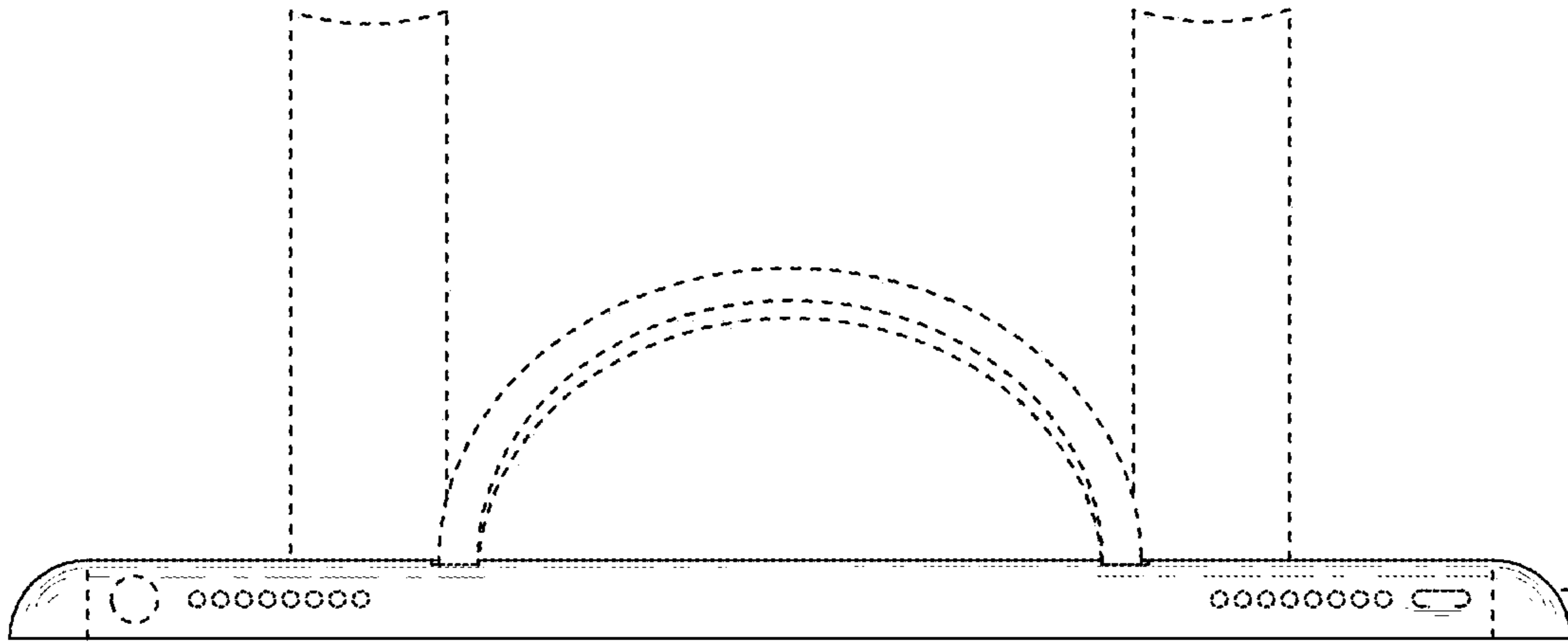


FIG.7

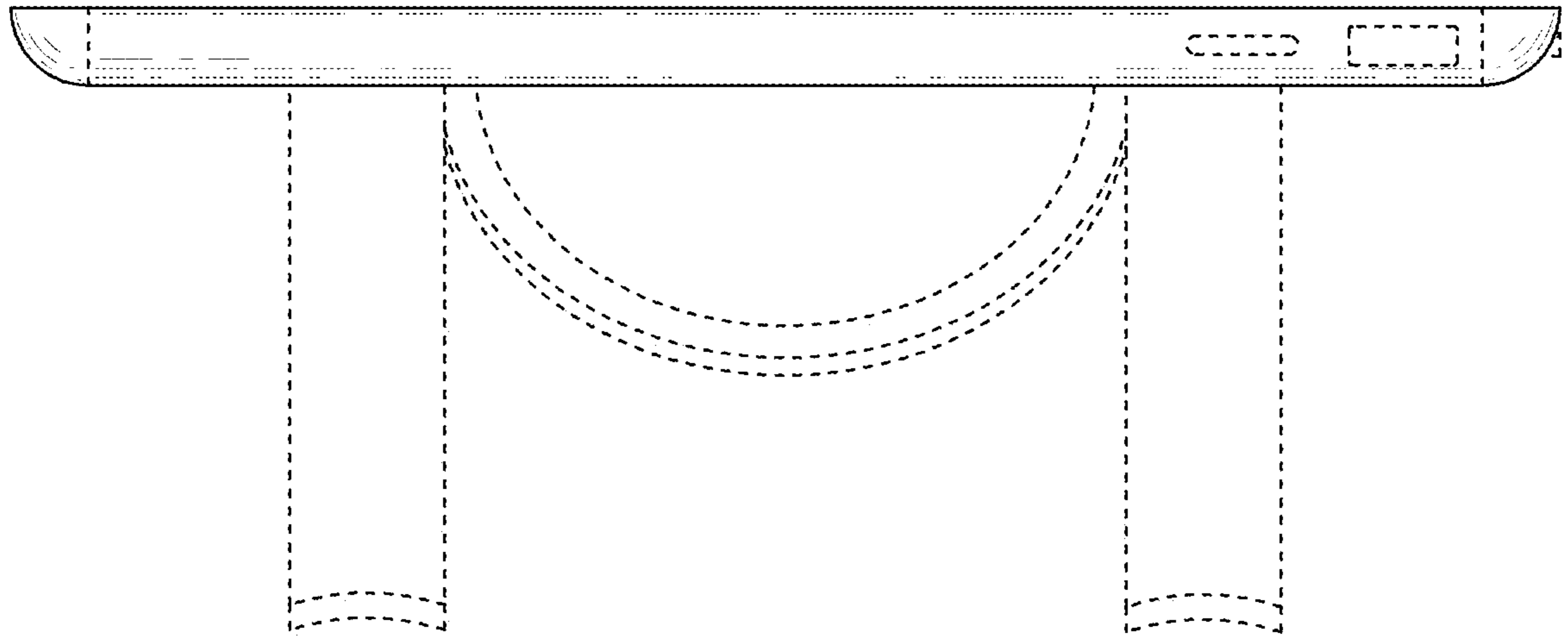


FIG.8