

US00D896886S

(12) **United States Design Patent** (10) **Patent No.:** **US D896,886 S**
Buckley (45) **Date of Patent:** **** Sep. 22, 2020**

(54) **CARD**
(71) Applicant: **Tab Investco Inc.**, Burlington (CA)
(72) Inventor: **Thomas Arthur Buckley**, Burlington (CA)
(73) Assignee: **Tab Investco Inc.**, Burlington, Ontario (CA)
(**) Term: **15 Years**
(21) Appl. No.: **29/684,394**
(22) Filed: **Mar. 20, 2019**
(51) **LOC (12) Cl.** **19-01**
(52) **U.S. Cl.**
USPC **D19/6**
(58) **Field of Classification Search**
USPC D19/1-10, 20-34; 40/124.01-124.15, 40/661, 776, 726, 538; 283/72, 75-76, 283/105-107, 82, 70, 904, 74; 206/449; D21/385; D20/10-11, 22, 27, 40, 42, D20/31-33, 99; 360/2; 235/380, 382; D7/517, 514; D11/150
CPC B42D 15/00; B42D 15/022; B42D 15/027; B42D 15/045; B42D 15/047; B42D 25/00; B42D 25/20; B42D 25/23; B42D 25/26; B42D 25/29; B42D 25/30; B42D 25/40; B42D 25/22; B42D 2033/02; B42D 2033/04; B42D 2033/08; B42D 2033/10; B42D 2033/16; B42D 2033/18; B42D 2033/20; B42D 2033/28; B42D 2033/30; G06K 19/06196; G06K 19/042
See application file for complete search history.

D260,626 S * 9/1981 Kadar D11/160
D298,686 S * 11/1988 Colclasure D2/617
D506,569 S * 6/2005 Chen D11/104
D769,371 S * 10/2016 De Felice D20/33
D827,487 S * 9/2018 van Langen D11/150

* cited by examiner

Primary Examiner — Abraham Bahta
(74) *Attorney, Agent, or Firm* — Jacob D. Merrill, Esq.; Anne F. Downey, Esq.; Harter Secrest & Emery LLP

(57) **CLAIM**

The ornamental design for a card, as shown and described.

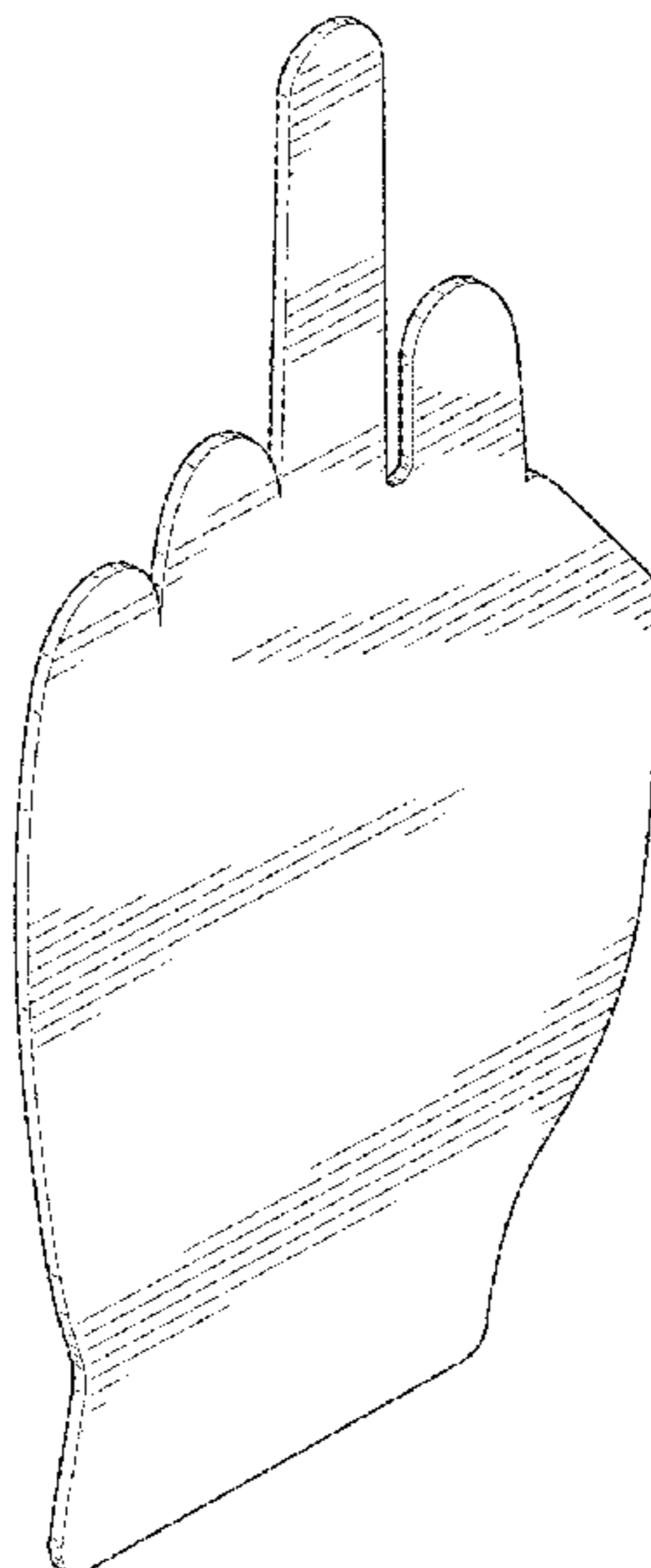
DESCRIPTION

FIG. 1 is a top, front, and left side perspective view of a card in accordance with a first embodiment of the present invention.
FIG. 2 is a front view thereof.
FIG. 3 is a right side view thereof.
FIG. 4 is a left side view thereof.
FIG. 5 is a top view thereof.
FIG. 6 is a bottom view thereof.
FIG. 7 is a back view thereof.
FIG. 8 is a top, front, and left side perspective view of the card in accordance with a second embodiment of the present invention.
FIG. 9 is a front view thereof.
FIG. 10 is a right side view thereof.
FIG. 11 is a left side view thereof.
FIG. 12 is a top view thereof.
FIG. 13 is a bottom view thereof; and,
FIG. 14 is a back view thereof.

(56) **References Cited**
U.S. PATENT DOCUMENTS

D120,914 S * 6/1940 Horther D27/114
D255,214 S * 6/1980 Creighton, Jr. D9/624

1 Claim, 4 Drawing Sheets



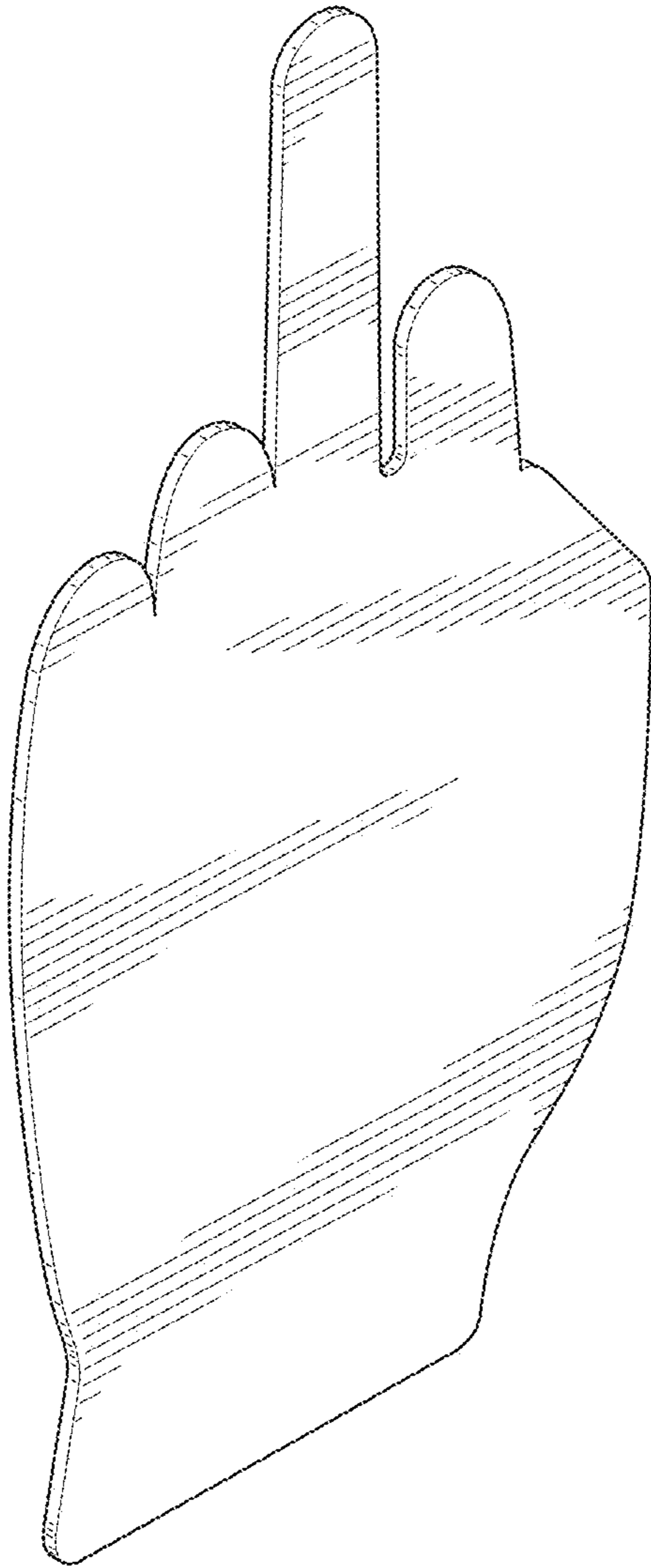


FIG. 1

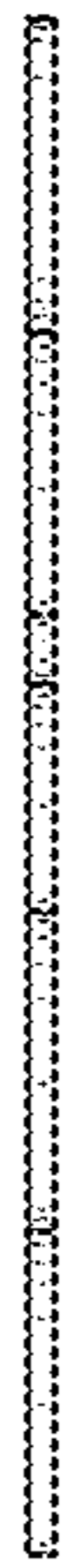


FIG. 5

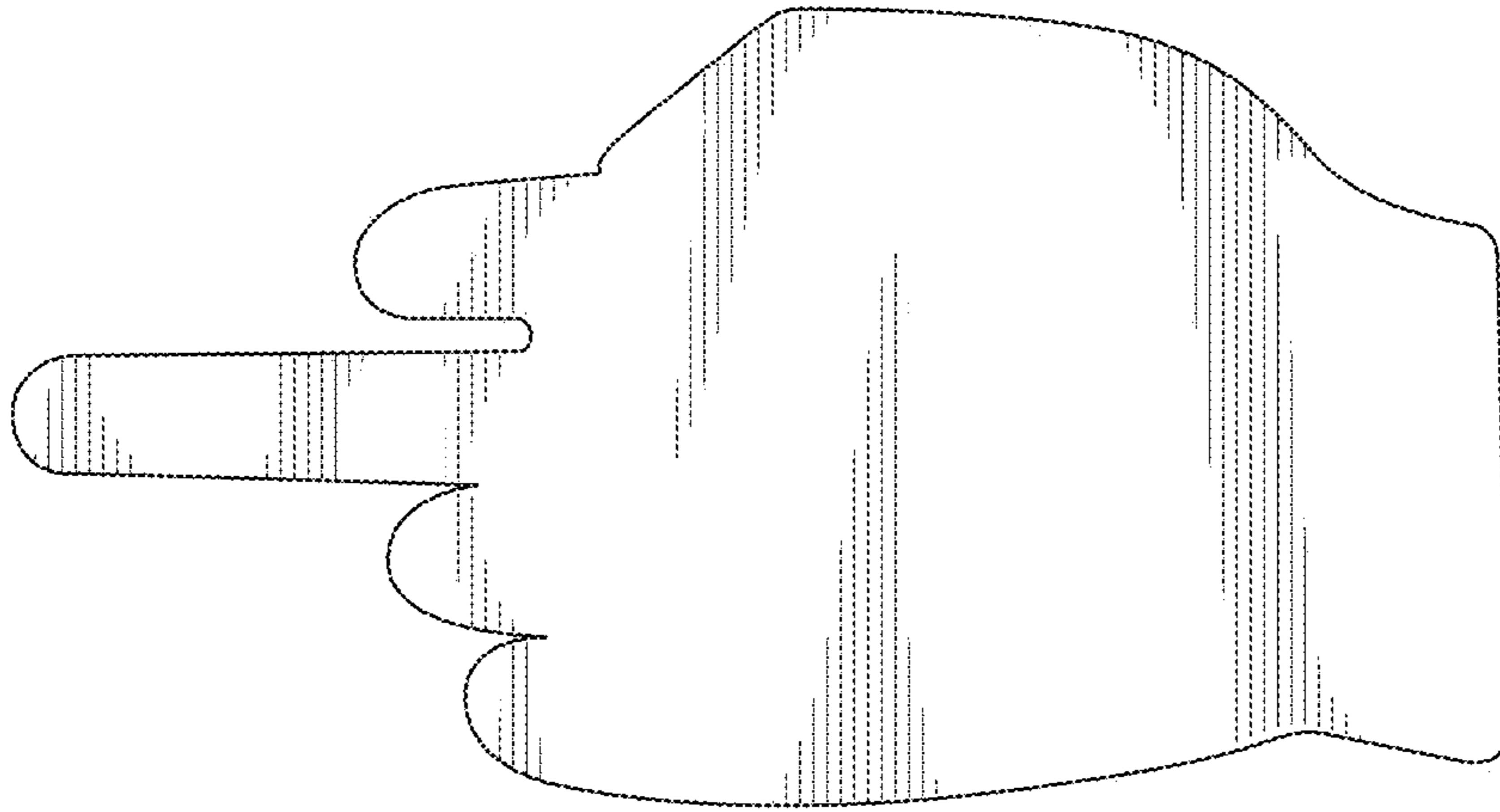


FIG. 2

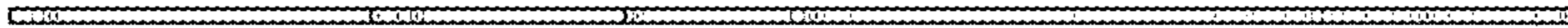


FIG. 3

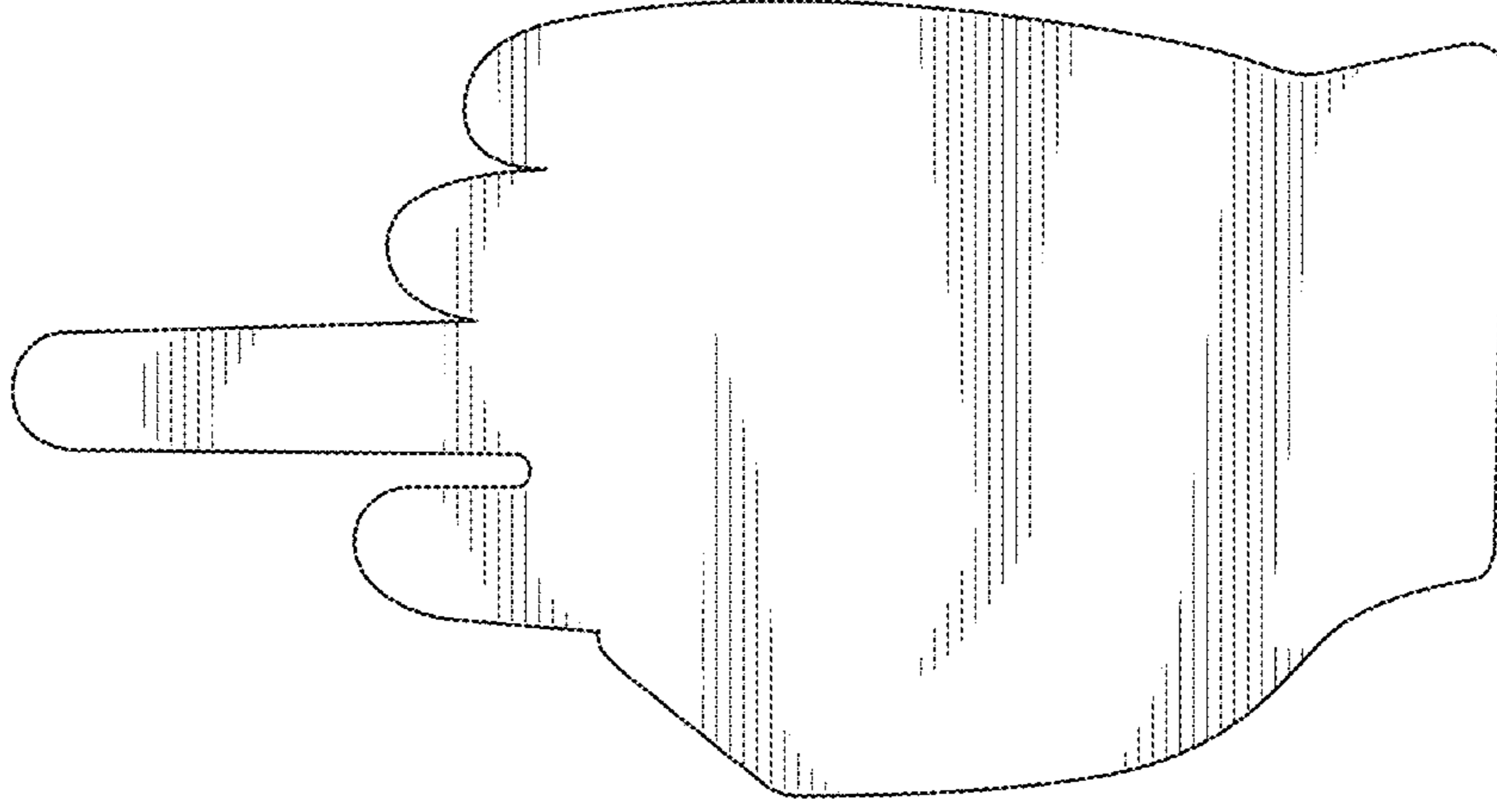


FIG. 7



FIG. 6

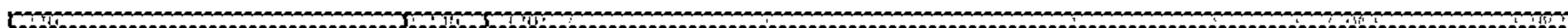


FIG. 4

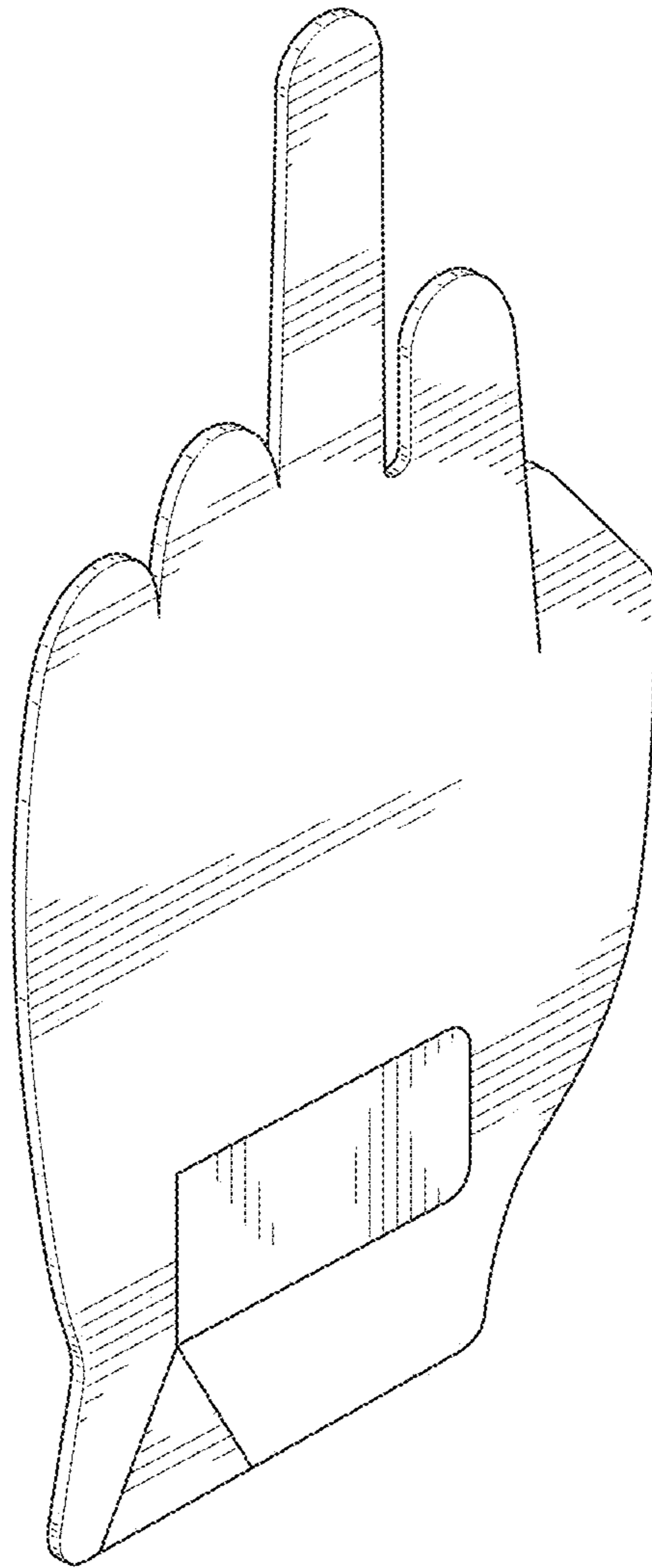


FIG. 8



FIG. 12

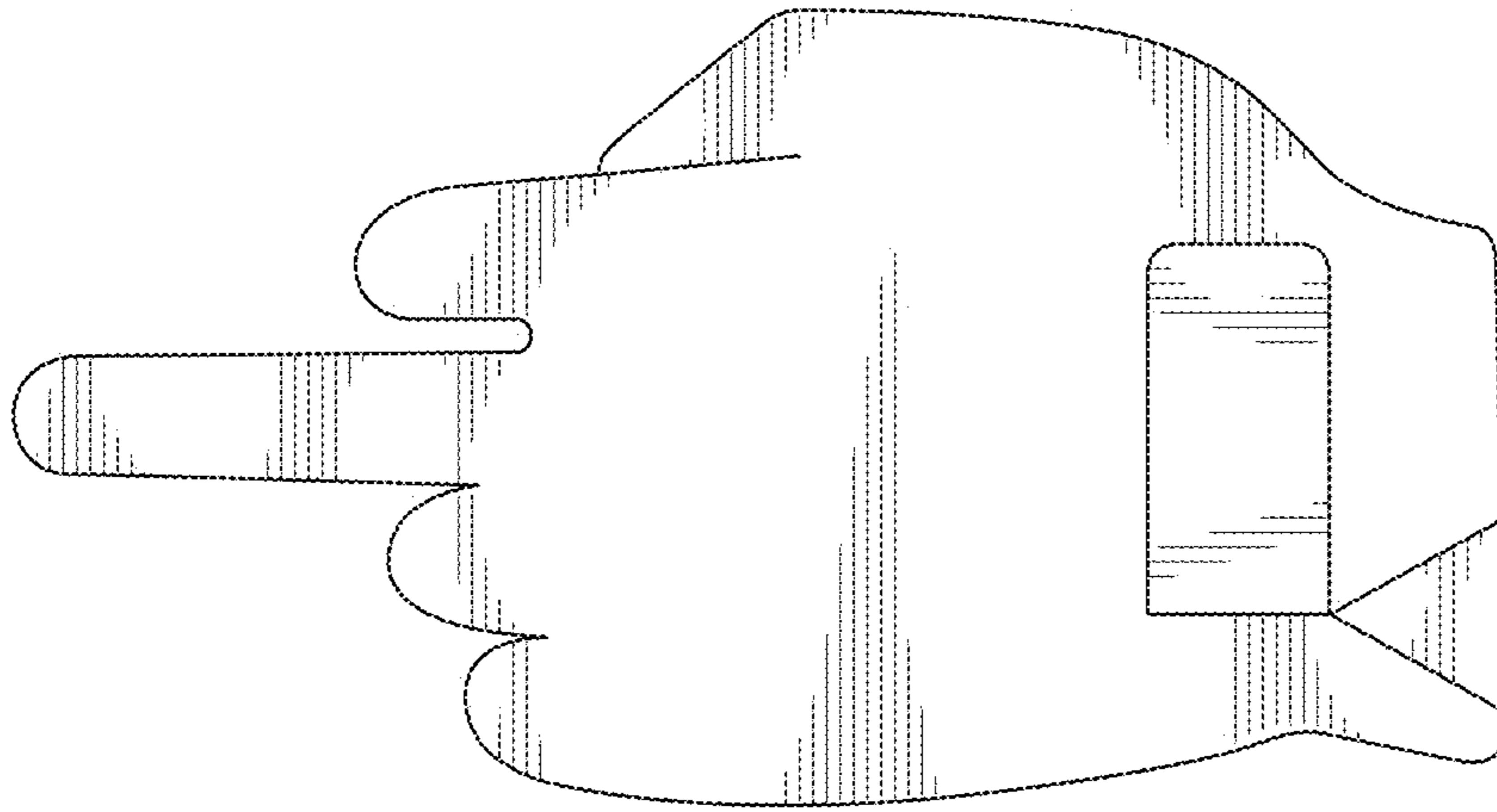


FIG. 9

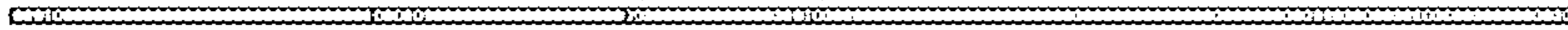


FIG. 10

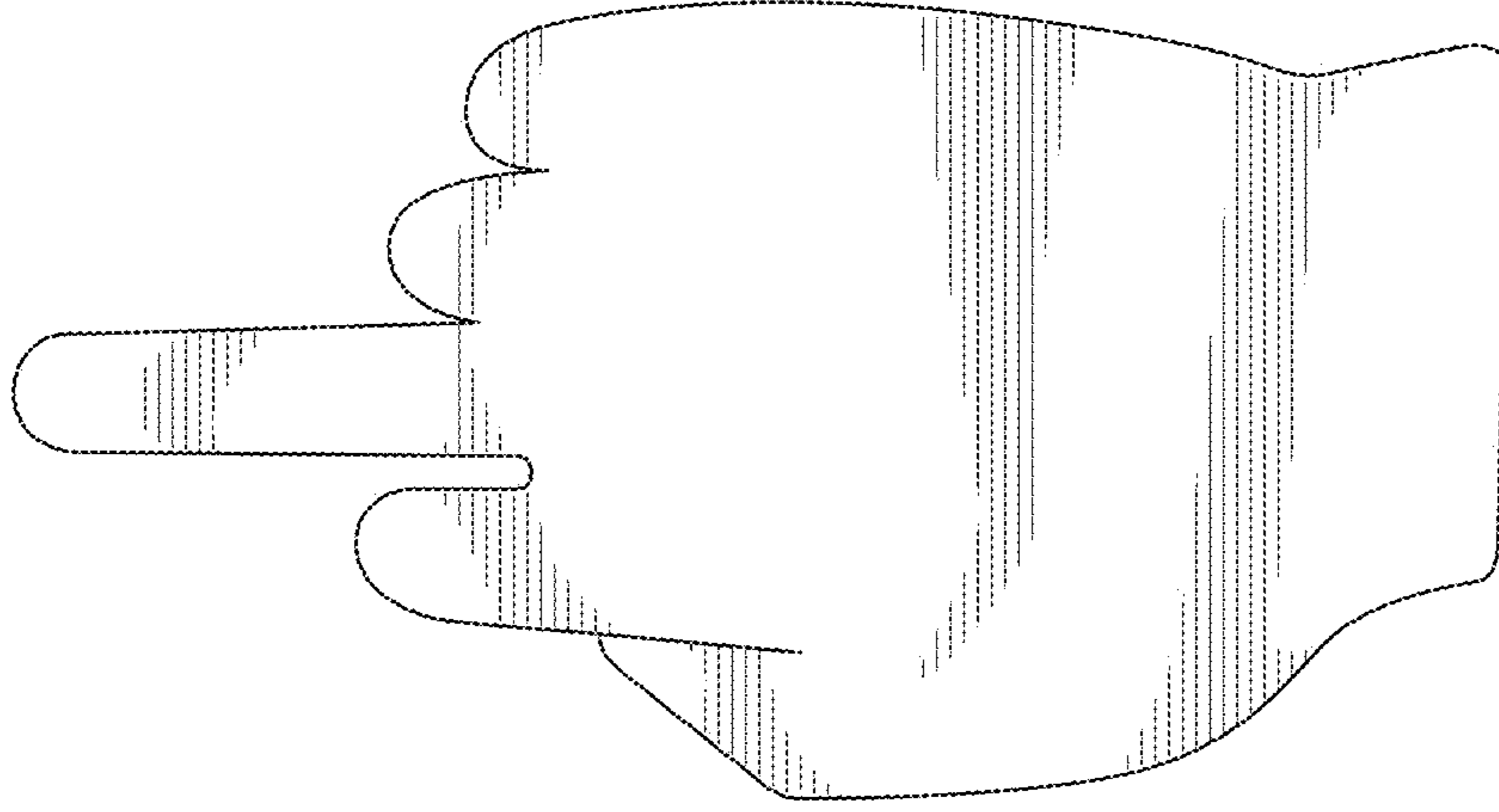


FIG. 14



FIG. 11

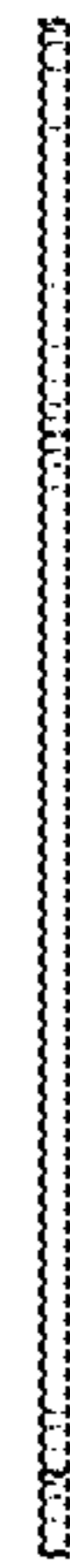


FIG. 13