



US00D896884S

(12) **United States Design Patent**
Kim et al.

(10) **Patent No.:** **US D896,884 S**
(45) **Date of Patent:** **** Sep. 22, 2020**

(54) **MULTIFUNCTION PRINTER**

- (71) Applicant: **Hewlett-Packard Development Company, L.P.**, Spring, TX (US)
- (72) Inventors: **Kyonghwan Kim**, Seoul (KR); **Andrew Chick**, Vancouver, WA (US); **Matthew Storey**, Austin, TX (US); **Pratik Shah**, San Diego, CA (US); **Eun-Kyung Yun**, Seoul (KR); **Hye Heon Jung**, Gimpo-si (KR); **Robert Moser**, Suwon-si (KR); **Min-Chul Lee**, Suwon (KR); **Changyeop Oh**, Suwon-si (KR); **Kenneth K. Smith**, Boise, ID (US)
- (73) Assignee: **HEWLETT-PACKARD DEVELOPMENT COMPANY L.P.**, Spring, TX (US)

(**) Term: **15 Years**

(21) Appl. No.: **29/683,051**

(22) Filed: **Mar. 11, 2019**

(51) **LOC (12) Cl.** **14-02**

(52) **U.S. Cl.**
USPC **D18/50**

(58) **Field of Classification Search**
USPC D18/50, 53, 54, 55, 59, 36, 37, 38, 39, D18/40, 41, 45, 56; D14/301, 307, 121
(Continued)

(56) **References Cited**

U.S. PATENT DOCUMENTS

- D295,529 S * 5/1988 Masaki D18/37
 - D299,927 S * 2/1989 Aoyama D18/37
- (Continued)

FOREIGN PATENT DOCUMENTS

- CN 305581138 * 1/2020
 - EM 000829965-0001 * 1/2008
- (Continued)

OTHER PUBLICATIONS

Apple. Link: <https://www.apple.com/shop/product/HKUF2VC/A/hp-officejet-pro-7740-all-in-one-wide-format-printer>. Visited Apr. 19, 2020. HP OfficeJet Pro 7740 All-in-One Wide Format Printer. (Year: 2020).*

Primary Examiner — Lauren D McVey
(74) *Attorney, Agent, or Firm* — Staas & Halsey LLP

(57) **CLAIM**

We claim the ornamental design for a multifunction printer, as shown and described.

DESCRIPTION

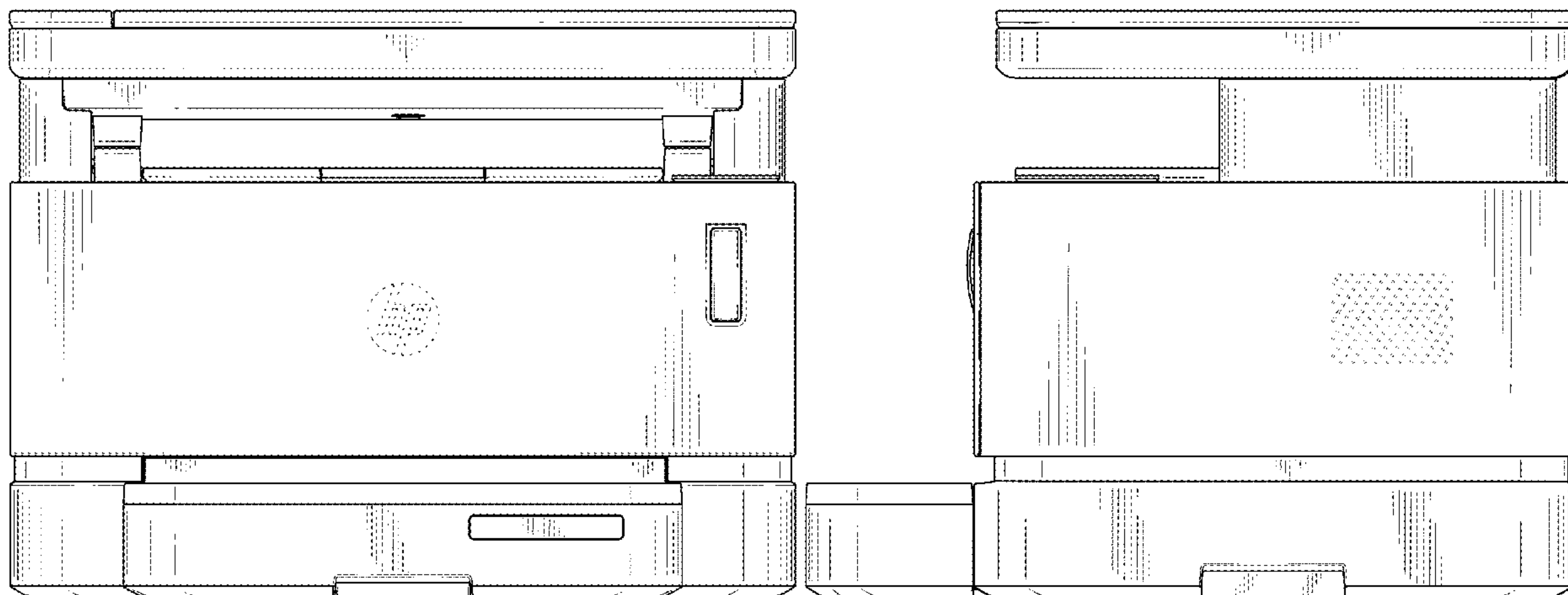
FIG. 1 is a front perspective view of a multifunction printer showing our new design;
 FIG. 2 is a front view thereof;
 FIG. 3 is a rear view thereof;
 FIG. 4 is a left-side view thereof;
 FIG. 5 is a right-side view thereof;
 FIG. 6 is a top view thereof;
 FIG. 7 is a bottom view thereof; and,
 FIG. 8 is a rear perspective view thereof;
 FIG. 9 is an enlarged view of the encircled portion in FIG. 1;
 FIG. 10 is an exploded view thereof; and,
 FIG. 11 is another exploded view thereof.

The outermost evenly spaced broken lines immediately adjacent to the full line showing the claimed design represent the bounds of the claimed design while all other evenly spaced broken lines are directed to environment. The broken lines form no part of the claimed design.

The dot-dash broken lines encircling portions of the claimed design that are illustrated in enlargements form no part of the claimed design.

The lettering and icon forming part of the disclosure is a registered trademark of HP HEWLETT PACKARD GROUP LLC.

(Continued)



The multifunction printer shown in FIGS. 10 and 11 has been reduced in size proportionally and dimensionally in order to accommodate the exploded views that are shown.

1 Claim, 11 Drawing Sheets

(58) **Field of Classification Search**

CPC H04N 1/00278; H04N 1/00204; H04N 1/00249; G06K 15/12; G06K 15/14; B41J 3/00; B41J 3/28; B41J 3/445; B41J 3/46
See application file for complete search history.

(56) **References Cited**

U.S. PATENT DOCUMENTS

D318,876 S * 8/1991 Katada D18/39
D339,373 S * 9/1993 Gasset D18/36
D448,403 S * 9/2001 Omuro D14/425
D555,194 S * 11/2007 Smith D18/55
D558,824 S * 1/2008 Alfonso D18/55
D681,107 S * 4/2013 Larson D14/420
D694,316 S * 11/2013 Jihoon D18/50
9,674,382 B2 * 6/2017 Larson H04N 1/00551
D814,560 S * 4/2018 Chin D18/50
D815,195 S * 4/2018 Chin D18/50
D818,533 S * 5/2018 Su D18/55

FOREIGN PATENT DOCUMENTS

JP 2017202679 A * 11/2017 B41J 11/06
JP 2017202681 A * 11/2017 B41J 11/02

* cited by examiner

FIG. 1

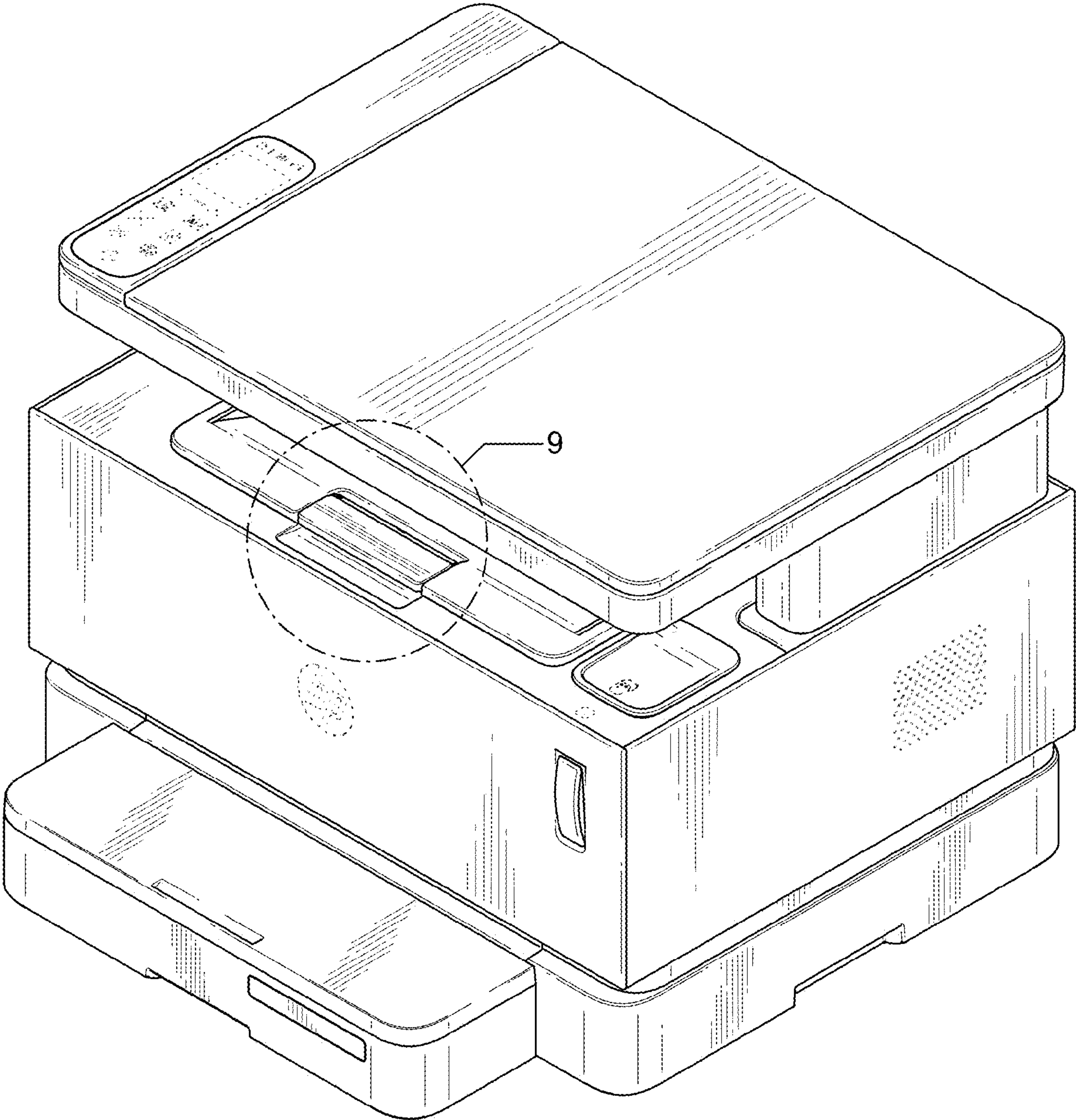


FIG. 2

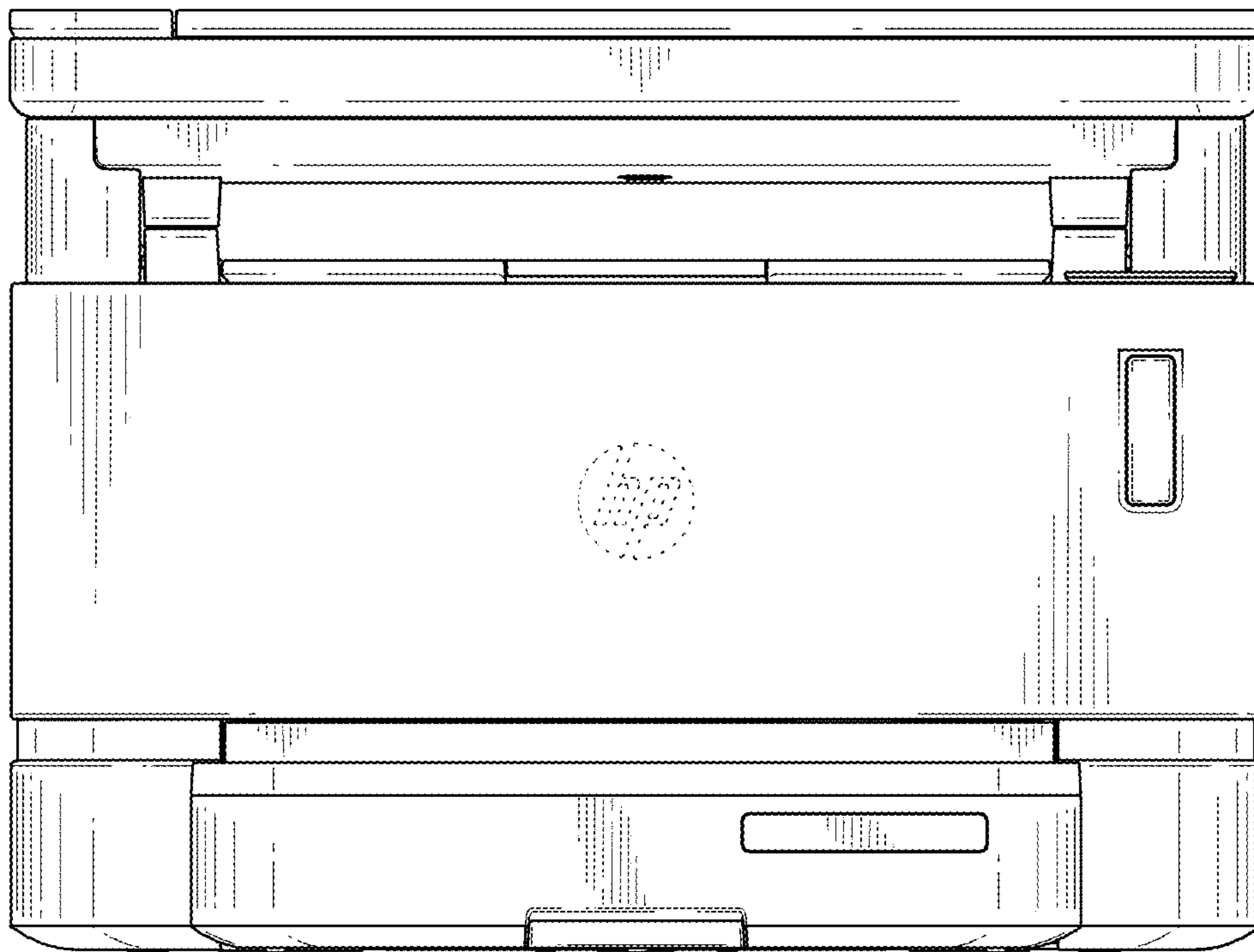


FIG. 3

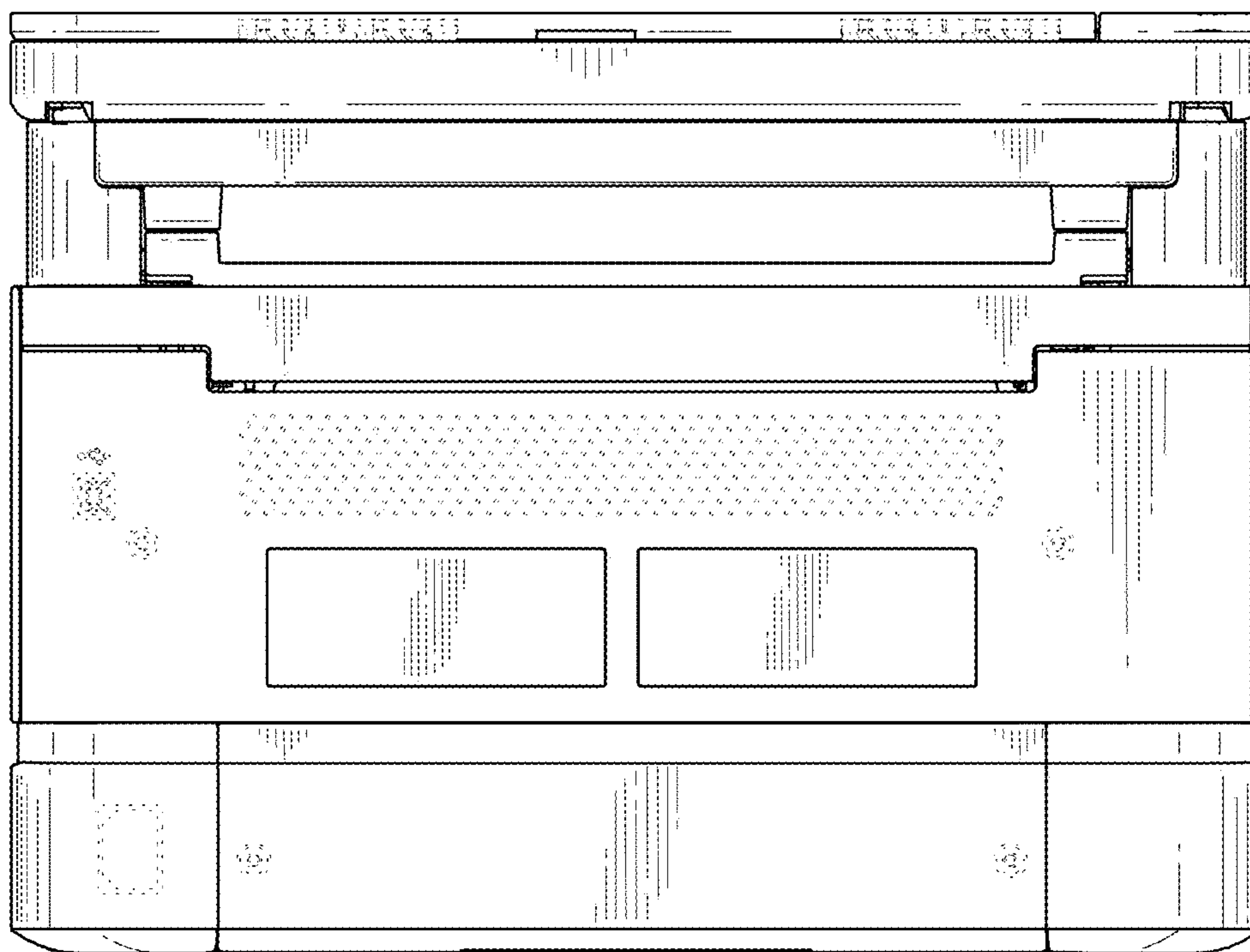
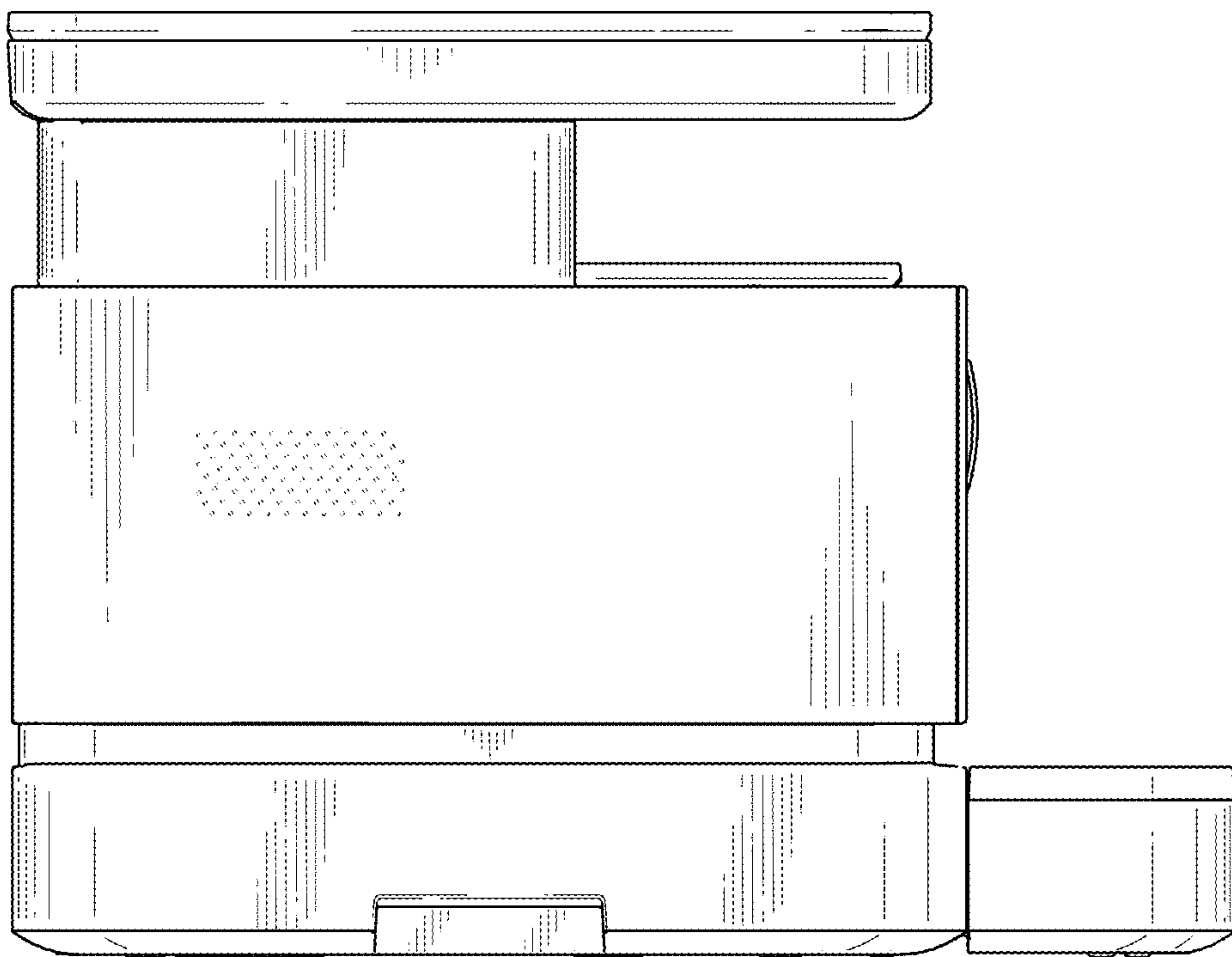


FIG. 4



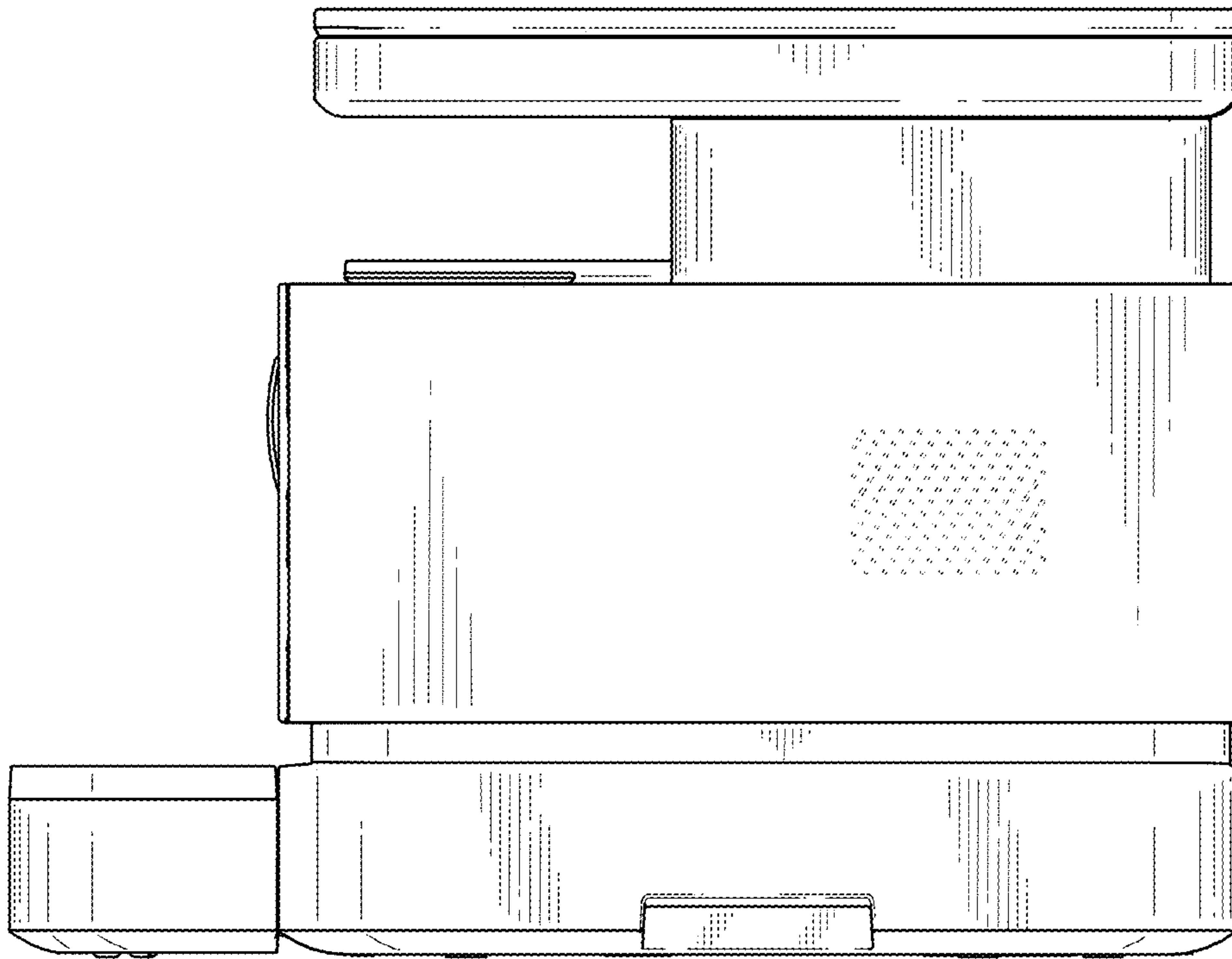


FIG. 5

FIG. 6

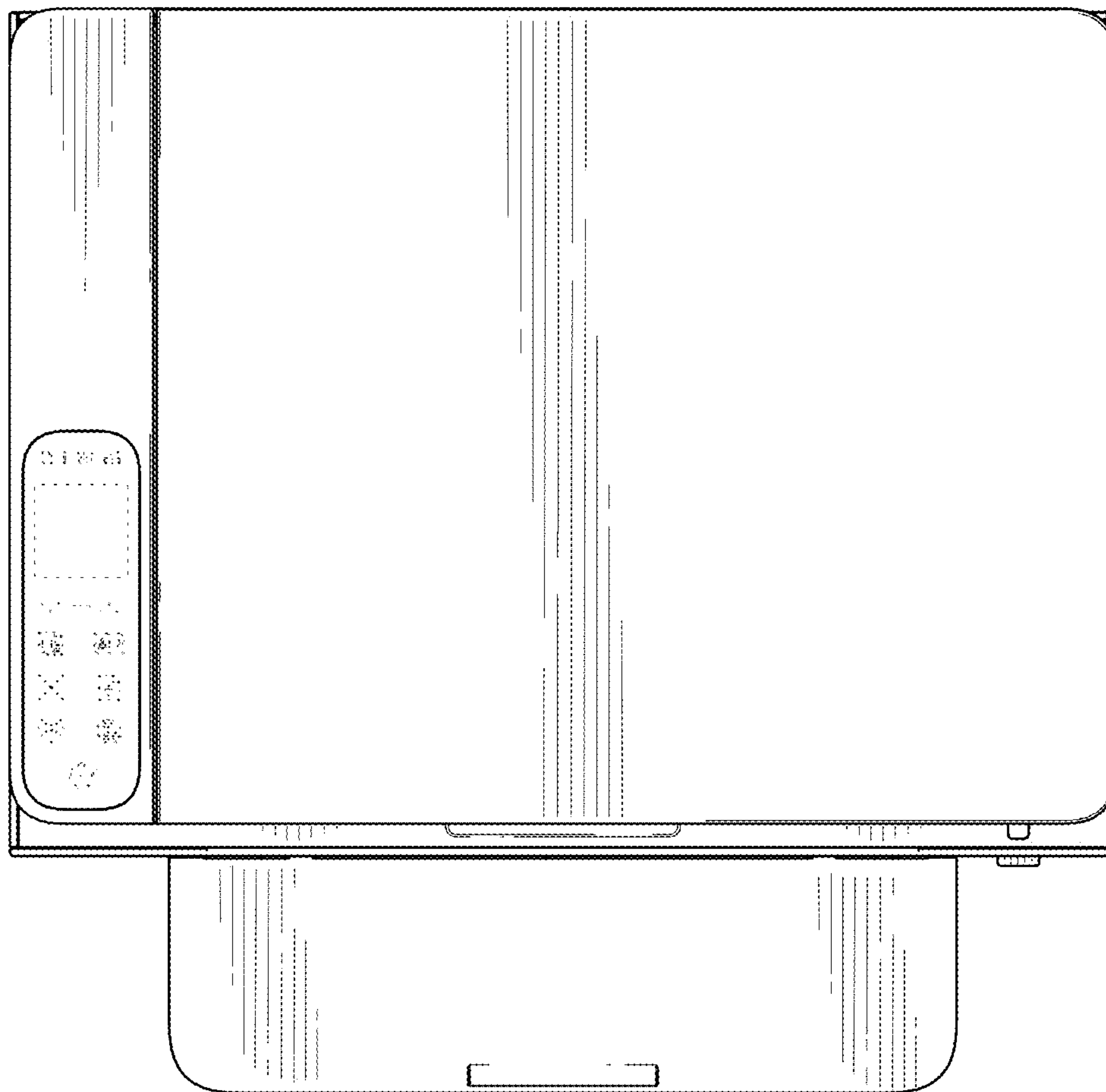


FIG. 7

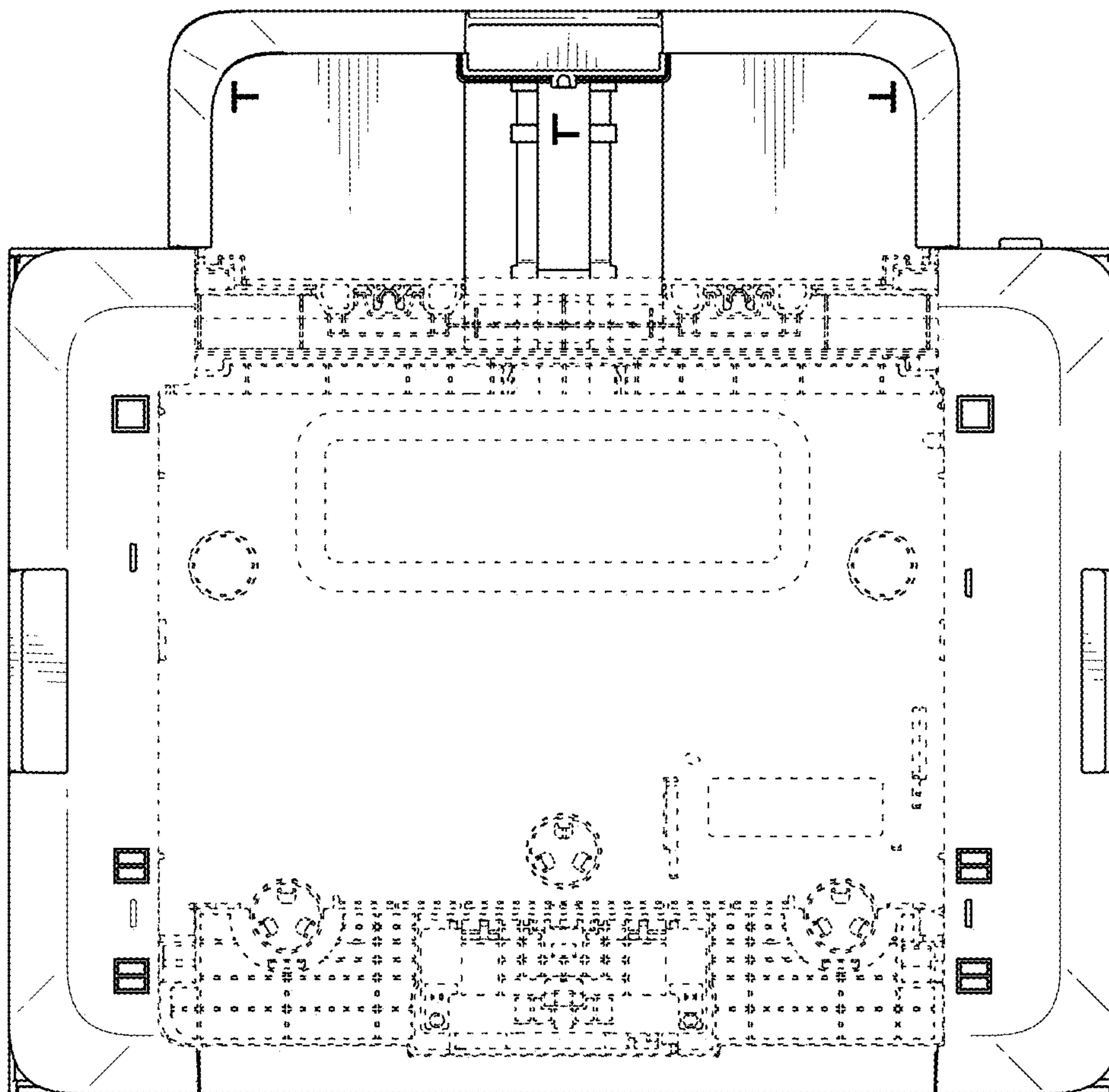


FIG. 8

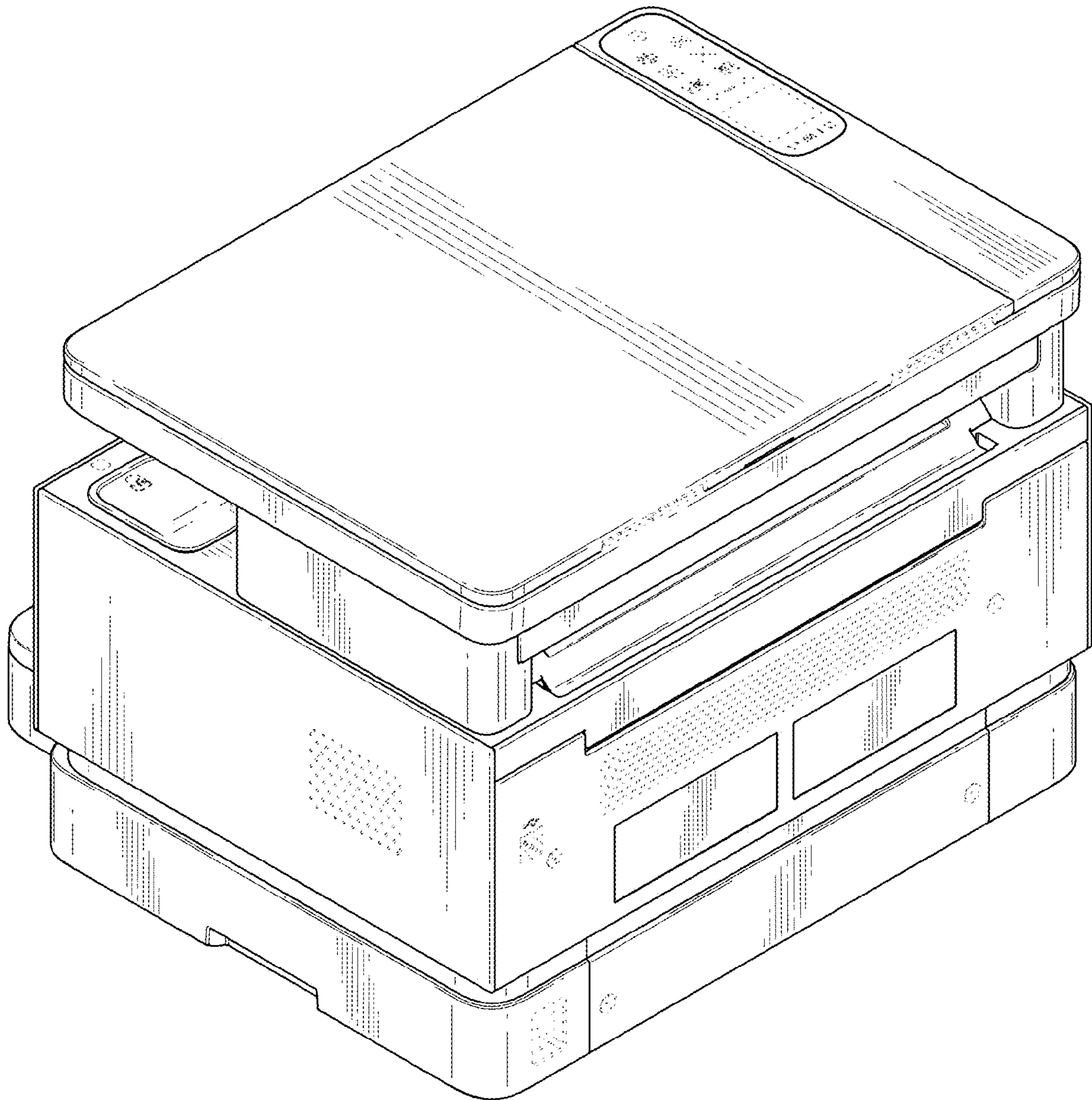


FIG. 9

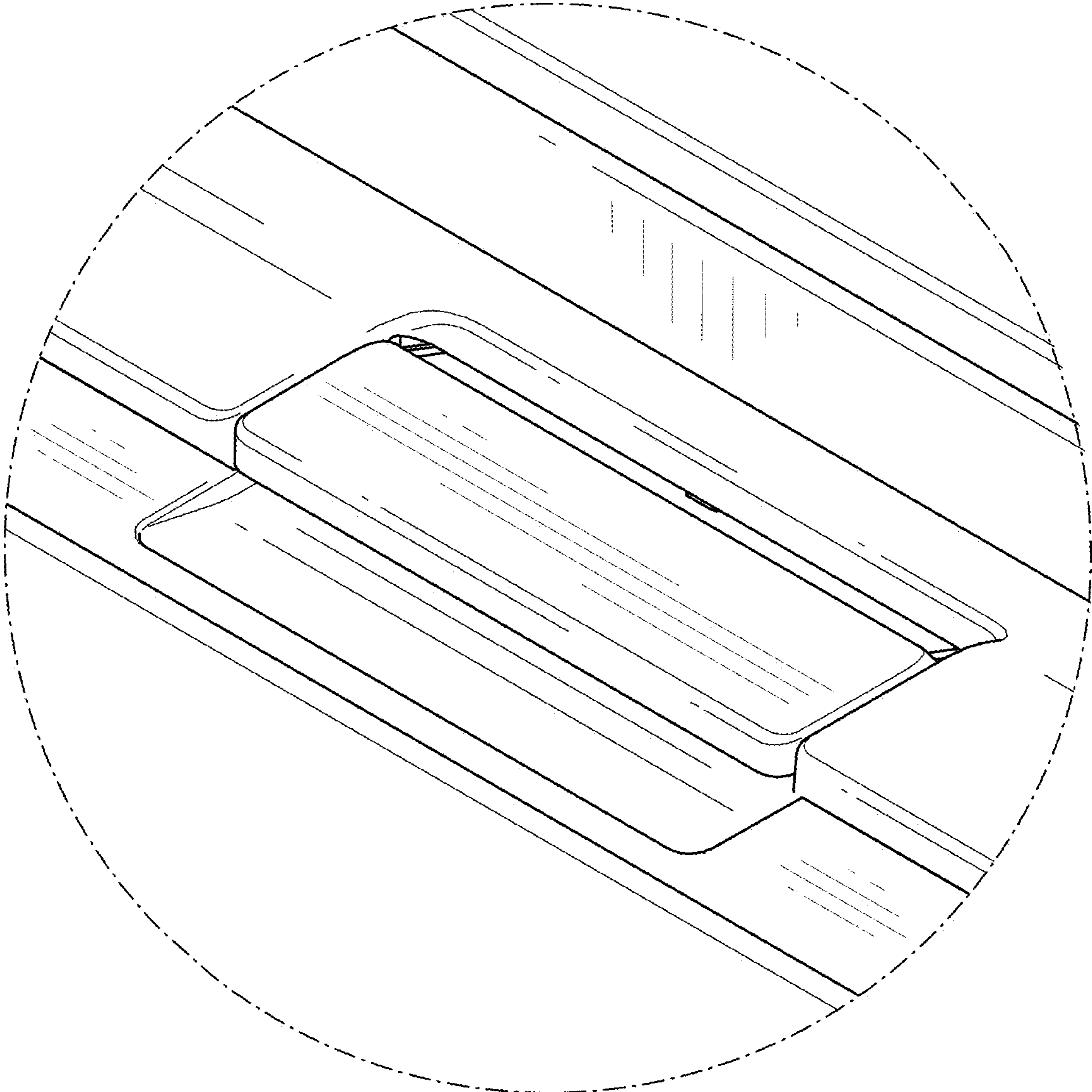


FIG. 10

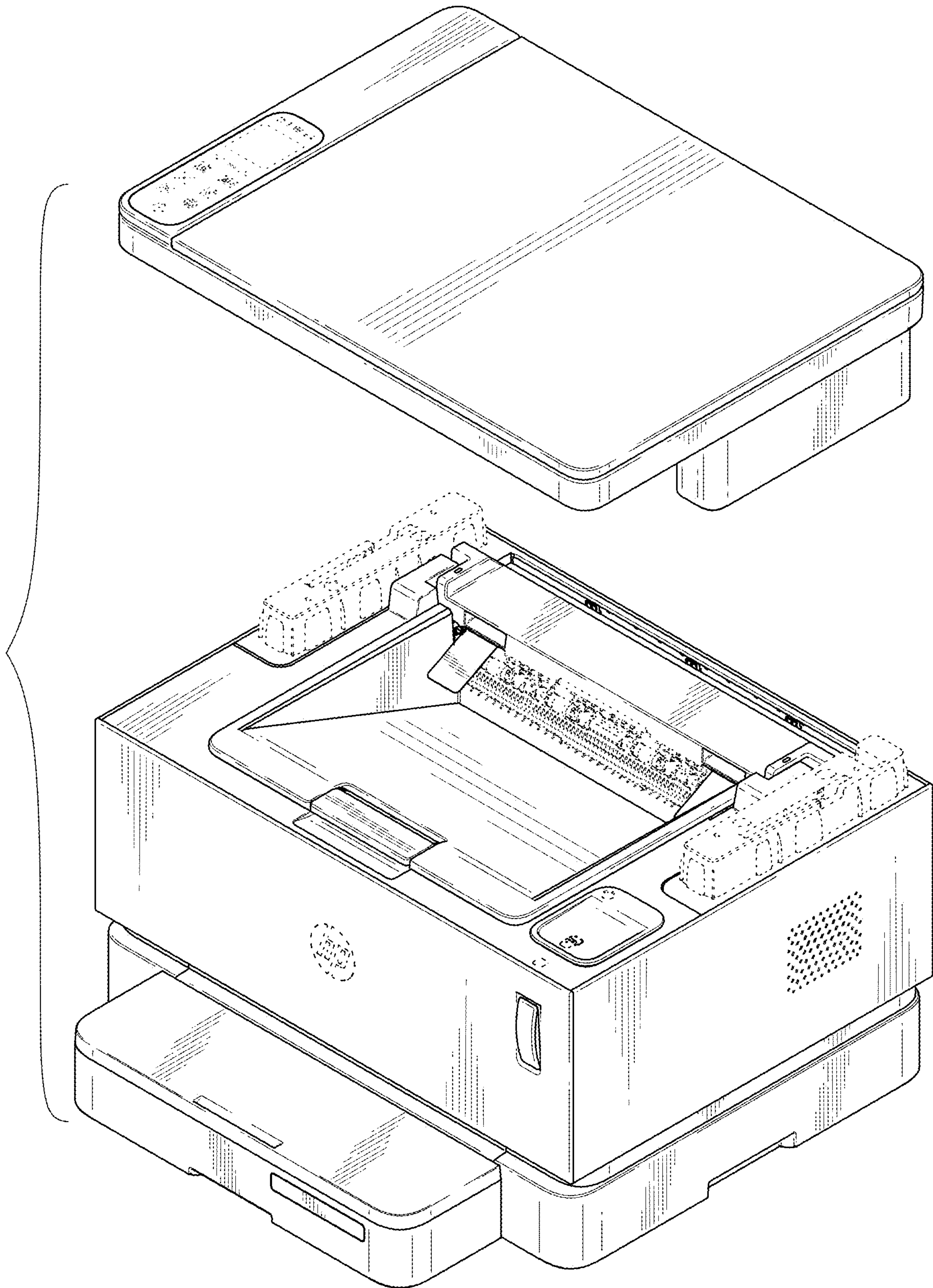


FIG. 11

