



US00D896883S

(12) **United States Design Patent**
Ohashi et al.

(10) **Patent No.:** **US D896,883 S**
(45) **Date of Patent:** **** Sep. 22, 2020**

(54) **INK CARTRIDGE FOR COMPUTER PRINTERS**

FOREIGN PATENT DOCUMENTS

(71) Applicant: **CANON KABUSHIKI KAISHA**,
Tokyo (JP)

JP D1115942 7/2001
JP D1165199 2/2003

(Continued)

(72) Inventors: **Tetsuya Ohashi**, Tokyo (JP); **Ryoji Inoue**, Tokyo (JP); **Hironori Murakami**, Tokyo (JP); **Takeho Miyashita**, Tokyo (JP); **Takashi Fukushima**, Tokyo (JP); **Yasuo Kotaki**, Tokyo (JP); **Kyosuke Nagaoka**, Tokyo (JP)

OTHER PUBLICATIONS

Screenshot of C-EXV 32 Printer Toner Cartridge for Canon Printer IR2535I. © 2014-2019; one page. Found online Nov. 27, 2019 at <http://www.copier-tonercartridge.com/sale-9672153-c-exv-32-printer-toner-cartridge-for-canon-printer-ir2535i-imagerunner-machines.html> (Year: 2019).*

(Continued)

(**) Term: **15 Years**

Primary Examiner — Robert M. Spear

(21) Appl. No.: **35/506,485**

(22) Filed: **Sep. 28, 2018**

(57) **CLAIM**

The ornamental design for an ink cartridge for computer printers, as shown and described.

(80) **Hague Agreement Data**

Int. Filing Date: **Sep. 28, 2018**
Int. Reg. No.: **DM/200220**
Int. Reg. Date: **Sep. 28, 2018**
Int. Reg. Pub. Date: **Mar. 29, 2019**

DESCRIPTION

(30) **Foreign Application Priority Data**

Mar. 29, 2018 (JP) 2018-006724
Mar. 29, 2018 (JP) 2018-006725

- 1.1—Right side elevational view;
- 1.2—Left side elevational view;
- 1.3—Top plan view;
- 1.4—Bottom plan view;
- 1.5—Front elevational view;
- 1.6—Rear elevational view;
- 1.7—Top front perspective view;
- 1.8—Bottom front perspective view;
- 1.9—Top rear perspective view;
- 1.10—Bottom rear perspective view;
- 2.1—Right side elevational view;
- 2.2—Left side elevational view;
- 2.3—Top plan view;
- 2.4—Bottom plan view;
- 2.5—Front elevational view;
- 2.6—Rear elevational view;
- 2.7—Top front perspective view;
- 2.8—Bottom front perspective view;
- 2.9—Top rear perspective view;

(51) **LOC (12) Cl.** **16-03**

(52) **U.S. Cl.**
USPC **D18/43**

(58) **Field of Classification Search**
USPC D18/40, 43; D14/462, 471
(Continued)

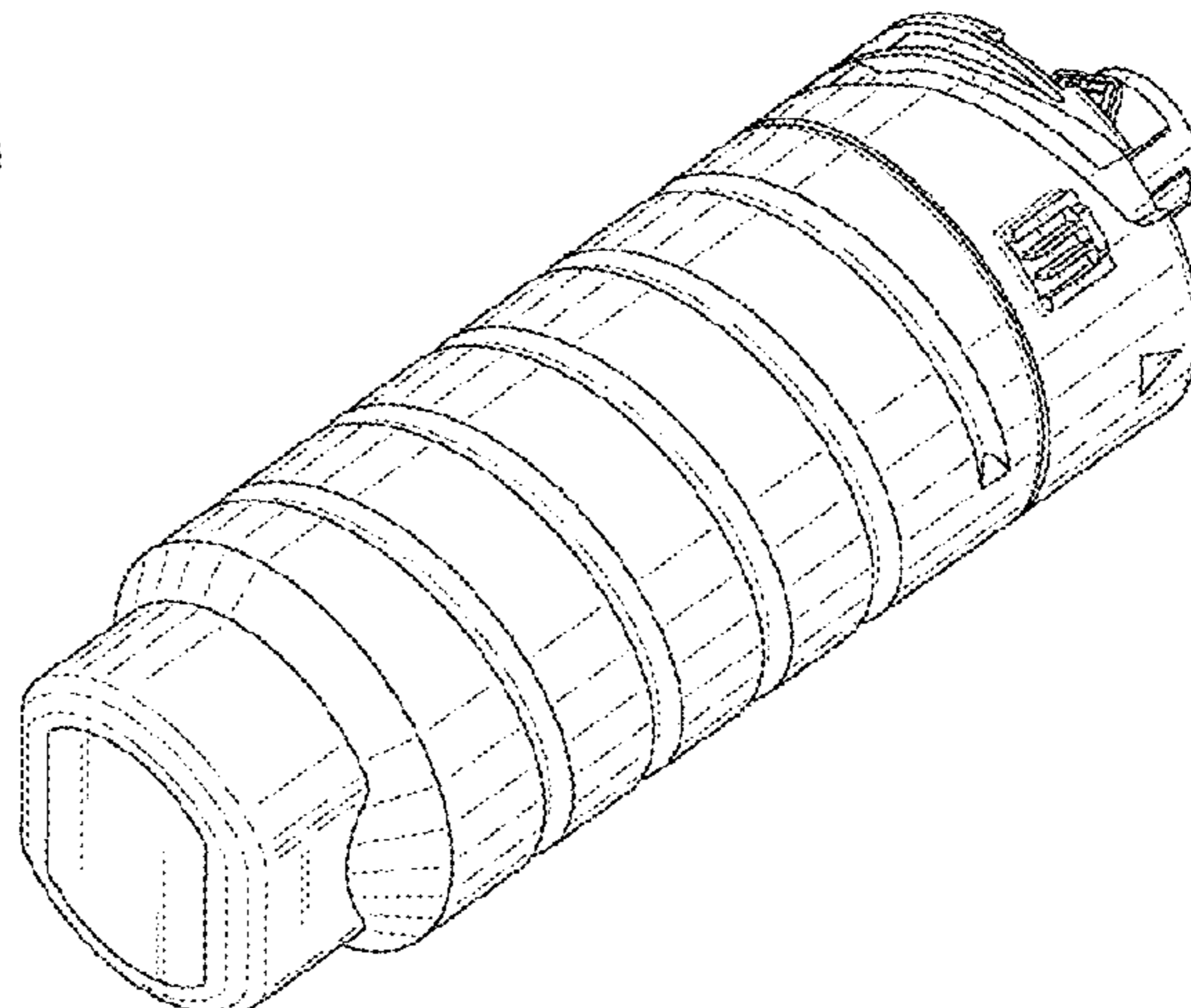
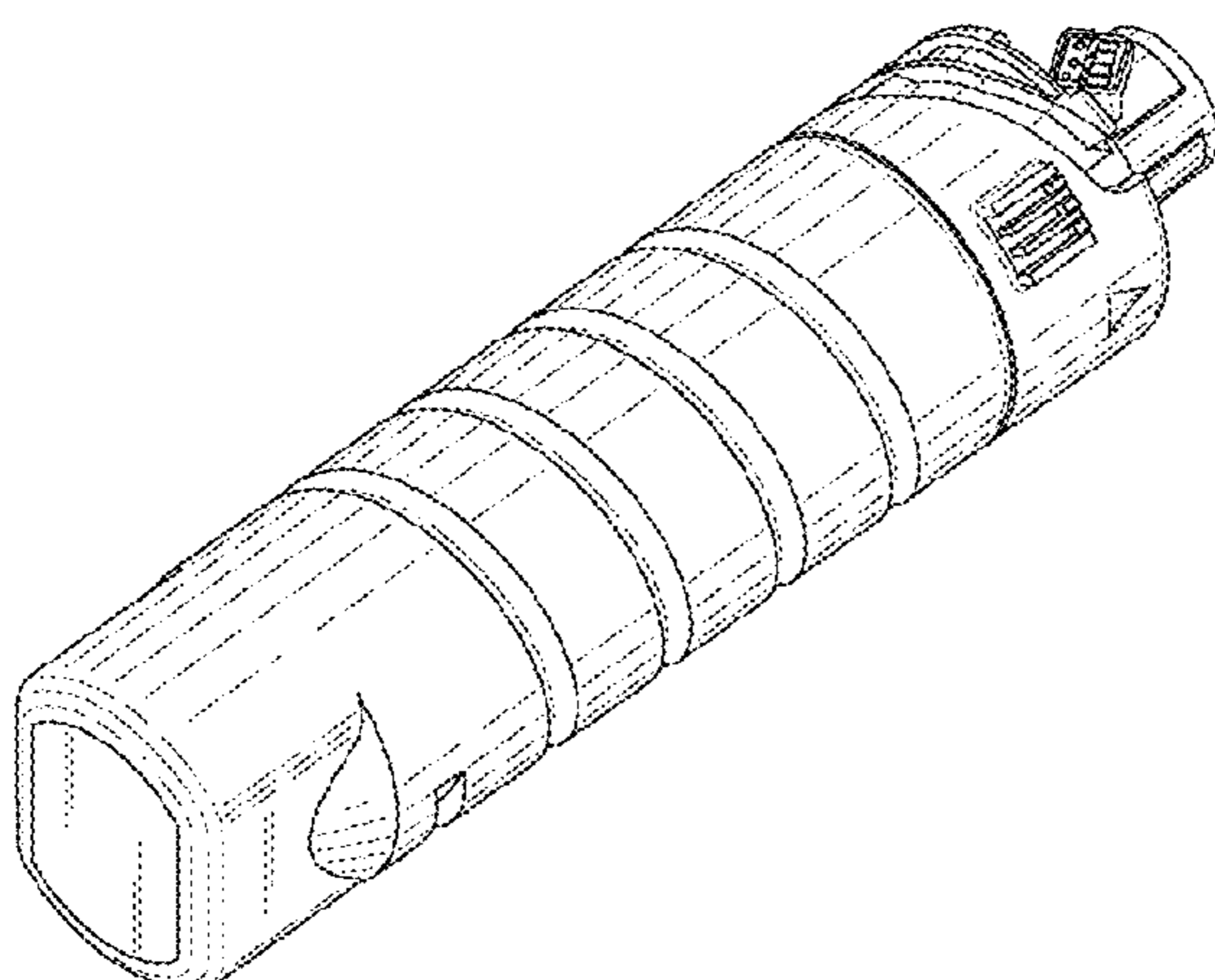
(Continued)

(56) **References Cited**

U.S. PATENT DOCUMENTS

D365,359 S * 12/1995 Ichikawa D18/43
D376,614 S * 12/1996 Ichikawa D18/40

(Continued)



2.10—Bottom rear perspective view.

1 Claim, 20 Drawing Sheets

(58) **Field of Classification Search**

CPC G03G 21/16; G03G 21/1814; G03G 15/0142; G03G 15/00; B41J 2/17503
See application file for complete search history.

(56) **References Cited**

U.S. PATENT DOCUMENTS

D430,197 S *	8/2000	Wang	D18/43
D431,595 S *	10/2000	Wang	D18/43
D436,121 S *	1/2001	Wang	D18/43
D437,346 S *	2/2001	Wang	D18/43
D437,347 S *	2/2001	Wang	D18/43
D447,167 S	8/2001	Taniyama		
D458,961 S *	6/2002	Wang	D18/43
D458,962 S *	6/2002	Wang	D18/43
D531,662 S	11/2006	Tsuda et al.		
D532,037 S *	11/2006	Tsuda	D18/43
7,561,821 B2 *	7/2009	Koyama G03G 15/0872	399/106
D599,845 S	9/2009	Kurenuma et al.		
D602,985 S	10/2009	Yoshizawa		
D611,532 S	3/2010	Nanjo et al.		
D614,231 S *	4/2010	Yamada G03G 15/0872	D18/43
D614,232 S	4/2010	Yamada		
D615,124 S	5/2010	Nakajima et al.		
D615,584 S	5/2010	Jimba et al.		
D616,491 S	5/2010	Yomoda et al.		
D624,960 S	10/2010	Inoue et al.		
D626,173 S	10/2010	Inoue et al.		
D685,841 S *	7/2013	Okino	D18/43

D689,129 S *	9/2013	Okino	D18/43
D696,718 S	12/2013	Murakami et al.		
D696,719 S	12/2013	Murakami et al.		
D696,720 S	12/2013	Hayashi et al.		
D696,721 S	12/2013	Kitagawa et al.		
D699,284 S	2/2014	Nanjo et al.		
D711,462 S *	8/2014	Jimba	D18/43
D734,386 S *	7/2015	Kikuchi	D18/43
9,244,425 B2 *	1/2016	Tahara G03G 21/1633	
D767,672 S	9/2016	Nanjo et al.		
D767,673 S	9/2016	Nanjo et al.		
D767,674 S	9/2016	Nanjo et al.		
D767,675 S	9/2016	Nanjo et al.		
D785,087 S	4/2017	Hayashi et al.		
D791,868 S	7/2017	Hayashi et al.		
D792,509 S	7/2017	Hayashi et al.		
D794,708 S	8/2017	Iinuma et al.		
D816,153 S	4/2018	Oizumi et al.		
D831,739 S	10/2018	Iinuma et al.		

FOREIGN PATENT DOCUMENTS

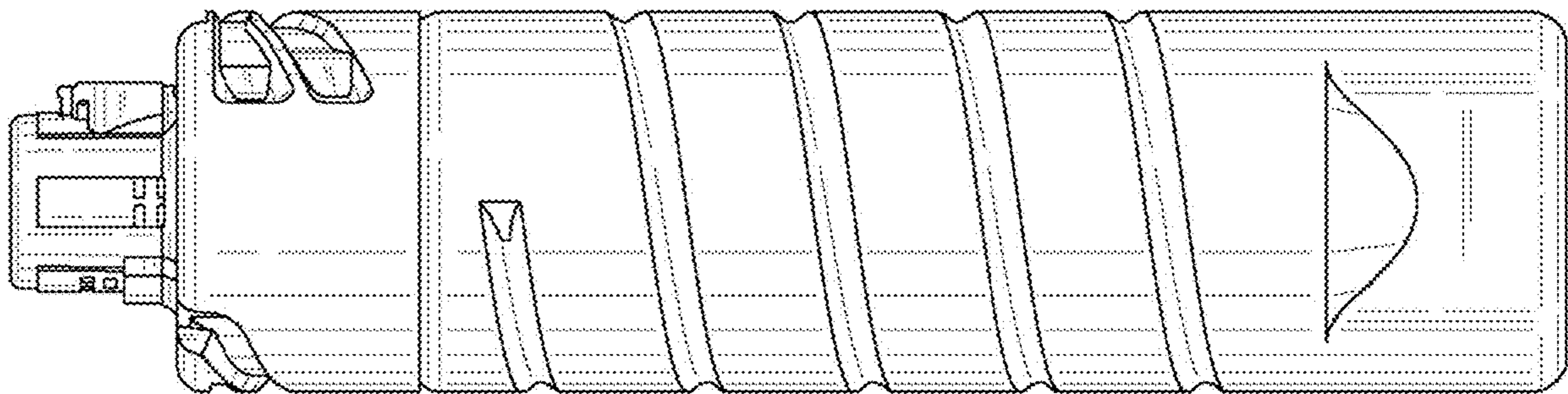
JP	D1230601	2/2005
JP	D1292444	1/2007
JP	D1333595	6/2008
JP	D1364757	7/2009
JP	D1364758	7/2009
JP	D1364759	7/2009
JP	D1364897	7/2009
JP	D1549253	5/2016

OTHER PUBLICATIONS

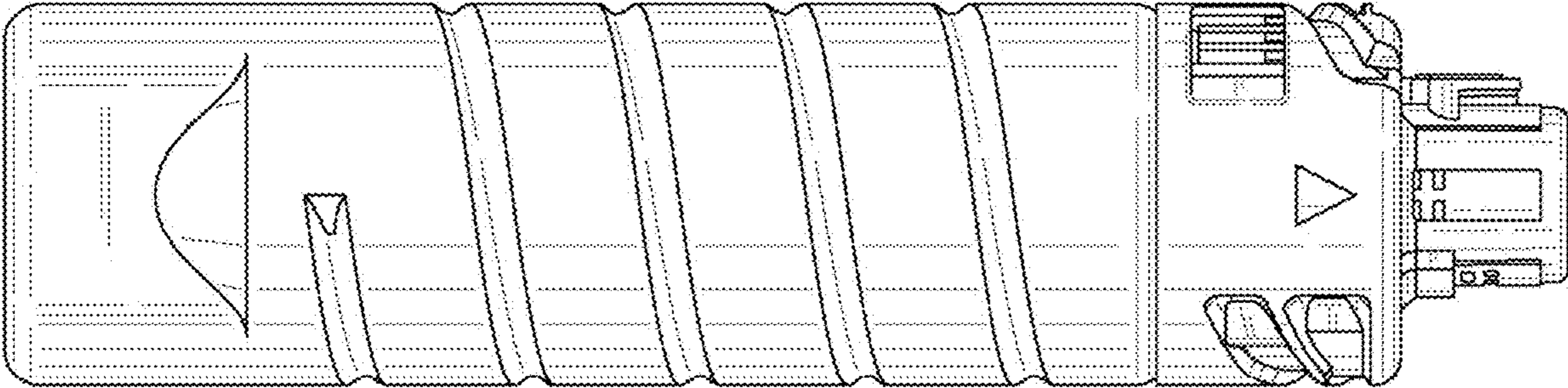
Screenshot of Canon 034 yellow original toner cartridge. © 2007-2019; one page. Found online Nov. 27, 2019 at <https://www.cdw.com/product/Canon-034-yellow-original-toner-cartridge/3590169?> (Year: 2019).*

* cited by examiner

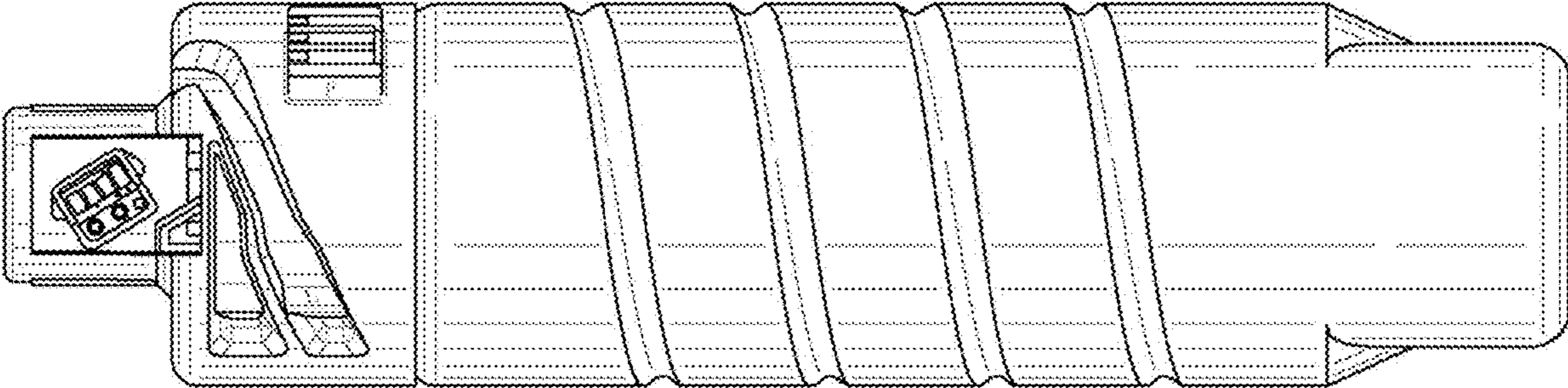
1.1



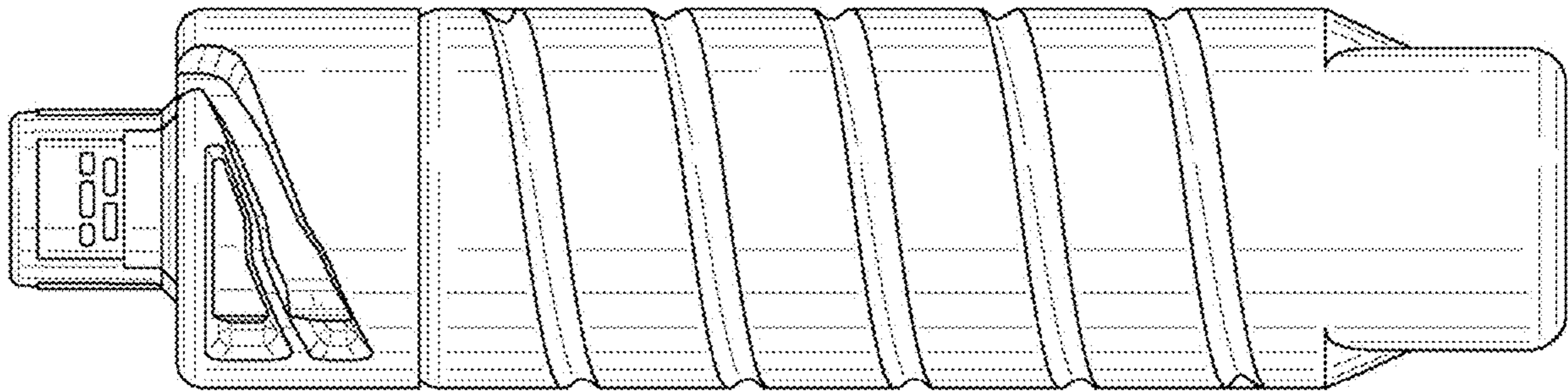
1.2



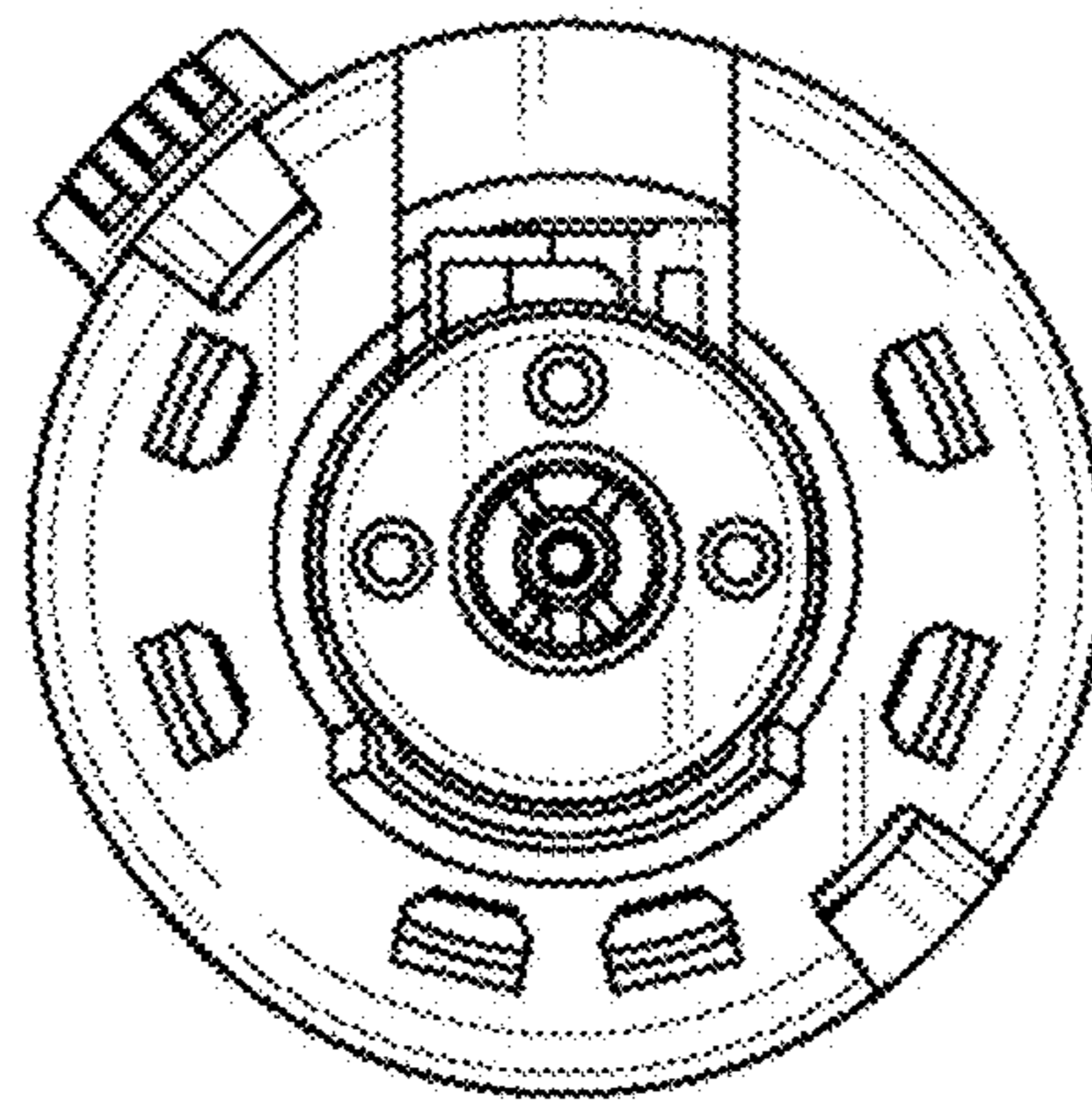
1.3



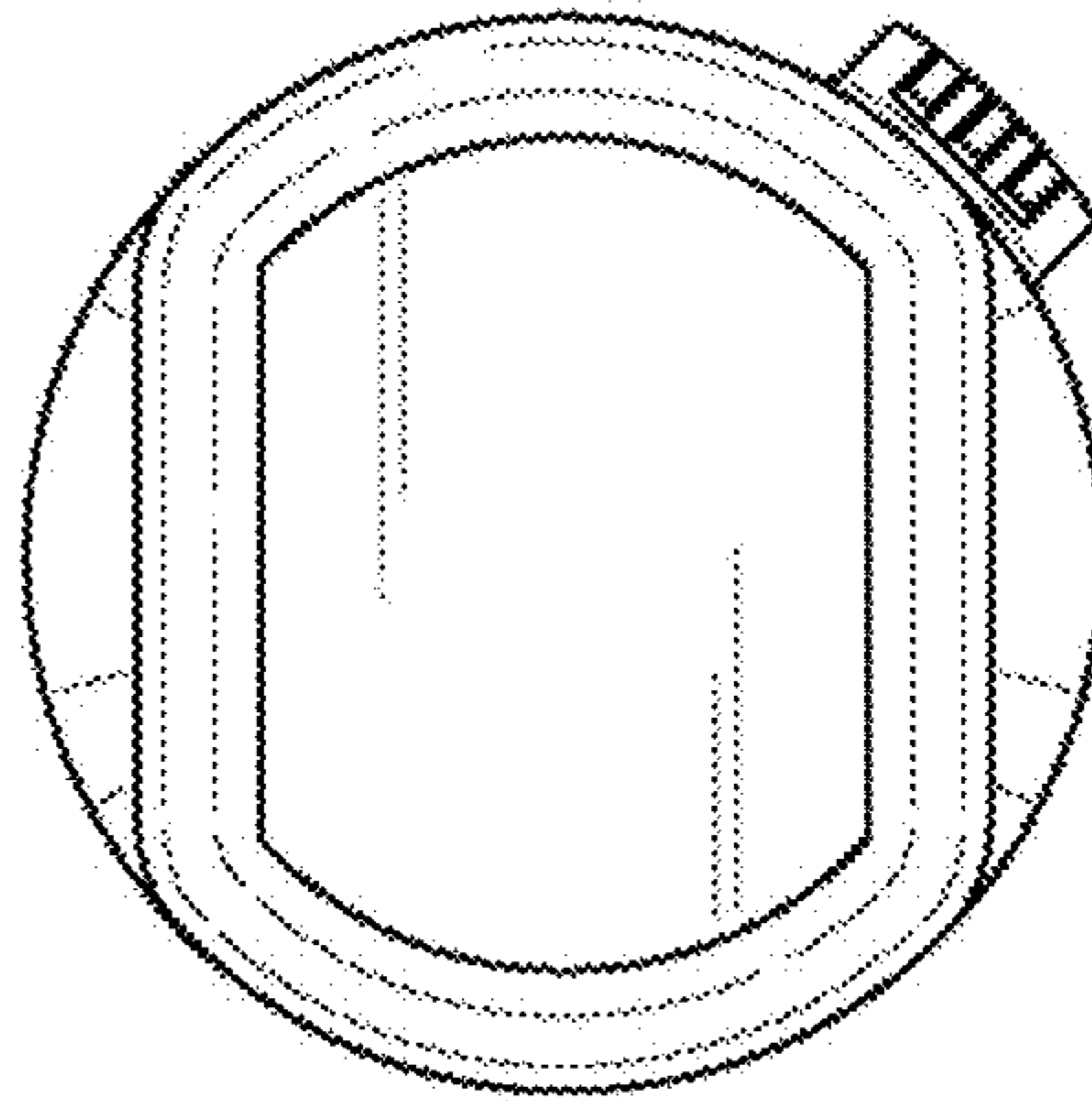
1.4



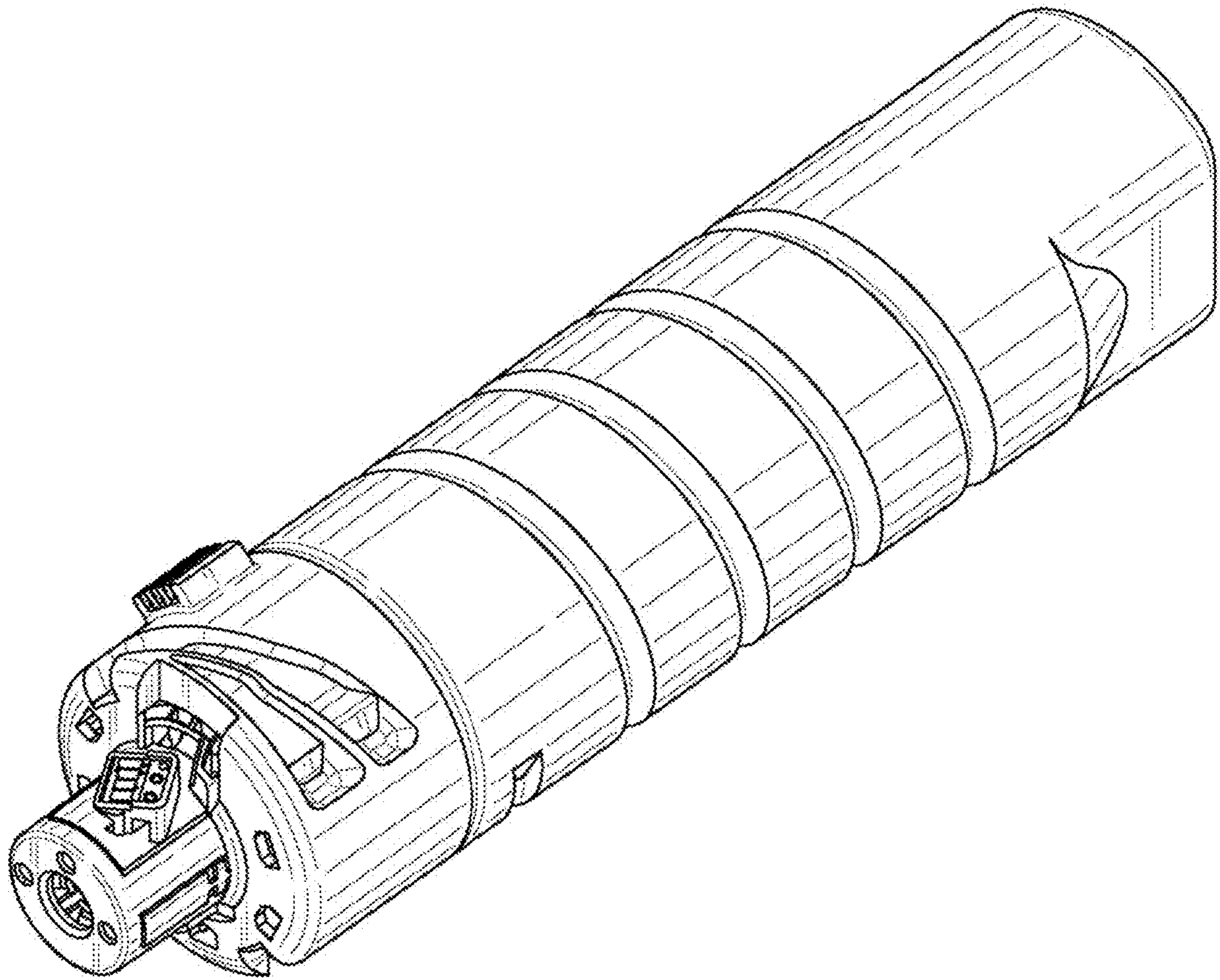
1.5



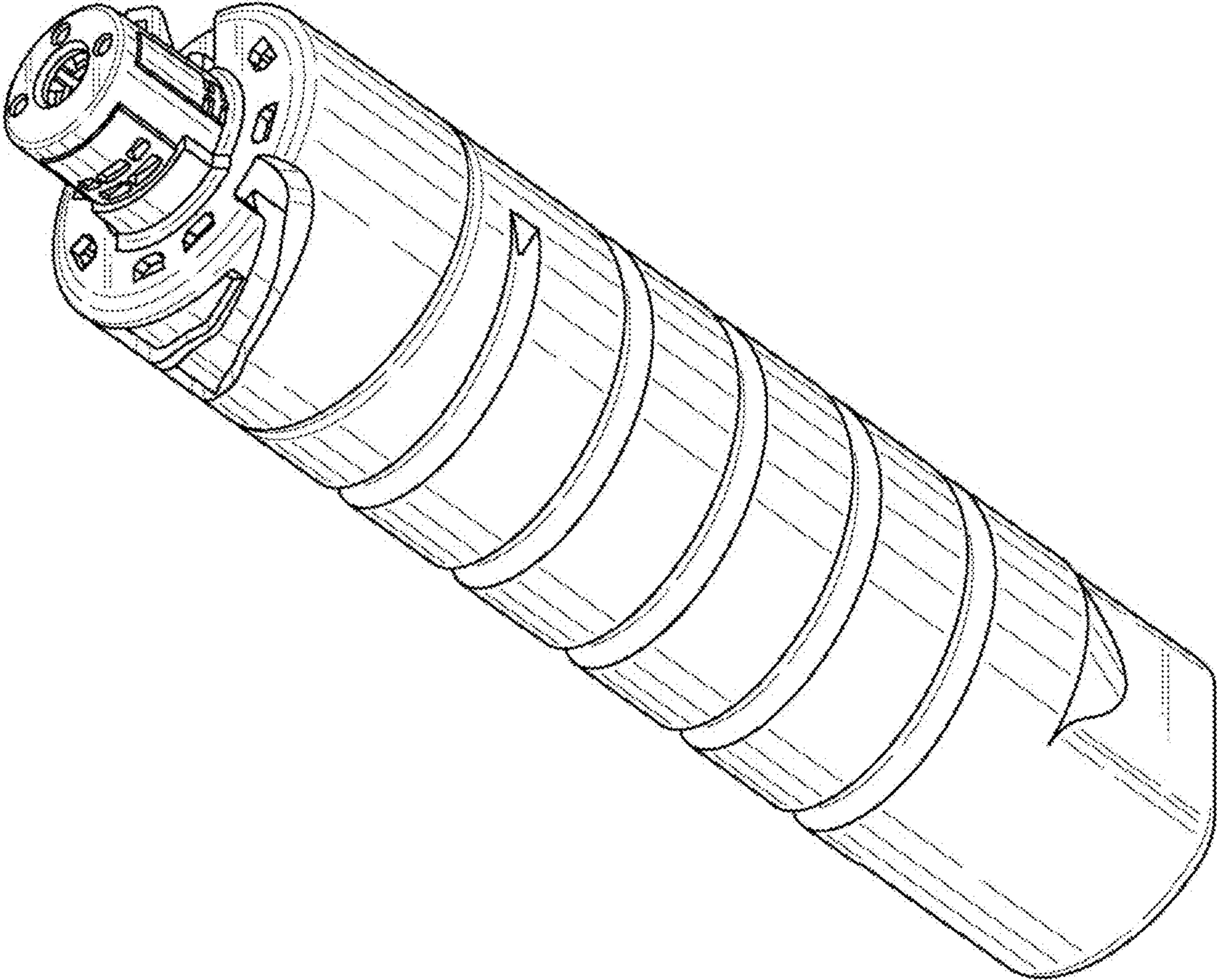
1.6



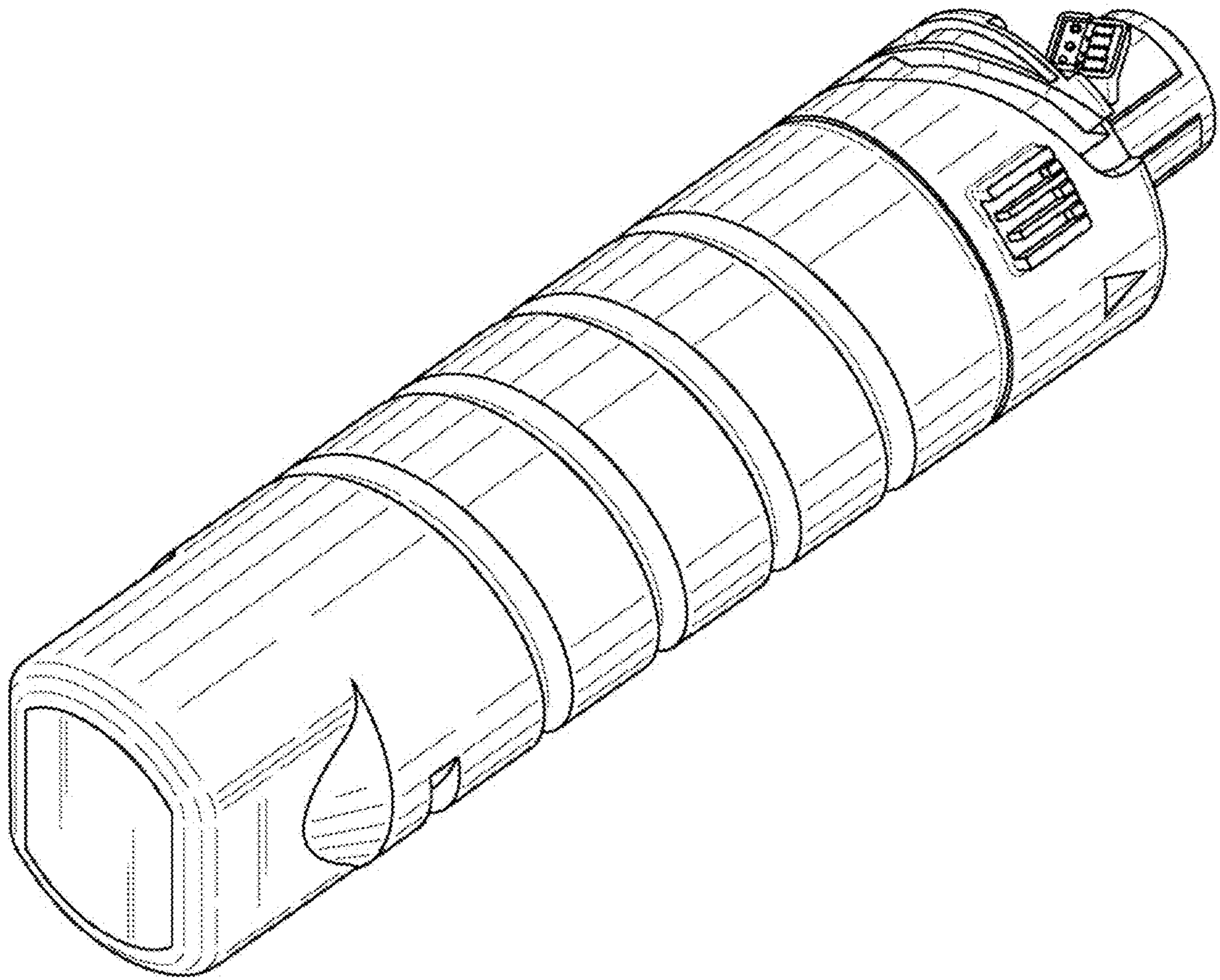
1.7



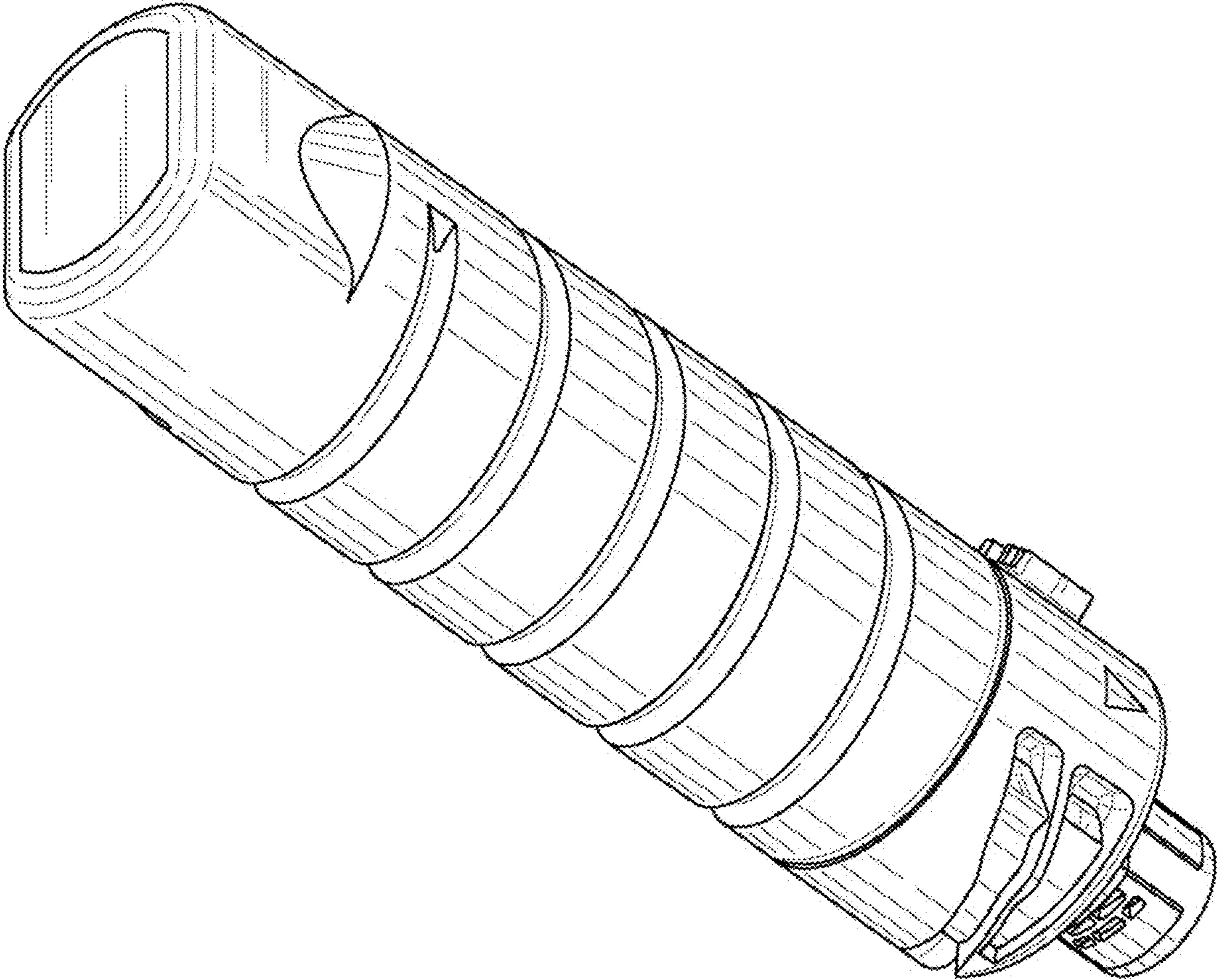
1.8



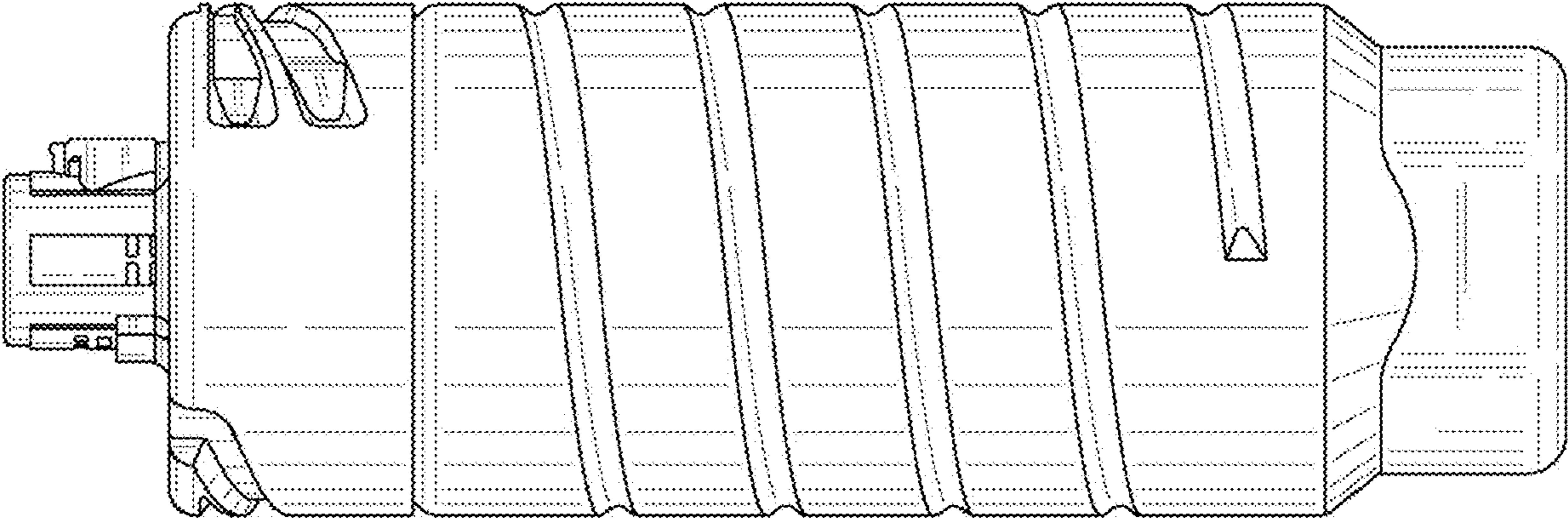
1.9



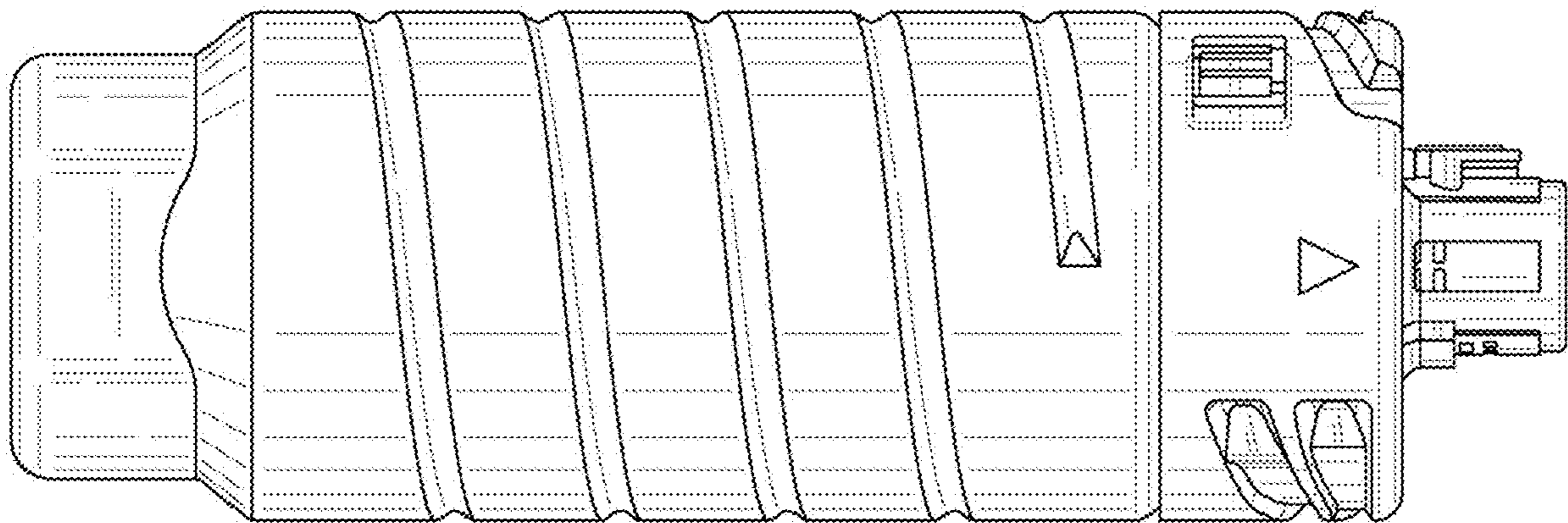
1.10



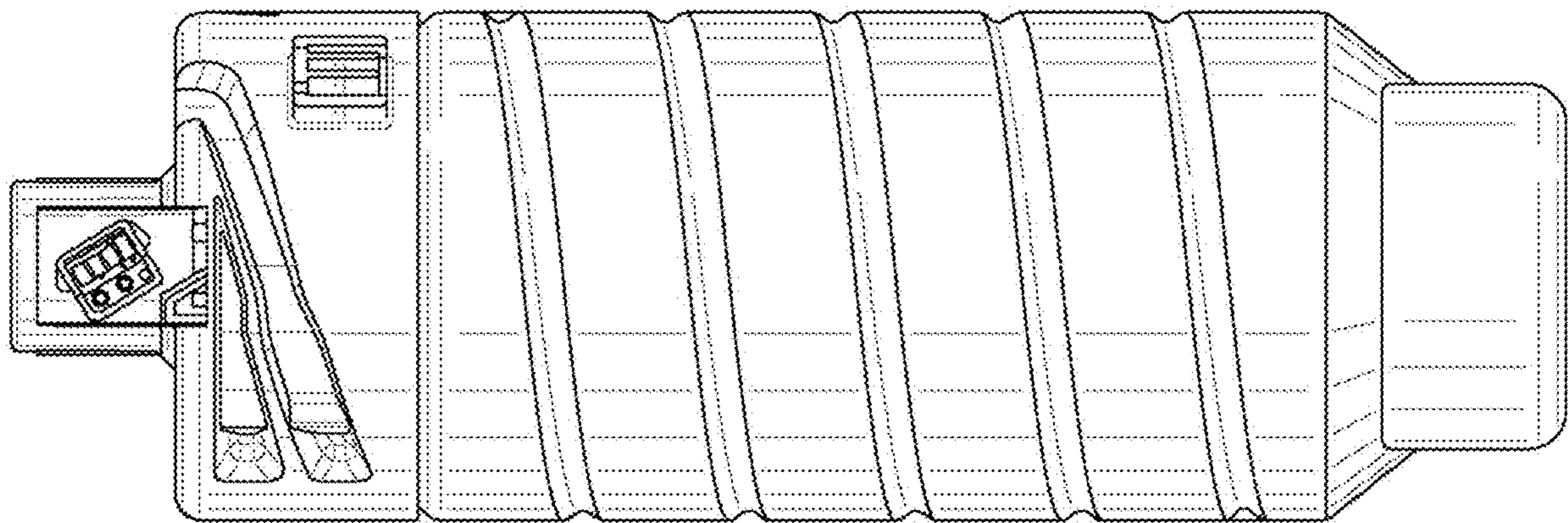
2.1



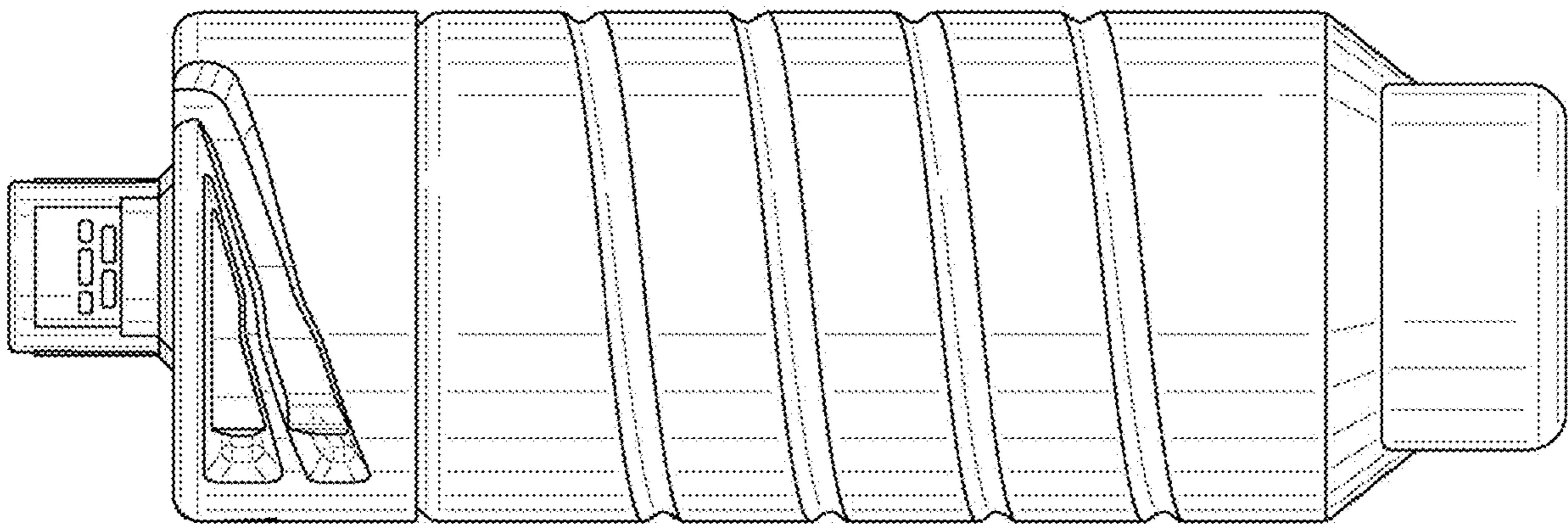
2.2



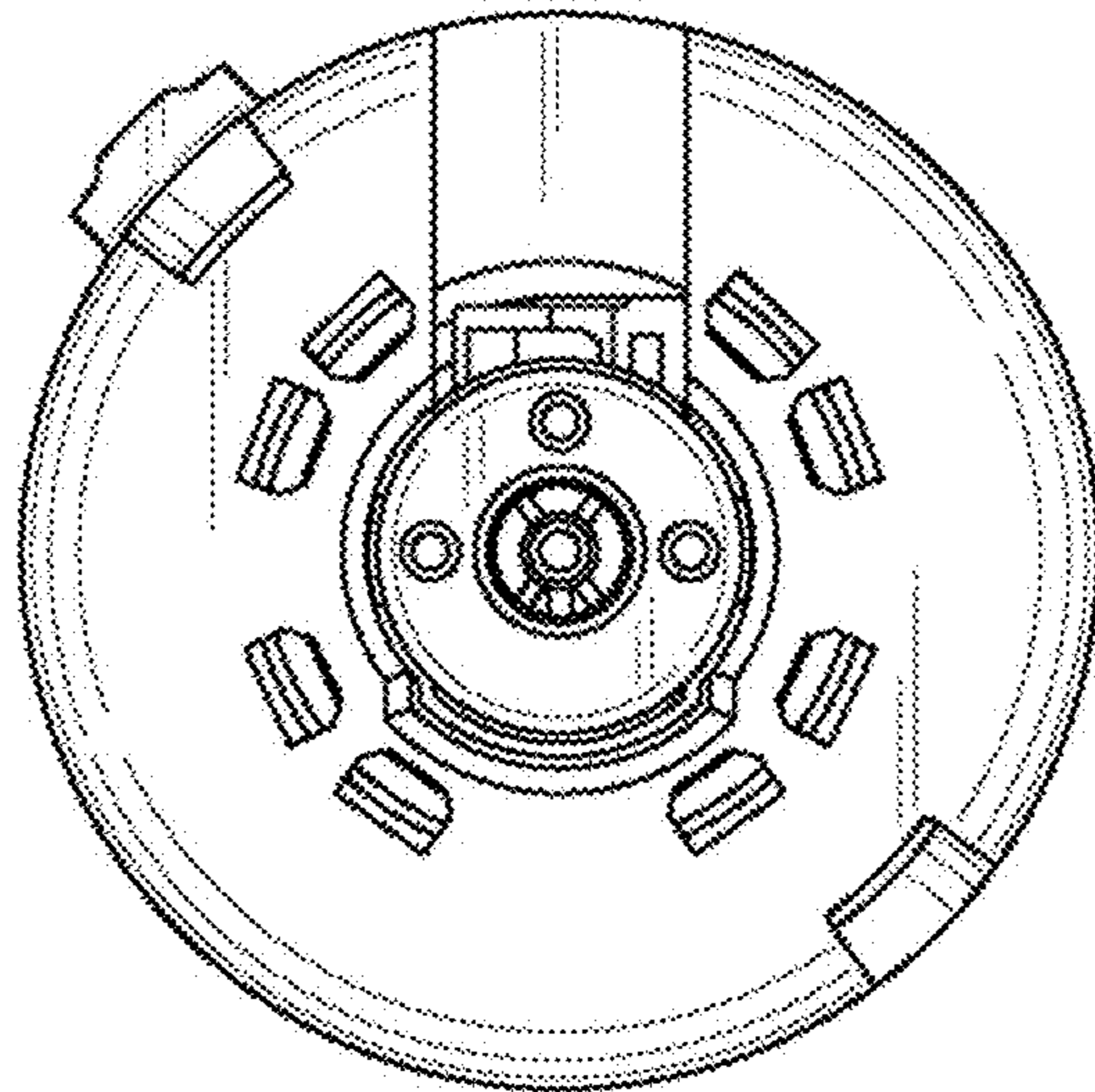
2.3



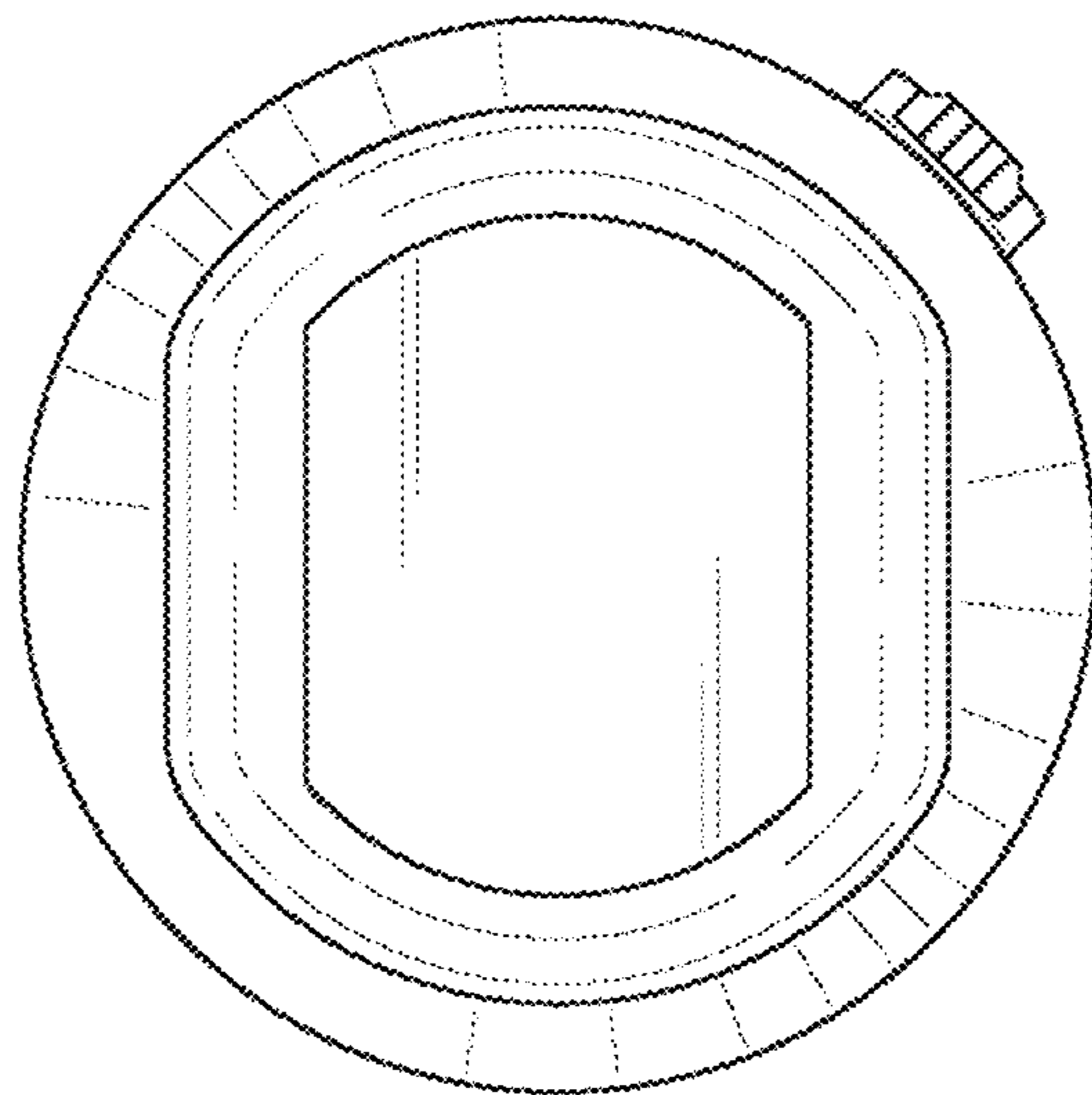
2.4



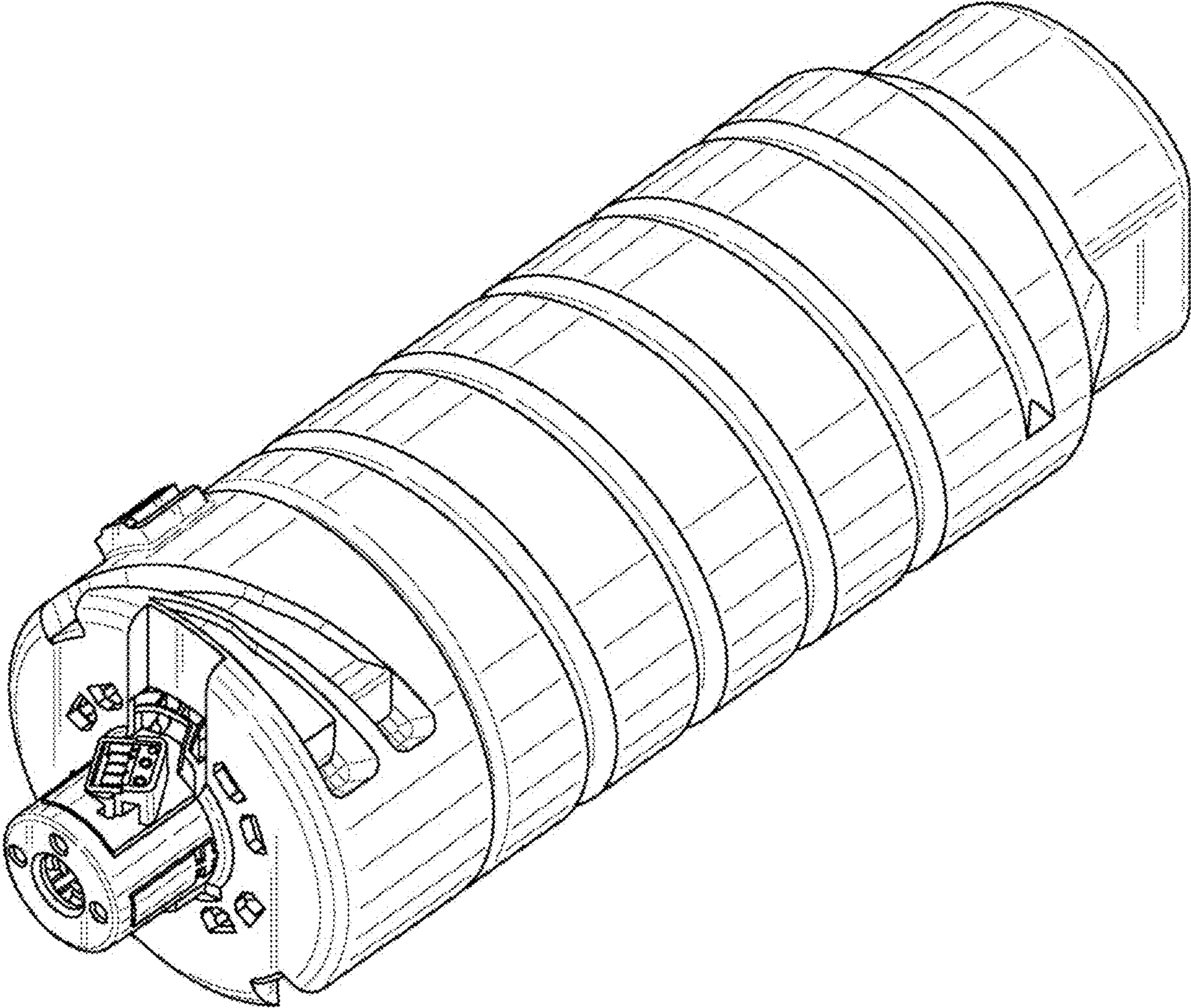
2.5



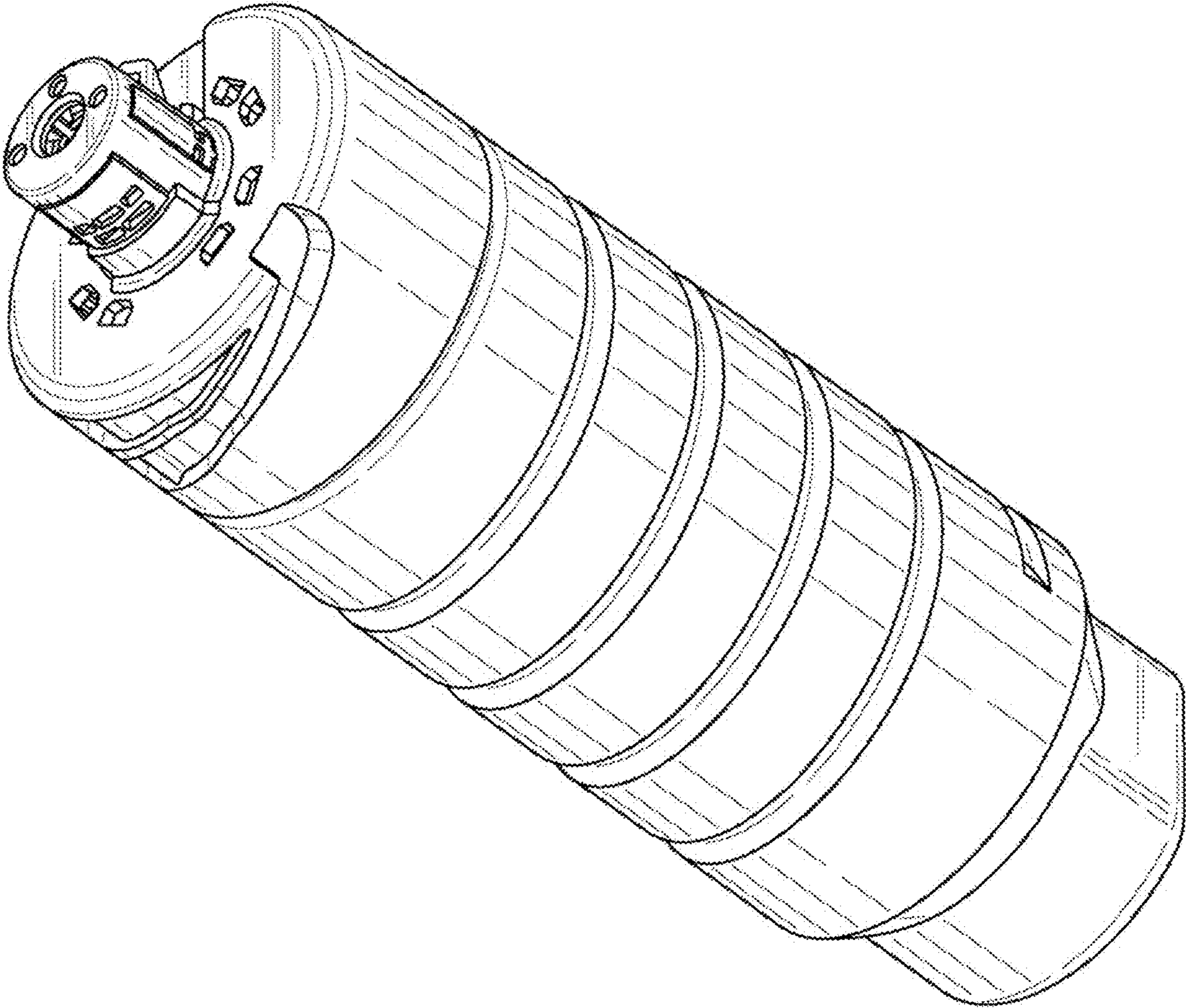
2.6



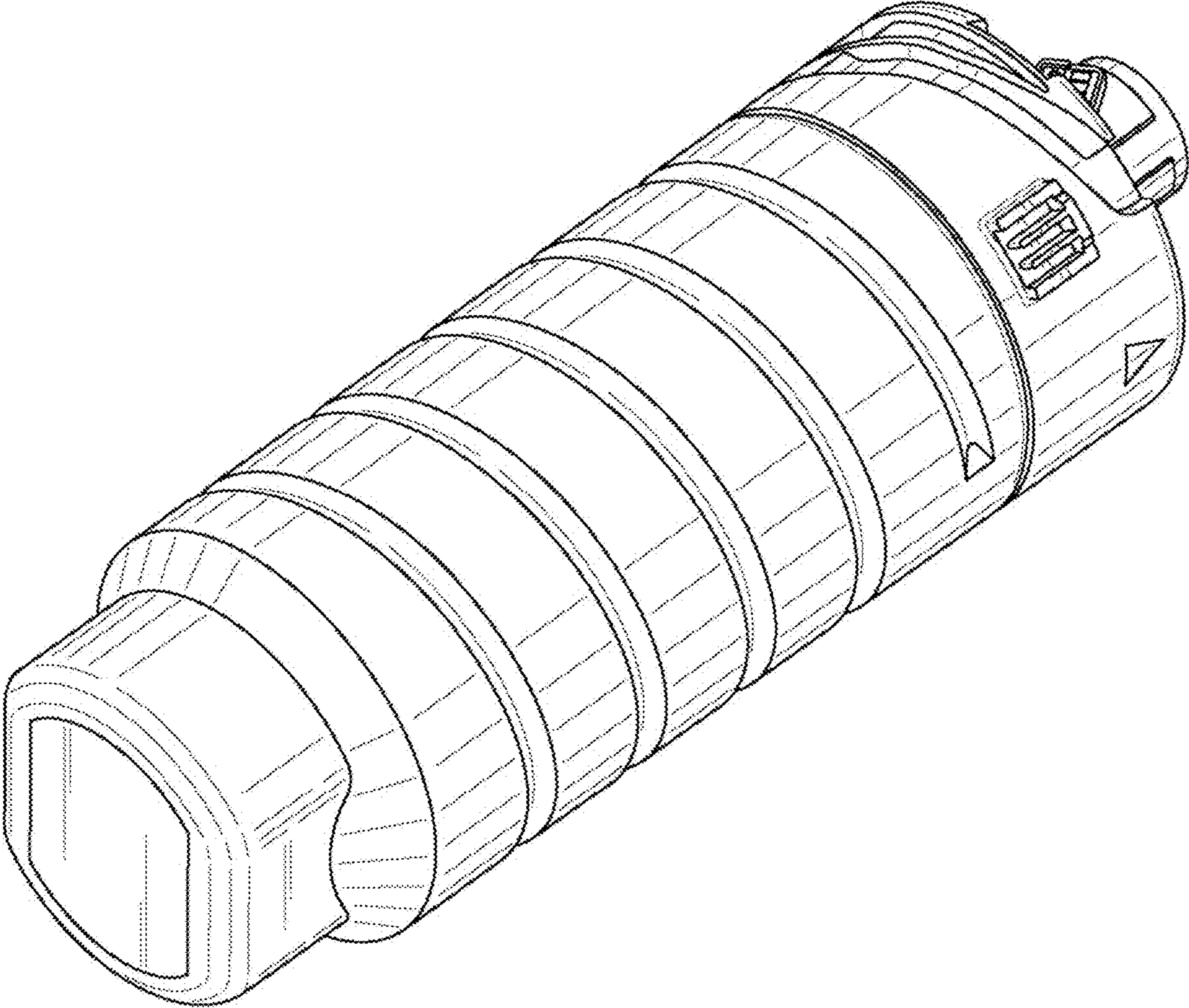
2.7



2.8



2.9



2.10

