



US00D896882S

(12) **United States Design Patent**  
**Kida et al.**

(10) **Patent No.: US D896,882 S**  
(45) **Date of Patent: \*\* Sep. 22, 2020**

(54) **STAMP**

FOREIGN PATENT DOCUMENTS

(71) Applicant: **Shachihata Inc.**, Nagoya-shi, Aichi (JP)

CN D1639883 \* 8/2019  
JP 0976254 S 3/1997

(72) Inventors: **Masaki Kida**, Tokyo (JP); **Motohide Imaizumi**, Tokyo (JP)

(Continued)

(73) Assignee: **Shachihata Inc.**, Nagoya-shi (JP)

OTHER PUBLICATIONS

(\*\*) Term: **15 Years**

Amazon. Link: <https://www.amazon.com/SHACHIHATA-Posted-Inch-Stamp-Inches-XST1211/dp/B000061AQU>. Apr. 19, 2006. SHACHIHATA Inc Posted-Inch Ink Stamp. (Year: 2006).\*

(21) Appl. No.: **29/701,919**

(Continued)

(22) Filed: **Aug. 15, 2019**

*Primary Examiner* — Lauren D McVey

(30) **Foreign Application Priority Data**

(74) *Attorney, Agent, or Firm* — Westerman, Hattori, Daniels & Adrian, LLP

Feb. 20, 2019 (JP) ..... 2019-003415  
Jul. 25, 2019 (JP) ..... 2019-016646

(51) **LOC (12) Cl.** ..... **19-02**

(57) **CLAIM**

(52) **U.S. Cl.**  
USPC ..... **D18/15**

The ornamental design for a stamp, as shown and described.

(58) **Field of Classification Search**  
USPC ..... D18/15, 16, 17, 18, 14, 19, 50;  
D19/65–68, 70, 71  
CPC . B41J 2/1752; B41J 3/36; B41J 29/023; B41J 2/17526; B41J 3/28; B41K 1/00; B41K 1/38; B41K 1/006; B41K 1/02; B41K 1/08; B41K 1/40; B41K 1/42; B41K 1/52; B41K 1/54; B41K 1/56; B41K 1/36; B23K 26/00; B23K 26/10; B41C 3/04; B41D 7/00

**DESCRIPTION**

See application file for complete search history.

FIG. 1 is an upper-right front perspective view of a stamp, showing our new design;  
FIG. 2 is an upper-left rear perspective view thereof;  
FIG. 3 is a front elevation view thereof;  
FIG. 4 is a rear elevation view thereof;  
FIG. 5 is a right side elevation view thereof;  
FIG. 6 is a left side elevation view thereof;  
FIG. 7 is a top plan view thereof;  
FIG. 8 is a bottom plan view thereof;  
FIG. 9 is a cross-sectional view thereof, taken in the direction of line 9-9 in FIG. 3; and,  
FIG. 10 is cross-sectional view thereof, taken in the direction of line 10-10 in FIG. 7.

(56) **References Cited**

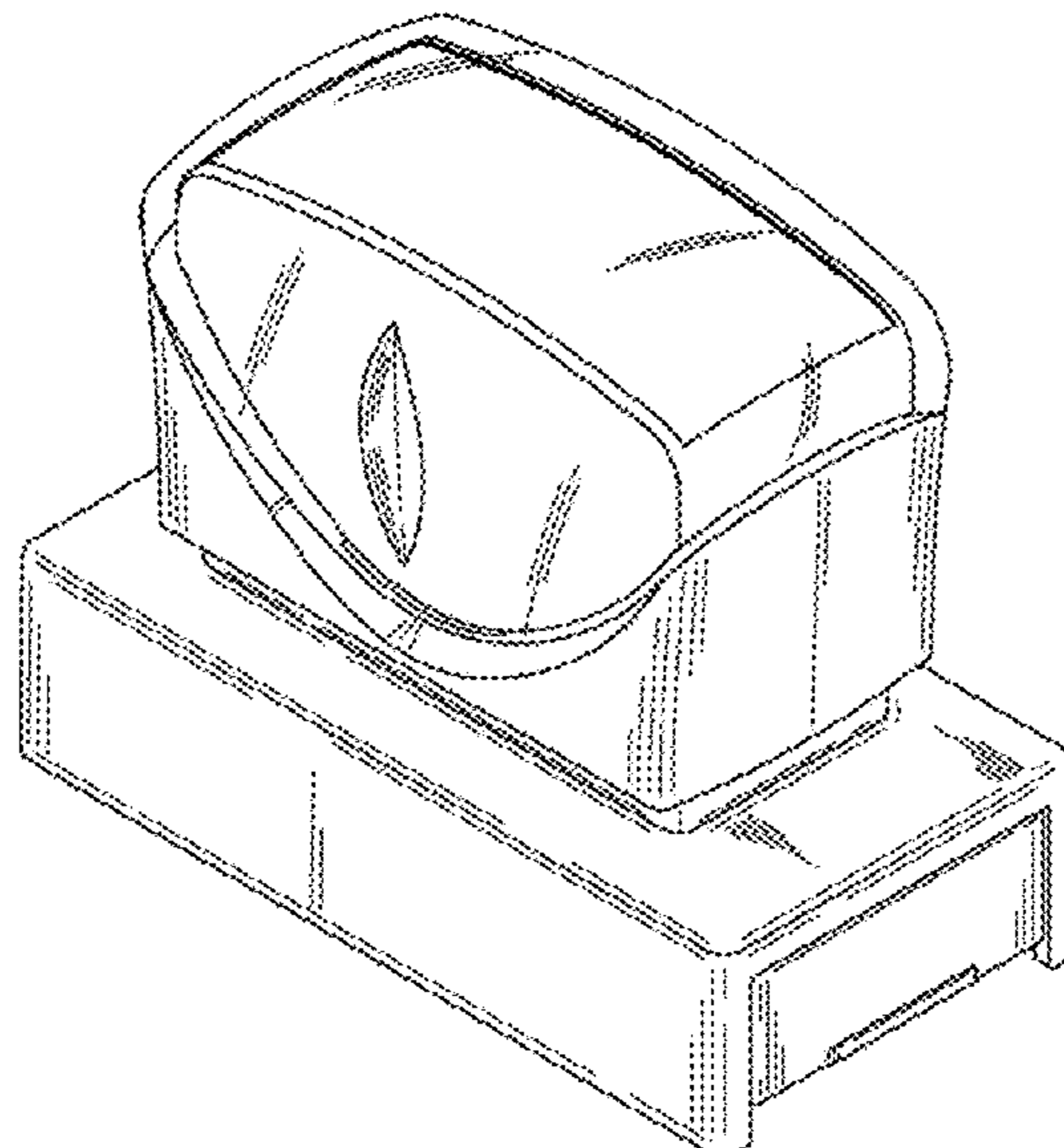
The broken lines in the drawings illustrate portions of the stamp that form no part of the claimed design.

U.S. PATENT DOCUMENTS

D376,383 S \* 12/1996 Harden ..... 101/327  
D417,232 S \* 11/1999 Harden ..... D18/15  
D427,233 S \* 6/2000 Faber ..... D18/15  
D430,891 S \* 9/2000 Faber ..... D18/15

(Continued)

**1 Claim, 5 Drawing Sheets**



(56)

References Cited

U.S. PATENT DOCUMENTS

6,189,450	B1 *	2/2001	Shih .....	B41K 1/52 101/125
D453,784	S *	2/2002	Harden .....	D18/15
D507,294	S *	7/2005	Kida .....	D18/15
D507,807	S *	7/2005	Kida .....	D18/15
D508,257	S *	8/2005	Kida .....	D18/15
D508,521	S *	8/2005	Kida .....	D18/15
D607,489	S *	1/2010	Kida .....	D18/15
D802,654	S *	11/2017	Kida .....	D18/15
D802,655	S *	11/2017	Kida .....	D18/15

FOREIGN PATENT DOCUMENTS

JP	0946405-4	S	6/1998
JP	1221606	S	11/2004
JP	1221869	S	11/2004
JP	1221872	S	11/2004
JP	1221873	S	11/2004
JP	D1362525		5/2009

OTHER PUBLICATIONS

Amazon. Link: [https://www.amazon.com/dp/B0058TXCCG/ref=psdc\\_12900891\\_t5\\_B00007JQPK](https://www.amazon.com/dp/B0058TXCCG/ref=psdc_12900891_t5_B00007JQPK). Jul. 8, 2011. ACCU-STAMP2 Message Stamp with Shutter. (Year: 2011).\*

Amazon. Link: [https://www.amazon.com/dp/B07KCJYBW6/ref=cm\\_sw\\_r\\_tw\\_dp\\_U\\_x\\_Yt0hEbN9G2765](https://www.amazon.com/dp/B07KCJYBW6/ref=cm_sw_r_tw_dp_U_x_Yt0hEbN9G2765). Nov. 9, 2018. MasterMark Premium Pre-Inked Office Stamp MasterMark. (Year: 2018).\*

World Photo Press Co., Ltd, "MONO Magazine," No. 30, vol. 5, p. 124, received by the JPO on Mar. 4, 2011, Japan Patent Office's reference No. HA23000756. (1 page).

Shachihata Inc., "2001 The Catalog, Shachihata General Catalog," p. 37, received by the JPO on Mar. 30, 2001, Japan Patent Office's reference No. HN13001062. ( 2 pages).

W.W. Grainger, Inc., "Stamp, Microban, Completed Legend, Red," <http://www.grainger.com/Grainger/items/4XRH3?Pid=search>, retrieved on May 24, 2010, Japan Patent Office's reference No. HJ22010052. (1 page).

\* cited by examiner

FIG.1

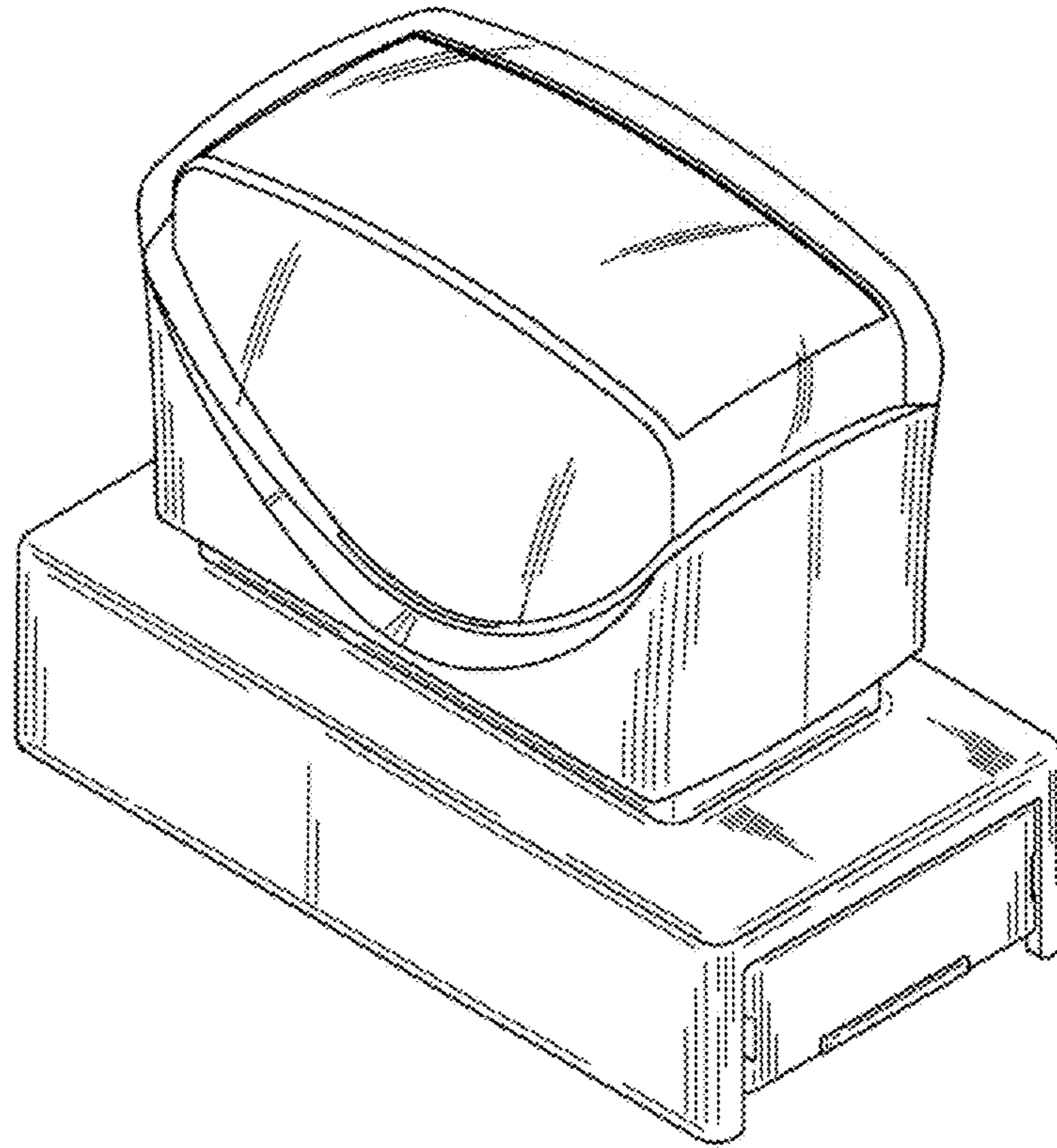


FIG.2

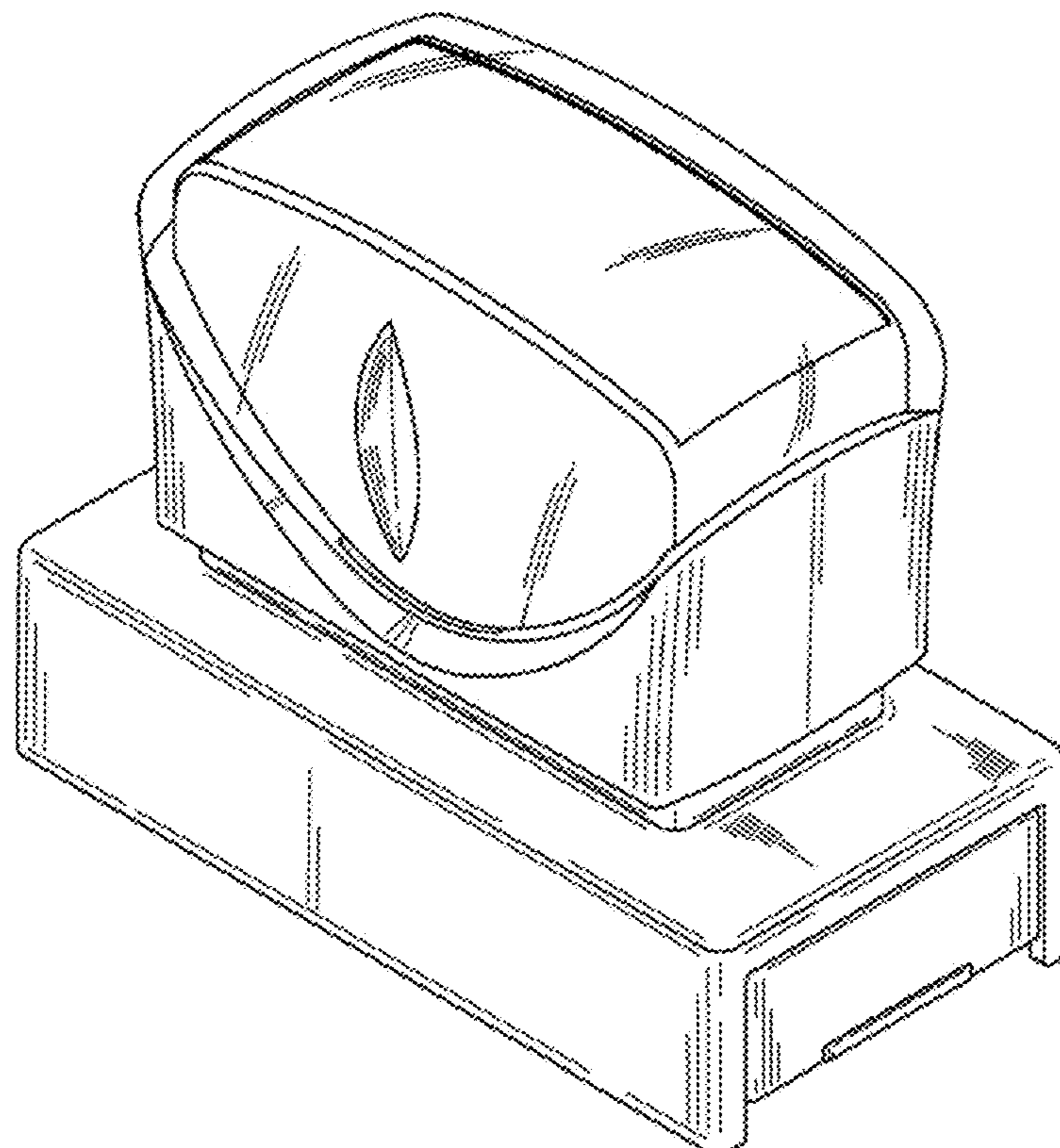




FIG.3

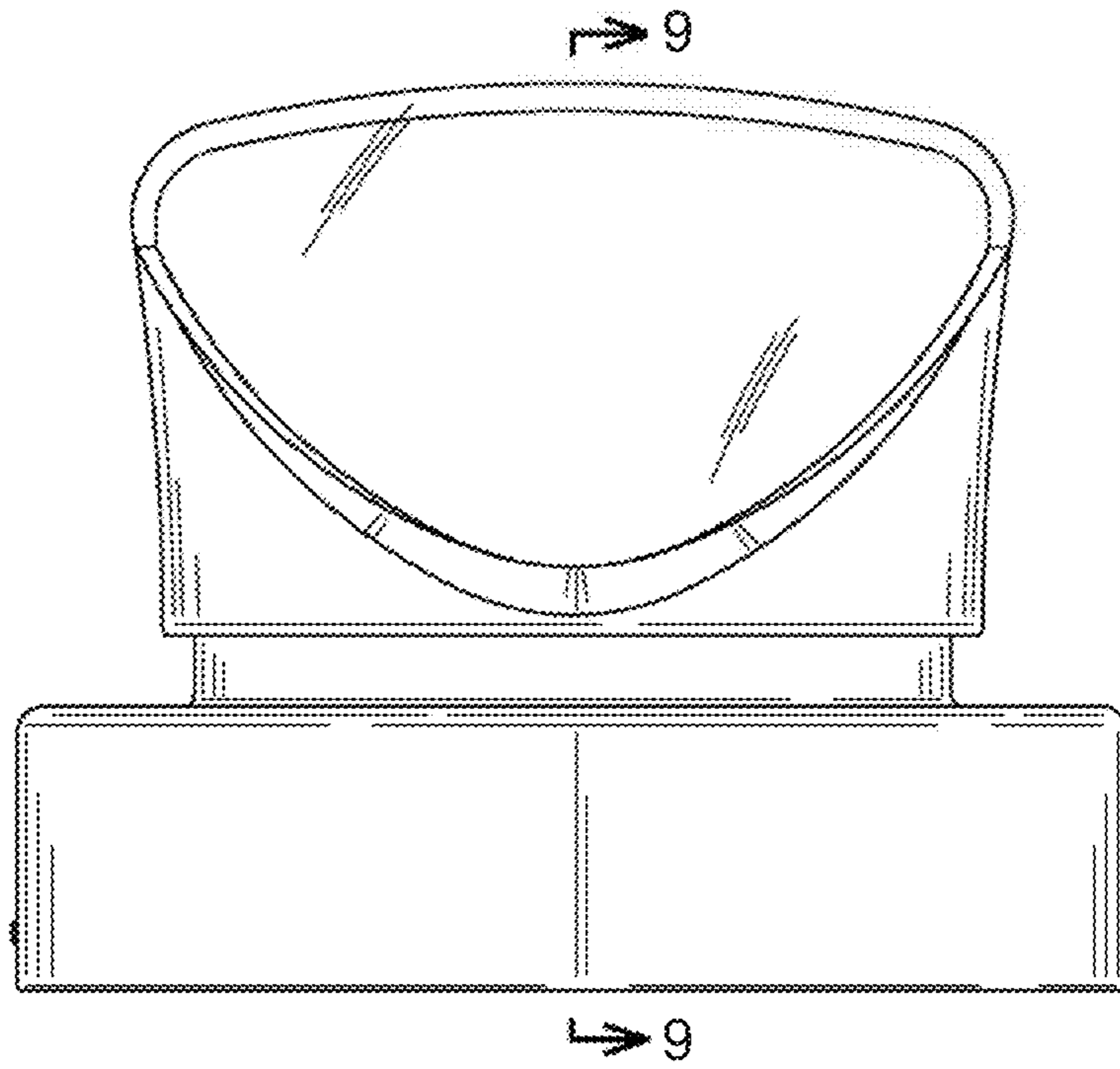


FIG.4

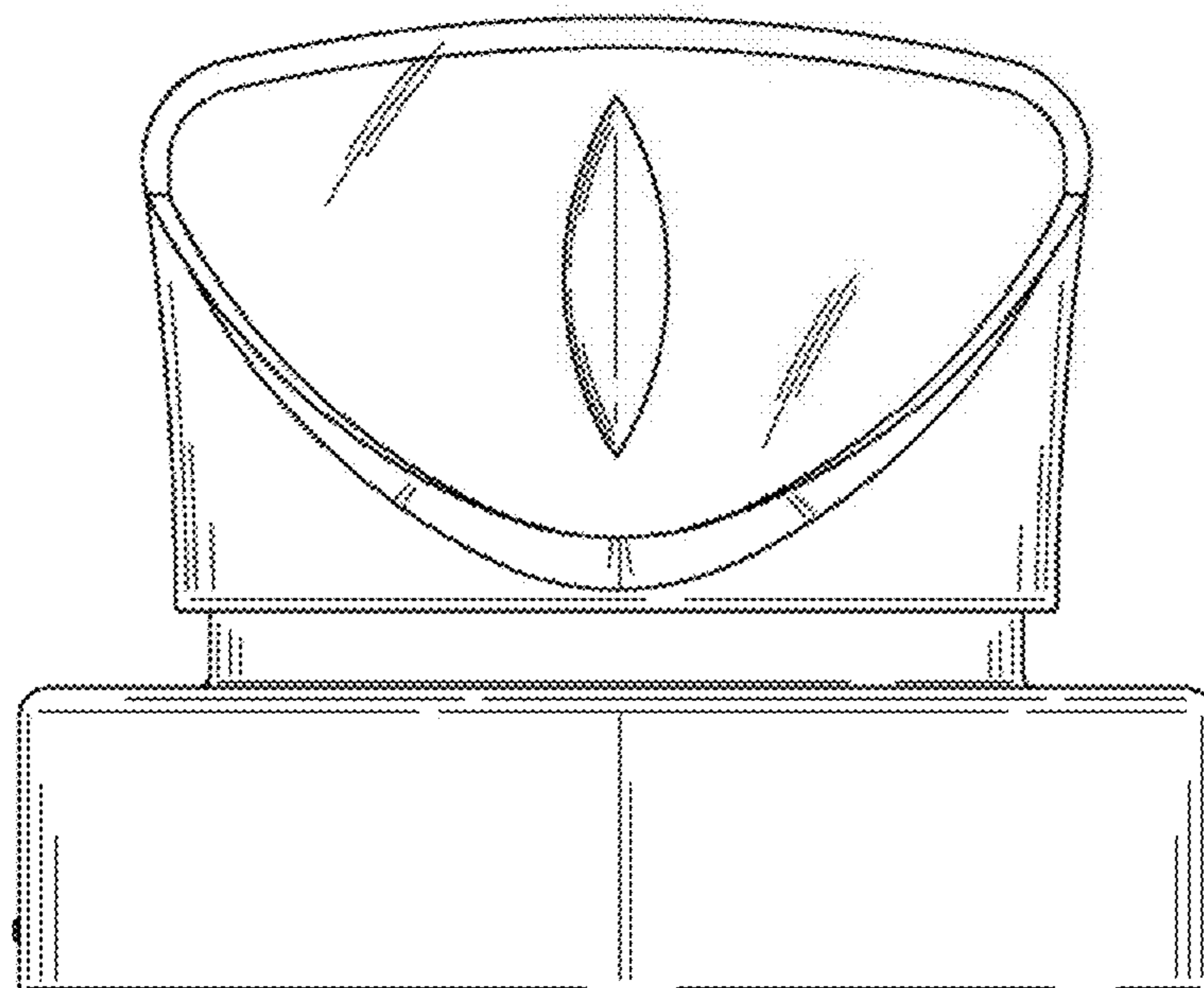


FIG.5

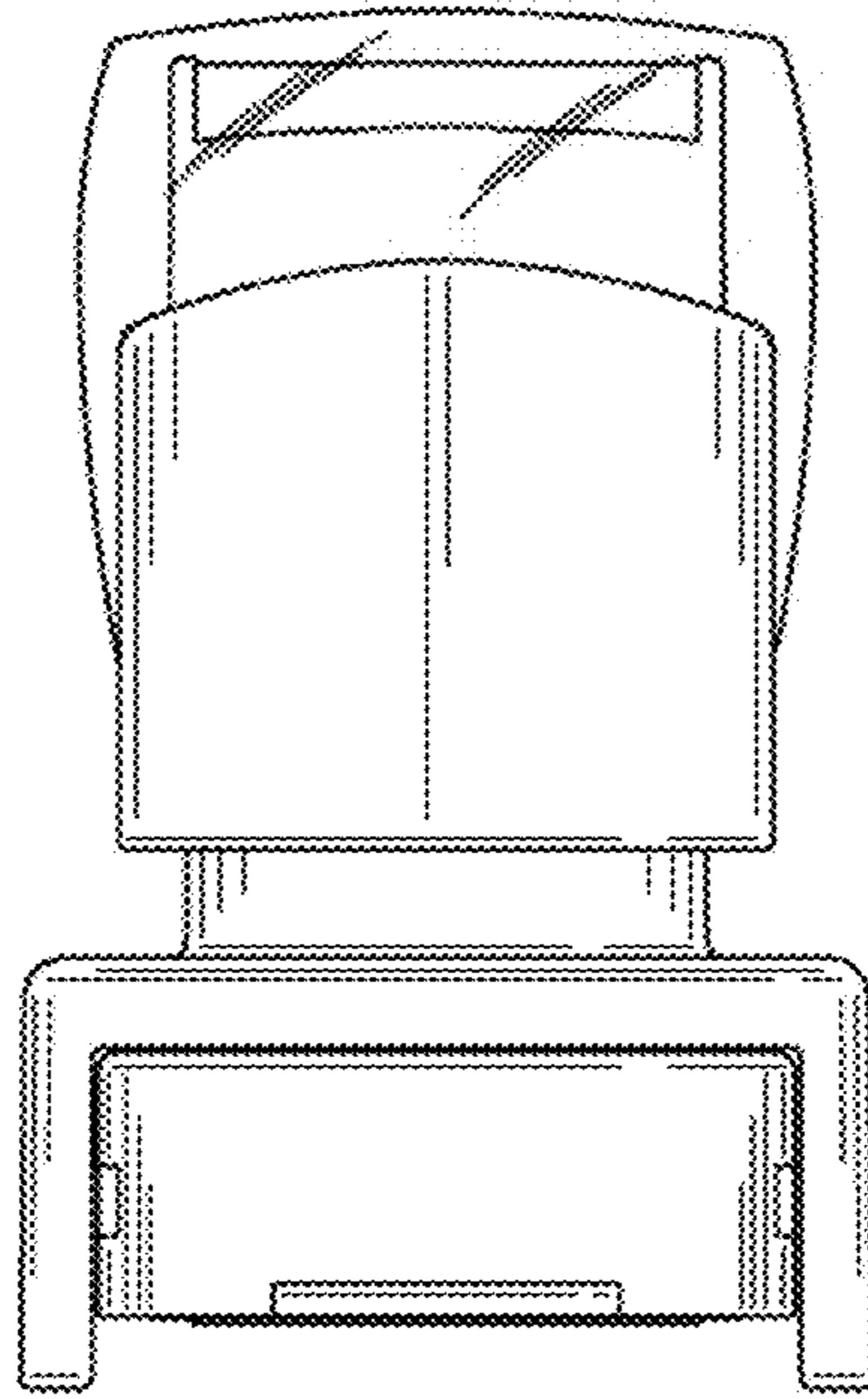


FIG.6

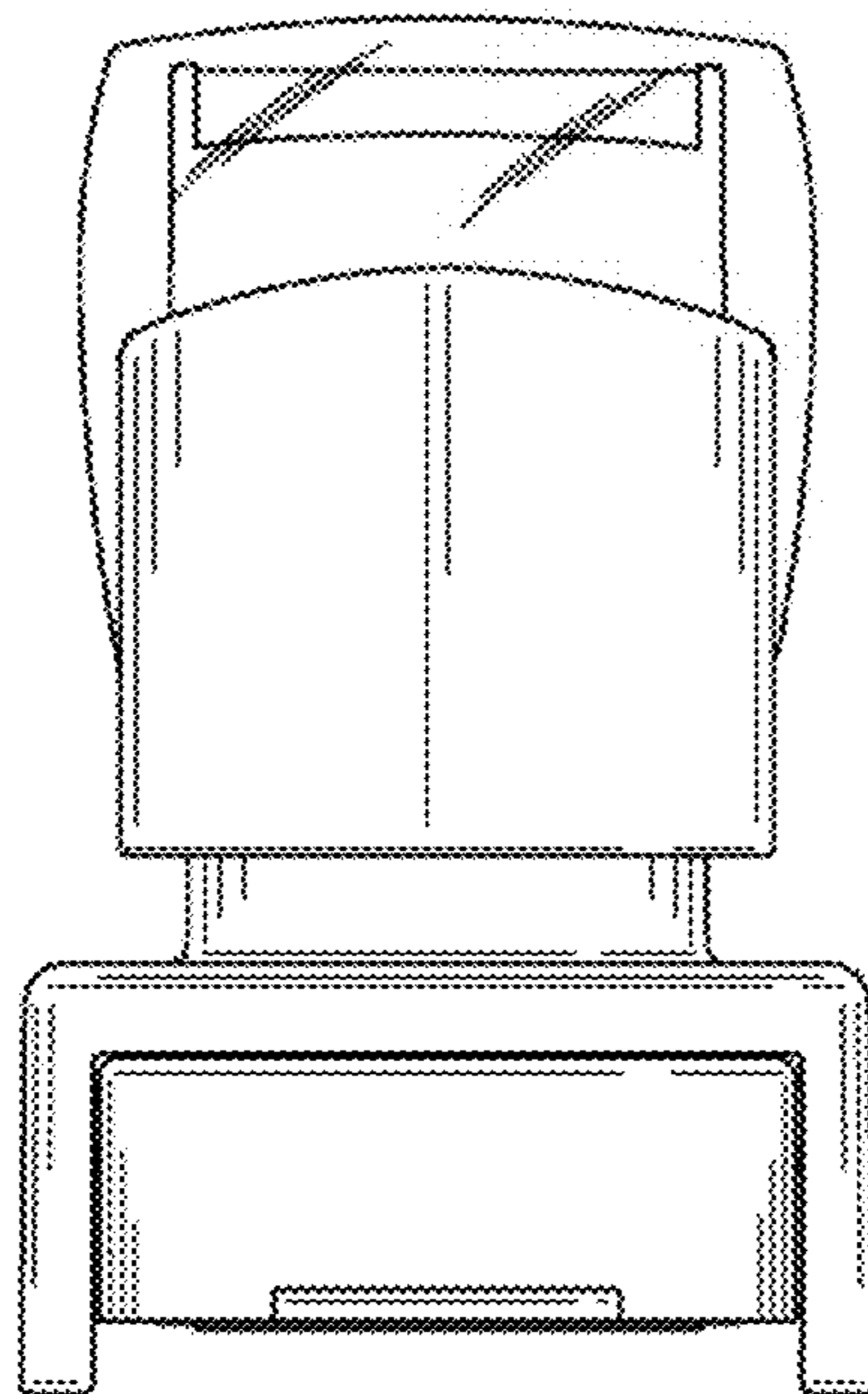


FIG.7

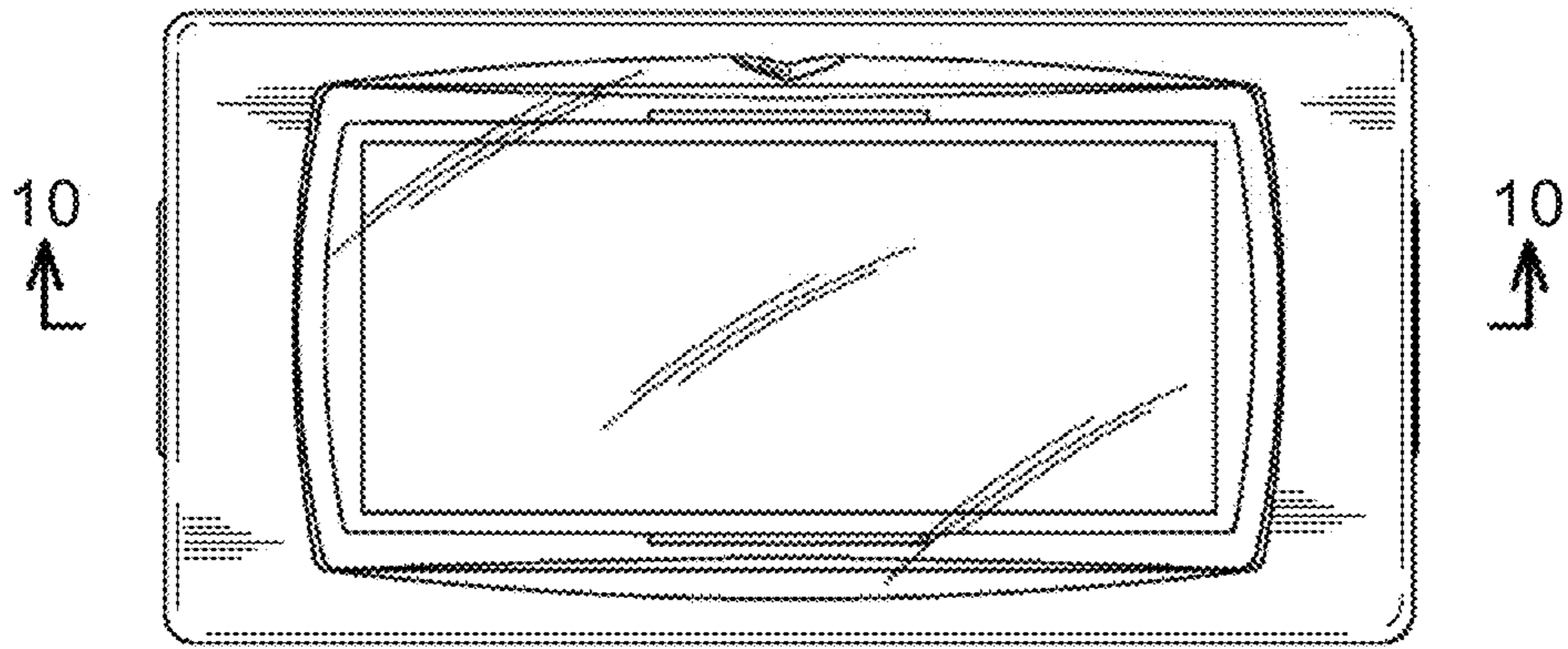


FIG.8



FIG.9

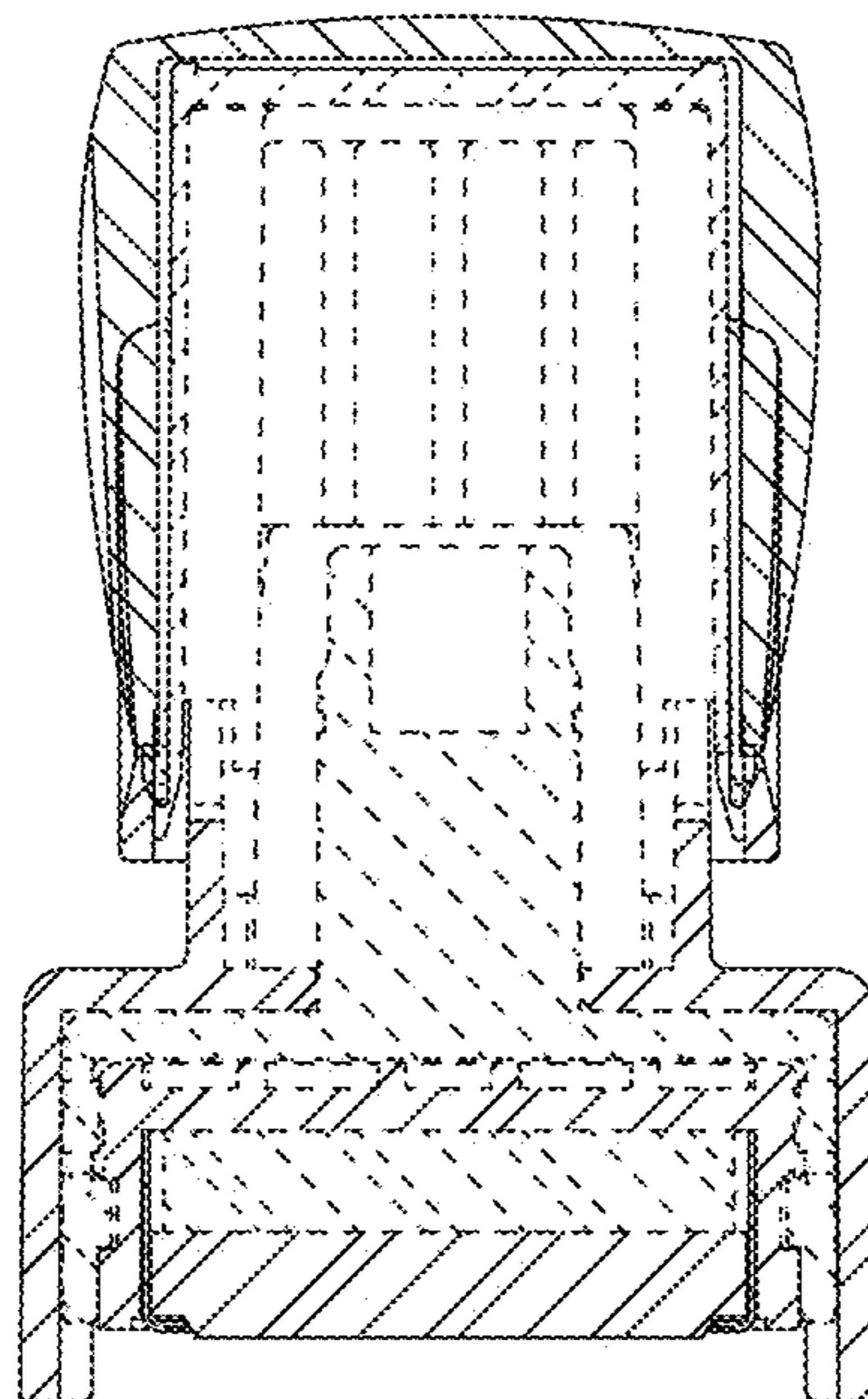


FIG.10

