



US00D896879S

(12) **United States Design Patent**
Elias

(10) **Patent No.:** **US D896,879 S**

(45) **Date of Patent:** **** *Sep. 22, 2020**

(54) **TRIPOD MOUNT**

(71) Applicant: **James Harrison Elias**, Kolbermoor
(DE)

(72) Inventor: **James Harrison Elias**, Kolbermoor
(DE)

(*) Notice: This patent is subject to a terminal disclaimer.

(**) Term: **15 Years**

(21) Appl. No.: **29/671,950**

(22) Filed: **Nov. 30, 2018**

(51) **LOC (12) Cl.** **16-05**

(52) **U.S. Cl.**
USPC **D16/242**

(58) **Field of Classification Search**
USPC D16/219, 237–250; D8/354, 355, 363,
D8/373, 382–383, 394–396; D14/224,
D14/229, 238, 251, 447, 451, 457
CPC H04N 5/2253–2254; G03B 17/561–568;
G03B 17/56; G02B 7/00–002; F16M
11/14; F16M 11/06–10; A45F
2200/0508–0533; A45F 5/00; A45F 5/10
See application file for complete search history.

(56) **References Cited**

U.S. PATENT DOCUMENTS

148,600	A	3/1874	Donn	
2,357,165	A	2/1944	Brady	
3,463,437	A	8/1969	Henderson	
D221,634	S	8/1971	Bradspies et al.	
D239,395	S *	3/1976	David	D30/118
4,516,767	A *	5/1985	Eskijian	A63B 5/11 482/27
4,570,886	A	2/1986	Mooney	
5,458,306	A	10/1995	O’Farrill et al.	
D480,376	S *	10/2003	Ma	D13/108
6,755,380	B2 *	6/2004	Pace	A45D 34/00 248/146
7,140,622	B1	11/2006	Cantu	

7,581,703	B1	9/2009	Coleman et al.	
8,747,418	B2	6/2014	Qureshi et al.	
D827,622	S *	9/2018	Baiz	D14/238
10,223,885	B2 *	3/2019	Larsson	G03B 17/02
10,330,467	B2 *	6/2019	Rueb	F16M 11/126

(Continued)

FOREIGN PATENT DOCUMENTS

CN	205824551	12/2016
DE	20005216	9/2000

(Continued)

OTHER PUBLICATIONS

OctoPad XL—Bundle with Manfrotto Universal Clamp. [online] Published Feb. 28, 2019. Retrieved Oct. 30, 2019 from URL: https://www.amazon.com/Octopus-Camera-OctoPad-XL-Manfrotto-Universal/dp/B07P62RCG5/ref=sr_1_47?keywords=octopad&qid=1572463898&sr=8-47.*

(Continued)

Primary Examiner — Vy N Koenig
(74) *Attorney, Agent, or Firm* — Michael J. Nickerson;
Basch & Nickerson LLP

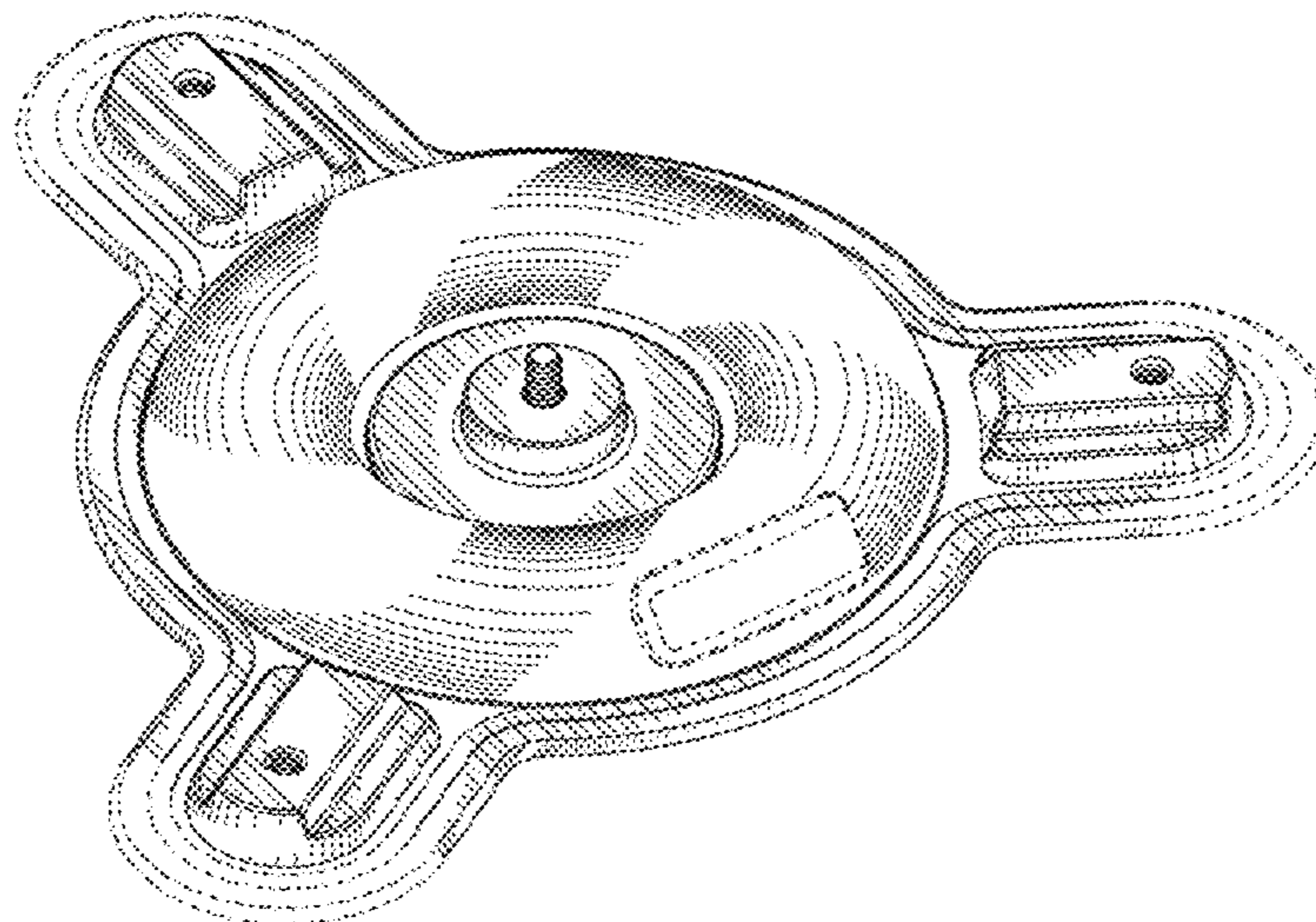
(57) **CLAIM**

The ornamental design for a tripod mount, as shown and described.

DESCRIPTION

FIG. 1 is a top, front and right perspective view of a tripod mount showing the new design in a typical use configuration;
FIG. 2 is a front view of the tripod mount;
FIG. 3 is a rear view of the tripod mount;
FIG. 4 is a left side view of the tripod mount;
FIG. 5 is right side view of the tripod mount; and,
FIG. 6 is a top view of the tripod mount.
The broken-lines in the drawings depict portions of the tripod mount that form no part of the claimed design.

1 Claim, 3 Drawing Sheets



(56)

References Cited

U.S. PATENT DOCUMENTS

D855,621	S	*	8/2019	Elias	D14/447
D855,624	S	*	8/2019	Elias	D14/447
D855,625	S	*	8/2019	Elias	D14/447
D855,626	S	*	8/2019	Elias	D14/447
D855,627	S	*	8/2019	Elias	D14/447
D855,628	S	*	8/2019	Elias	D14/447
D856,342	S	*	8/2019	Elias	D14/447
D857,024	S	*	8/2019	Elias	D14/447
D857,699	S	*	8/2019	Elias	D14/447
D861,699	S	*	10/2019	Elias	D14/447
D861,700	S	*	10/2019	Elias	D14/447
2007/0290104	A1		12/2007	Denison et al.		
2018/0080601	A1		3/2018	Bosnakovic		

FOREIGN PATENT DOCUMENTS

DE	202011108150		2/2012
EP	1026531	B1	3/2006
GB	622680		5/1949

GB	1136159		12/1968
GB	2359144		8/2001
JP	2000193191	A	7/2000
KR	20140003550		6/2014
WO	WO2017099606		6/2017
WO	WO2017178942		10/2017

OTHER PUBLICATIONS

Benro Webpage; www.benrousa.com Apr. 25, 2018.
 Induro Webpage; www.indurogear.com Apr. 25, 2018.
 Manfrotto Webpage; www.manfrotto.us Apr. 25, 2018.
 Matthews Webpage; products.msegrip.com Apr. 25, 2018.
 OctoPad Webpage; www.adorama.com Apr. 25, 2018.
 Vinten Webpage; www.vinten.com Apr. 25, 2018.
 International Search Report (PCT/US2018/035268) dated Oct. 31, 2018 Oct. 31, 2018.
 International Search Report (PCT/US2018/016542) dated Jun. 5, 2018 Jun. 5, 2018.

* cited by examiner

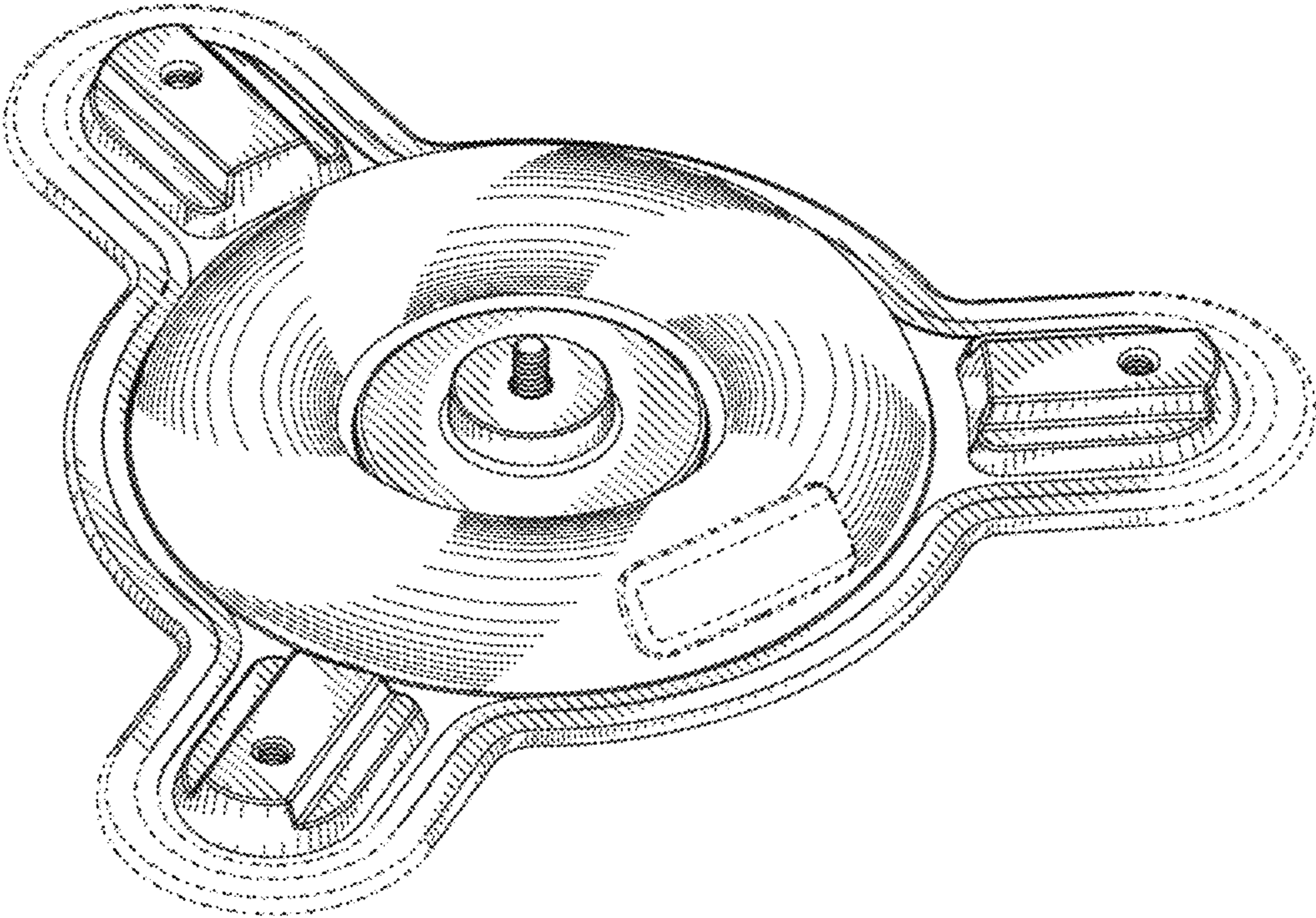


FIG. 1

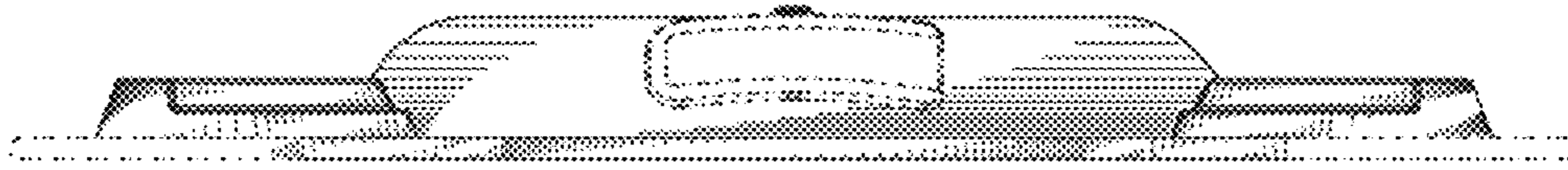


FIG. 2

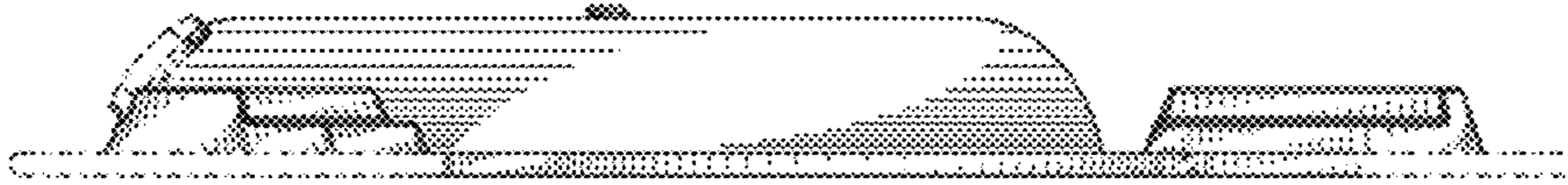


FIG. 3



FIG. 4

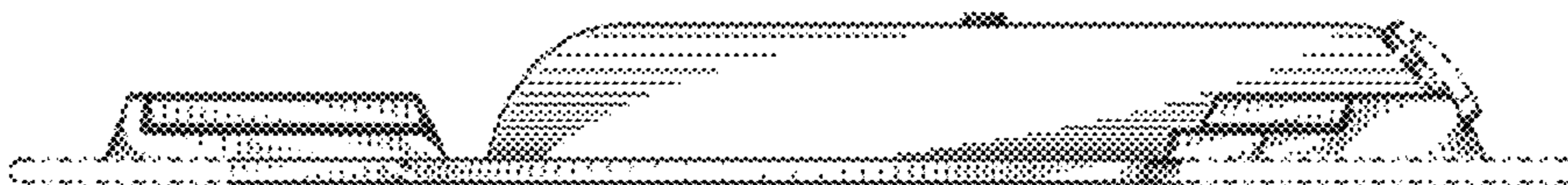


FIG. 5

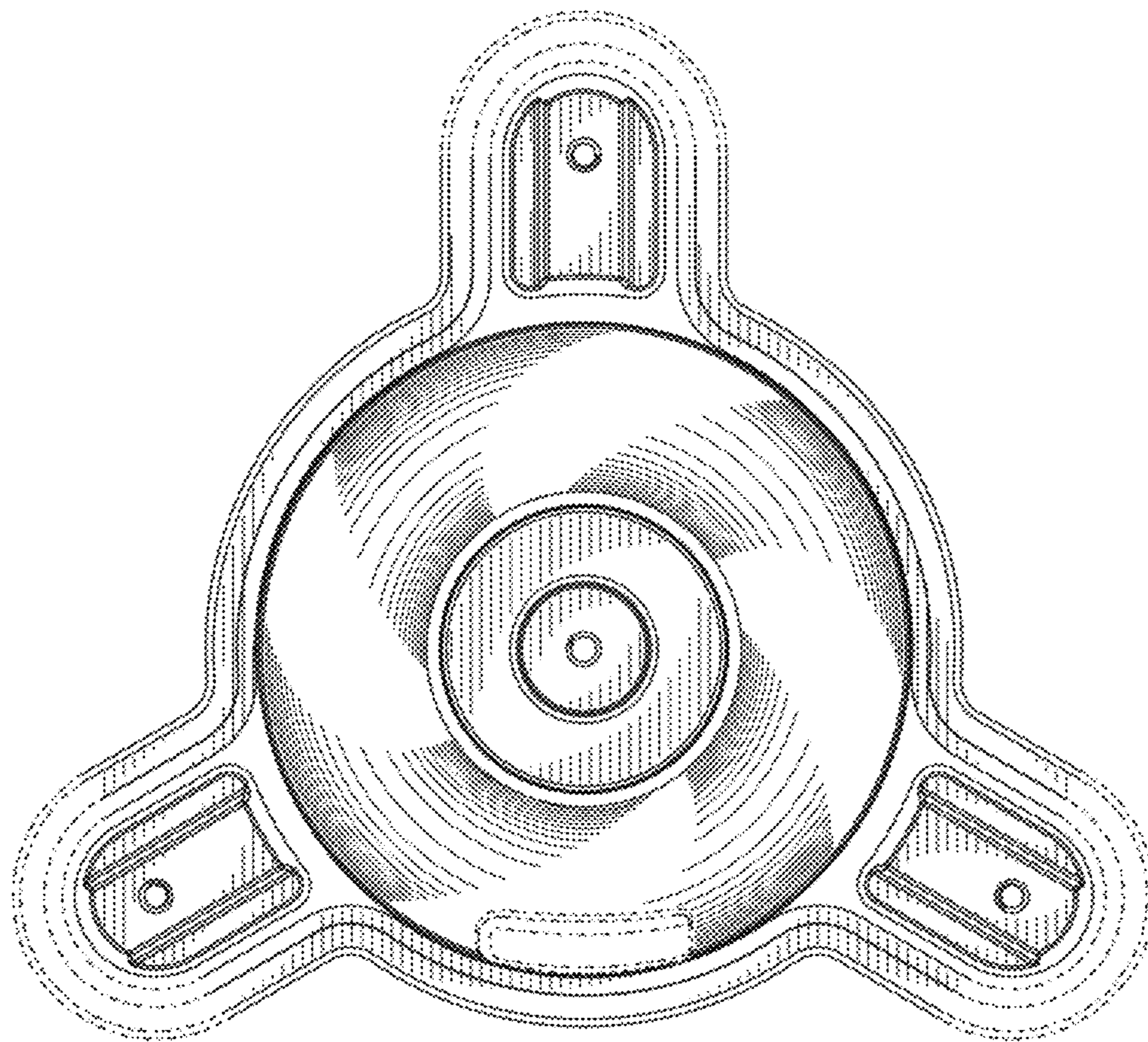


FIG. 6