



US00D896875S

(12) **United States Design Patent** (10) **Patent No.:** **US D896,875 S**  
**Kuroda** (45) **Date of Patent:** **\*\* Sep. 22, 2020**

(54) **PROJECTOR**

(71) Applicant: **FUJIFILM Corporation**, Tokyo (JP)

(72) Inventor: **Yasuto Kuroda**, Saitama (JP)

(73) Assignee: **FUJIFILM Corporation**, Minato-Ku, Tokyo (JP)

(\*\*) Term: **15 Years**

(21) Appl. No.: **29/653,003**

(22) Filed: **Jun. 12, 2018**

**Related U.S. Application Data**

(62) Division of application No. 29/573,075, filed on Aug. 2, 2016.

(30) **Foreign Application Priority Data**

Feb. 5, 2016 (JP) ..... 2016-002561  
Feb. 5, 2016 (JP) ..... 2016-002562

(51) **LOC (12) Cl.** ..... **16-02**

(52) **U.S. Cl.**  
USPC ..... **D16/235**

(58) **Field of Classification Search**  
USPC ..... D16/101, 130, 134, 137, 208, 213,  
D16/221-236; D26/35, 36, 123, 124;  
D9/428, 454  
CPC .... G03B 21/00; G03B 21/20; G03B 21/2006;  
G03B 21/2013; G03B 21/202; G03B  
21/2026; G03B 21/001; G03B 21/12;  
G03B 21/14; G03B 21/145; G03B 13/00;  
G03B 13/06; G02B 1/041; G02B 1/113;  
G02B 5/00; G02B 27/00; G02B 13/003;  
G02B 13/005; G02B 13/0025; G02B  
13/0085; F21V 3/02  
See application file for complete search history.

(56) **References Cited**

U.S. PATENT DOCUMENTS

D28,455 S \* 4/1898 Baker ..... D15/144  
D38,410 S 1/1907 Crary  
D68,189 S 9/1925 Beyer  
D68,896 S 12/1925 Berk  
D182,672 S \* 4/1958 Korabowski ..... D10/106.1

(Continued)

OTHER PUBLICATIONS

Planetarium Projectors; Retrieved from Discovery Dome <http://www.eplanetarium.com/projectors.php>; Retrieved on Apr. 17, 2018; found on [discoverydome.com](http://discoverydome.com) Mar. 7, 2010; (tineye) <https://tineye.com/search/c31000b80d57d663796517129fd37e4e1949e441/> (Year: 2010).

(Continued)

*Primary Examiner* — Wan Laymon

*Assistant Examiner* — Clint A Samuel

(74) *Attorney, Agent, or Firm* — Sughrue Mion, PLLC

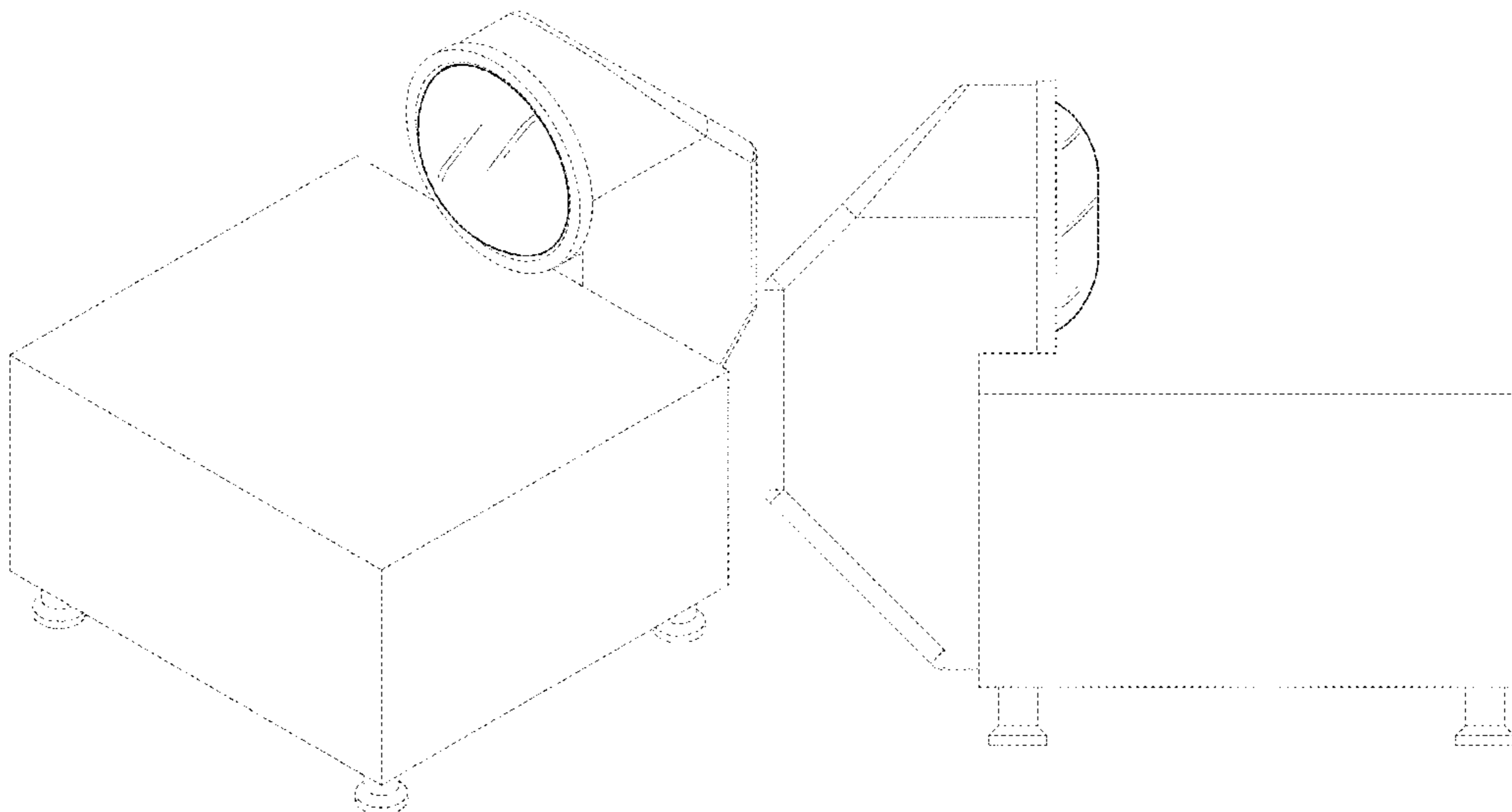
(57) **CLAIM**

The ornamental design for a projector, as shown and described.

**DESCRIPTION**

FIG. 1 is a perspective view of the projector showing the new design;  
FIG. 2 is a front view thereof.  
FIG. 3 is a rear view thereof.  
FIG. 4 is a top view thereof.  
FIG. 5 is a bottom view thereof.  
FIG. 6 is a left side view thereof; and,  
FIG. 7 is a right side view thereof.  
The broken lines are used to show portions of the projector that are not being claimed, and thus form no part of the claimed design.  
The portions represented with solid lines represent claimed portions. The portions indicated by solid lines are transparent.

**1 Claim, 7 Drawing Sheets**



(56)

References Cited

U.S. PATENT DOCUMENTS

3,461,009 A 8/1969 Snyder  
 D286,446 S \* 10/1986 Caroli ..... D26/123  
 D389,597 S \* 1/1998 Gismondi ..... D26/74  
 5,908,265 A 6/1999 Mostkoff  
 D447,964 S 9/2001 Kompa  
 D457,433 S \* 5/2002 Costanzo ..... D9/454  
 D461,200 S 8/2002 Pierotti  
 D500,343 S 12/2004 McRobbie  
 D534,076 S 12/2006 Green  
 D553,661 S 10/2007 Nakayama  
 D554,174 S 10/2007 Nakayama  
 D611,080 S 3/2010 Chen  
 D616,005 S 5/2010 Peng  
 D624,105 S 9/2010 Peng  
 D627,225 S \* 11/2010 Gonzalez Sanchez ..... D9/449  
 D630,666 S 1/2011 Matsumoto  
 D631,076 S 1/2011 Liu  
 D655,739 S 3/2012 Ogawa  
 D661,721 S 6/2012 Fujikawa  
 D663,346 S 7/2012 Fujikawa  
 D666,353 S \* 8/2012 Lin ..... D26/124  
 8,363,339 B2 \* 1/2013 Hirao ..... G02B 9/34  
 359/694  
 D694,463 S \* 11/2013 Sieczkowski ..... D26/124  
 D701,638 S 3/2014 Inaba  
 D719,700 S 12/2014 Chou  
 D727,558 S 4/2015 Tang  
 9,004,700 B2 4/2015 DeCusatis  
 D747,824 S \* 1/2016 Stolte ..... F21V 29/004  
 D26/89  
 D765,752 S 9/2016 Chiu  
 D765,753 S 9/2016 Hsu  
 D771,860 S 11/2016 Weiss  
 D773,302 S 12/2016 Henriksson

D777,367 S \* 1/2017 Ma ..... D26/104  
 D778,332 S \* 2/2017 Suzuki ..... D16/134  
 D778,333 S \* 2/2017 Takatori ..... D16/134  
 D778,334 S 2/2017 Takatori  
 D782,103 S 3/2017 Shields  
 9,709,879 B2 7/2017 Otsuki  
 9,726,964 B2 8/2017 Enokishima  
 D803,470 S 11/2017 Austin, III  
 D803,918 S 11/2017 Kameda  
 D839,338 S \* 1/2019 Persson ..... D16/203  
 D845,375 S \* 4/2019 Kuroda ..... D16/235  
 D848,518 S \* 5/2019 Kuroda ..... D16/235  
 D856,398 S \* 8/2019 Ito ..... D16/235  
 D857,782 S \* 8/2019 Ito ..... D16/235  
 D857,783 S \* 8/2019 Kuroda ..... D16/235  
 D863,392 S \* 10/2019 Okitsu ..... D16/134  
 D866,645 S \* 11/2019 Kayano ..... D16/235  
 2005/0213058 A1 9/2005 Inamoto  
 2011/0267709 A1 \* 11/2011 Hirao ..... G02B 13/006  
 359/795  
 2013/0141801 A1 6/2013 Yun  
 2013/0286355 A1 10/2013 Lin  
 2014/0267201 A1 \* 9/2014 Domm ..... G03B 21/00  
 345/207  
 2015/0108902 A1 \* 4/2015 Homma ..... G01J 1/0488  
 315/152  
 2015/0378247 A1 12/2015 Otsuki  
 2016/0011494 A1 1/2016 Otsuki  
 2018/0180250 A1 \* 6/2018 Yamada ..... H01L 33/486

OTHER PUBLICATIONS

An Office Action dated May 4, 2018, which issued during the prosecution of U.S. Appl. No. 29/573,075.

\* cited by examiner

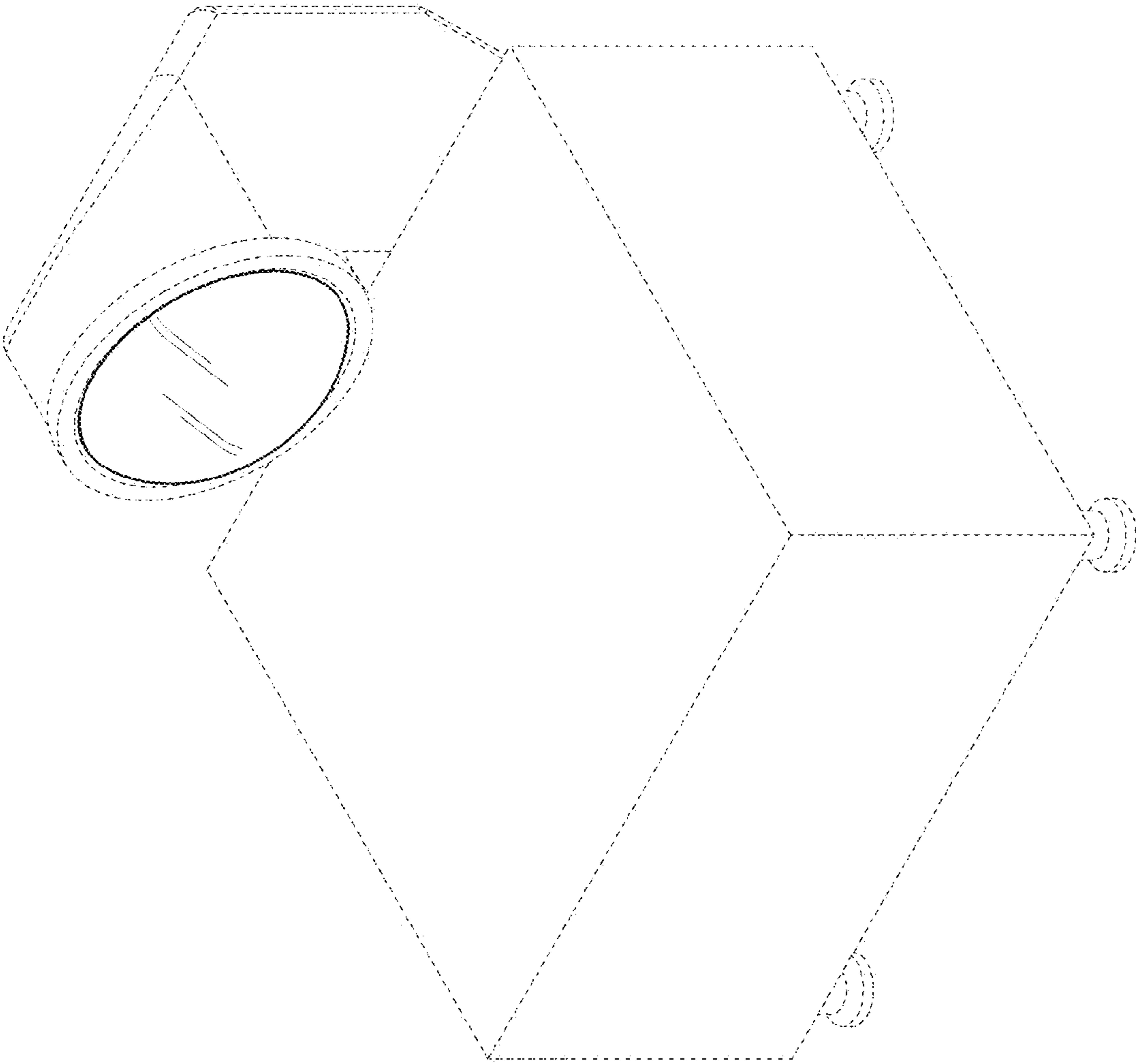


FIG.1

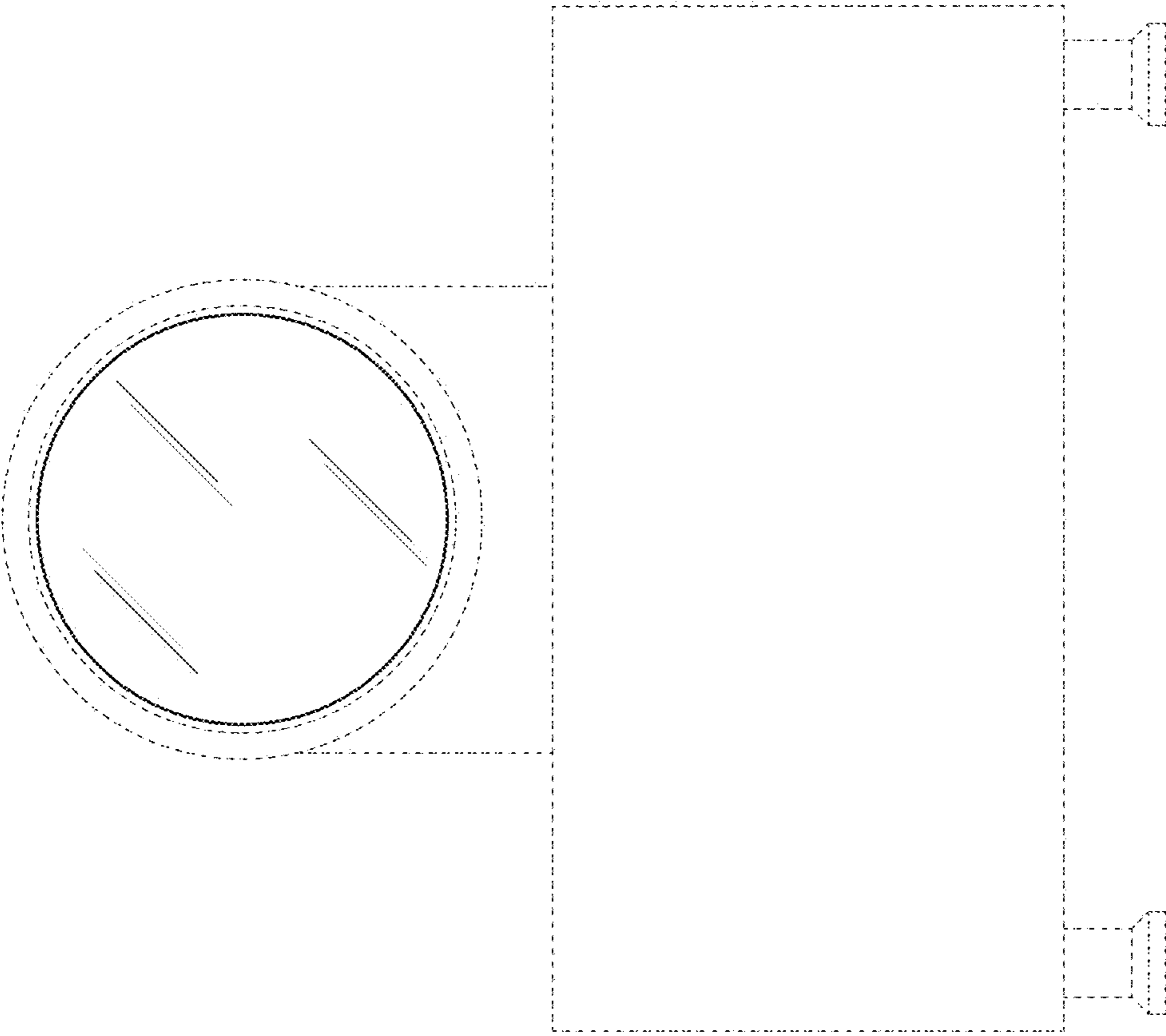


FIG.2

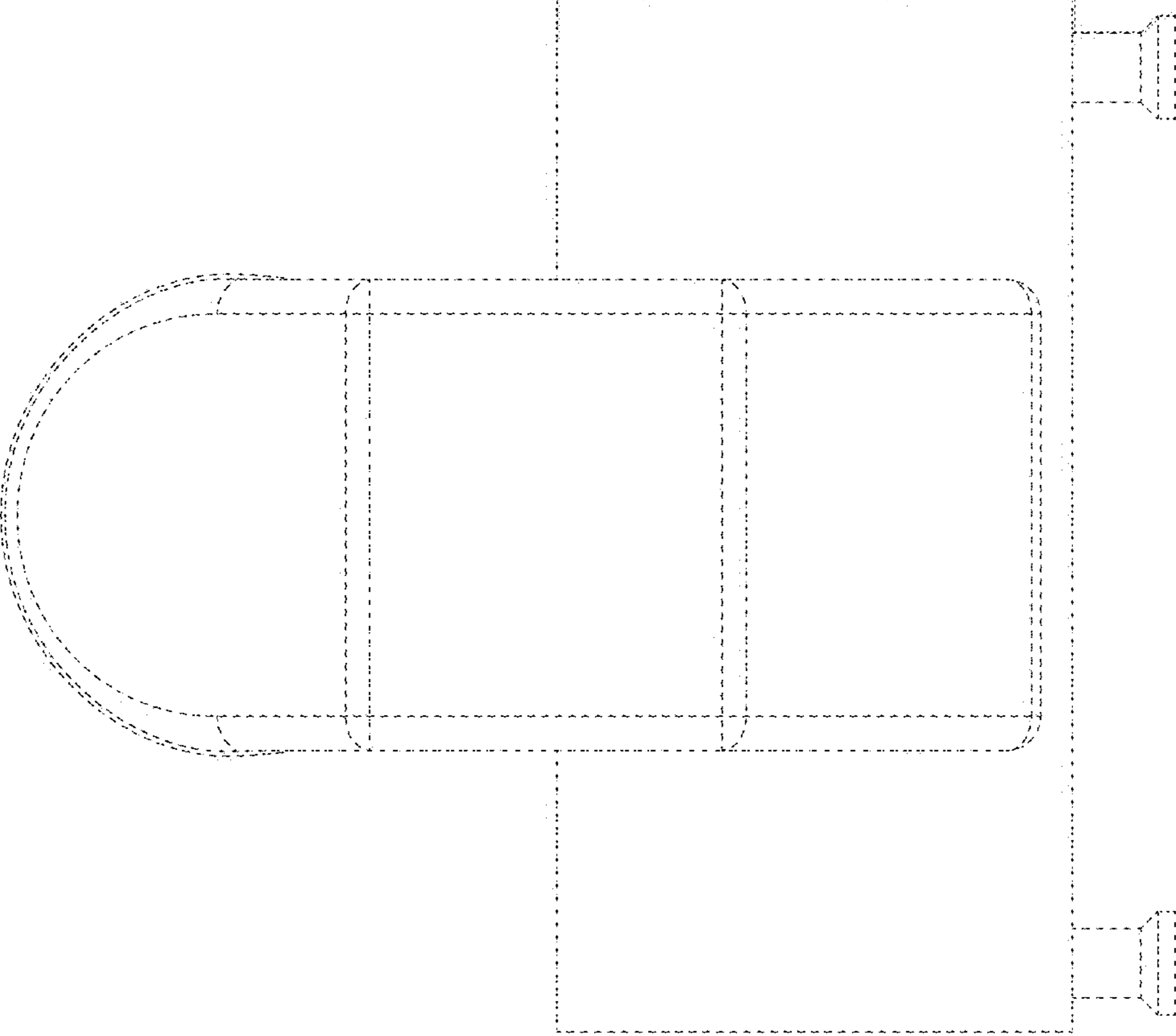


FIG.3

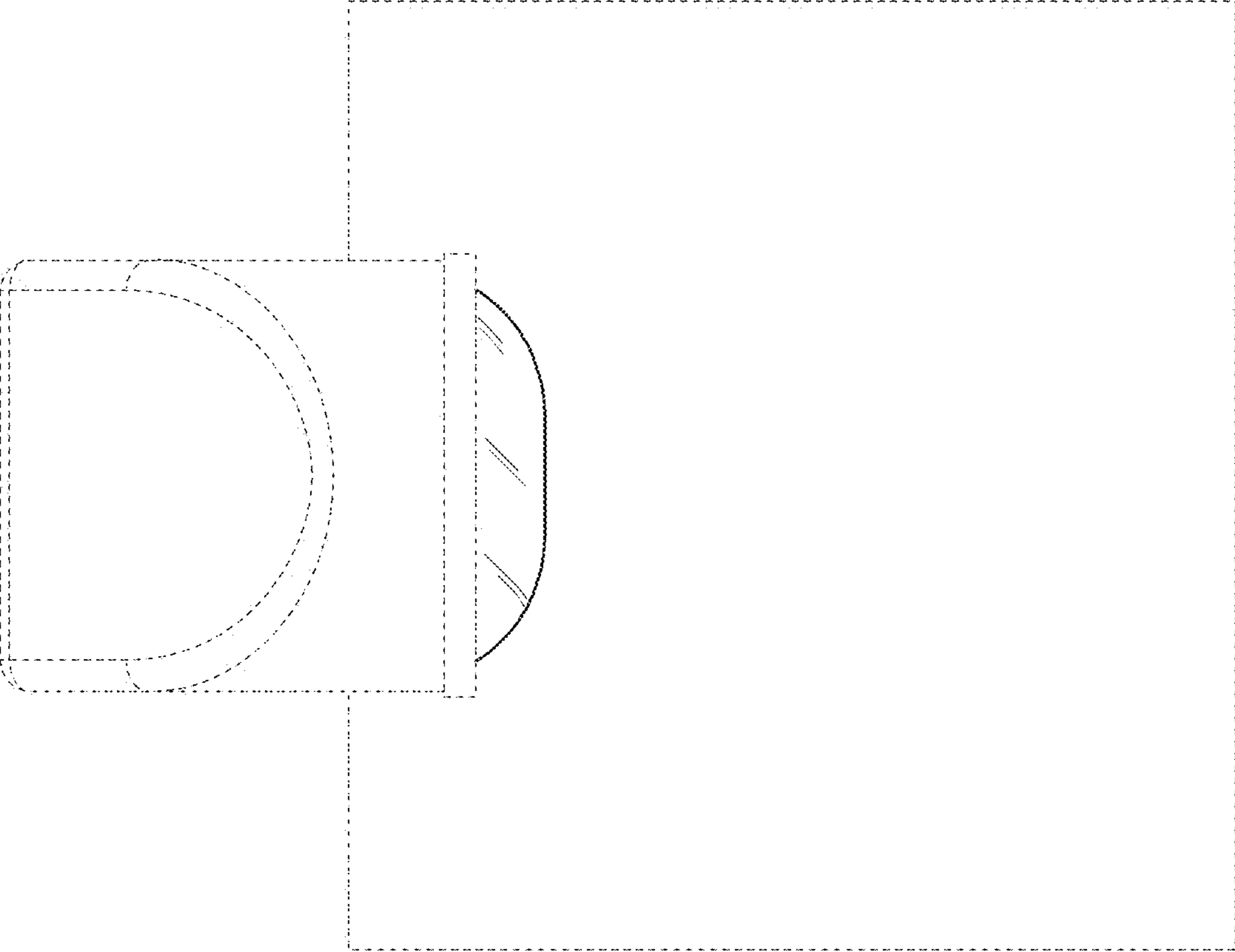


FIG.4

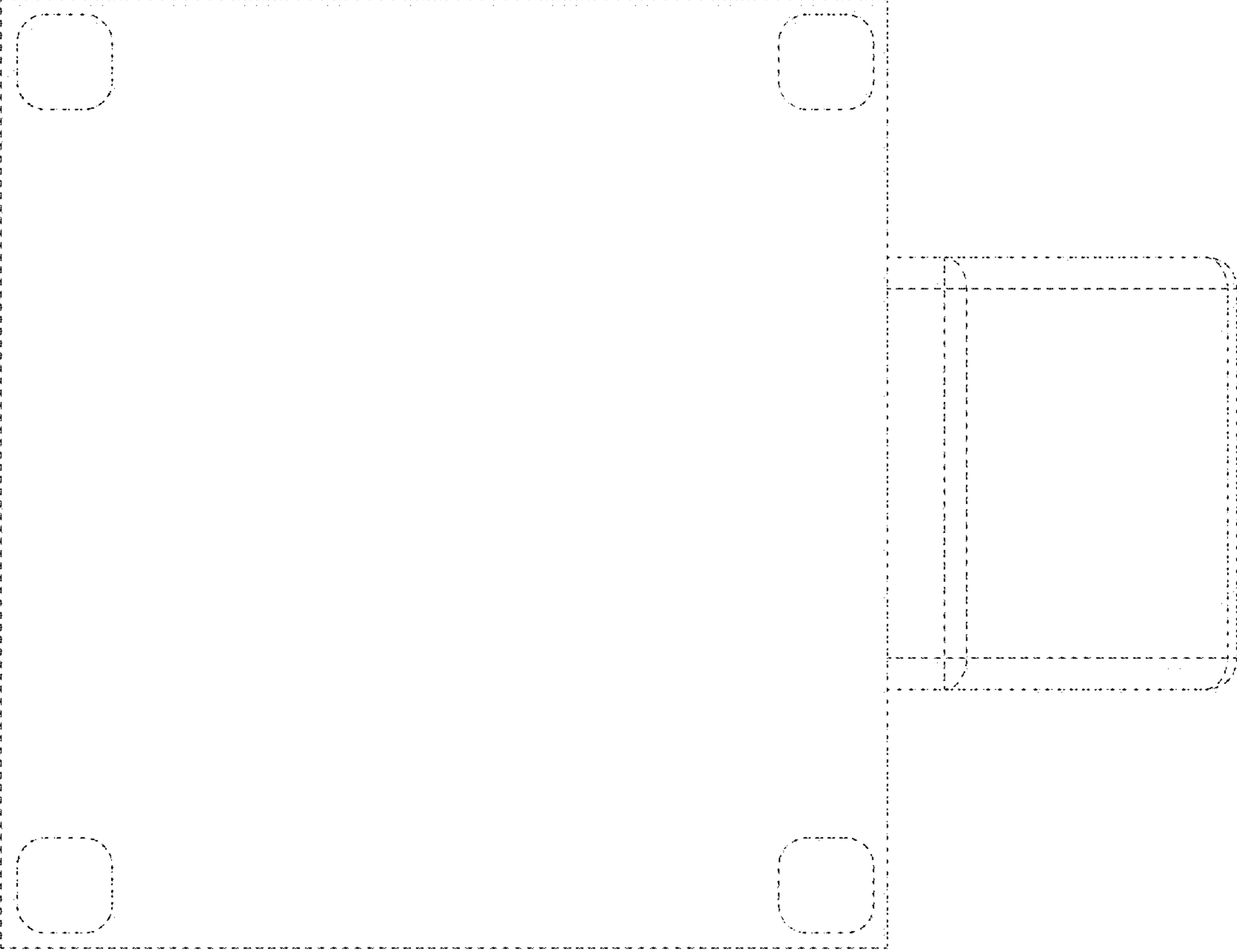


FIG. 5

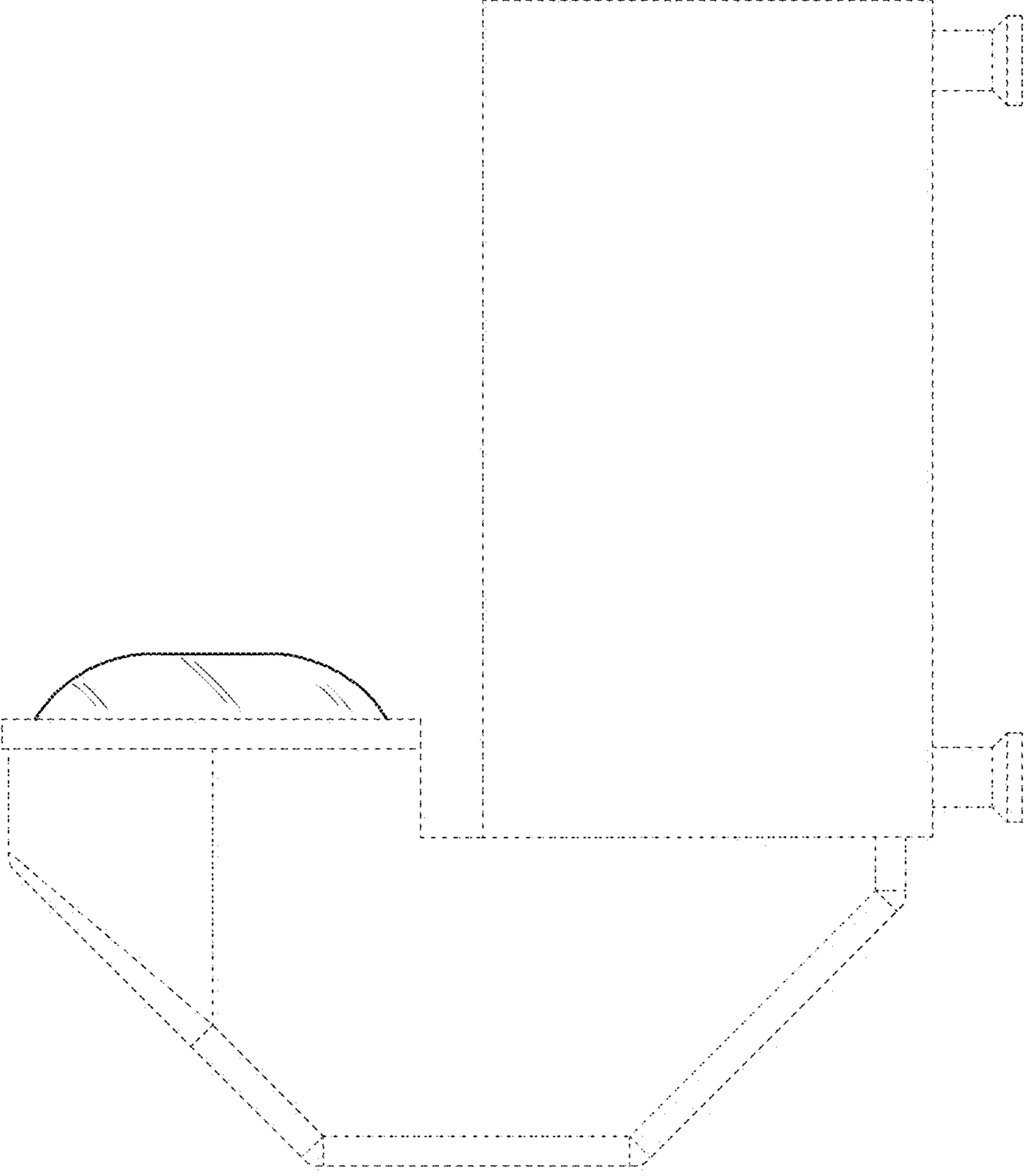


FIG.6



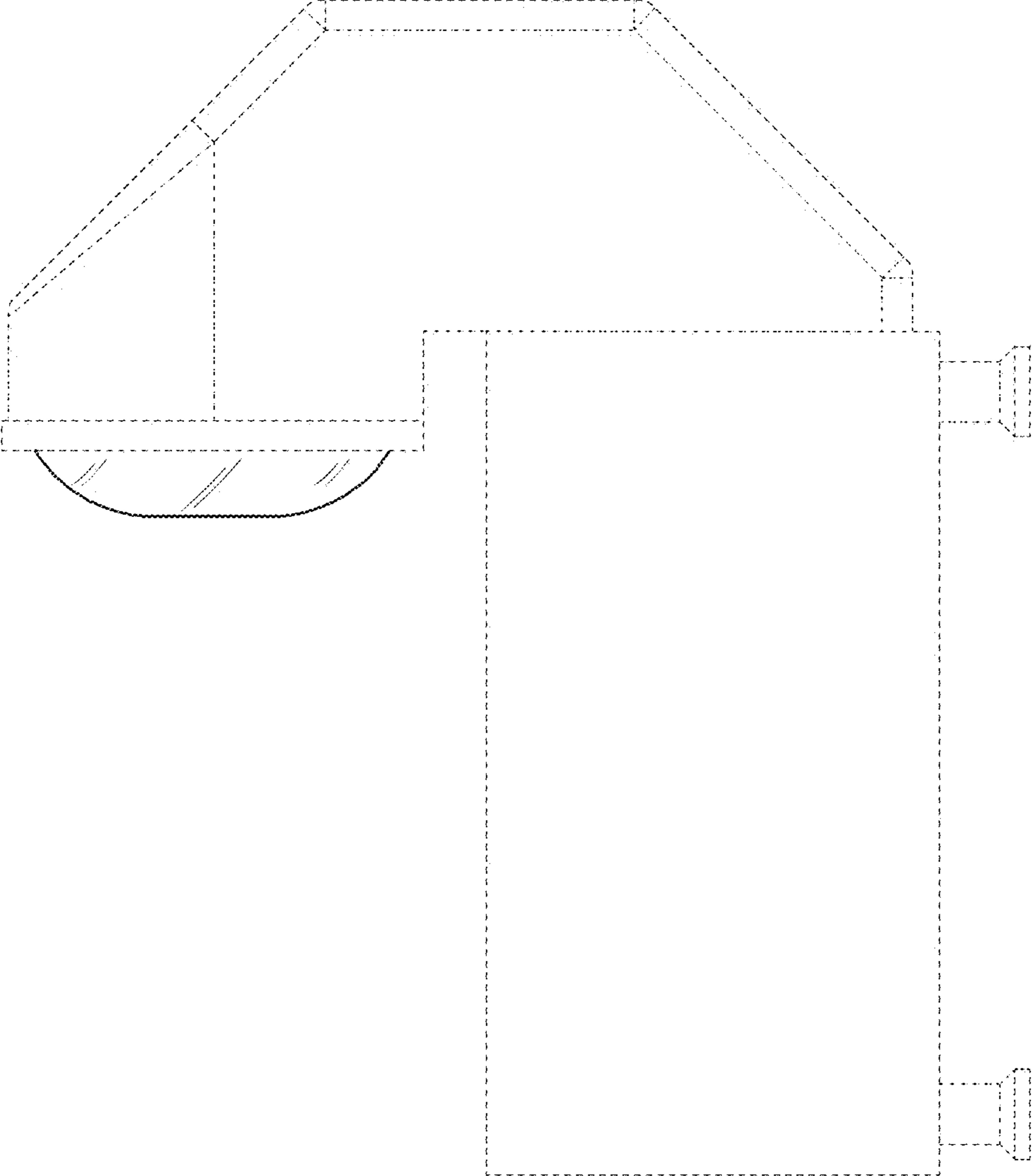


FIG.7