



US00D896873S

(12) **United States Design Patent** (10) **Patent No.:** **US D896,873 S**
Lee (45) **Date of Patent:** **** Sep. 22, 2020**

(54) **INTERCHANGEABLE LENS FOR CAMERA**

(71) Applicant: **SAMYANG OPTICS CO., LTD.**,
Gyeongsangnam-do (KR)

(72) Inventor: **Han Jea Lee**, Gyeongsangnam-do (KR)

(73) Assignee: **SAMYANG OPTICS CO., LTD.**,
Changwon-si (KR)

(**) Term: **15 Years**

(21) Appl. No.: **29/643,320**

(22) Filed: **Apr. 6, 2018**

(30) **Foreign Application Priority Data**

Jan. 22, 2018 (KR) 30-2018-0003566

(51) **LOC (12) Cl.** **16-05**

(52) **U.S. Cl.**
USPC **D16/219**

(58) **Field of Classification Search**

USPC D16/134, 136, 200, 202, 203, 204, 205,
D16/218, 219, 235, 242

CPC G03B 9/08; G03B 15/03; G03B 17/00;
G03B 17/02; G03B 17/04; G03B 17/14;
G03B 17/56; G03B 19/04; H04N 5/2251;
H04N 5/2252; H04N 5/2253; H04N
5/2254; H04N 7/00; H04N 2101/00;
G02B 3/14; G02B 7/02; G02B 7/04;
G02B 7/14

See application file for complete search history.

(56) **References Cited**

U.S. PATENT DOCUMENTS

D390,857 S * 2/1998 Hayamizu D16/134
D412,922 S * 8/1999 Sekine D16/134
D562,862 S * 2/2008 Yasutomi D16/134
D562,864 S * 2/2008 Yasutomi D16/134
D562,865 S * 2/2008 Yasutomi D16/134

D566,158 S * 4/2008 Yasutomi D16/134
D718,361 S * 11/2014 Noh D16/219
D724,644 S * 3/2015 Tainaka D16/219
D726,239 S * 4/2015 So D16/219
D783,078 S * 4/2017 Kim D16/219
D783,700 S * 4/2017 Tagawa D16/219
D837,277 S * 1/2019 Ikegame D16/219
D849,115 S * 5/2019 Lee D16/219
D849,116 S * 5/2019 Lee D16/219
2017/0184810 A1 * 6/2017 Shinano G02B 7/10
2019/0187406 A1 * 6/2019 Hattori G02B 7/02

* cited by examiner

Primary Examiner — Sandra S Snapp

Assistant Examiner — Ieisha N Price

(74) *Attorney, Agent, or Firm* — SoCal IP Law Group
LLP; Jonathan Pearce

(57) **CLAIM**

The ornamental design for the interchangeable lens for camera, as shown and described.

DESCRIPTION

A portion of the disclosure of this patent document contains material to which a claim for copyright is made. The copyright owner has no objection to the facsimile reproduction by anyone of the patent document or the patent disclosure, as it appears in the Patent and Trademark Office file or records, but reserves all other copyright rights whatsoever. FIG. 1 is a perspective view of the interchangeable lens for camera

FIG. 2 is a front view thereof;

FIG. 3 is a rear view thereof;

FIG. 4 is a left side view thereof;

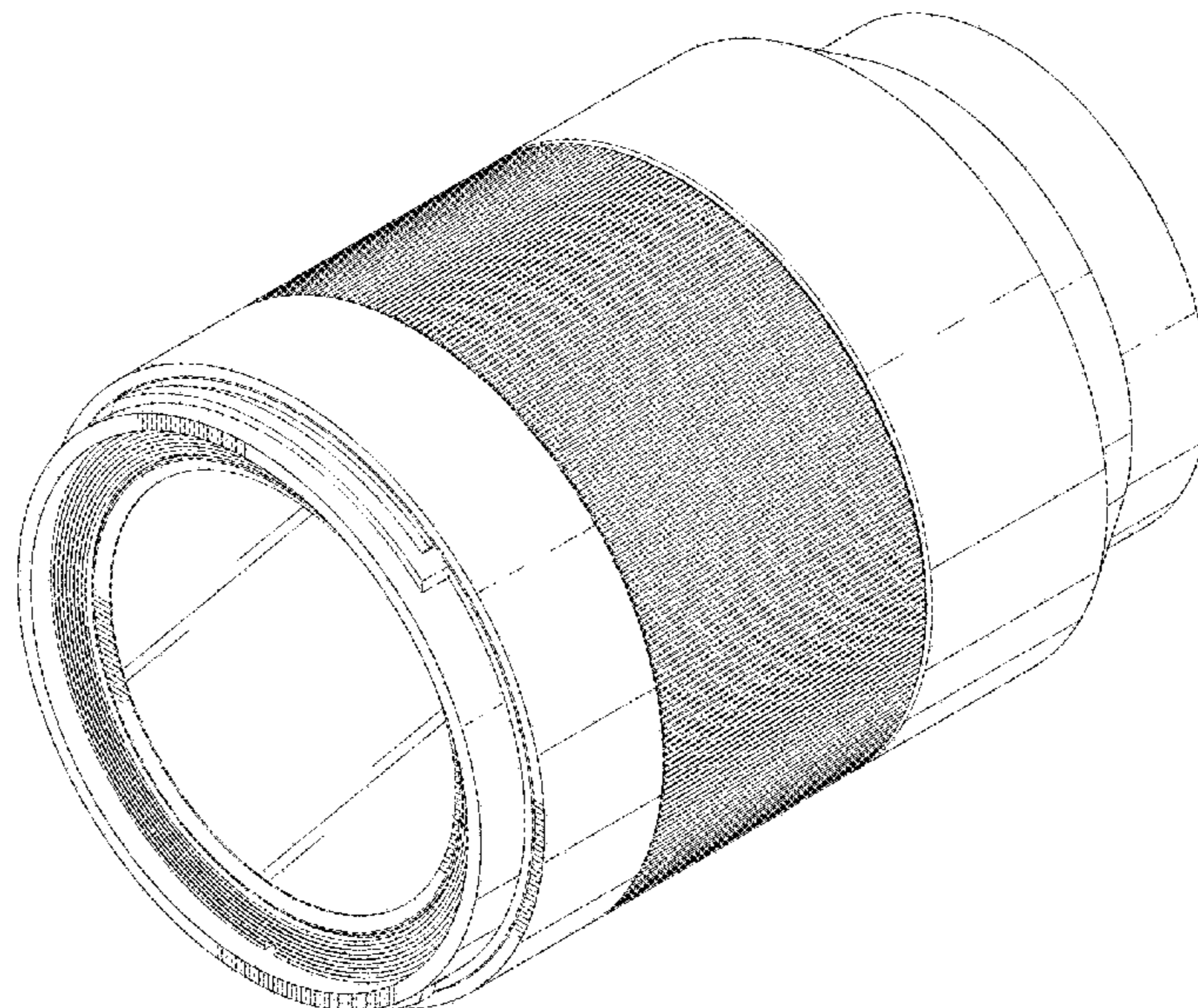
FIG. 5 is a right side view thereof;

FIG. 6 is a top plan view thereof; and,

FIG. 7 is a bottom plan view thereof.

The broken lines in the drawings illustrate portions of the interchangeable lens for camera and form no part of the claimed design.

1 Claim, 7 Drawing Sheets



©2018 SAMYANG OPTICS CO., LTD.

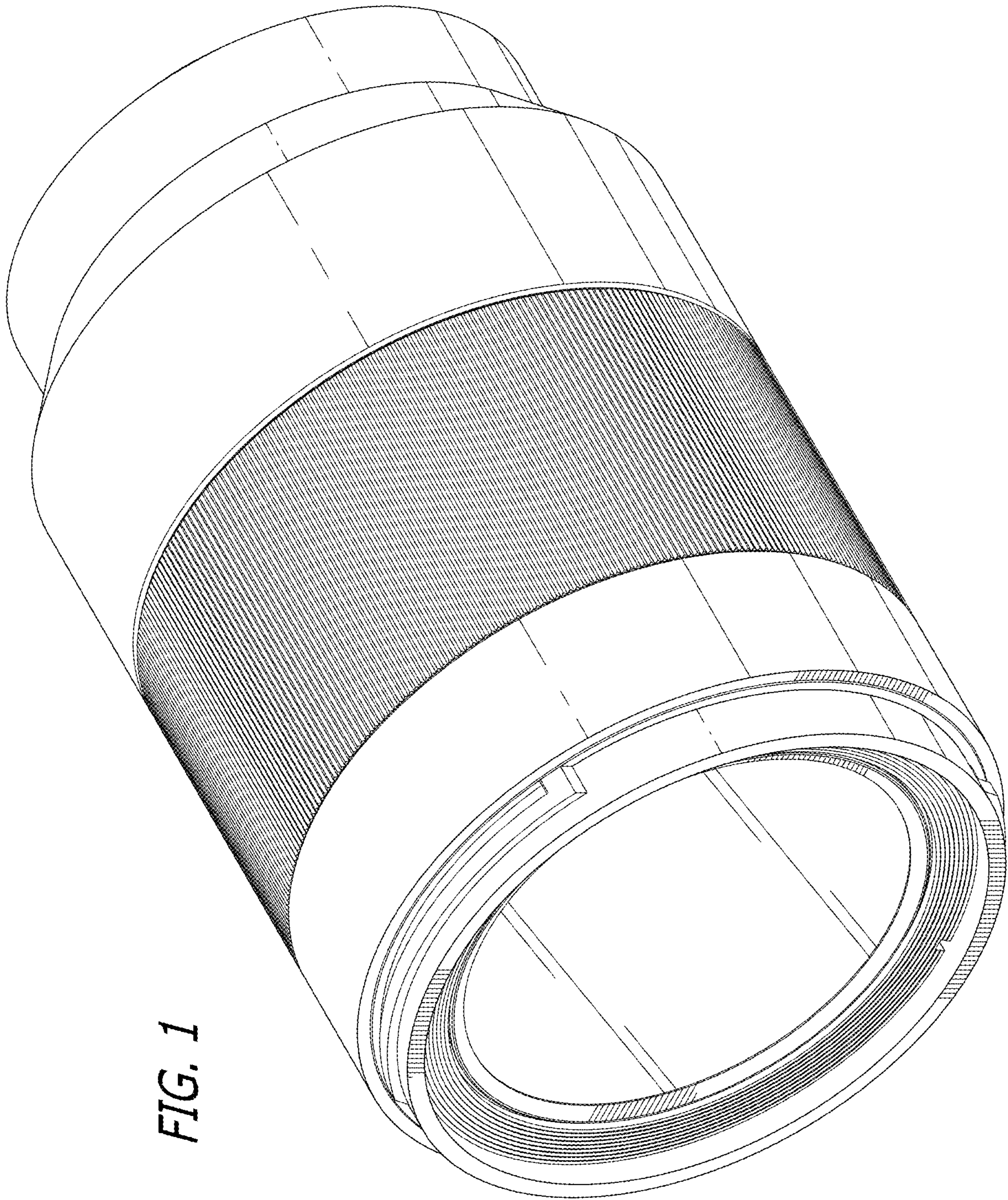


FIG. 1

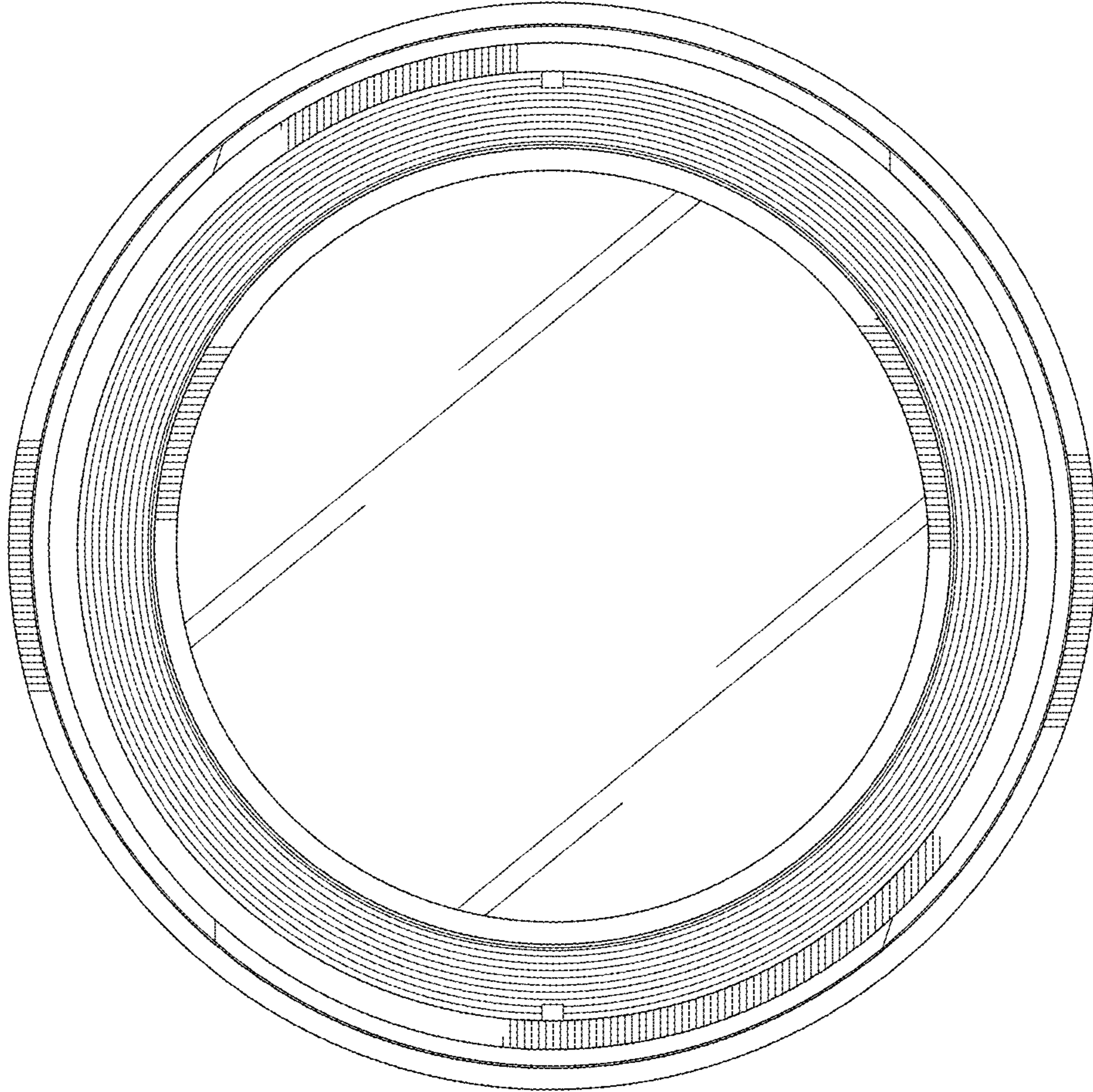


FIG. 2

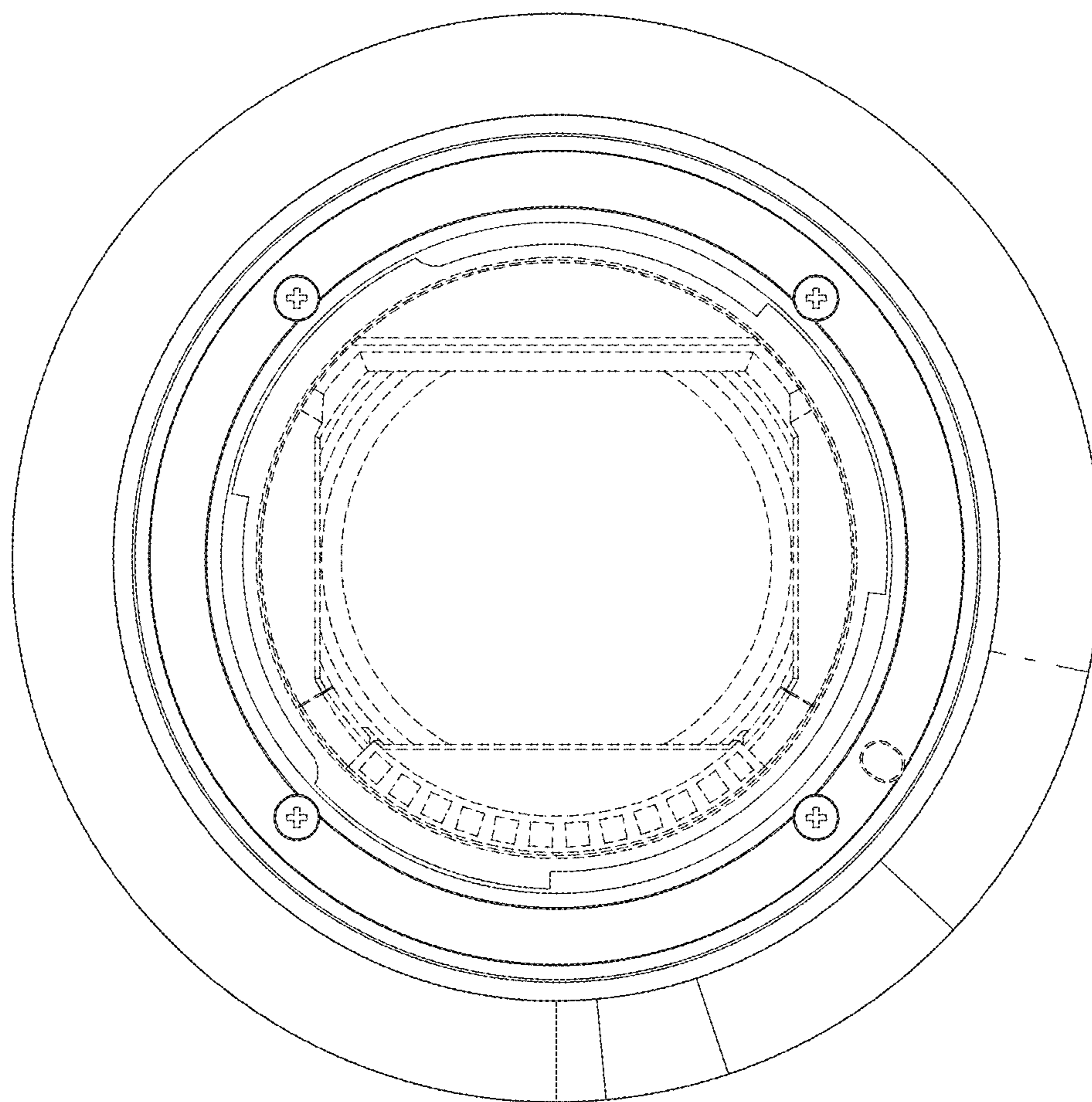


FIG. 3

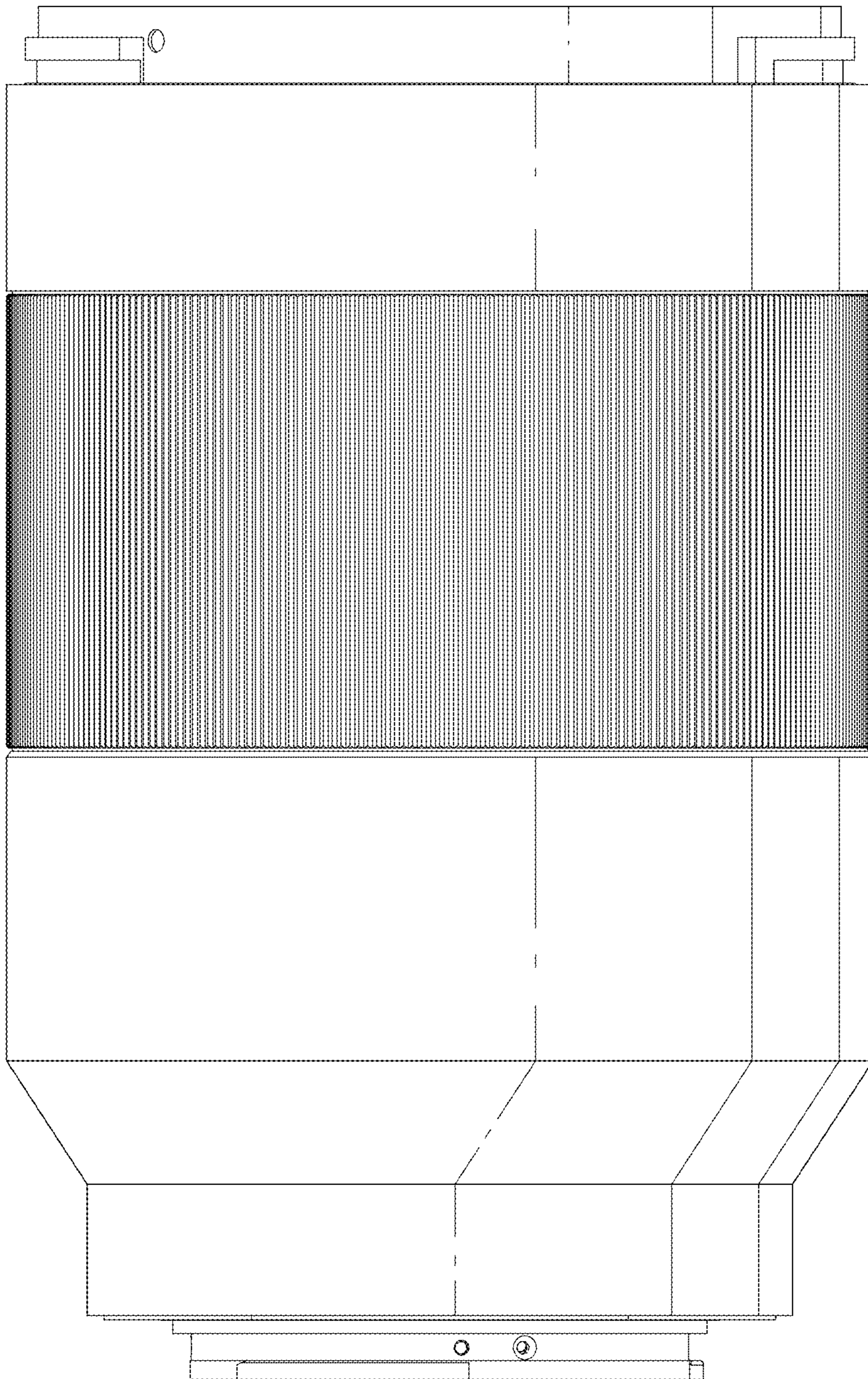


FIG. 4

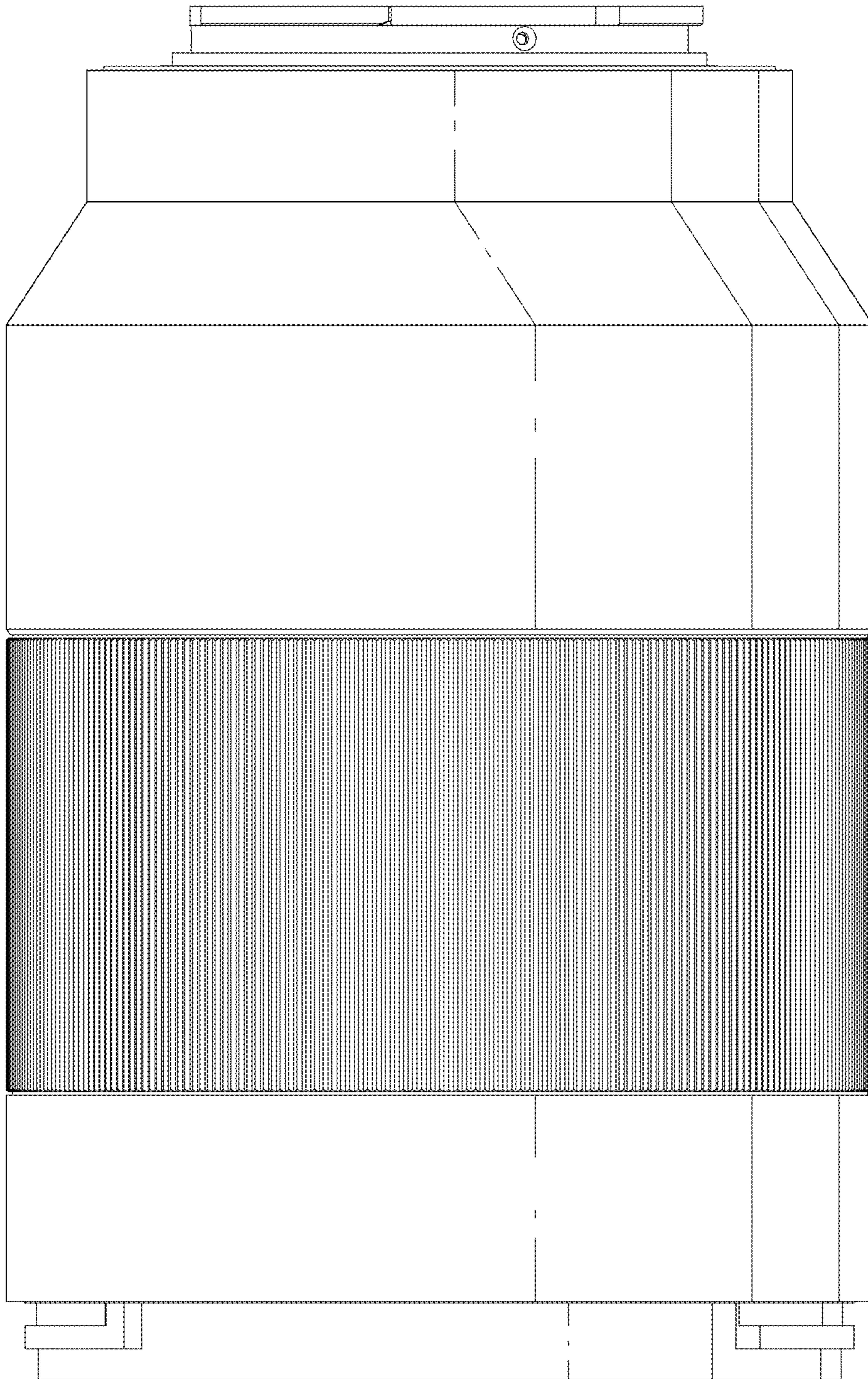


FIG. 5

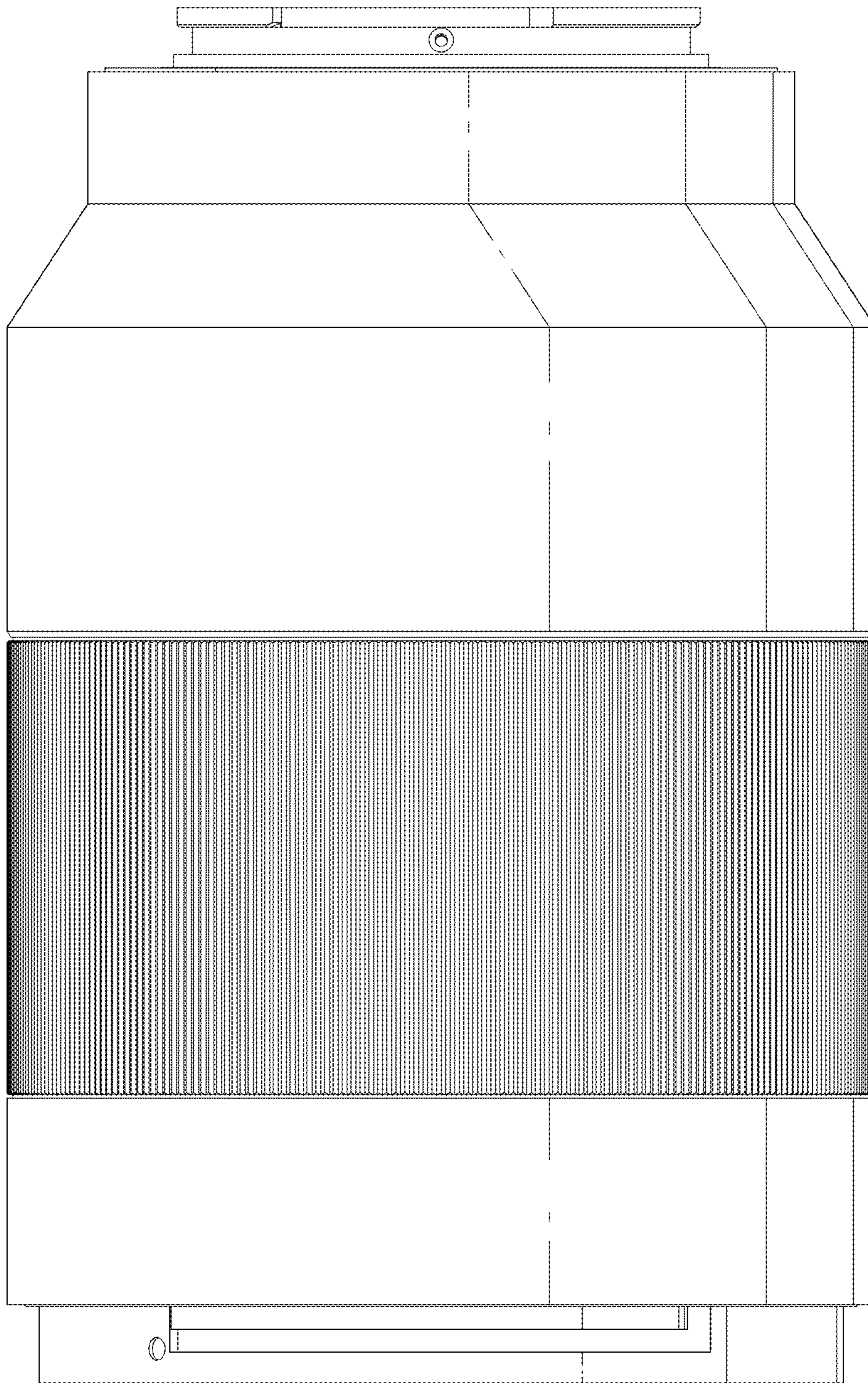


FIG. 6

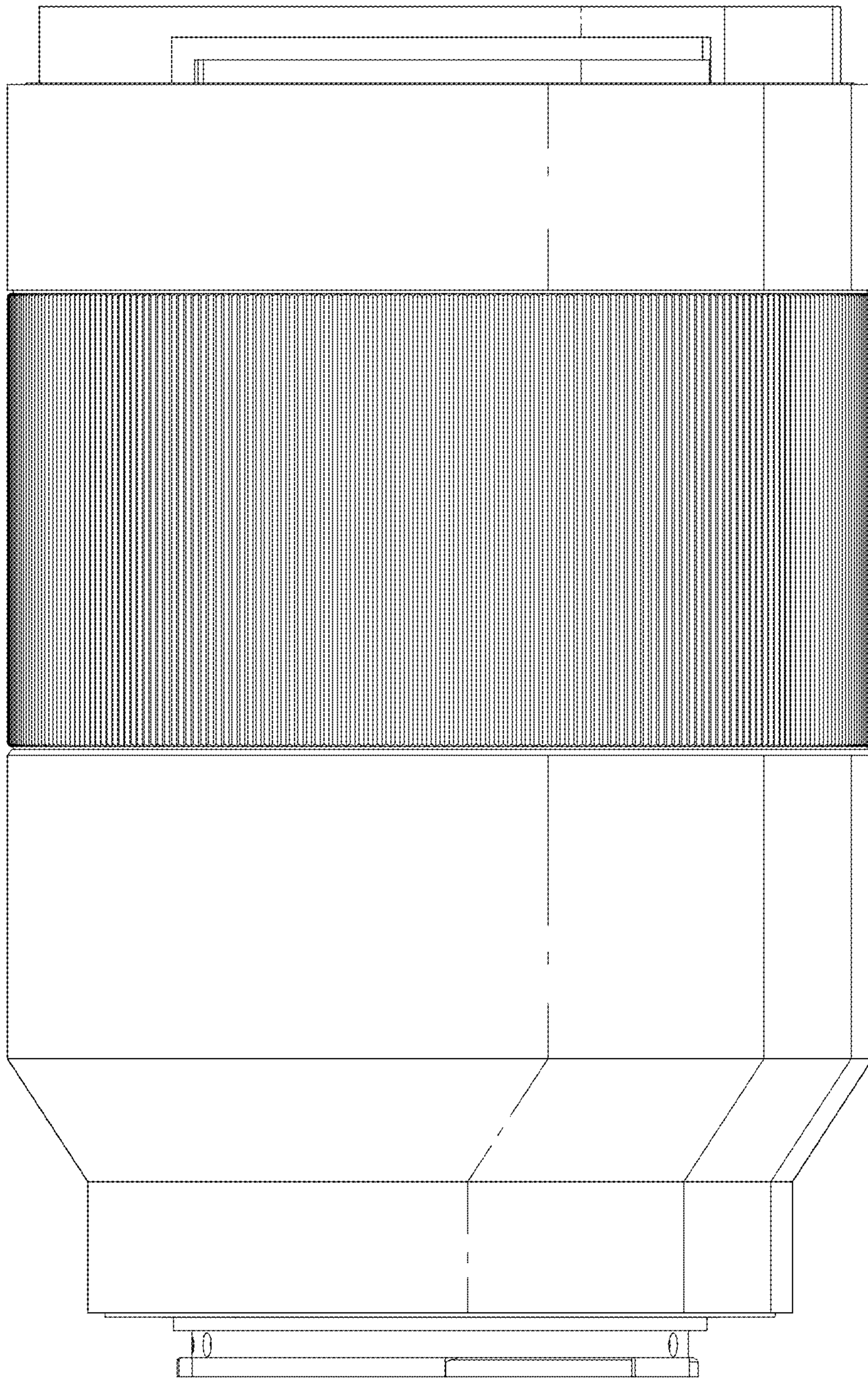


FIG. 7