



US00D896872S

(12) **United States Design Patent** (10) **Patent No.:** **US D896,872 S**  
**Lee** (45) **Date of Patent:** **\*\* Sep. 22, 2020**

(54) **INTERCHANGEABLE LENS FOR CAMERA**  
(71) Applicant: **SAMYANG OPTICS CO., LTD.**,  
Gyeongsangnam-do (KR)  
(72) Inventor: **Han Jea Lee**, Gyeongsangnam-do (KR)  
(73) Assignee: **SAMYANG OPTICS CO., LTD.**,  
Changwon-si (KR)

4,118,716 A \* 10/1978 Suzuki ..... G03B 17/38  
116/213  
D303,268 S \* 9/1989 Yamamoto ..... D16/134  
D426,248 S \* 6/2000 Sumita ..... D16/202  
D562,863 S \* 2/2008 Yasutomi ..... D16/134  
D562,864 S \* 2/2008 Yasutomi ..... D16/134  
D562,865 S \* 2/2008 Yasutomi ..... D16/134  
D684,207 S \* 6/2013 Kim ..... D16/219  
D693,869 S \* 11/2013 Asano ..... D16/219  
8,736,753 B2 \* 5/2014 Kaga ..... G03B 13/02  
348/373  
D713,870 S \* 9/2014 Li ..... D16/219  
(Continued)

(\*\*) Term: **15 Years**  
(21) Appl. No.: **29/643,319**

*Primary Examiner* — Sandra S Snapp  
*Assistant Examiner* — Ieisha N Price  
(74) *Attorney, Agent, or Firm* — SoCal IP Law Group  
LLP; Jonathan Pearce

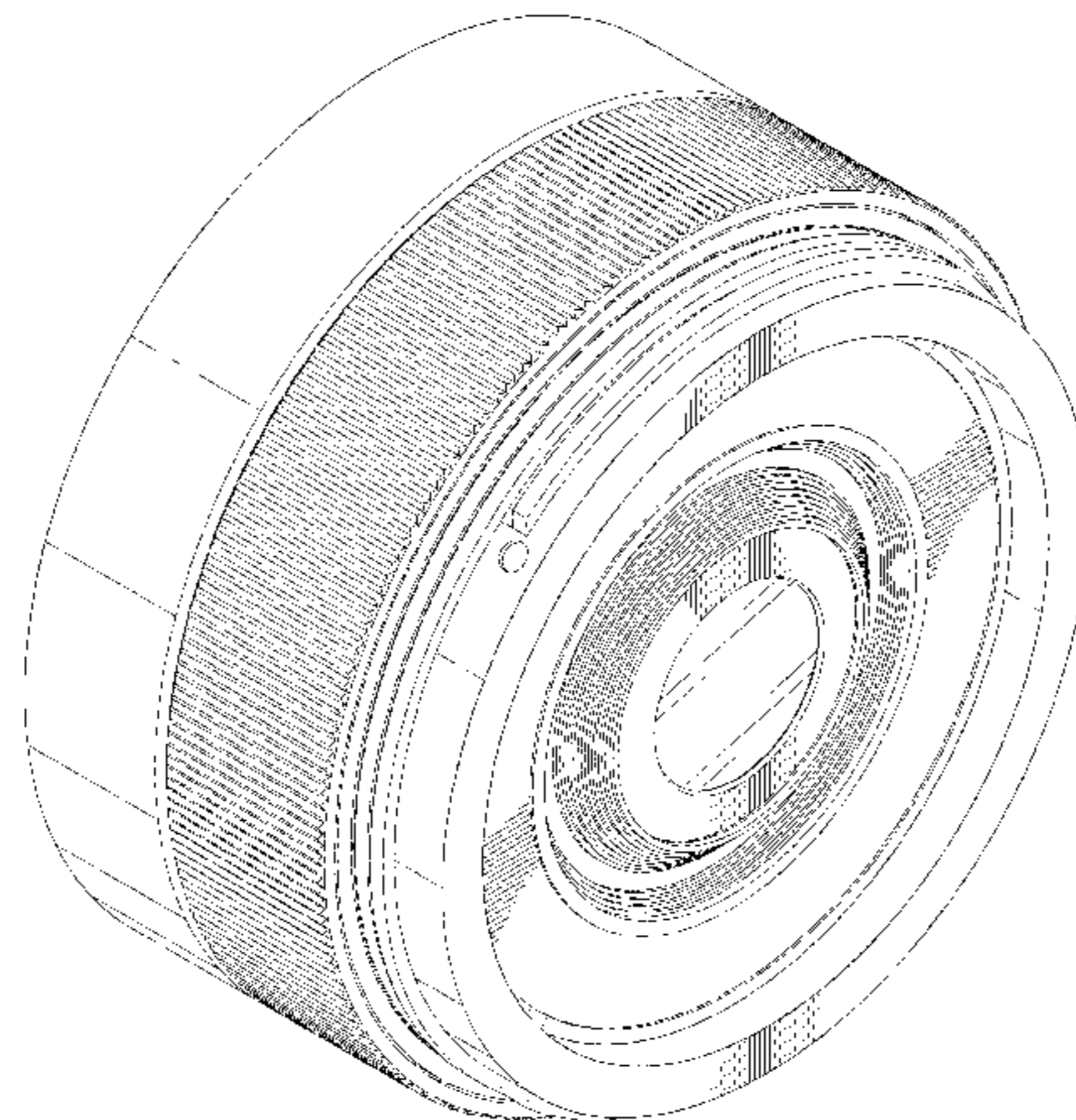
(22) Filed: **Apr. 6, 2018**  
(30) **Foreign Application Priority Data**  
Jan. 22, 2018 (KR) ..... 30-2018-0003565  
(51) **LOC (12) Cl.** ..... **16-05**  
(52) **U.S. Cl.**  
USPC ..... **D16/219**  
(58) **Field of Classification Search**  
USPC ..... D16/134, 136, 200, 202, 203, 204, 205,  
D16/218, 219, 235, 242  
CPC ..... G03B 9/08; G03B 15/03; G03B 17/00;  
G03B 17/02; G03B 17/04; G03B 17/14;  
G03B 17/56; G03B 19/04; H04N 5/2251;  
H04N 5/2252; H04N 5/2253; H04N  
5/2254; H04N 7/00; H04N 2101/00;  
G02B 3/14; G02B 7/02; G02B 7/04;  
G02B 7/14  
See application file for complete search history.

(57) **CLAIM**  
The ornamental design for the interchangeable lens for  
camera, as shown and described.

(56) **References Cited**  
U.S. PATENT DOCUMENTS  
3,906,534 A \* 9/1975 Shirasaki ..... G02B 7/14  
396/530  
4,101,917 A \* 7/1978 Ueda ..... G03B 7/18  
396/298

**DESCRIPTION**  
A portion of the disclosure of this patent document contains  
material to which a claim for copyright is made. The  
copyright owner has no objection to the facsimile reproduc-  
tion by anyone of the patent document or the patent disclo-  
sure, as it appears in the Patent and Trademark Office file or  
records, but reserves all other copyright rights whatsoever.  
FIG. 1 is a perspective view of the interchangeable lens for  
camera  
FIG. 2 is a front view thereof;  
FIG. 3 is a rear view thereof;  
FIG. 4 is a left side view thereof;  
FIG. 5 is a right side view thereof;  
FIG. 6 is a top plan view thereof; and,  
FIG. 7 is a bottom plan view thereof.  
The broken lines in the drawings illustrate portions of the  
interchangeable lens for camera and form no part of the  
claimed design.

**1 Claim, 7 Drawing Sheets**



(56)

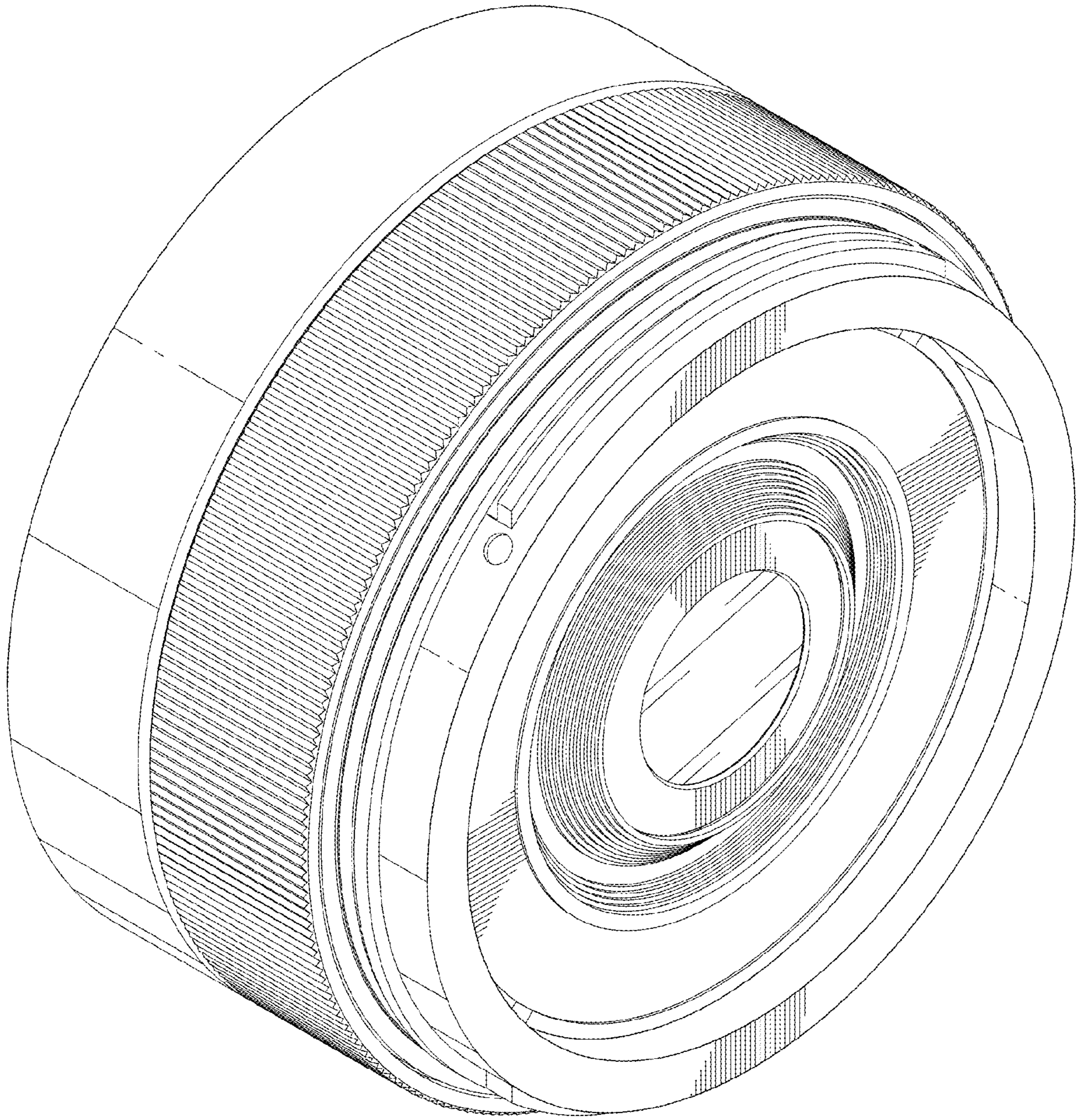
**References Cited**

## U.S. PATENT DOCUMENTS

D718,362	S *	11/2014	Noh	.....	D16/219
D726,239	S *	4/2015	So	.....	D16/219
D727,994	S *	4/2015	Hasuda	.....	D16/219
D744,024	S *	11/2015	Oh	.....	D16/219
D750,688	S *	3/2016	Oh	.....	D16/134
D791,210	S *	7/2017	Mori	.....	D16/202
D794,693	S *	8/2017	Sato	.....	D16/202
9,794,458	B2 *	10/2017	Imamura	.....	G03B 17/14
10,234,748	B2 *	3/2019	Tsuge	.....	G03B 17/02
2010/0166417	A1 *	7/2010	Lee	.....	G03B 17/14 396/531
2011/0273777	A1 *	11/2011	Koyama	.....	G02B 7/021 359/611
2015/0211840	A1 *	7/2015	Katsumata	.....	G02B 7/14 348/340
2015/0331221	A1 *	11/2015	Koiwai	.....	G02B 7/10 359/701
2016/0006923	A1 *	1/2016	Imamura	.....	H04N 5/23209 348/208.11
2016/0309076	A1 *	10/2016	Steinberg	.....	H04N 5/23216
2016/0309092	A1 *	10/2016	Feinberg	.....	H04N 5/23216
2016/0344909	A1 *	11/2016	Noguchi	.....	G03B 17/14
2017/0227833	A1 *	8/2017	Yang	.....	F16M 13/02
2019/0212522	A1 *	7/2019	Imanishi	.....	G02B 7/08

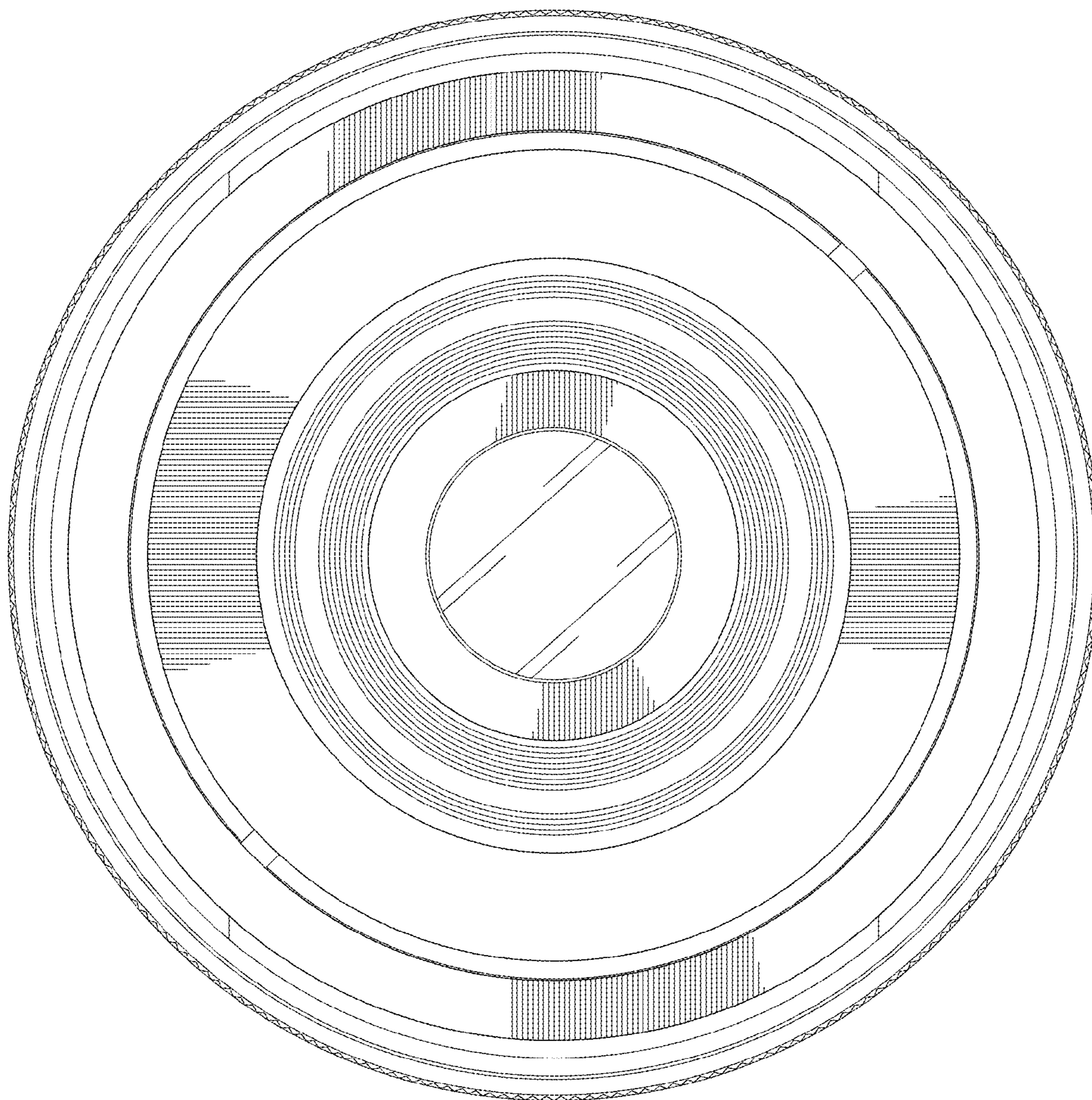
\* cited by examiner



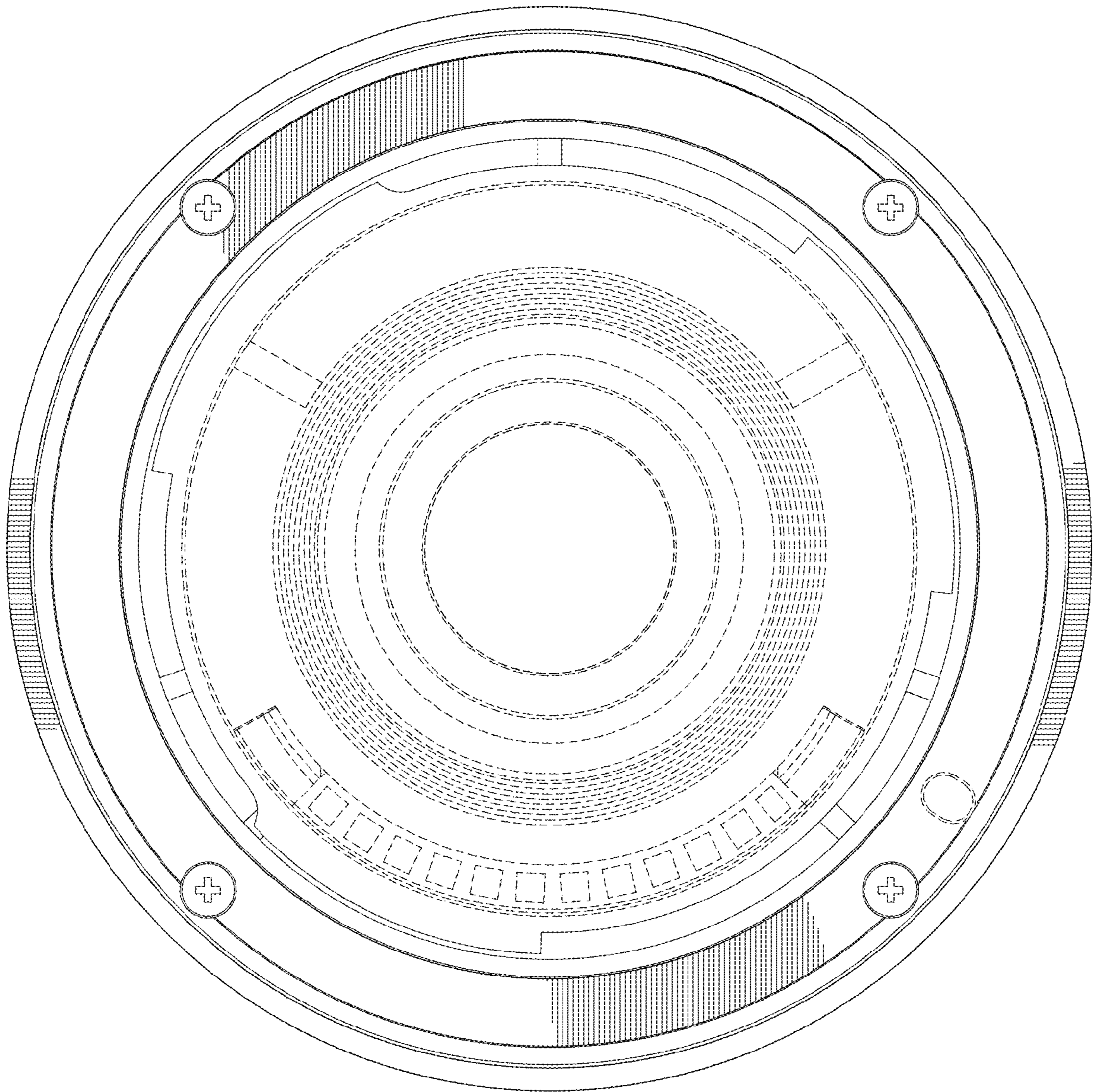


**FIG. 1**



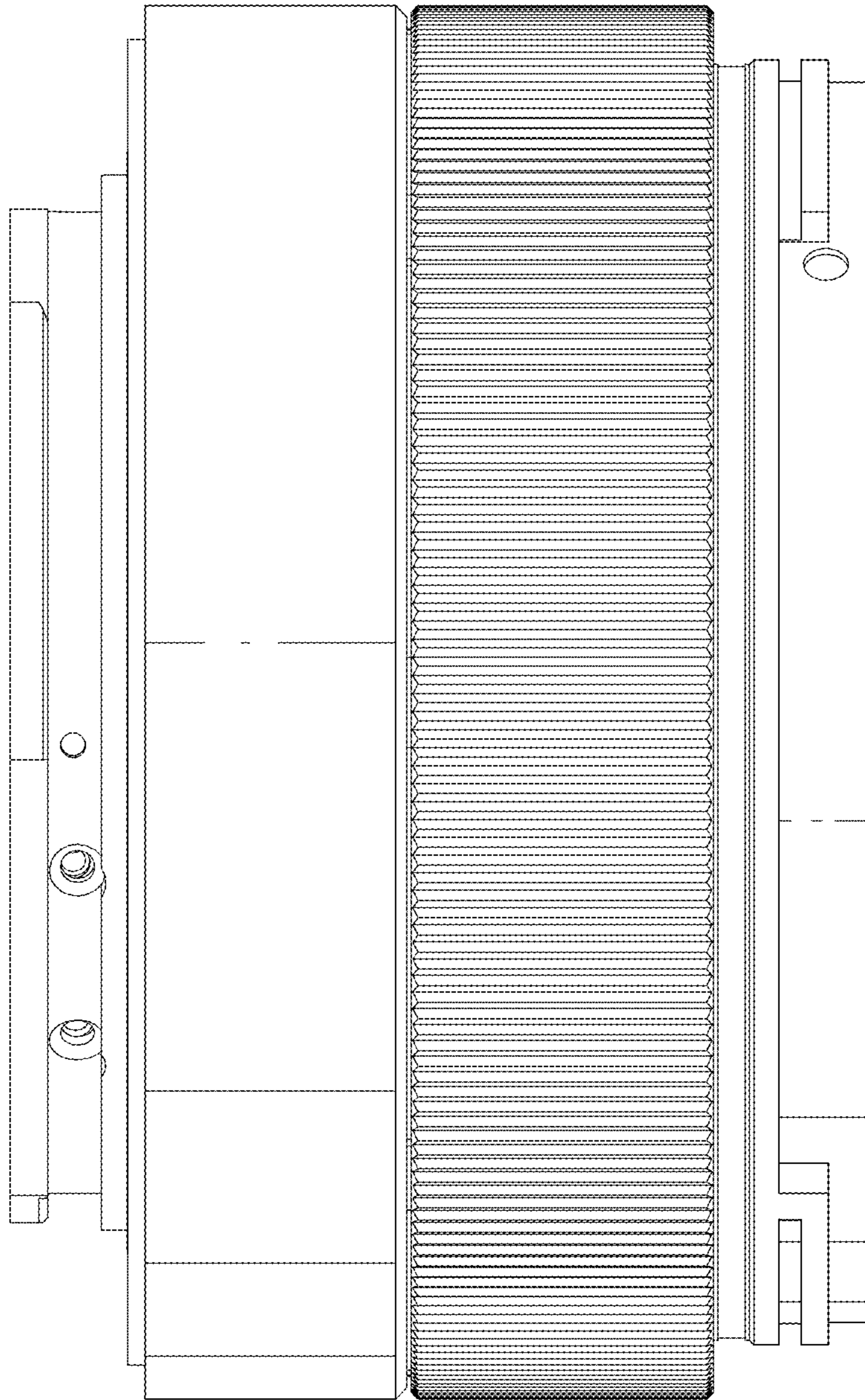


*FIG. 2*



*FIG. 3*





*FIG. 4*

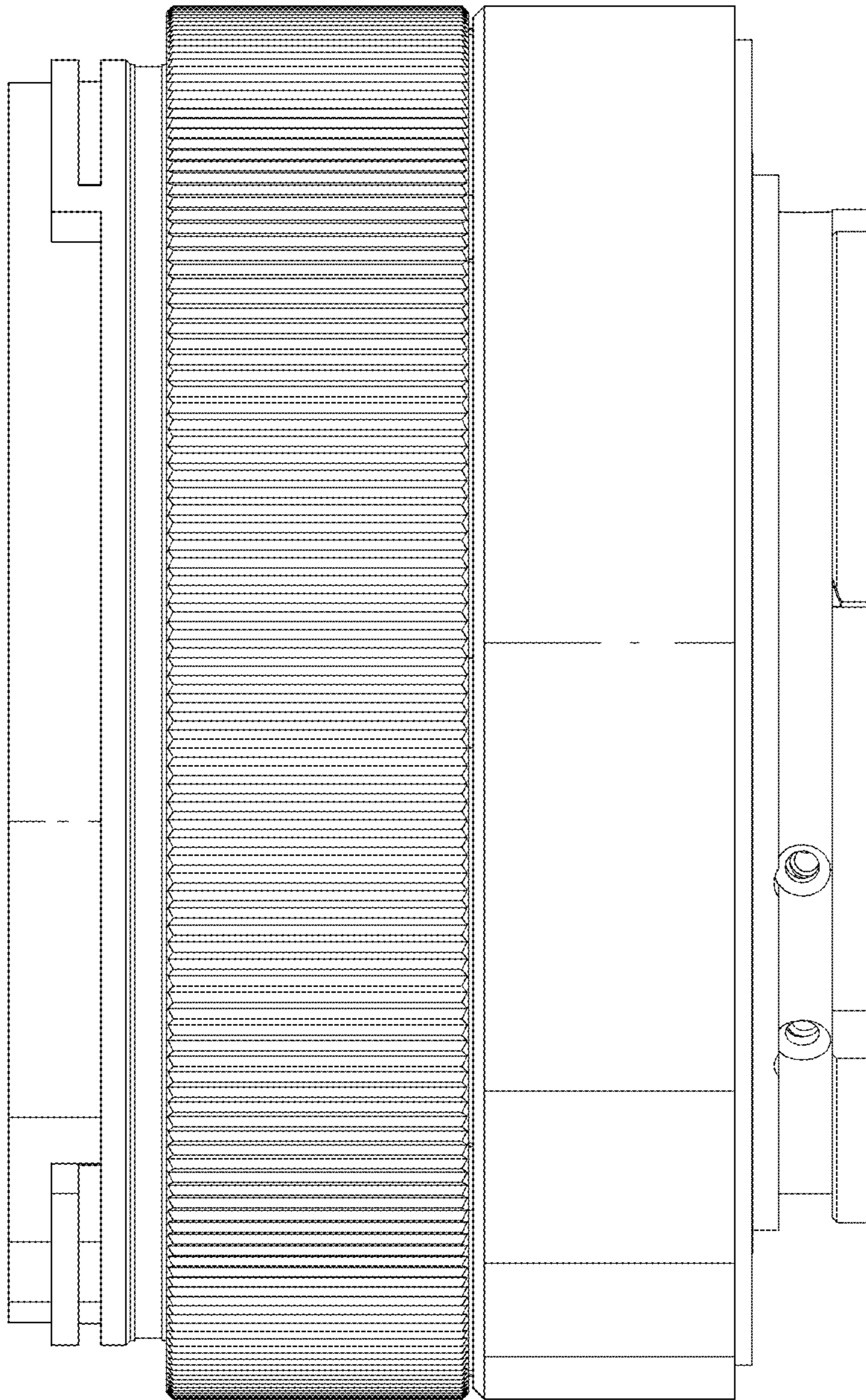
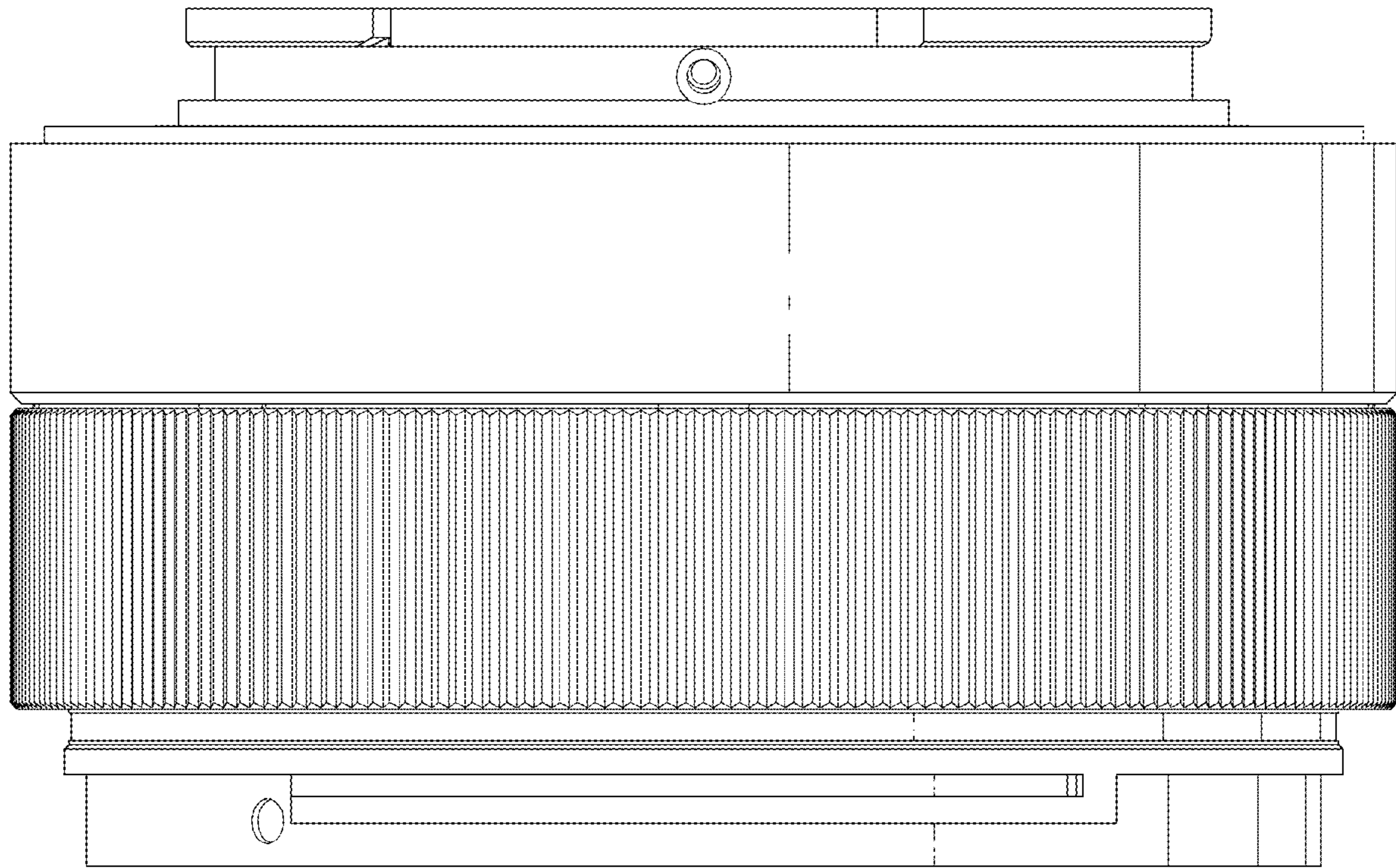
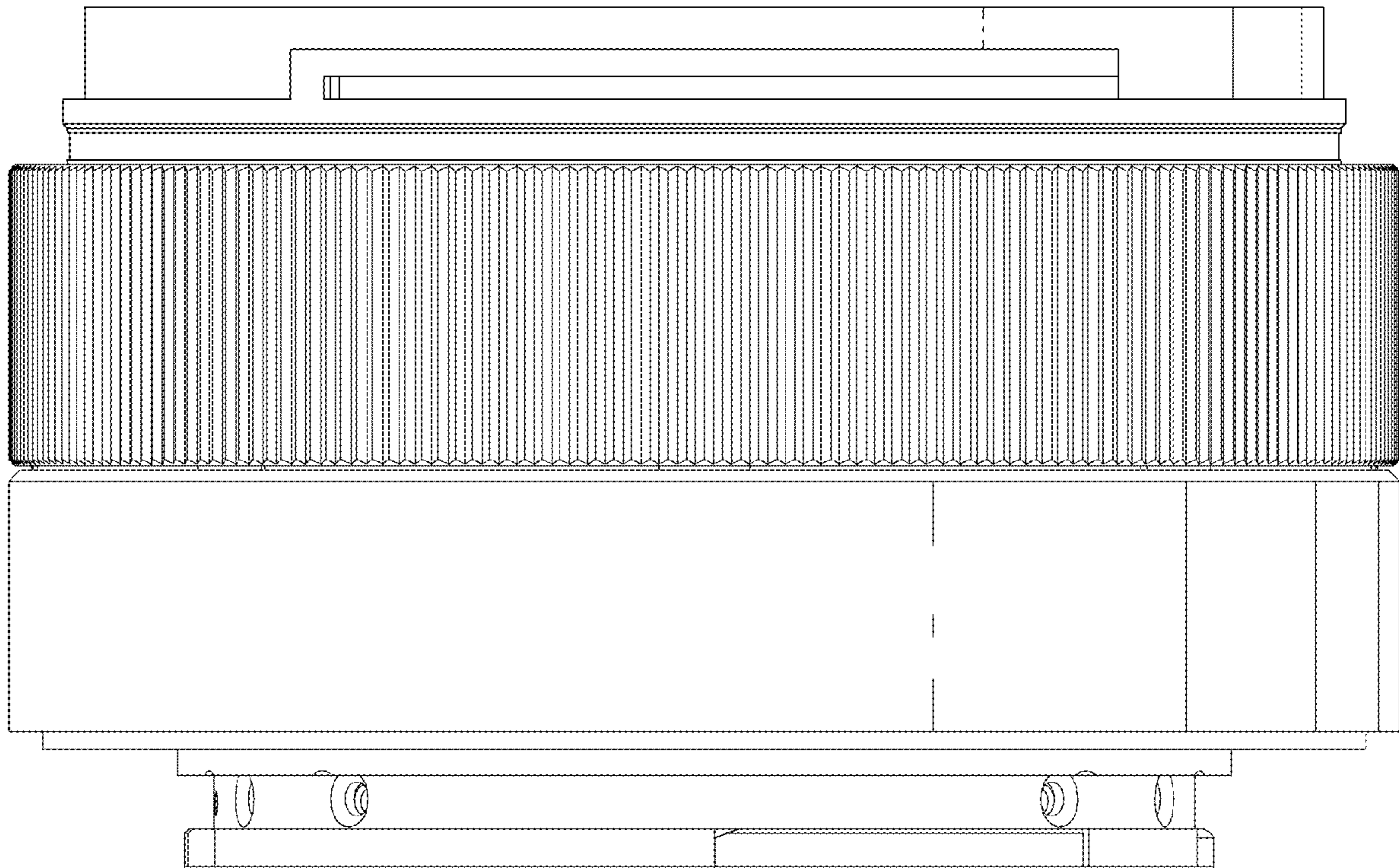


FIG. 5



*FIG. 6*





*FIG. 7*