



US00D896870S

(12) **United States Design Patent**  
**Li et al.**

(10) **Patent No.:** **US D896,870 S**

(45) **Date of Patent:** **\*\* Sep. 22, 2020**

(54) **INTELLIGENT CAMERA**

(71) Applicant: **BEIJING XIAOMI MOBILE SOFTWARE CO., LTD.**, Beijing (CN)

(72) Inventors: **Ningning Li**, Beijing (CN); **Lei Zhang**, Beijing (CN); **Zheng Xing**, Beijing (CN)

(73) Assignee: **BEIJING XIAOMI MOBILE SOFTWARE CO., LTD.**, Beijing (CN)

(\*\*) Term: **15 Years**

(21) Appl. No.: **35/507,213**

(22) Filed: **Sep. 28, 2018**

(80) **Hague Agreement Data**

Int. Filing Date: **Sep. 28, 2018**

Int. Reg. No.: **DM/202142**

Int. Reg. Date: **Sep. 28, 2018**

Int. Reg. Pub. Date: **Aug. 9, 2019**

(30) **Foreign Application Priority Data**

Apr. 8, 2018 (CN) ..... 2018 3 0137526

(51) **LOC (12) Cl.** ..... **16-01**

(52) **U.S. Cl.**  
USPC ..... **D16/203; D16/200**

(58) **Field of Classification Search**  
USPC ..... D16/200–204, 208, 218, 219  
CPC ..... G03B 15/03; G03B 17/02; G03B 17/04;  
G03B 17/48; G03B 17/56  
See application file for complete search history.

(56) **References Cited**

**U.S. PATENT DOCUMENTS**

D627,815 S \* 11/2010 Oba ..... D16/202  
D649,573 S \* 11/2011 Al ..... D16/202

D740,871 S \* 10/2015 Moon ..... D16/203  
D746,889 S \* 1/2016 Moon ..... D16/203  
D785,693 S \* 5/2017 Kim ..... D16/202  
D798,360 S \* 9/2017 Jeong ..... D16/203  
D801,406 S \* 10/2017 Jeong ..... D16/203  
D804,561 S \* 12/2017 Luo ..... D16/202  
D808,454 S \* 1/2018 Seflic ..... D16/200  
D813,289 S \* 3/2018 Laffon de Mazieres .... D16/202  
D814,544 S \* 4/2018 Moon ..... D16/203  
D815,177 S \* 4/2018 Jeong ..... D16/203  
D828,426 S \* 9/2018 Li ..... D16/202  
D848,501 S \* 5/2019 Read ..... D16/202  
D849,088 S \* 5/2019 Lai ..... D16/202  
D871,483 S \* 12/2019 Chang ..... D16/203  
D874,536 S \* 2/2020 Park ..... D16/203  
D884,052 S \* 5/2020 Tang ..... D16/203

\* cited by examiner

*Primary Examiner* — Holly E Thurman

(74) *Attorney, Agent, or Firm* — Dickinson Wright PLLC

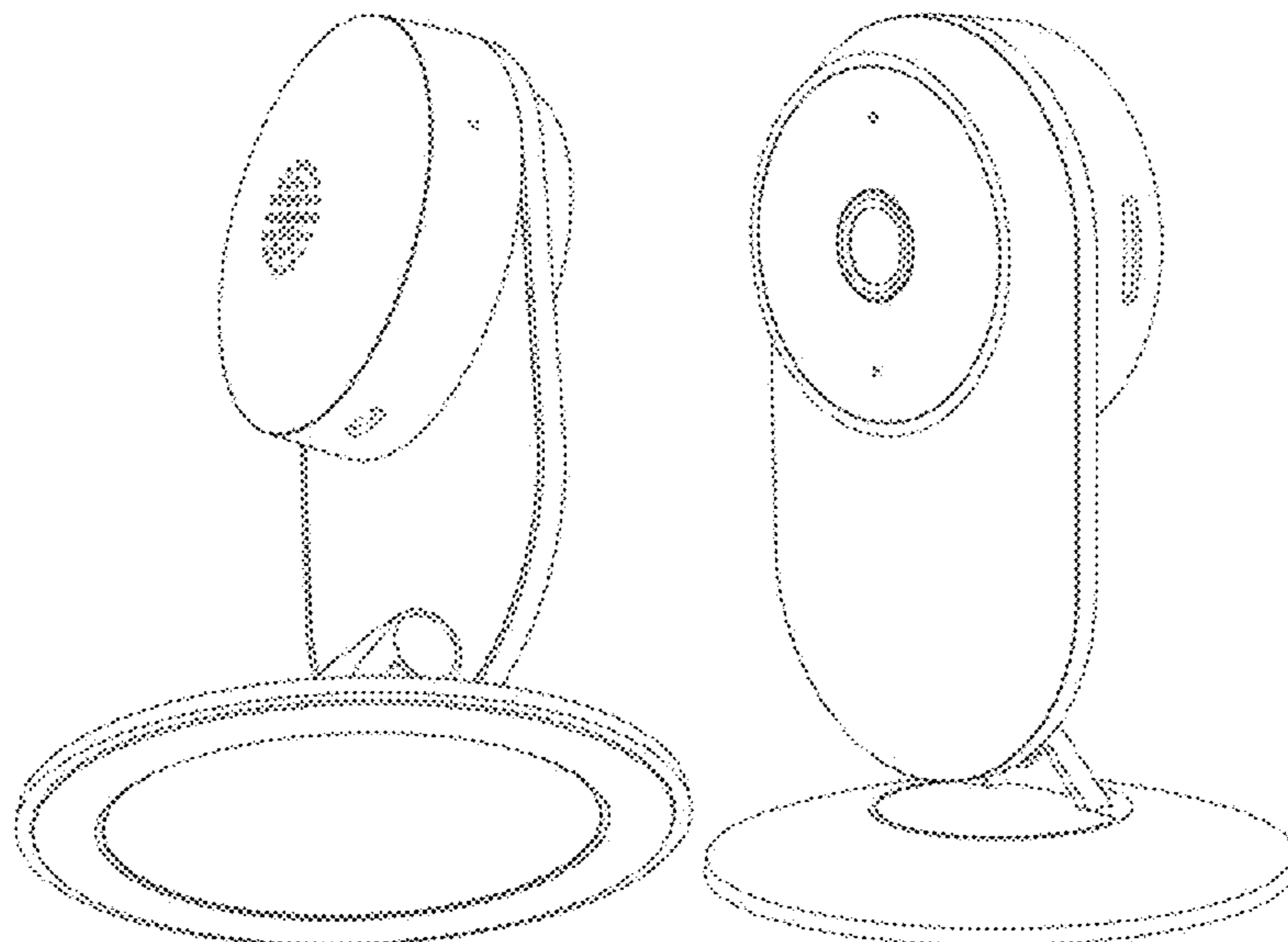
(57) **CLAIM**

The ornamental design for an intelligent camera, as shown and described.

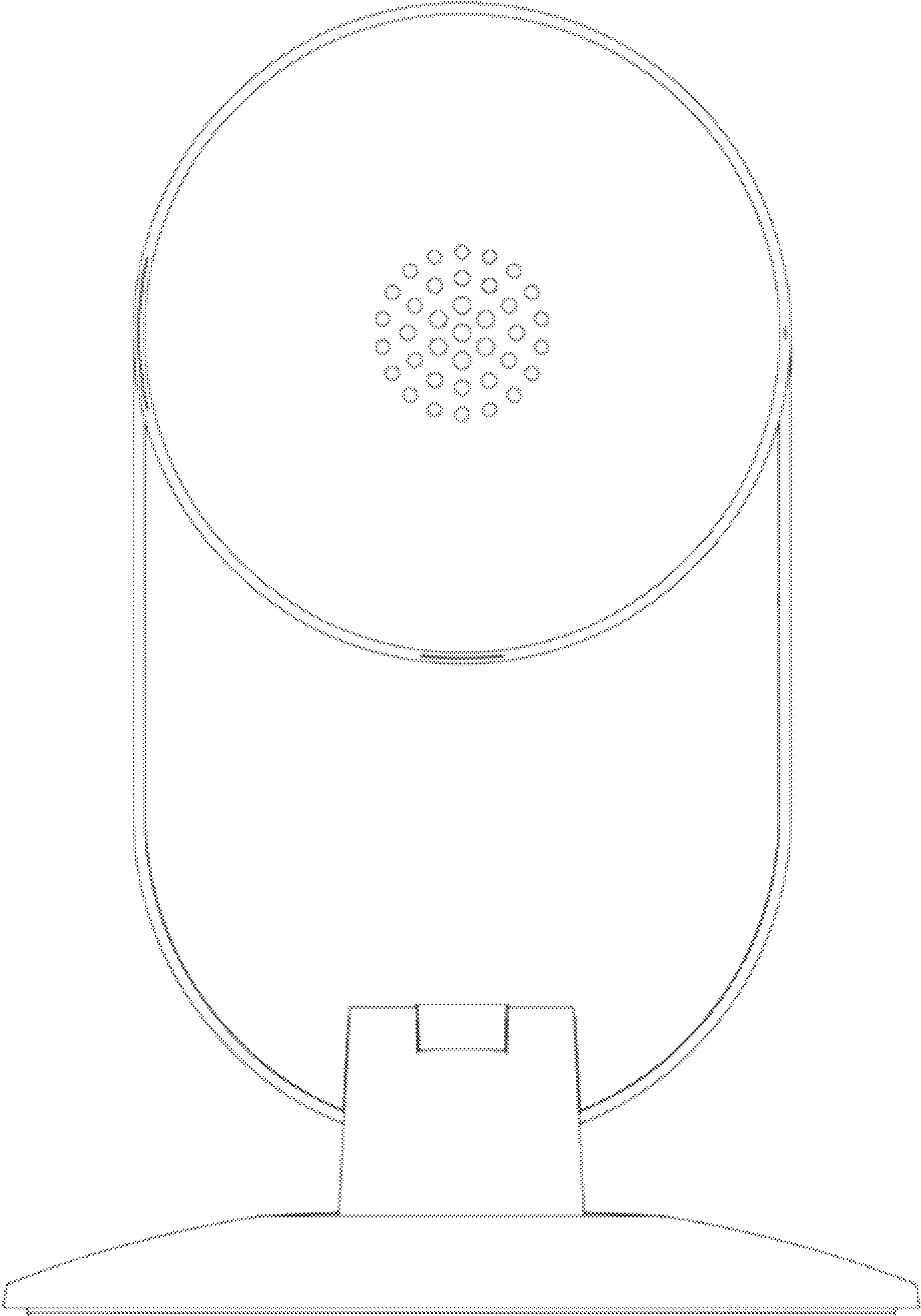
**DESCRIPTION**

1. Intelligent camera  
Figure 1.1 is a front elevation view of the intelligent camera showing our new design;  
Figure 1.2 is a back elevation view thereof;  
Figure 1.3 is a left side view thereof;  
Figure 1.4 is a right side view thereof;  
Figure 1.5 is a top plan view thereof;  
Figure 1.6 is a perspective view thereof; and  
Figure 1.7 is another perspective view thereof.

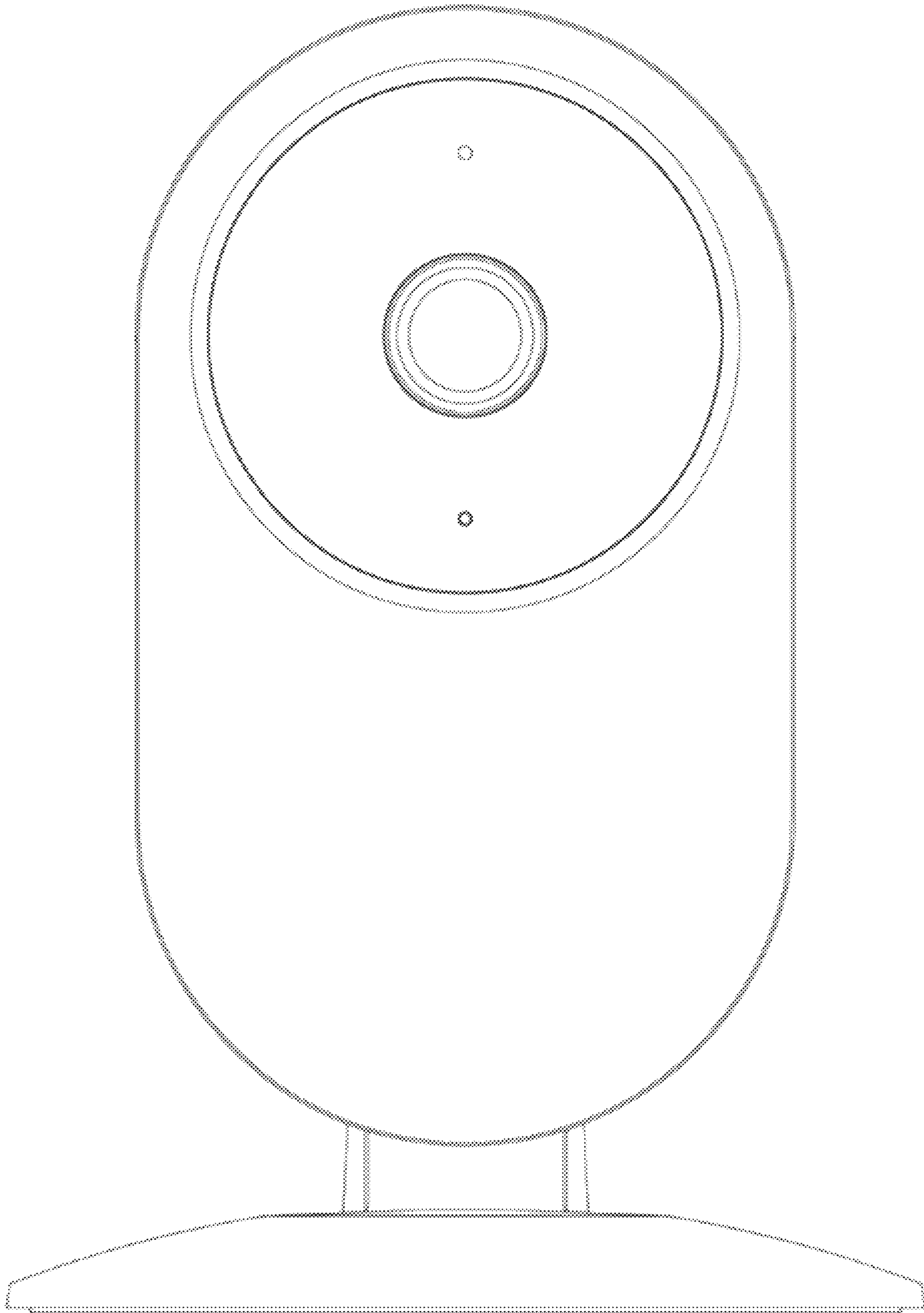
**1 Claim, 7 Drawing Sheets**



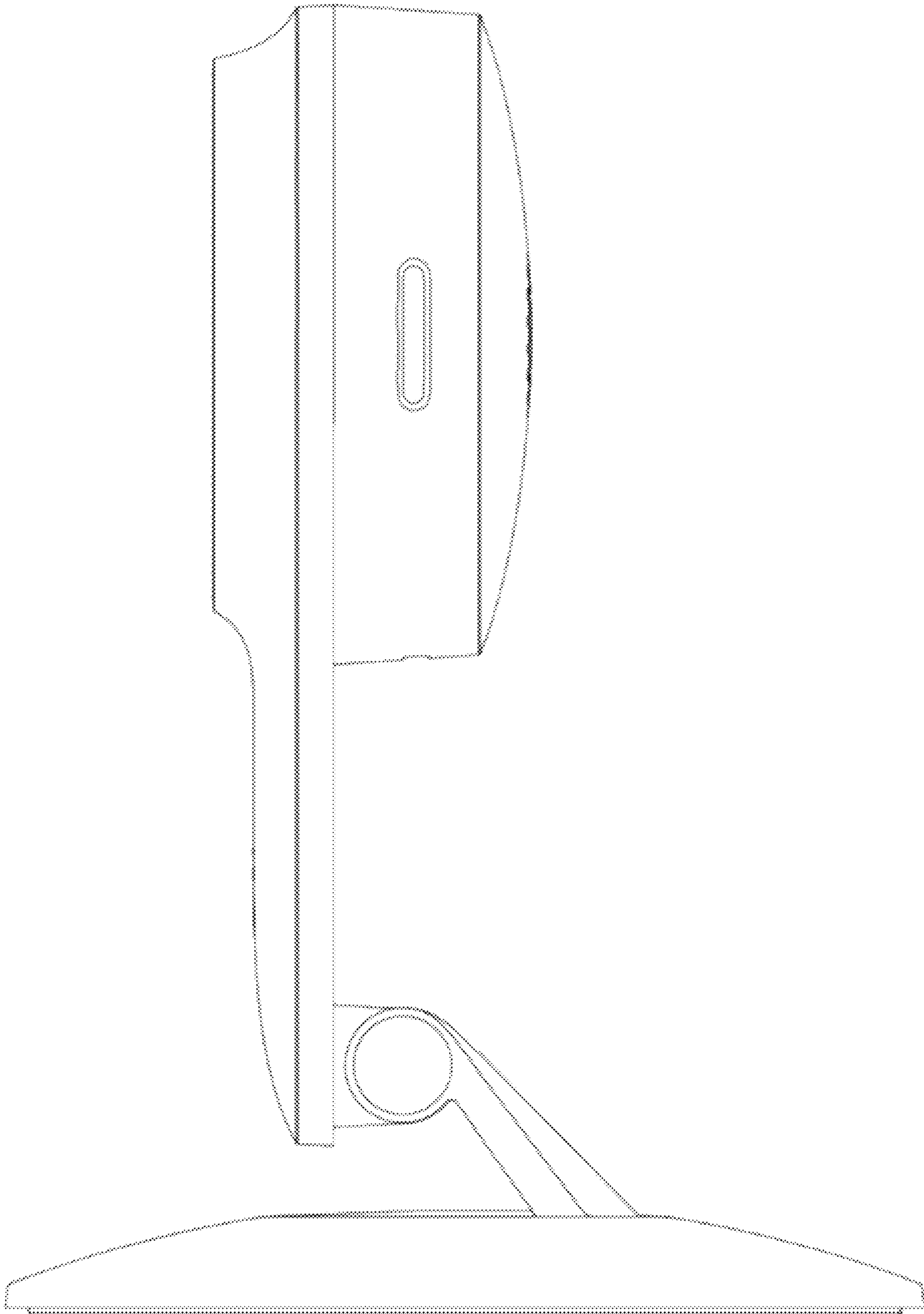
1.1



1.2

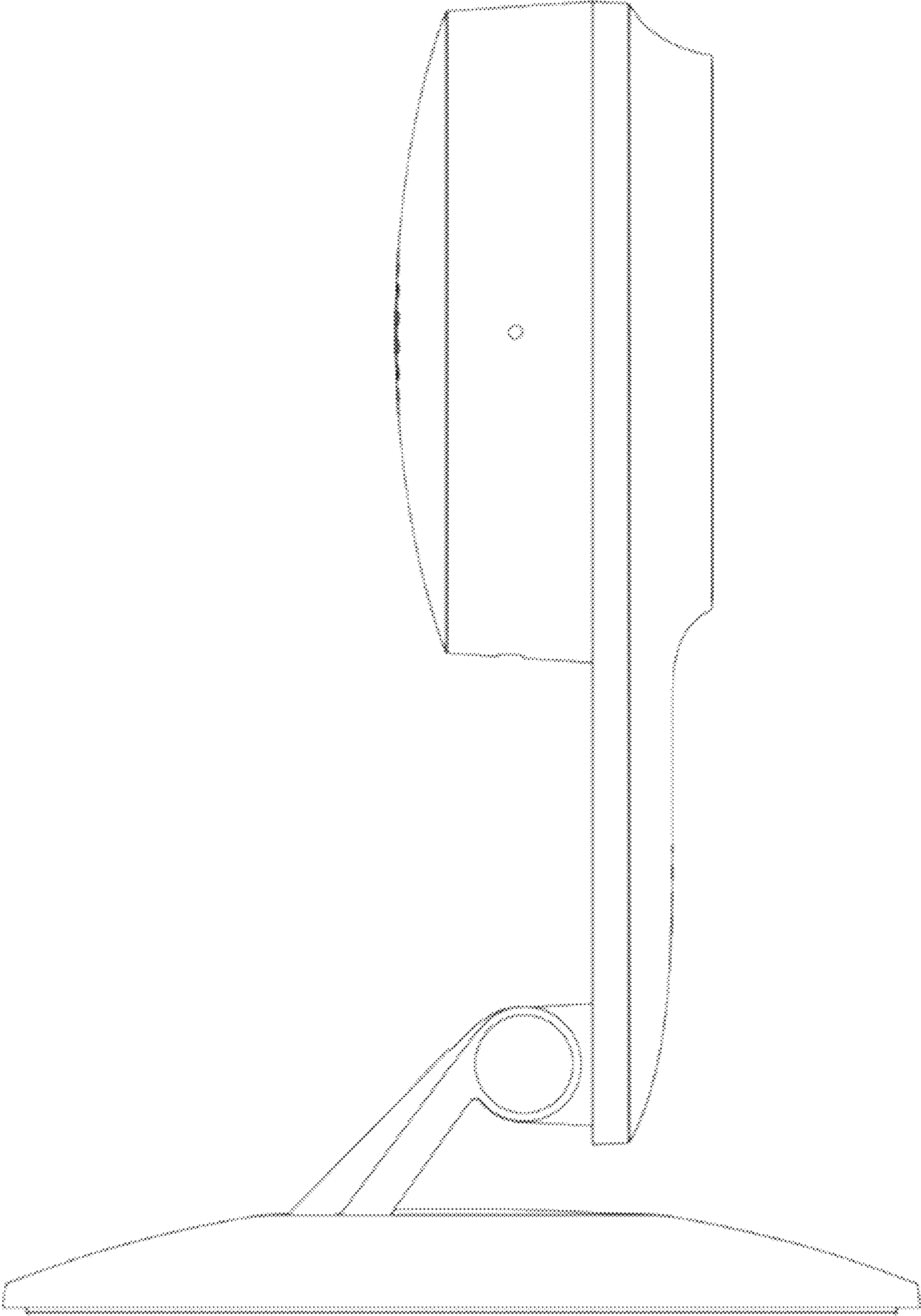


1.3

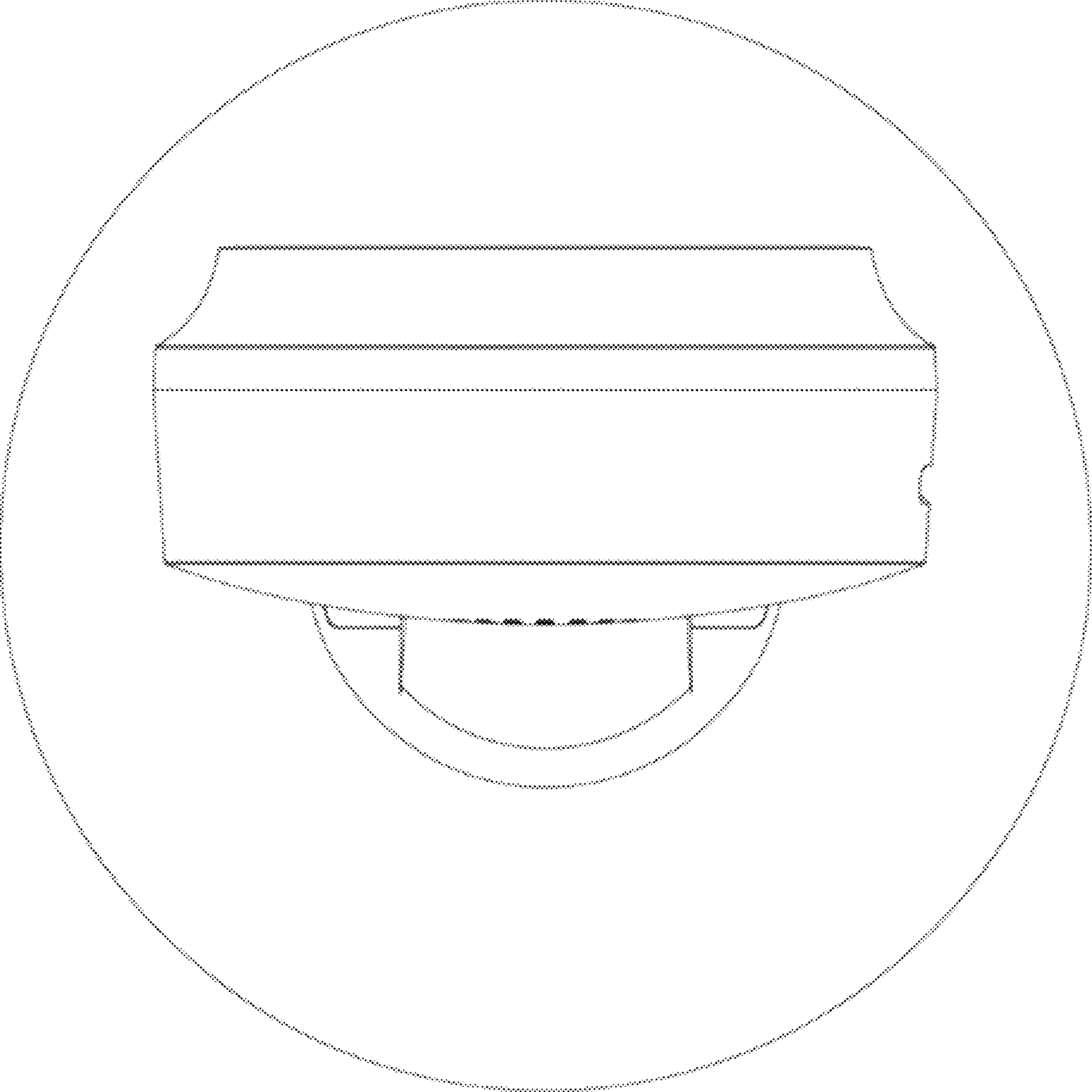




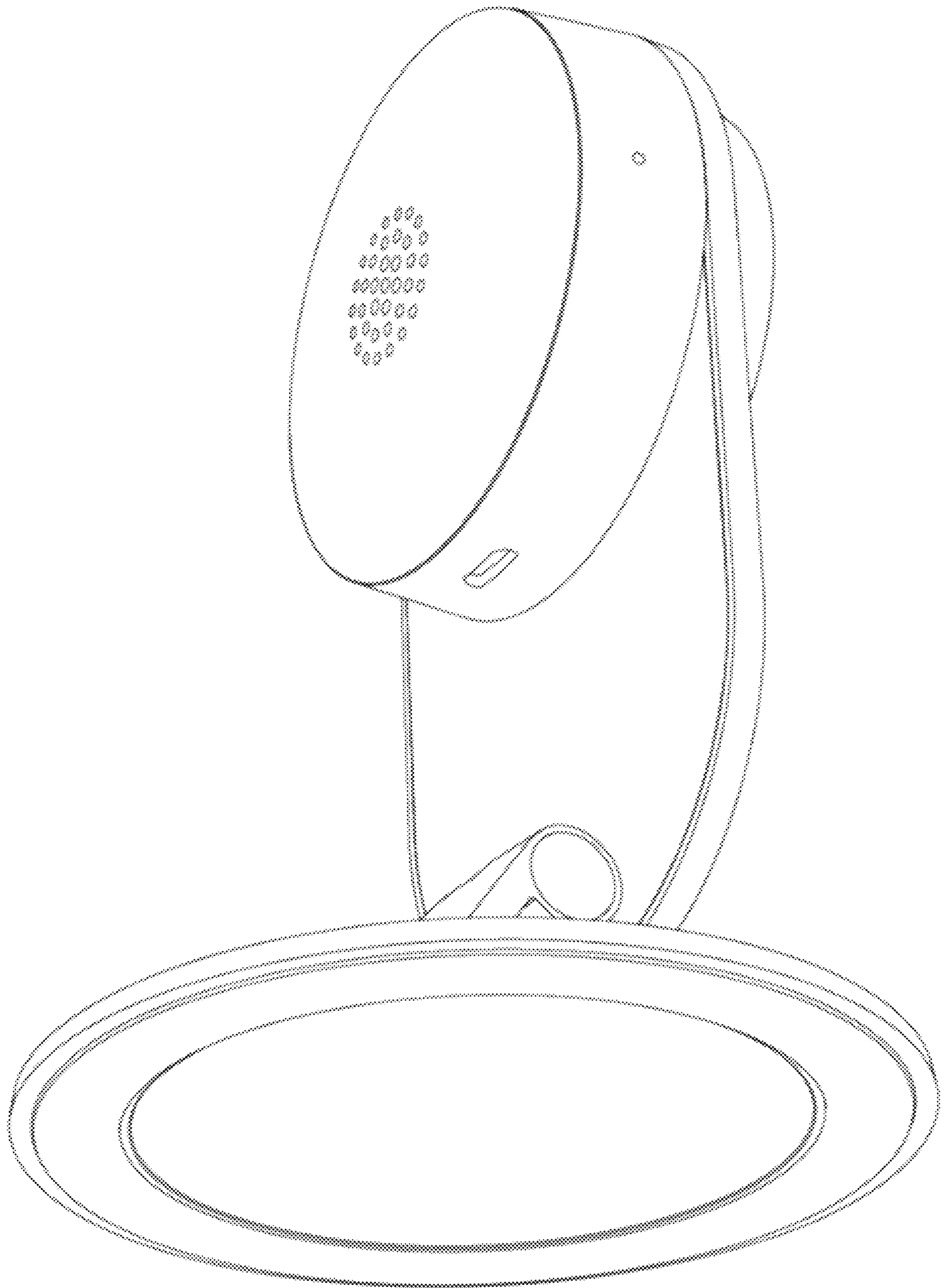
1.4



1.5



1.6



1.7

