



US00D896869S

(12) **United States Design Patent**  
**Laurino et al.**

(10) **Patent No.:** **US D896,869 S**  
(45) **Date of Patent:** **\*\* Sep. 22, 2020**

(54) **FIXED MOUNT THERMAL CAMERA**

(71) Applicant: **Fluke Corporation**, Everett, WA (US)

(72) Inventors: **Ferdinand Y. Laurino**, Seattle, WA (US); **Aaron Laho**, Big Lake, MN (US)

(73) Assignee: **Fluke Corporation**, Everett, WA (US)

(\*\*) Term: **15 Years**

(21) Appl. No.: **29/719,583**

(22) Filed: **Jan. 6, 2020**

**Related U.S. Application Data**

(62) Division of application No. 29/642,471, filed on Mar. 29, 2018, now Pat. No. Des. 875,157.

(51) **LOC (12) Cl.** ..... **16-01**

(52) **U.S. Cl.**  
USPC ..... **D16/203**

(58) **Field of Classification Search**  
USPC ..... D16/200, 202–206, 218, 219, 242;  
348/143, 148, 151, 373–376; 396/419,  
396/427, 535, 539–541  
CPC ..... G03B 17/02; G03B 19/04; G03B 17/56;  
G03B 17/04; G03B 15/03; H04N 5/2251;  
H04N 5/2252; H04N 5/2253; H04N  
5/2254; H04N 7/181; H04N 7/183; H04N  
7/18; G08B 13/1963; G08B 13/19619;  
G08B 13/19632; F16M 11/04; F16M  
13/00

See application file for complete search history.

(56) **References Cited**

**U.S. PATENT DOCUMENTS**

D366,271 S 1/1996 Hasegawa  
D446,801 S 8/2001 Adachi et al.  
6,683,654 B1 1/2004 Haijima  
D524,347 S 7/2006 Takahashi  
D529,063 S 9/2006 Cheng

7,221,402 B2 5/2007 Cheng  
D563,450 S 3/2008 Cheng  
D612,408 S 3/2010 Yamakawa  
D613,784 S 4/2010 Wang et al.  
D633,543 S 3/2011 Park  
D732,100 S 6/2015 Jeong et al.  
D739,888 S 9/2015 Liang  
D742,953 S \* 11/2015 Li ..... D16/202  
D744,022 S 11/2015 Petty et al.  
D752,128 S \* 3/2016 Mohan ..... D16/237  
D777,818 S \* 1/2017 Bingleman ..... D16/203  
D792,919 S \* 7/2017 Ryu ..... D16/218  
D827,013 S \* 8/2018 Ahman ..... D16/203  
D833,502 S \* 11/2018 Asakawa ..... D16/203  
D849,085 S \* 5/2019 Fuller ..... D16/202  
D858,610 S \* 9/2019 Fang ..... D16/218  
D871,484 S \* 12/2019 Wang ..... D16/203  
D874,534 S \* 2/2020 Matsuo ..... D16/203

\* cited by examiner

*Primary Examiner* — Ramzi S Almatrahi

(74) *Attorney, Agent, or Firm* — Seed Intellectual Property Law Group LLP

(57) **CLAIM**

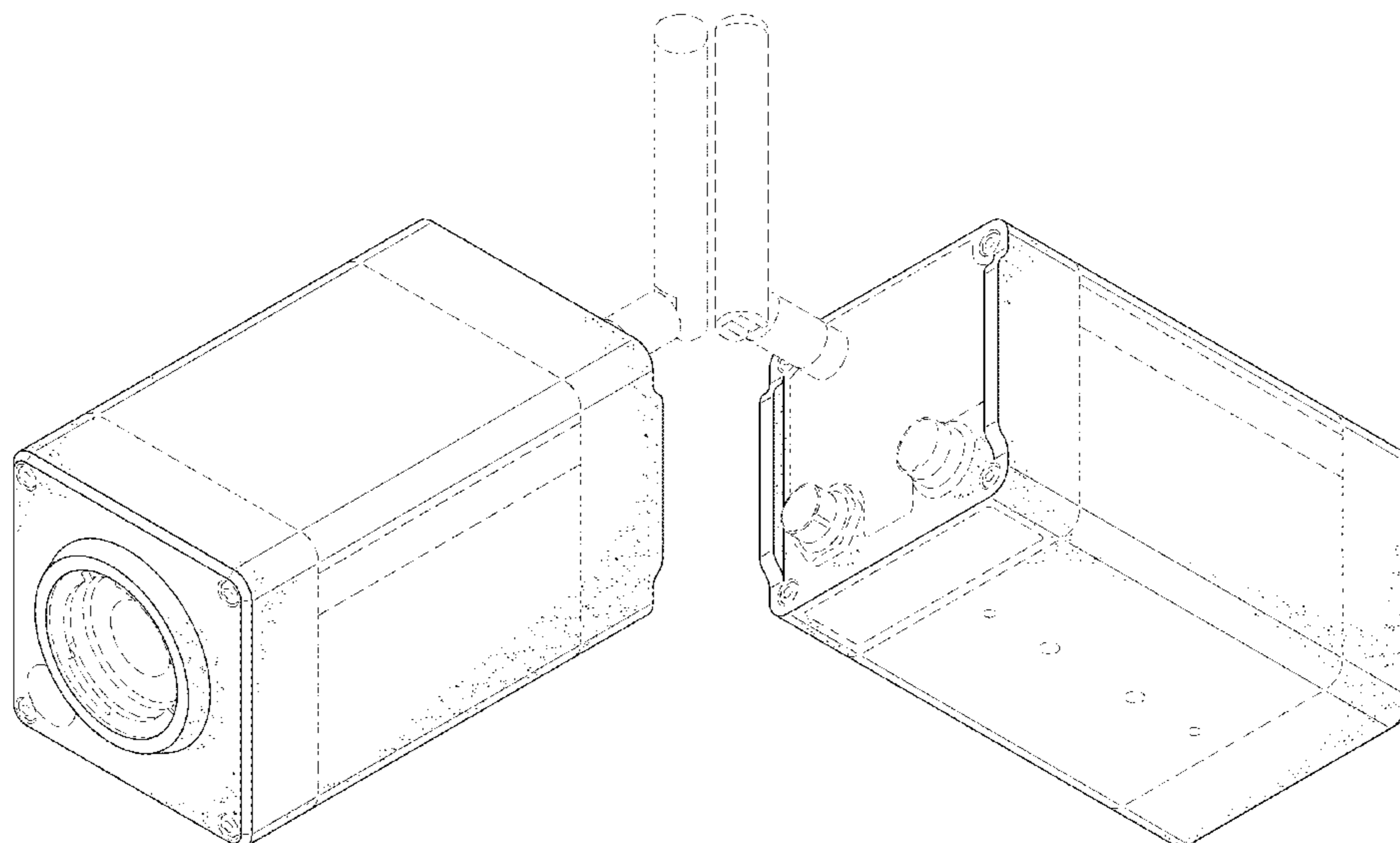
The ornamental design for a fixed mount thermal camera, as shown and described.

**DESCRIPTION**

FIG. 1 is a top, front, right perspective view of a fixed mount thermal camera showing our new design.  
FIG. 2 is a bottom, rear left perspective view thereof.  
FIG. 3 is a front elevation view thereof.  
FIG. 4 is a right side elevation view thereof.  
FIG. 5 is a top plan view thereof.  
FIG. 6 is a left side elevation view thereof.  
FIG. 7 is a rear elevation view thereof; and,  
FIG. 8 is a bottom plan view thereof.

The broken lines illustrate portions of the fixed mount thermal camera in which the design is embodied that form no part of the claimed design.

**1 Claim, 8 Drawing Sheets**



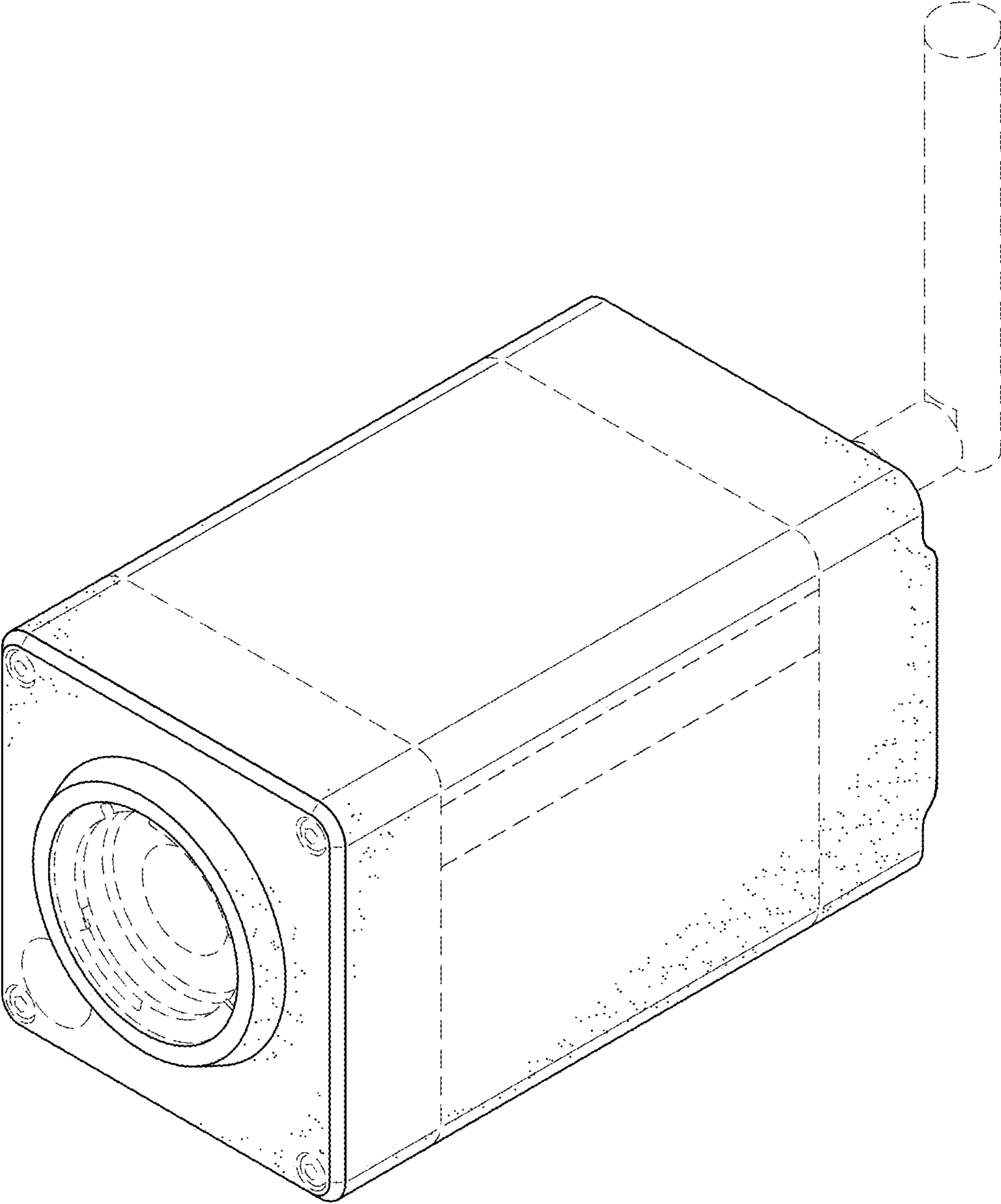


FIG. 1

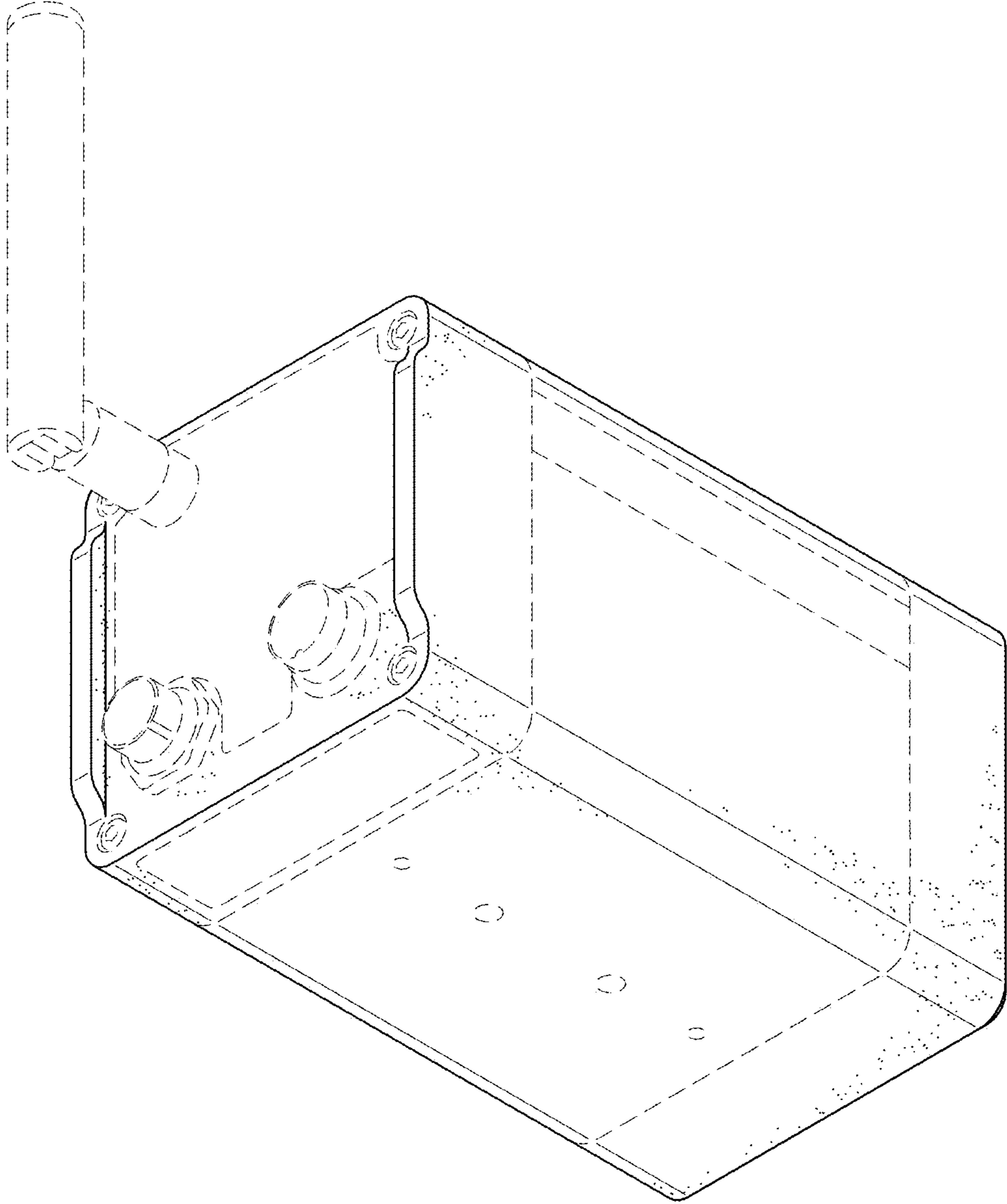


FIG. 2

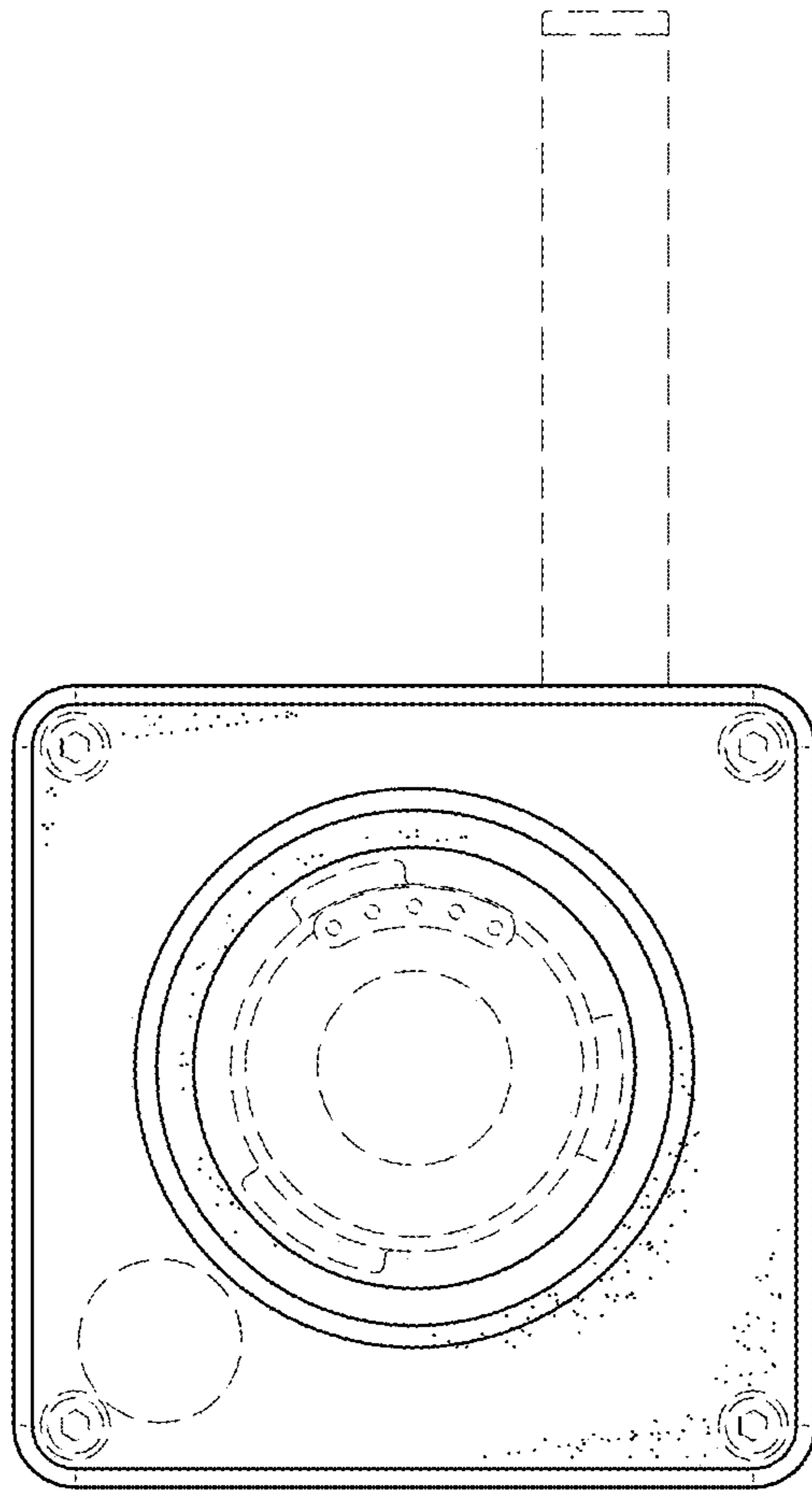


FIG. 3

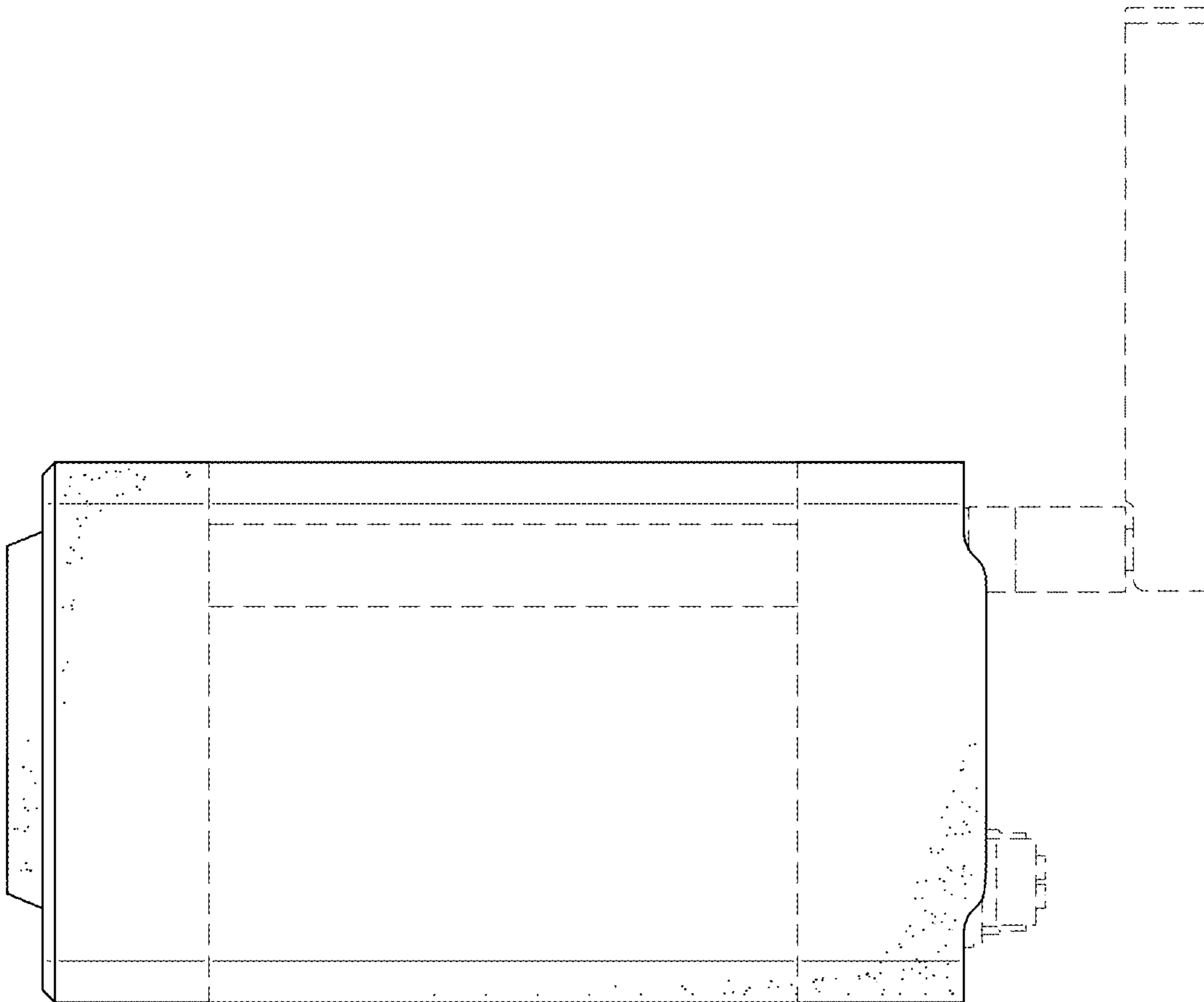


FIG. 4

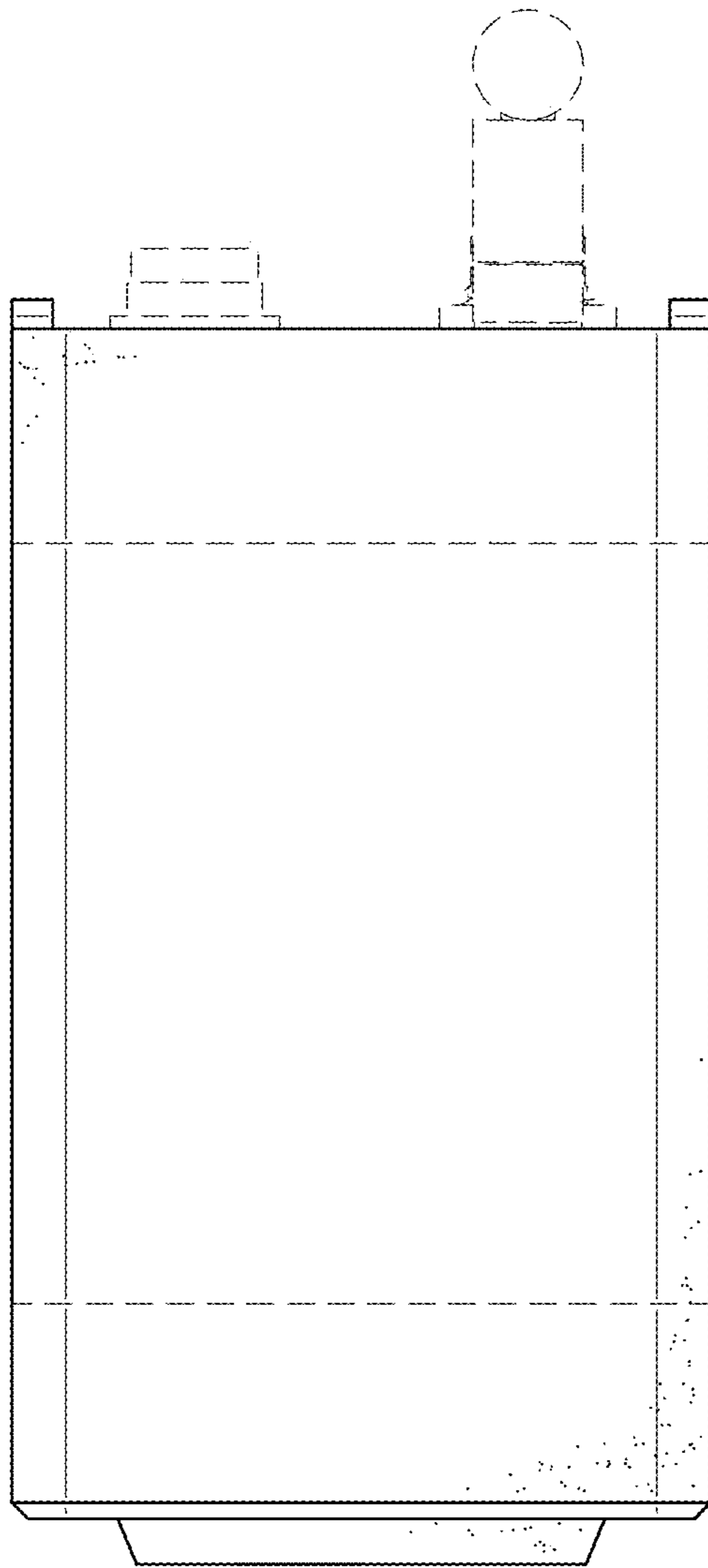


FIG. 5

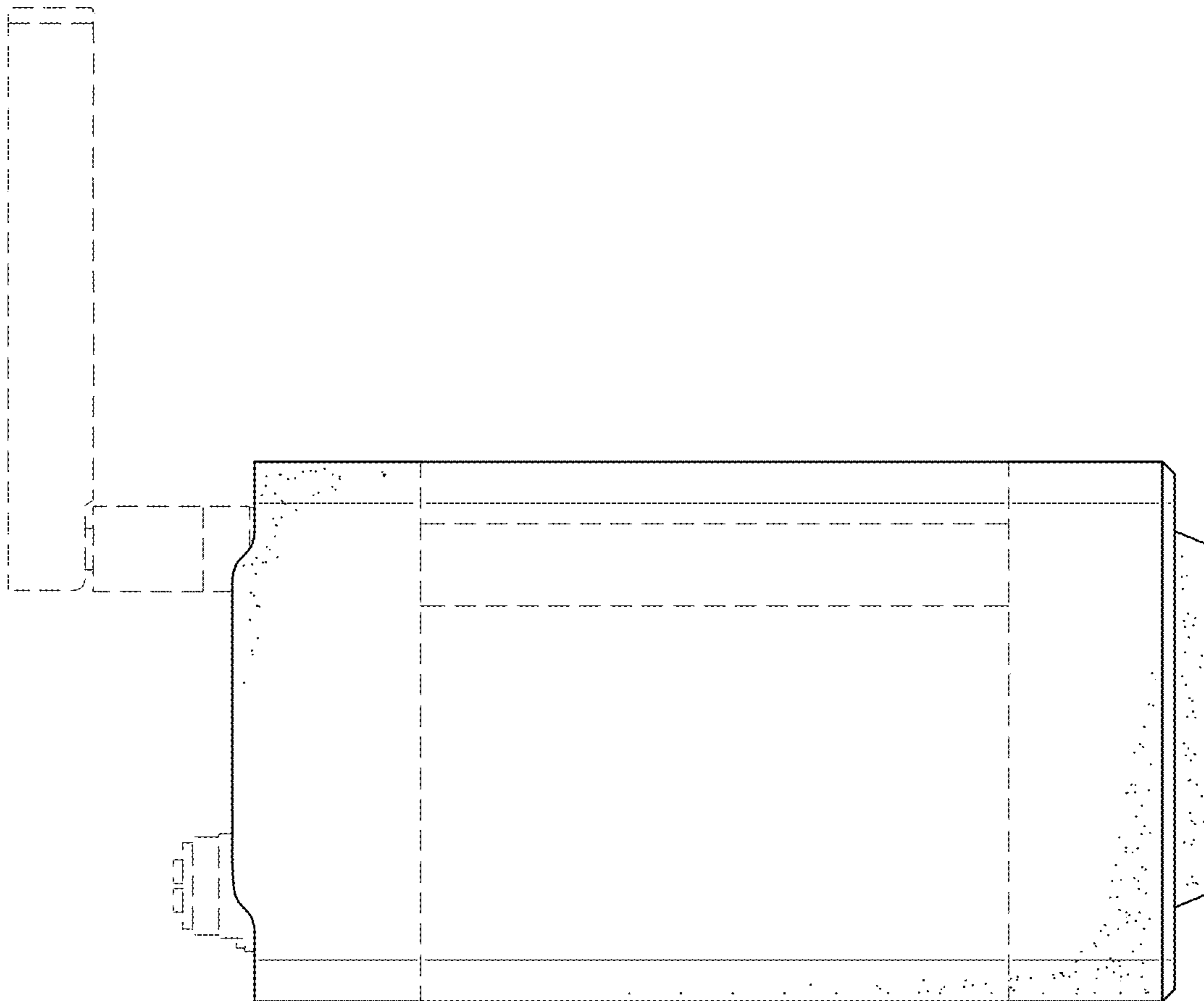


FIG. 6



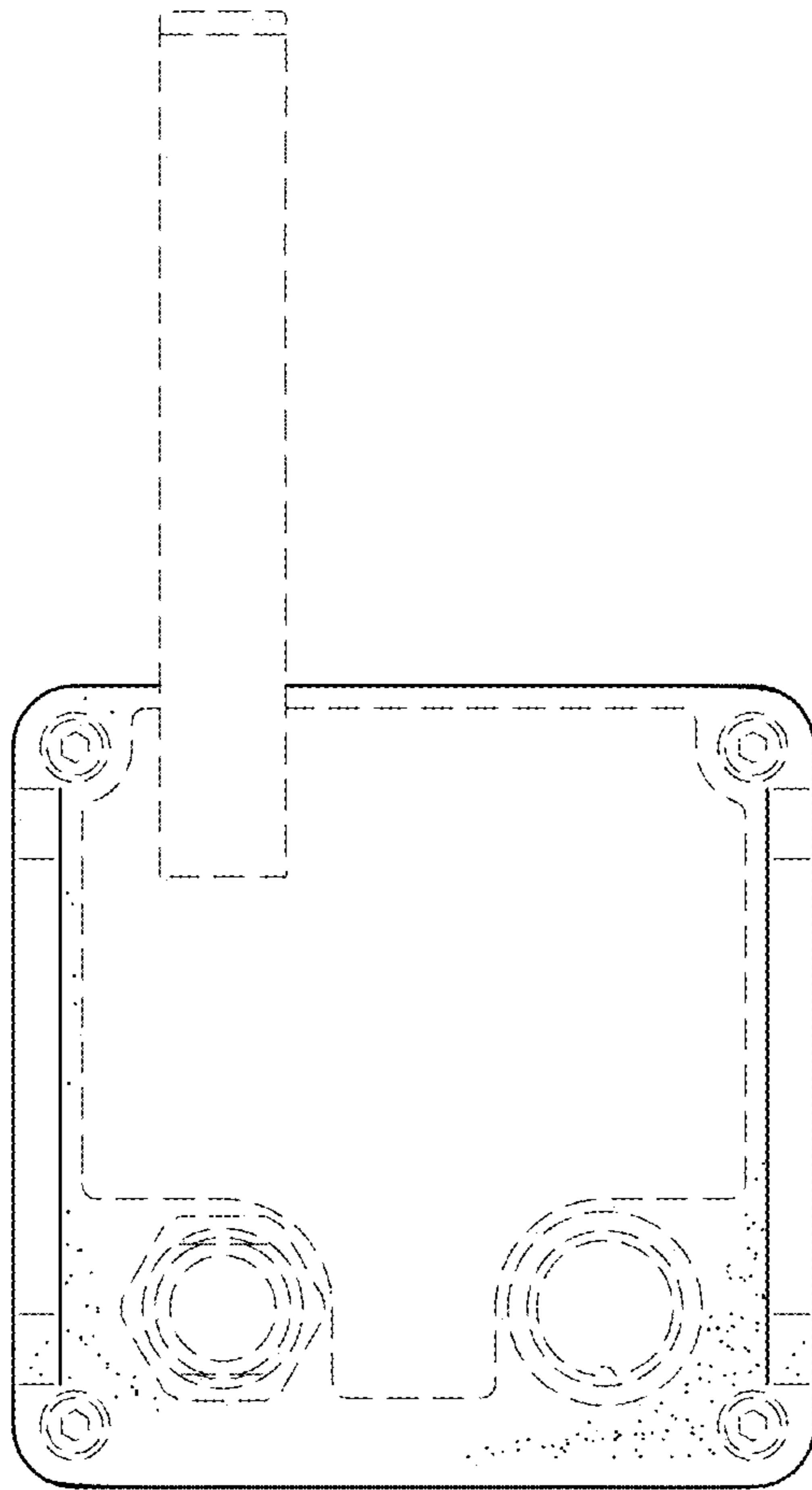


FIG. 7



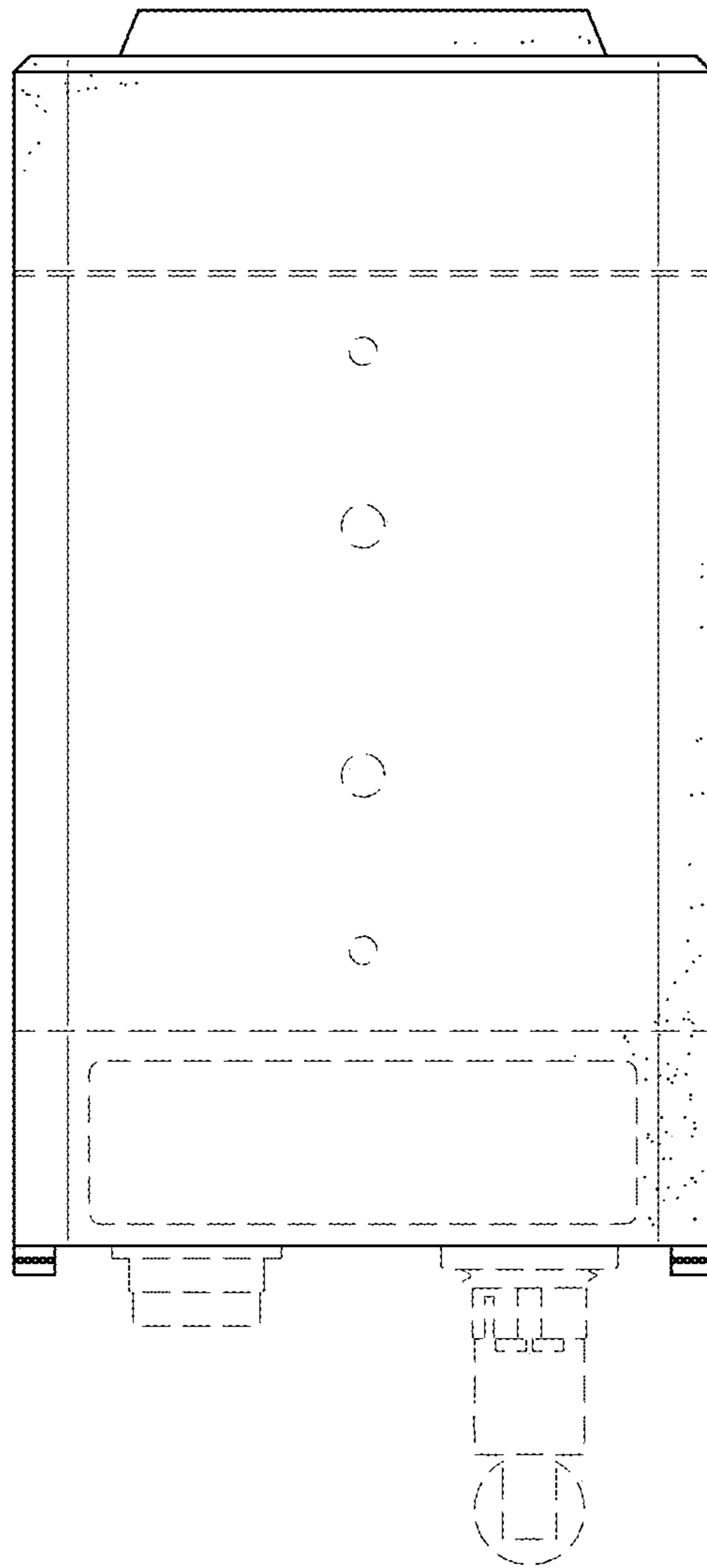


FIG. 8