



US00D896867S

(12) **United States Design Patent** (10) **Patent No.:** **US D896,867 S**  
**Vozzi et al.** (45) **Date of Patent:** **\*\* Sep. 22, 2020**

(54) **ACCESSORY FOR A MONITORING CAMERA**

(71) Applicant: **AXIS AB**, Lund (SE)

(72) Inventors: **Mariano Vozzi**, Lund (SE); **Mathias Walter**, Lund (SE); **Sebastian Engwall**, Lund (SE); **Jonas Sjogren**, Lund (SE); **Felix Carlsson**, Lund (SE)

(73) Assignee: **AXIS AB**, Lund (SE)

(\*\*) Term: **15 Years**

(21) Appl. No.: **29/703,274**

(22) Filed: **Aug. 26, 2019**

(30) **Foreign Application Priority Data**

Feb. 27, 2019 (EM) ..... 006269262-0003  
 Feb. 27, 2019 (EM) ..... 006269262-0004  
 Feb. 27, 2019 (EM) ..... 006269262-0005  
 Feb. 27, 2019 (EM) ..... 006269262-0006

(51) **LOC (12) Cl.** ..... **16-01**

(52) **U.S. Cl.**  
USPC ..... **D16/203**

(58) **Field of Classification Search**  
 USPC ..... D16/200, 202–208, 218, 219, 242;  
 348/143, 148, 151, 164, 373–376;  
 396/419, 427, 535, 539–541  
 CPC ..... G03B 17/02; G03B 19/04; G03B 17/56;  
 G03B 17/04; G03B 15/03; H04N 5/2251;  
 H04N 5/2252; H04N 5/2253; H04N  
 5/2254; H04N 7/181; H04N 7/183; H04N  
 7/18; G08B 13/1963; G08B 13/19619;  
 G08B 13/19632; F16M 11/04; F16M  
 13/00

See application file for complete search history.

(56) **References Cited**

U.S. PATENT DOCUMENTS

D527,405 S *	8/2006	Kim .....	D16/202
D544,515 S *	6/2007	Walter .....	D16/203
D609,727 S *	2/2010	Adolfsson .....	D16/200
D691,646 S *	10/2013	Bergstrom .....	D16/203
D740,872 S *	10/2015	Wada .....	D16/203
D798,358 S *	9/2017	Holbrook .....	D16/203
D798,362 S *	9/2017	Holbrook .....	D16/203
D812,670 S *	3/2018	Andersson .....	D16/203
D815,176 S *	4/2018	Ahman .....	D16/203
D826,305 S *	8/2018	Ahman .....	D16/203
D849,097 S *	5/2019	Bull .....	D16/203
D876,513 S *	2/2020	Garre .....	D16/203
D884,046 S *	5/2020	Hsu .....	D16/202

\* cited by examiner

*Primary Examiner* — Ramzi S Almatrahi

(74) *Attorney, Agent, or Firm* — Volpe and Koenig, P.C.

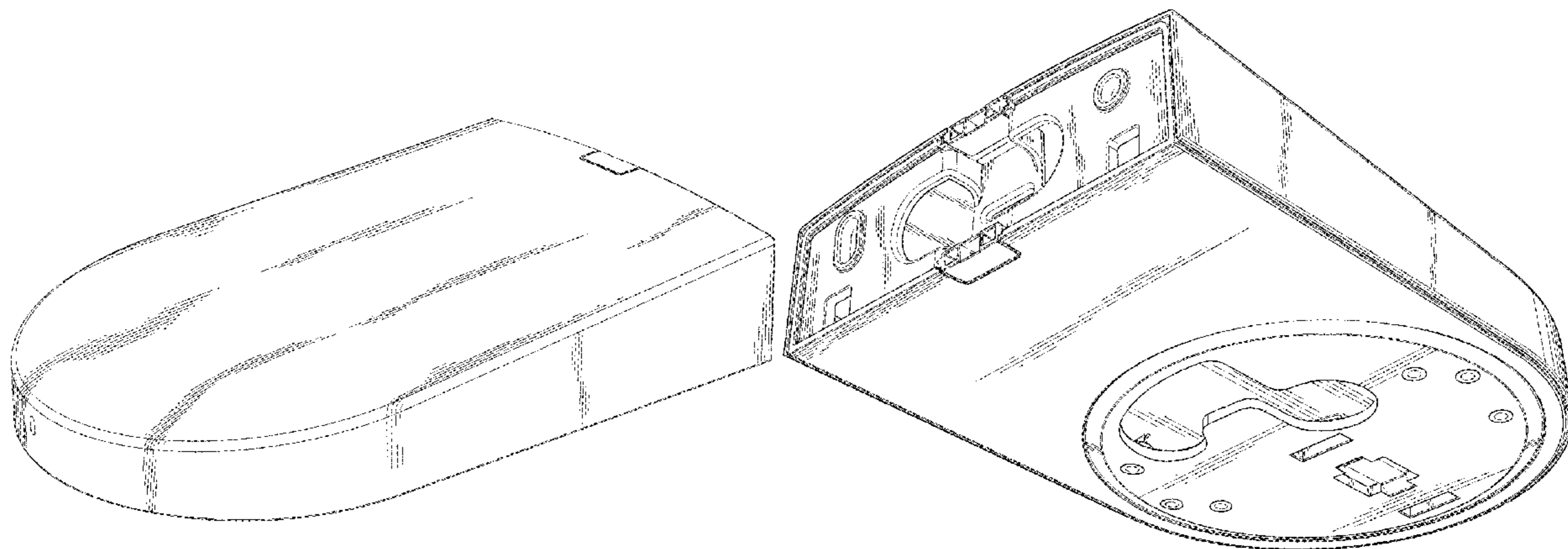
(57) **CLAIM**

The ornamental design for an accessory for a monitoring camera, as shown and described.

**DESCRIPTION**

FIG. 1 is a top, front, right perspective view of an accessory for a monitoring camera in accordance with our design; FIG. 2 is a bottom, rear, left perspective view thereof; FIG. 3 is a front elevational view thereof; FIG. 4 is a top plan view thereof; FIG. 5 is a left side elevational view thereof; FIG. 6 is a rear elevational view thereof; FIG. 7 is a bottom plan view thereof; and, FIG. 8 is a right side elevational view thereof.

**1 Claim, 5 Drawing Sheets**



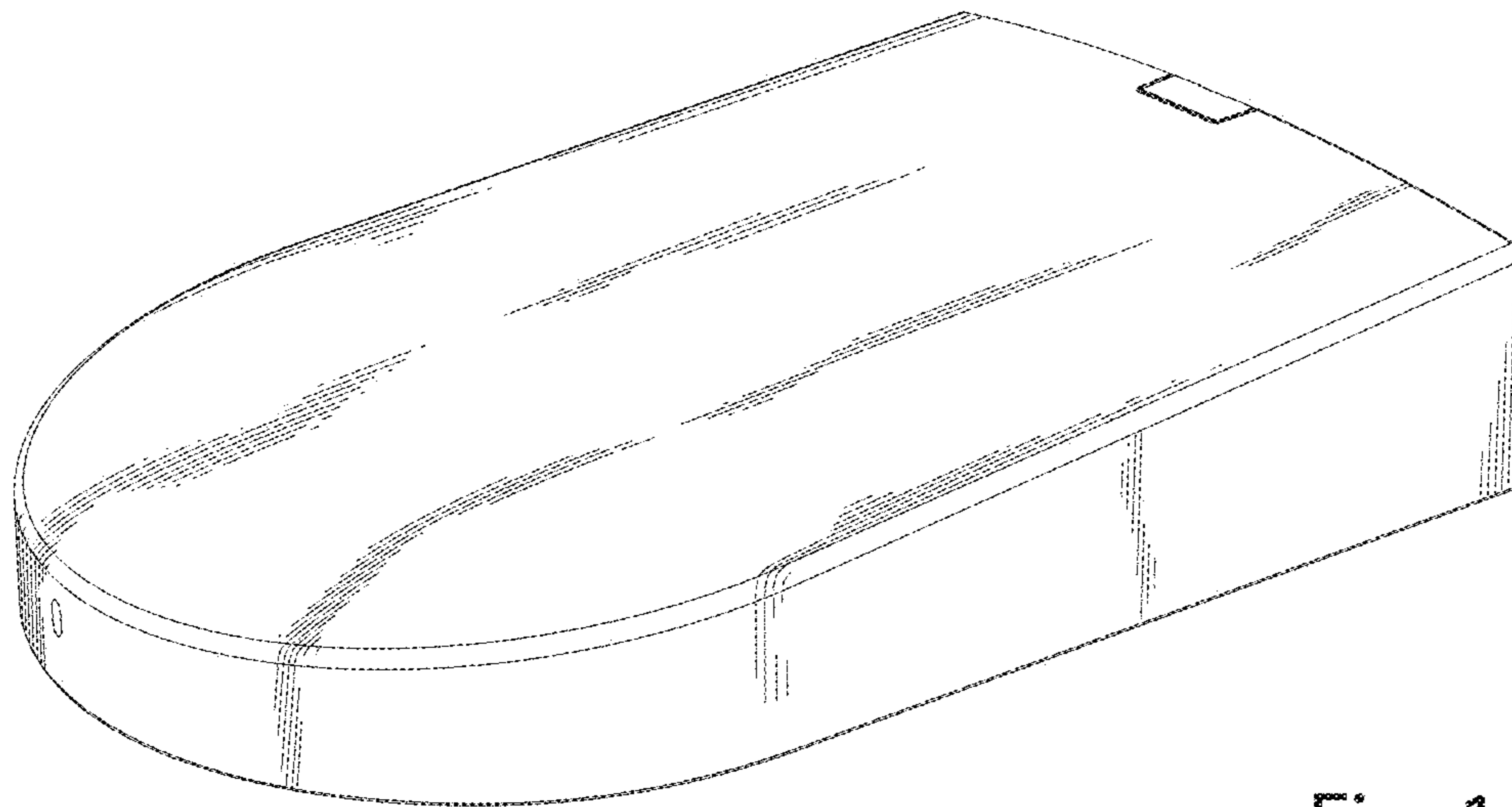


Fig. 1

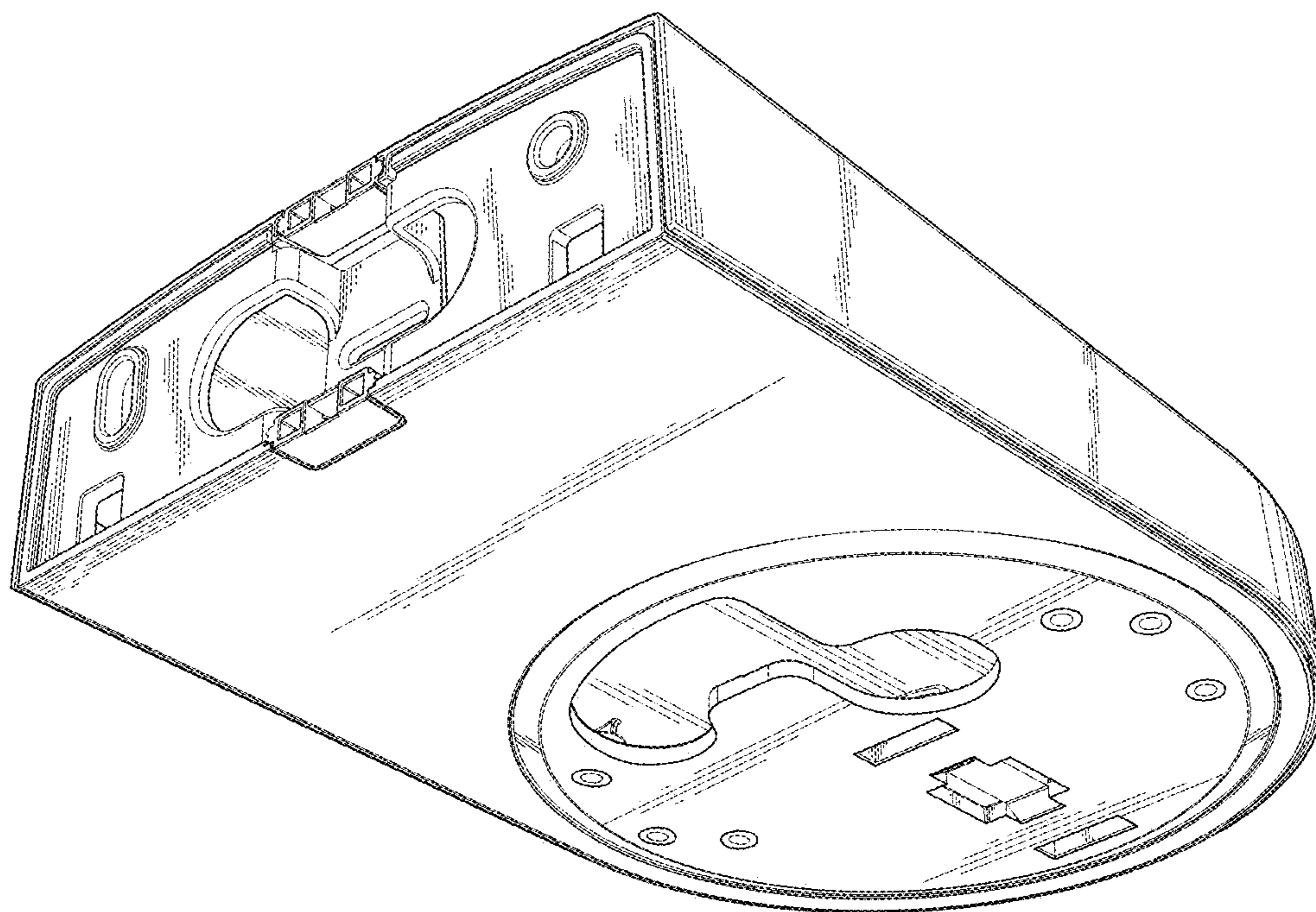


Fig. 2

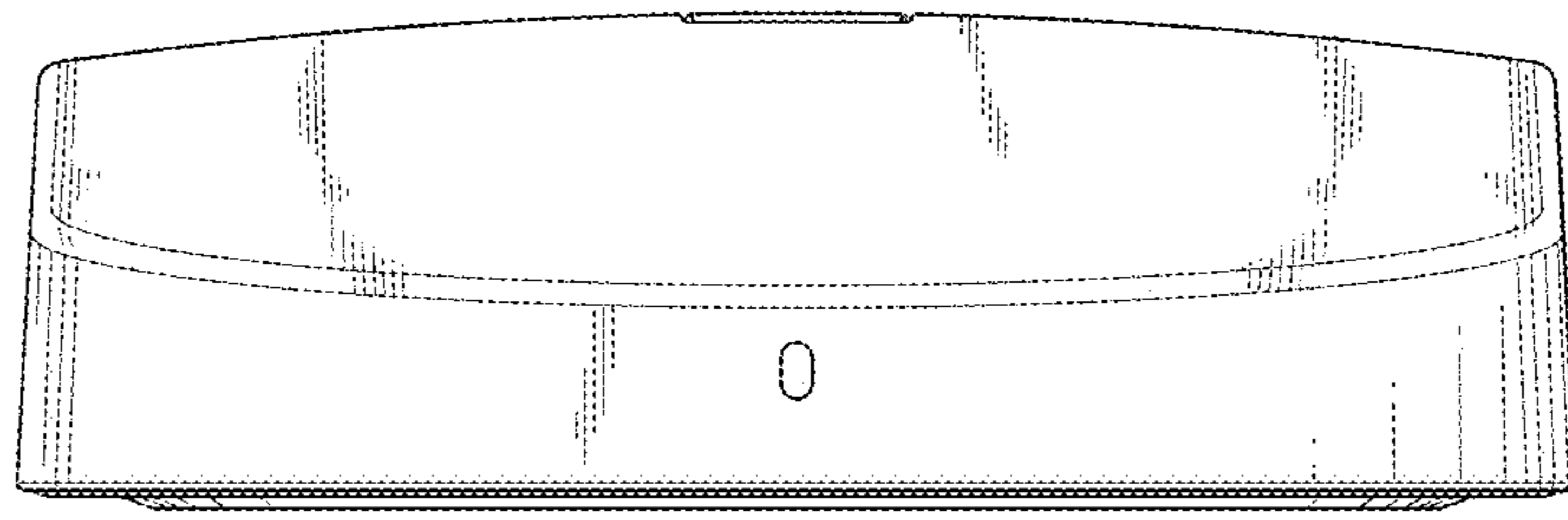


Fig. 3

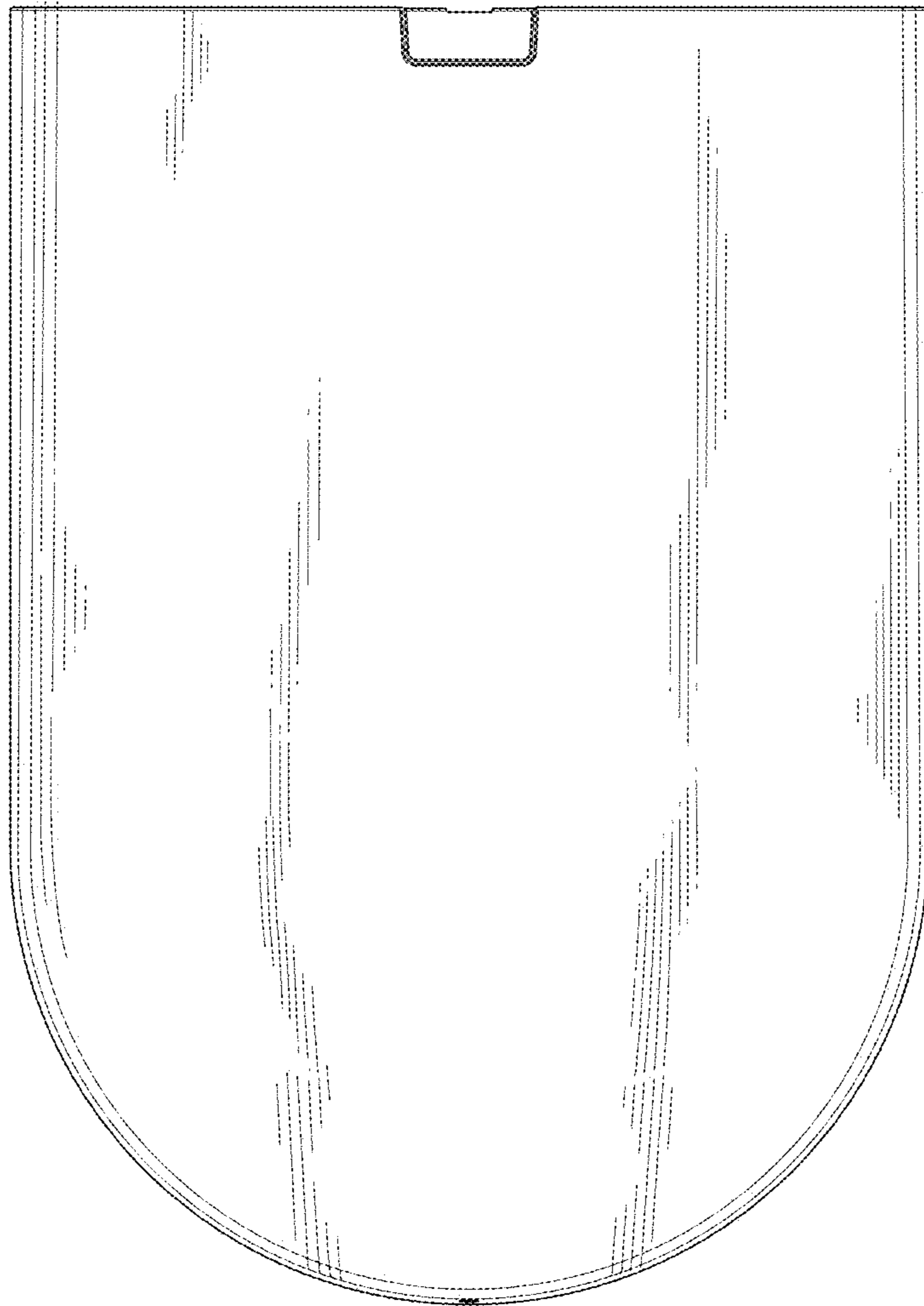


Fig. 4

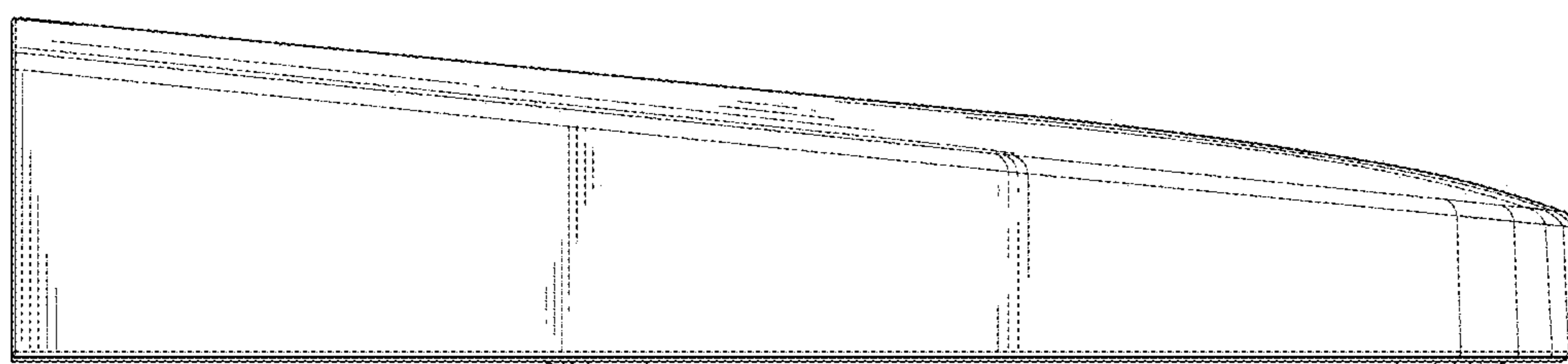


Fig. 5

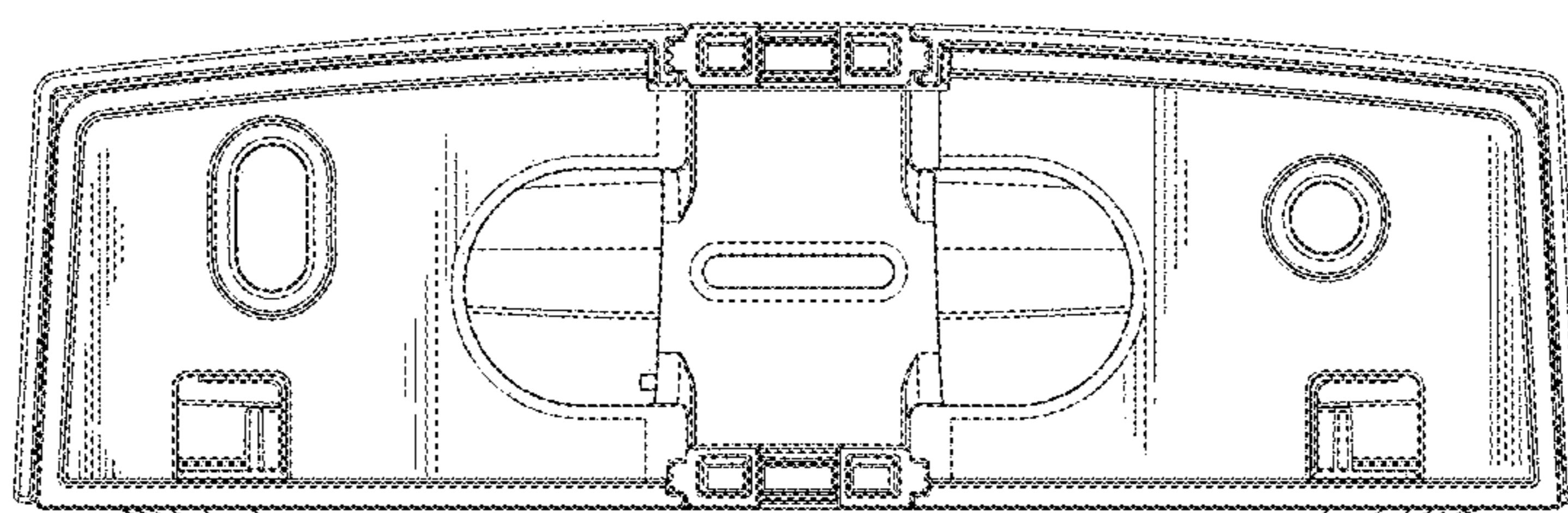


Fig. 6

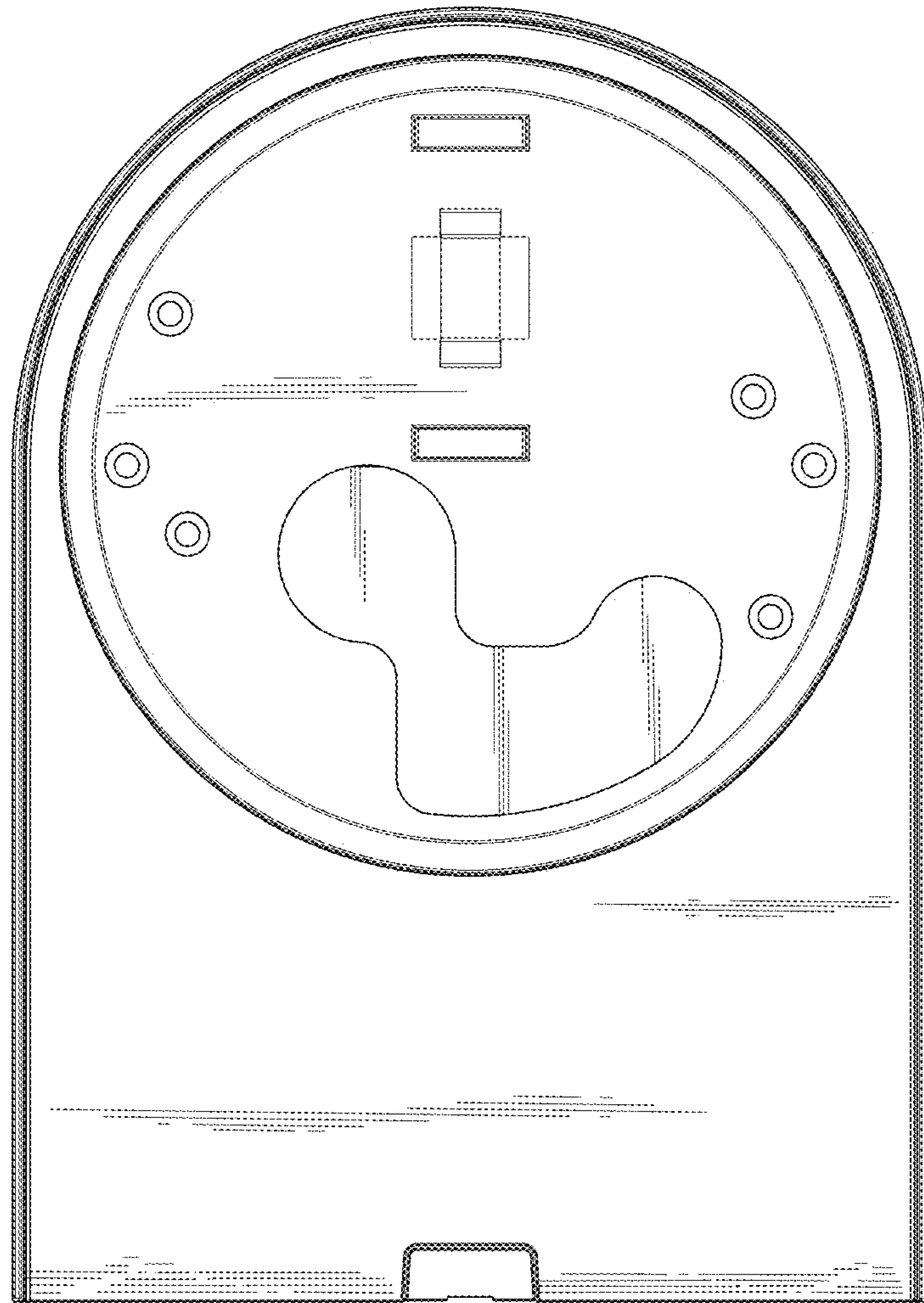


Fig. 7

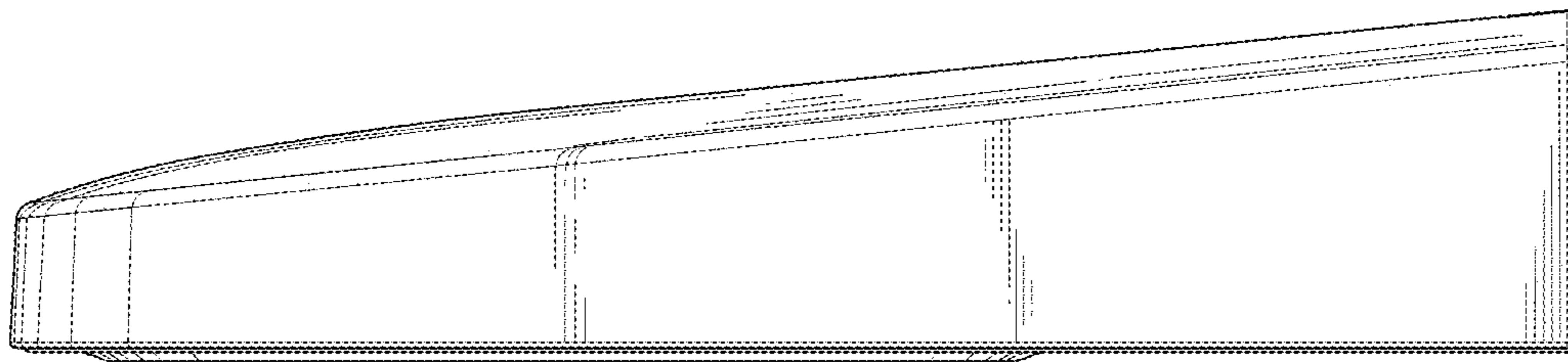


Fig. 8