



US00D896863S

(12) **United States Design Patent**
Tu et al.

(10) **Patent No.:** **US D896,863 S**
(45) **Date of Patent:** **** Sep. 22, 2020**

(54) **CAMERA**
(71) Applicant: **Quanta Computer Inc.**, Taoyuan (TW)
(72) Inventors: **Chia-Ying Tu**, Taoyuan (TW); **I-Chi Chen**, Taoyuan (TW)
(73) Assignee: **QUANTA COMPUTER INC.**,
Guishan Dist., Taoyuan (TW)
(**) Term: **15 Years**
(21) Appl. No.: **29/673,109**
(22) Filed: **Dec. 12, 2018**

(30) **Foreign Application Priority Data**

Nov. 9, 2018 (TW) 107306615

(51) **LOC (12) Cl.** **16-01**
(52) **U.S. Cl.**
USPC **D16/203**

(58) **Field of Classification Search**
USPC D3/210, 215, 207-209; D8/356, 357;
D10/31, 104.1, 50, 65, 74, 70, 118.2, 66;
D16/200-220, 131, 132, 237, 242, 239,
D16/250, 235, 130, 134, 136, 238;
D14/417, 138 C, 240, 248, 203.1, 203.3,
D14/203.7, 218, 207, 440, 402, 454, 407,
D14/408, 480.3, 480.1, 483; D24/138
CPC . G02B 7/02; G02B 7/021; G02B 7/04; G02B
7/14; G02B 7/003; G02B 7/008; G02B
13/06; G03B 17/00; G03B 17/02; G03B
17/56; G03B 17/04; G03B 17/14; G03B
17/08; G03B 15/03; G03B 15/06; H04N
1/00981; H04N 5/2251; H04N 5/2252;
H04N 5/2253; H04N 5/2254; H04N
5/23238; H04N 7/00; H04N 13/239;
H04N 2101/00; F16M 13/00
See application file for complete search history.

(56) **References Cited**

U.S. PATENT DOCUMENTS

D454,902 S * 3/2002 Hsu D16/202
D464,365 S * 10/2002 Su D16/202

D590,863 S * 4/2009 Ke D16/202
D776,740 S * 1/2017 Okawa D16/203
D785,067 S * 4/2017 Ramones D16/203
D794,694 S * 8/2017 Liu D16/203
D805,570 S * 12/2017 Shi D16/202
D806,154 S * 12/2017 Shi D16/202

(Continued)

FOREIGN PATENT DOCUMENTS

CN 304772301 * 8/2018

Primary Examiner — Dana K Weiland

Assistant Examiner — Mary Claire Ramirez

(74) *Attorney, Agent, or Firm* — McClure, Qualey & Rodack, LLP

(57) **CLAIM**

The ornamental design for a camera, as shown and described.

DESCRIPTION

FIG. 1 is a front, right perspective view of a camera showing our new design;

FIG. 2 is a front view thereof;

FIG. 3 is a rear view thereof;

FIG. 4 is a left side view thereof;

FIG. 5 is a right side view thereof;

FIG. 6 is a top plan view thereof;

FIG. 7 is a bottom plan view thereof;

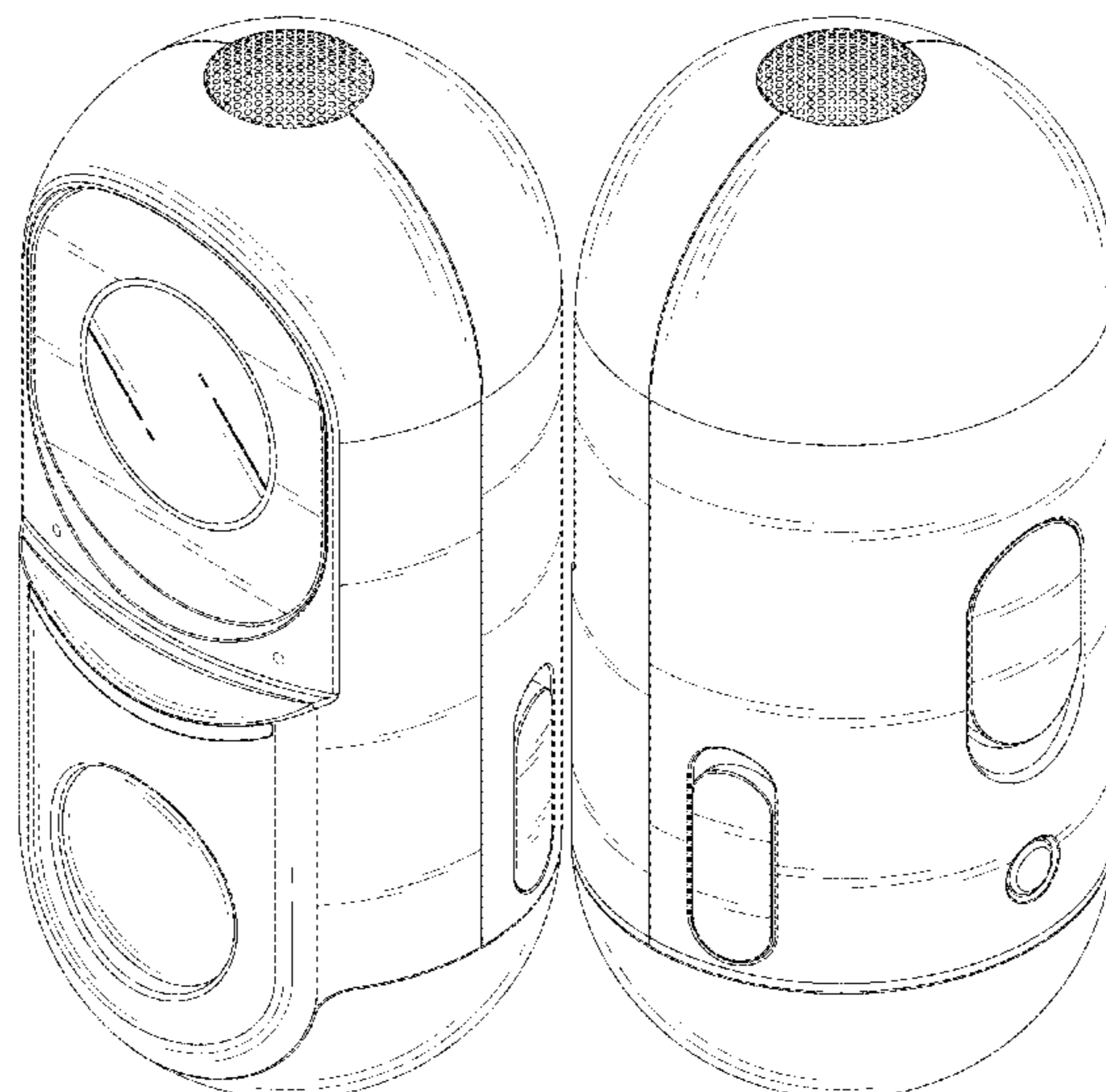
FIG. 8 is a rear, right perspective view thereof; and,

FIG. 9 is a front, right perspective view of the camera shown on a standing dock.

The broken lines showing a standing dock in FIG. 9 depict environmental structure that forms no part of the claimed design.

The broken lines in the FIG. 7 depict portions of the camera that form no part of the claimed design.

1 Claim, 8 Drawing Sheets



(56)

References Cited

U.S. PATENT DOCUMENTS

D808,454 S *	1/2018	Seflic	D16/200
D810,165 S *	2/2018	Webb	D15/199
D810,168 S *	2/2018	Shi	D16/202
D825,639 S *	8/2018	Kan	D16/203
D834,578 S *	11/2018	Fook	D14/420
D849,077 S *	5/2019	Tian	D16/202
D850,943 S *	6/2019	Gill	D10/70
D860,834 S *	9/2019	Gill	D10/70
D862,561 S *	10/2019	Pritikin	D16/214
D884,768 S *	5/2020	Liu	D16/203
D888,795 S *	6/2020	Yuan	D16/203

* cited by examiner

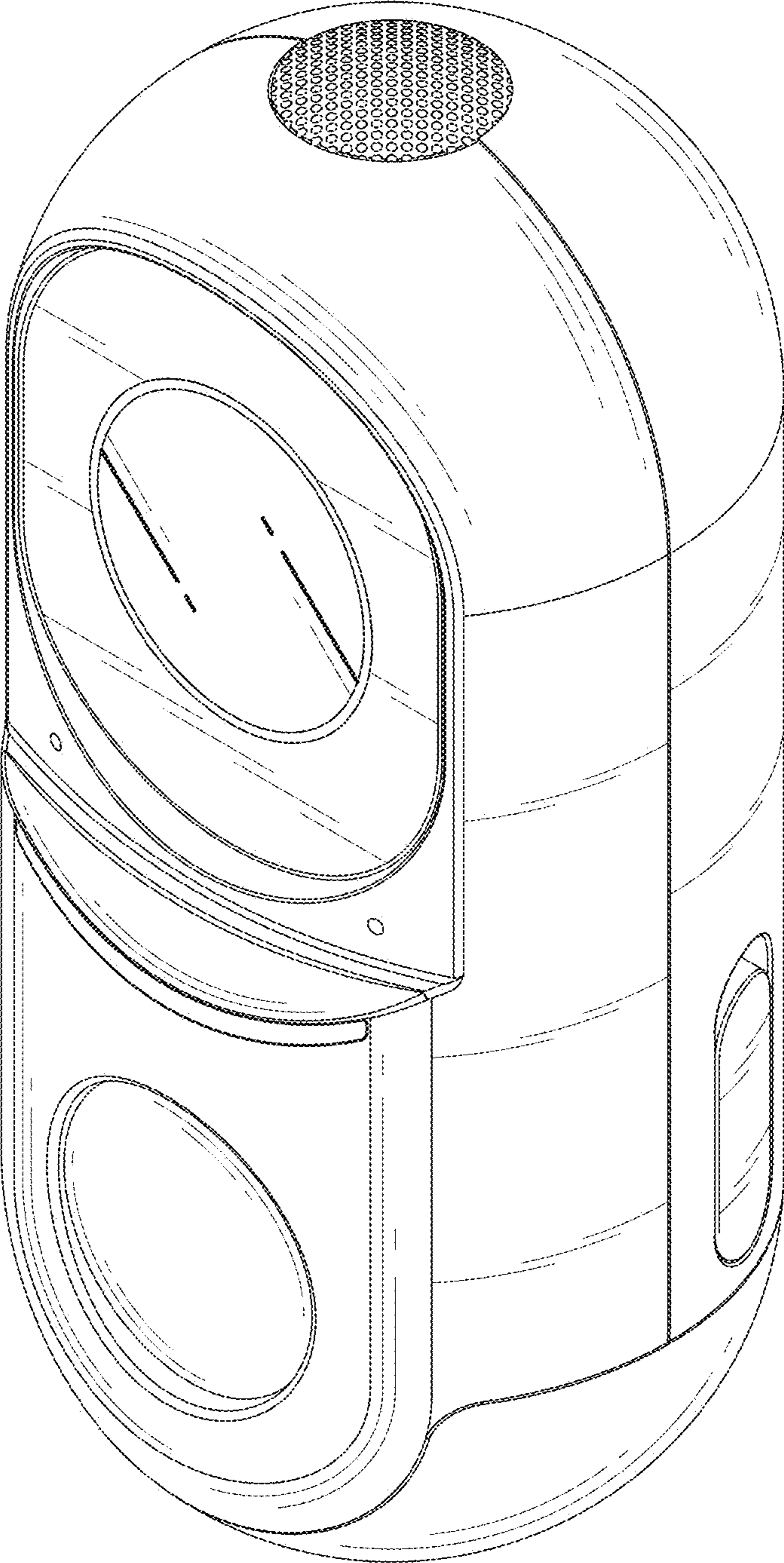


FIG. 1

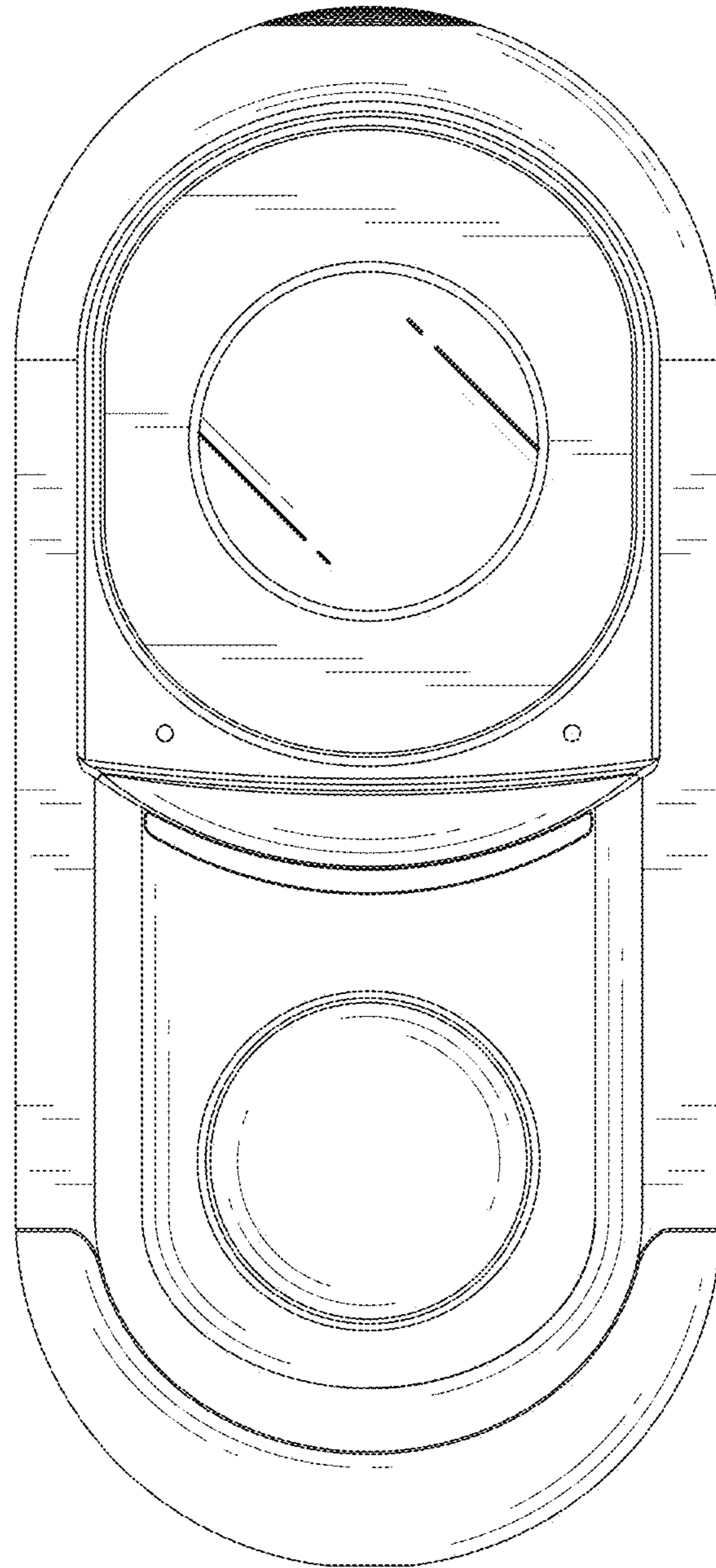


FIG. 2

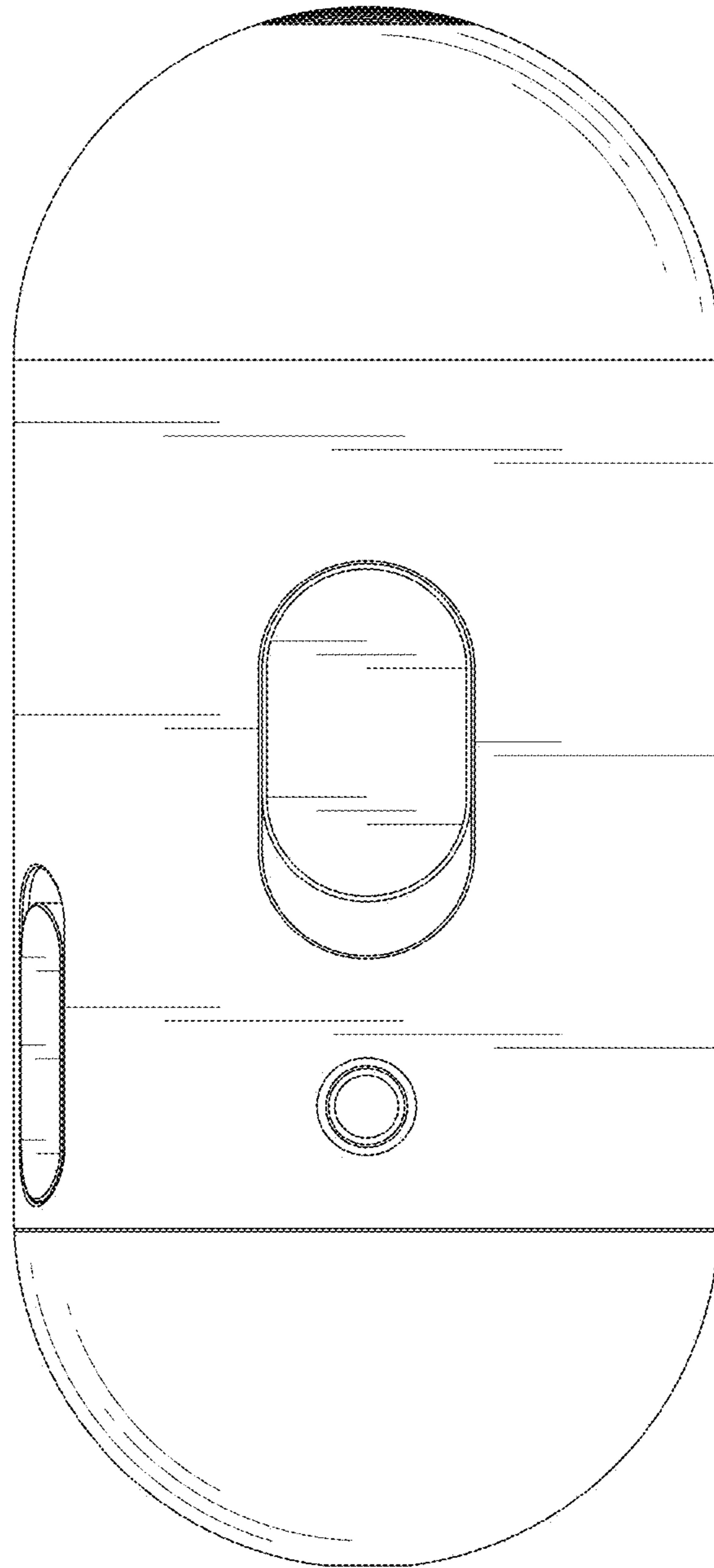


FIG. 3

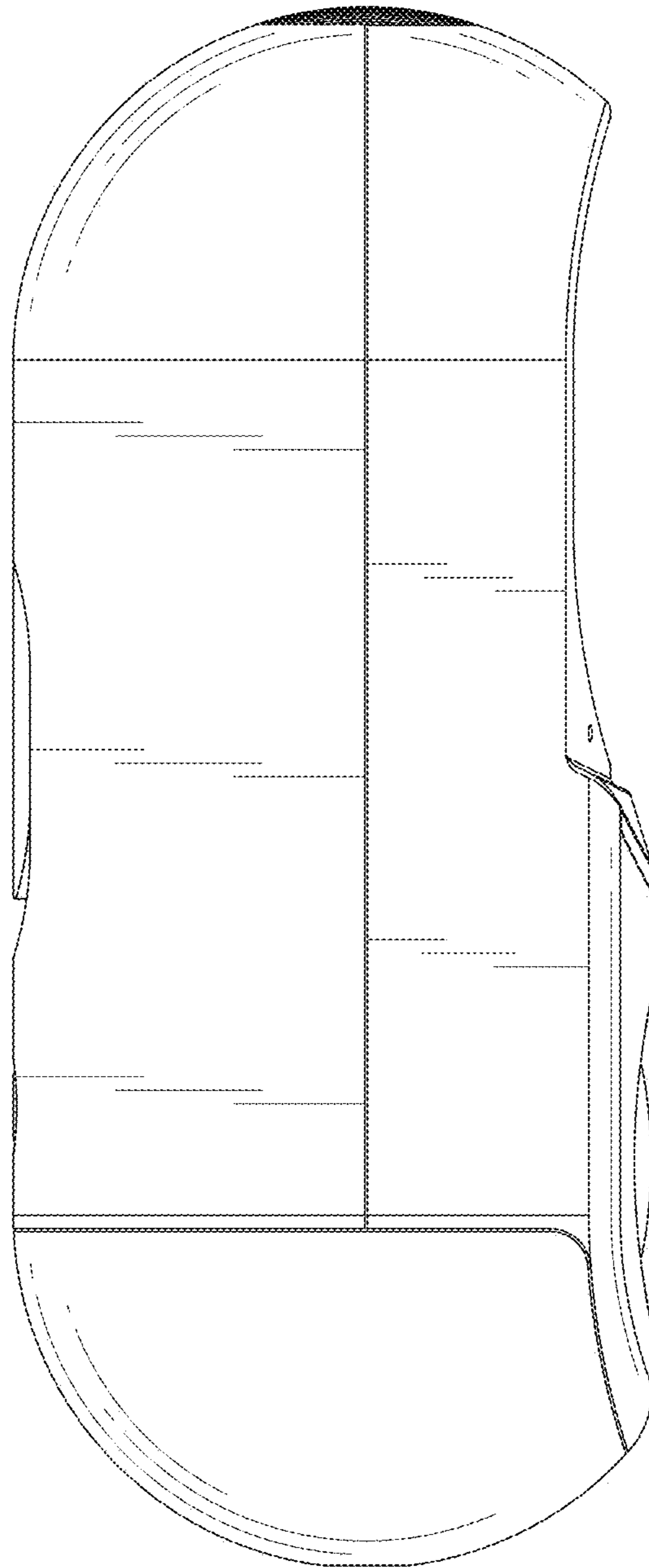


FIG. 4

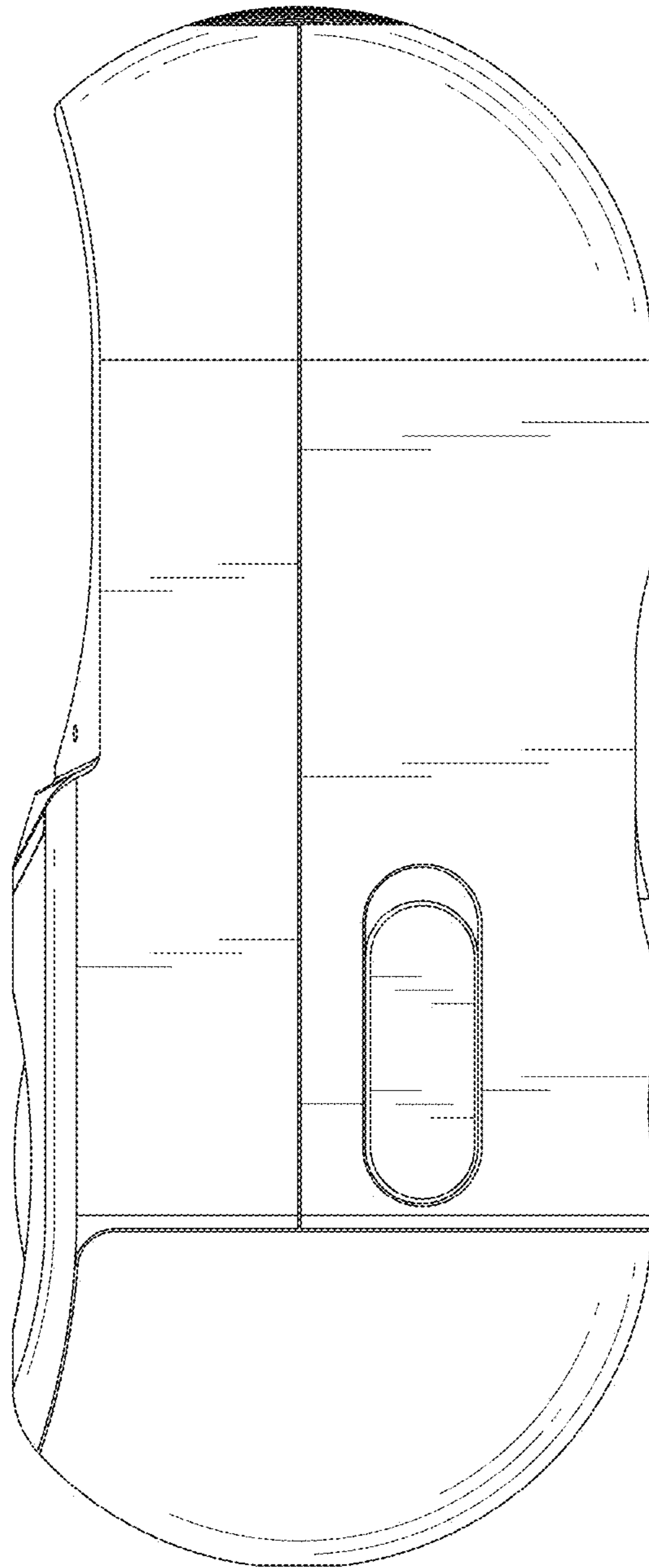


FIG. 5

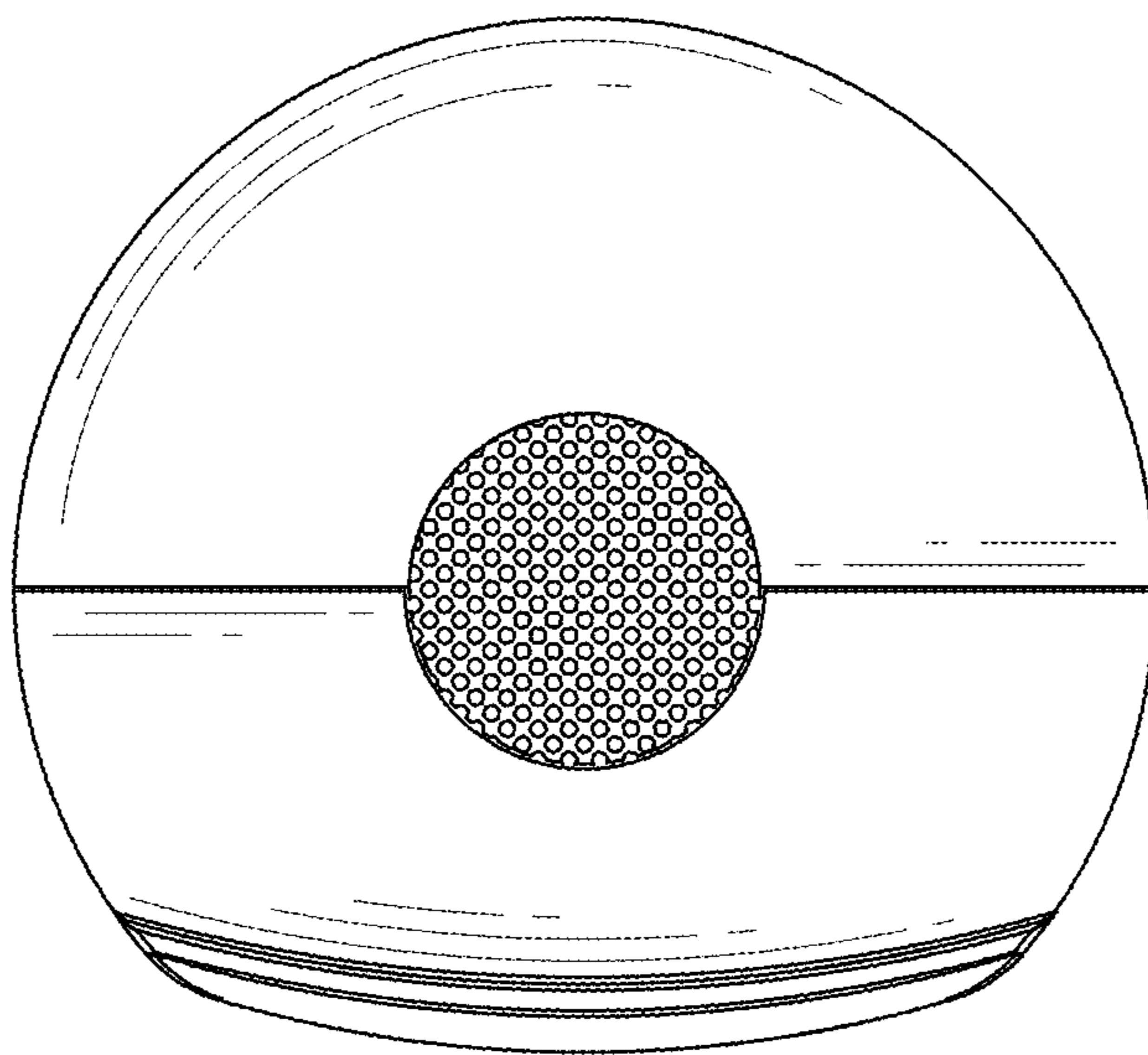


FIG. 6

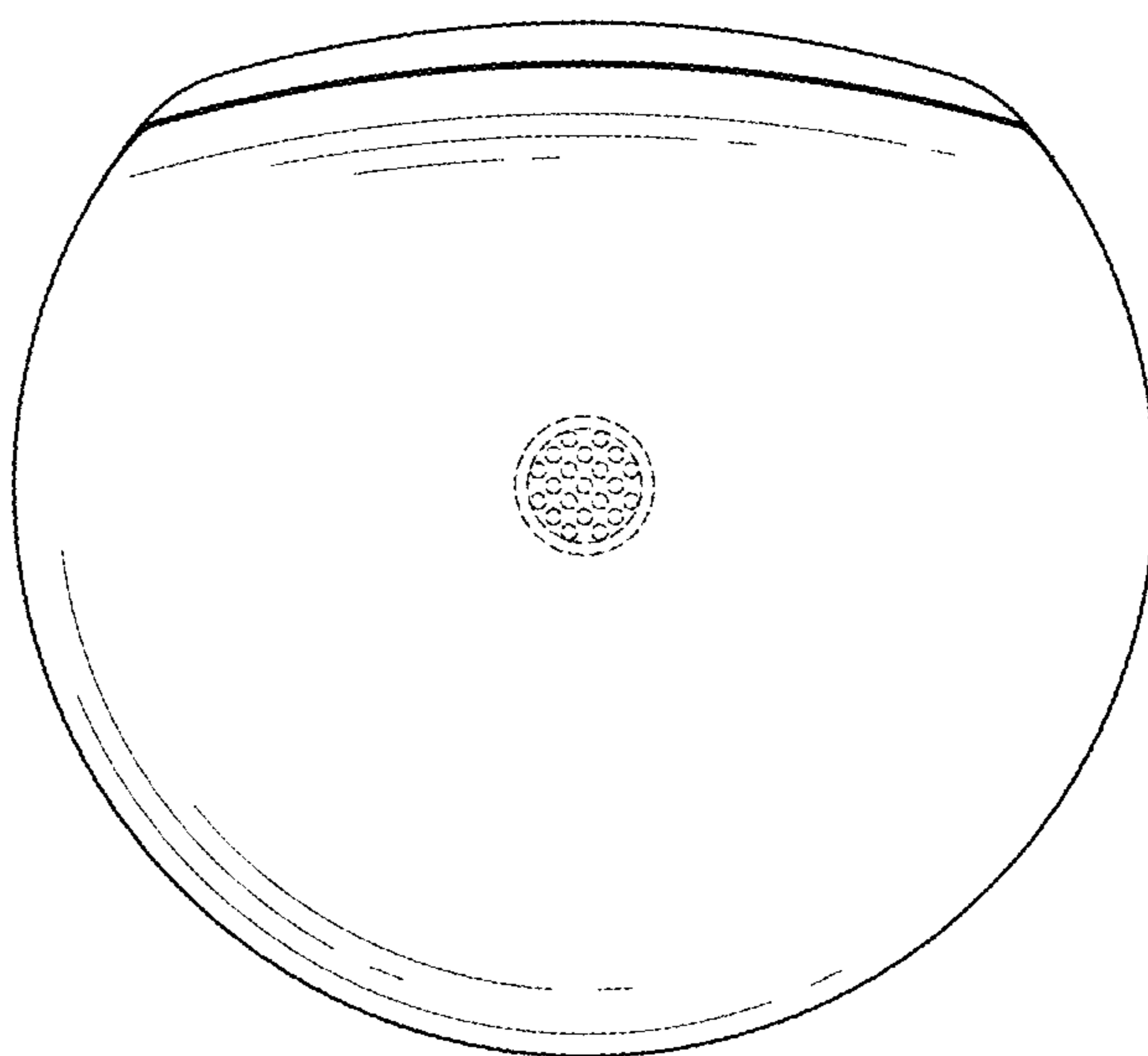


FIG. 7

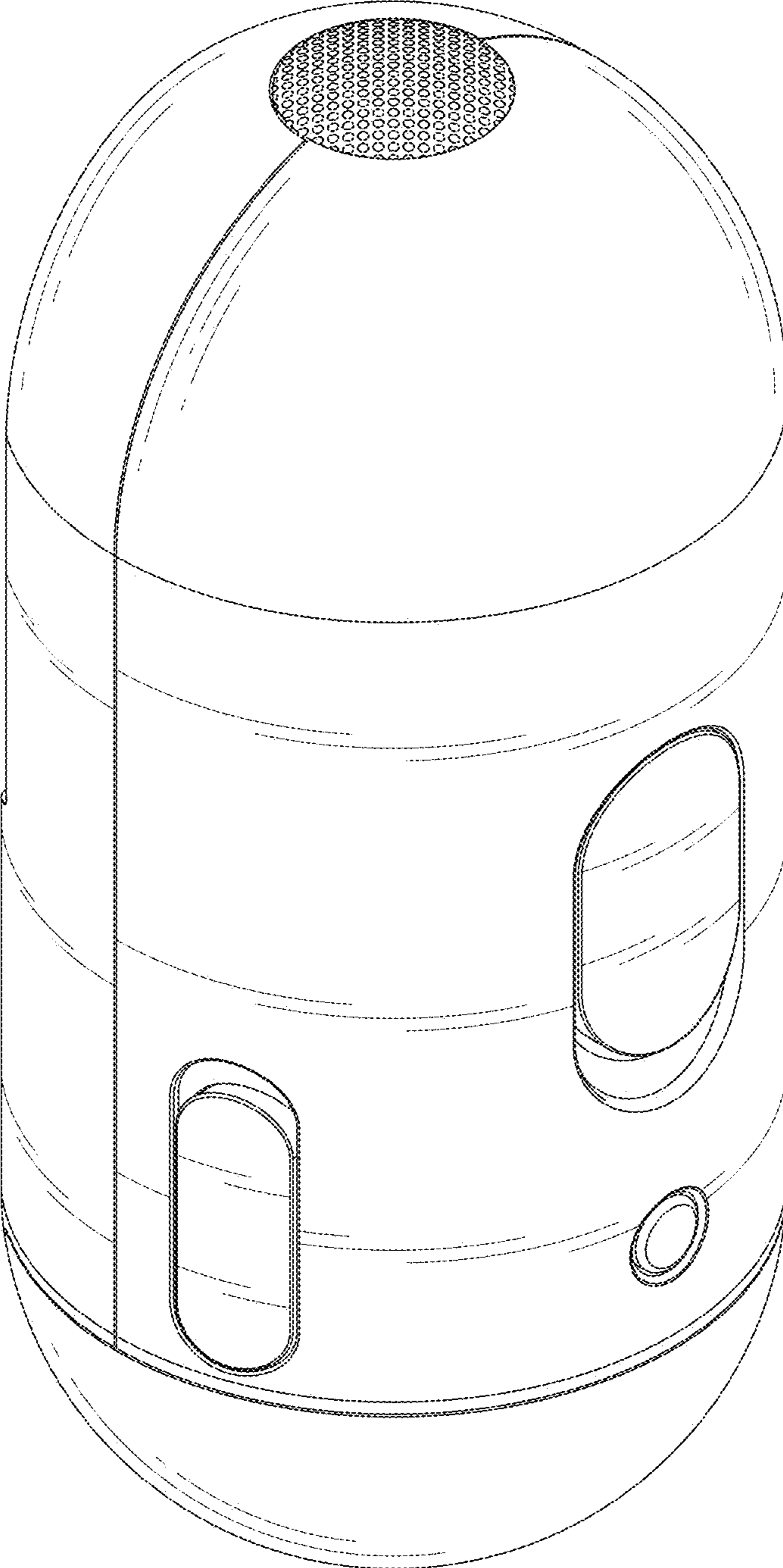


FIG. 8

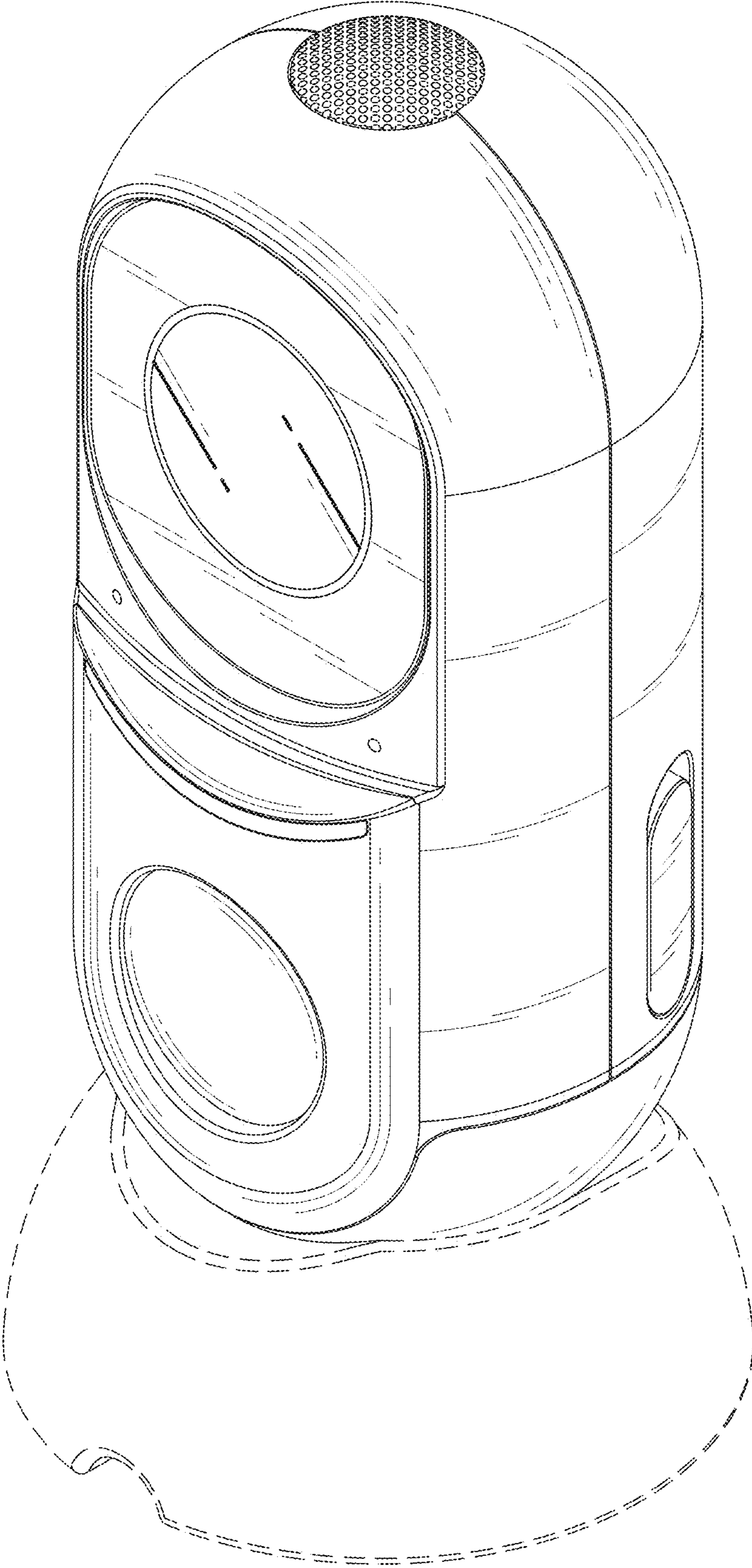


FIG. 9