



US00D896862S

(12) **United States Design Patent** (10) **Patent No.:** **US D896,862 S**
Sun et al. (45) **Date of Patent:** **** Sep. 22, 2020**

(54) **CAMERA**

(71) Applicant: **TUSIMPLE, INC.**, San Diego, CA (US)

(72) Inventors: **Jie Sun**, Beijing (CN); **Xiaoping Gu**, Beijing (CN)

(73) Assignee: **TUSIMPLE, INC.**, San Diego, CA (US)

(**) Term: **15 Years**

(21) Appl. No.: **29/664,330**

(22) Filed: **Sep. 24, 2018**

(30) **Foreign Application Priority Data**

Mar. 27, 2018 (CN) 2018 3 0116913

(51) **LOC (12) Cl.** **16-01**

(52) **U.S. Cl.**
USPC **D16/202; D16/203**

(58) **Field of Classification Search**
USPC D16/200–220, 131, 132, 237, 242, 239, D16/250, 235, 130, 134, 136, 238, 243; D14/417, 138 C, 240, 248, 203.1, 203.3, D14/203.7, 218, 207, 440, 402, 454, 407, D14/408, 252, 253; D10/104.1, 50, 65, D10/74, 70, 118.2, 66; D12/187; D29/102, 122, 103; D3/269, 267; D30/199

CPC G03B 17/00; G03B 17/02; G03B 17/56; G03B 17/04; G03B 17/14; G03B 17/08; G03B 15/03; G03B 15/06; H04N 1/00981; H04N 5/2251; H04N 5/2252; H04N 5/2253; H04N 5/2254; H04N 5/23238; H04N 7/00; H04N 13/239; H04N 2101/00; F16M 13/00

See application file for complete search history.

(56) **References Cited**

U.S. PATENT DOCUMENTS

D230,406 S *	2/1974	Hampton	D13/152
D321,527 S *	11/1991	Kurozumi	D16/205
D375,904 S *	11/1996	Fukuda	D10/50
D409,641 S *	5/1999	Uehara	D16/202
D416,272 S *	11/1999	Adachi	D16/203
D441,386 S *	5/2001	Yamazaki	D16/203
D442,982 S *	5/2001	Adachi	D16/203
D446,801 S *	8/2001	Adachi	D16/203
D470,520 S *	2/2003	Yamakawa	D16/203
D472,259 S *	3/2003	Rupe	D16/202
D472,913 S *	4/2003	Rupe	D16/202
D531,200 S *	10/2006	Taneno	D16/203
D584,328 S *	1/2009	Sasaki	D16/235
D611,081 S *	3/2010	Kobayashi	D16/203
D651,200 S *	12/2011	Sugime	D14/140.6
D694,307 S *	11/2013	Isozaki	D16/203
D720,789 S *	1/2015	Minamide	D16/203
D738,235 S *	9/2015	Riegl	D10/66
D750,148 S *	2/2016	Eriksen	D16/218

(Continued)

Primary Examiner — T Chase Nelson

Assistant Examiner — Mary Claire Ramirez

(74) *Attorney, Agent, or Firm* — Paul Liu; Perkins Coie LLP

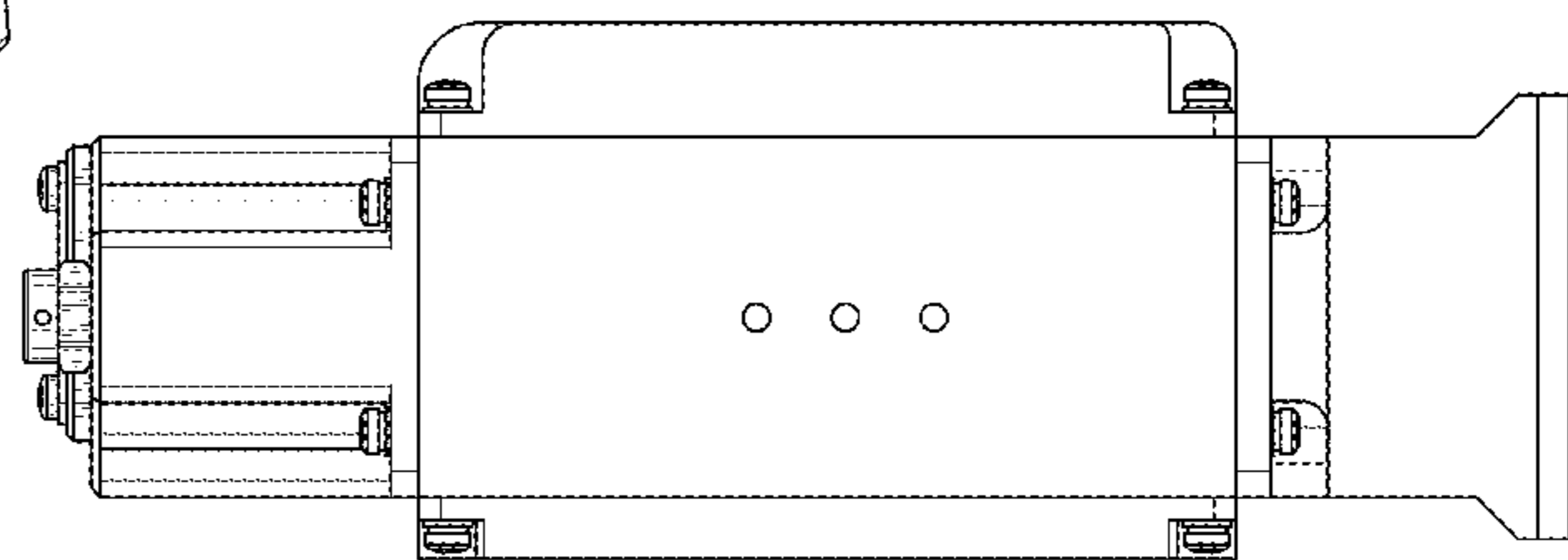
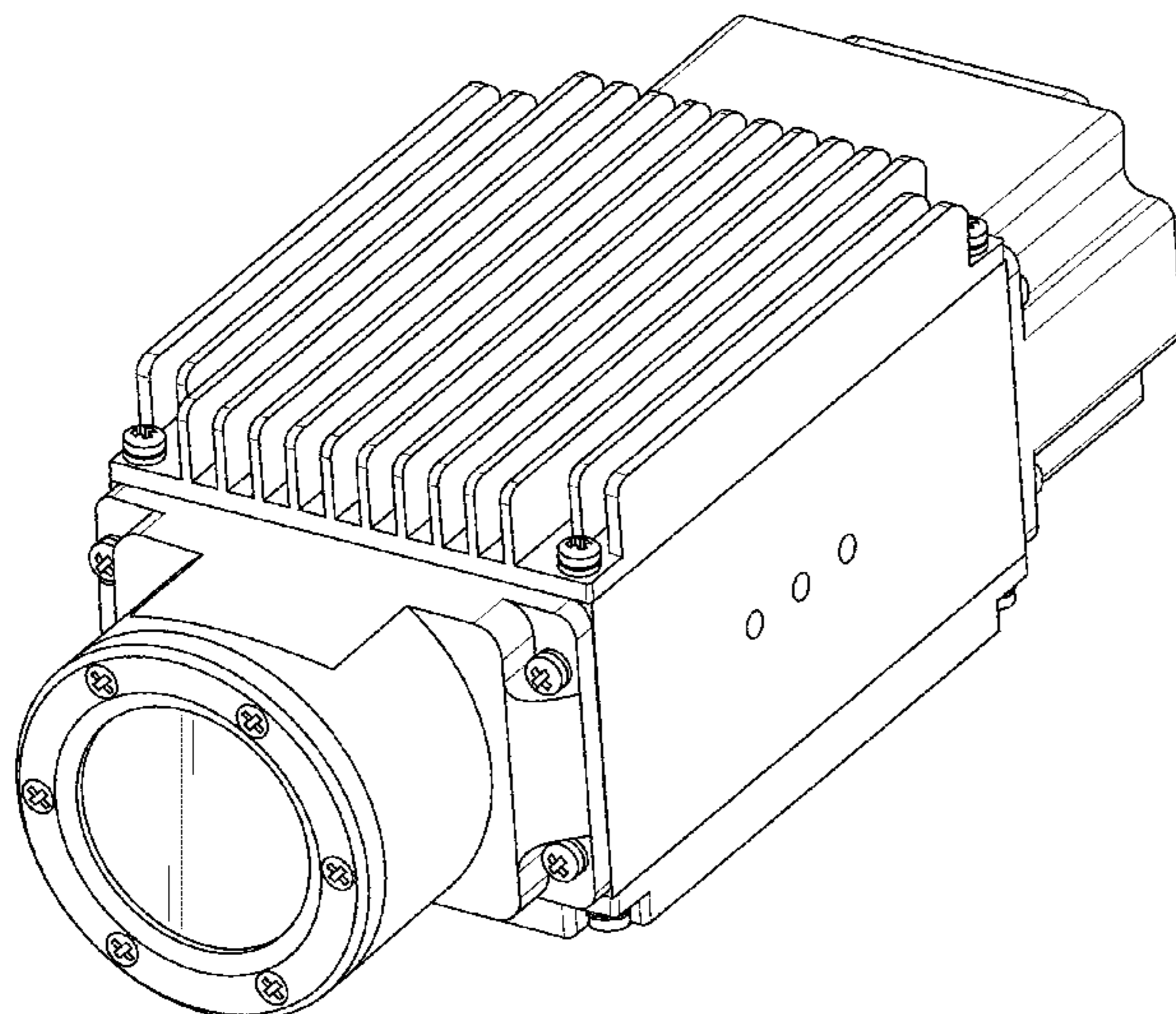
(57) **CLAIM**

The ornamental design for camera, as shown and described.

DESCRIPTION

FIG. 1 is a front perspective view of a camera showing our new design;
FIG. 2 is an enlarged front view of the camera;
FIG. 3 is a bottom view of the camera;
FIG. 4 is a top view thereof;
FIG. 5 is a right-side view thereof;
FIG. 6 is an enlarged rear view of the camera; and,
FIG. 7 is a left-side view of the camera.

1 Claim, 7 Drawing Sheets



(56)

References Cited

U.S. PATENT DOCUMENTS

D765,755 S * 9/2016 Pellegrino D16/202
D813,931 S * 3/2018 van Hoff D16/219
D823,918 S * 7/2018 Shain D16/202
D849,075 S * 5/2019 Heath D16/202
D849,105 S * 5/2019 Hogstedt D16/218
D868,135 S * 11/2019 Garre D16/219
D870,796 S * 12/2019 Lin D16/219
10,498,934 B2 * 12/2019 Nunnink H04N 5/2252
2010/0151192 A1 * 6/2010 Saito H01L 27/14618
428/137
2013/0128104 A1 * 5/2013 Nunnink G03B 15/05
348/373
2018/0097573 A1 * 4/2018 Guo H04N 17/00
2019/0033690 A1 * 1/2019 Choi H04N 5/22521
2019/0256055 A1 * 8/2019 Gu B60S 1/50

* cited by examiner

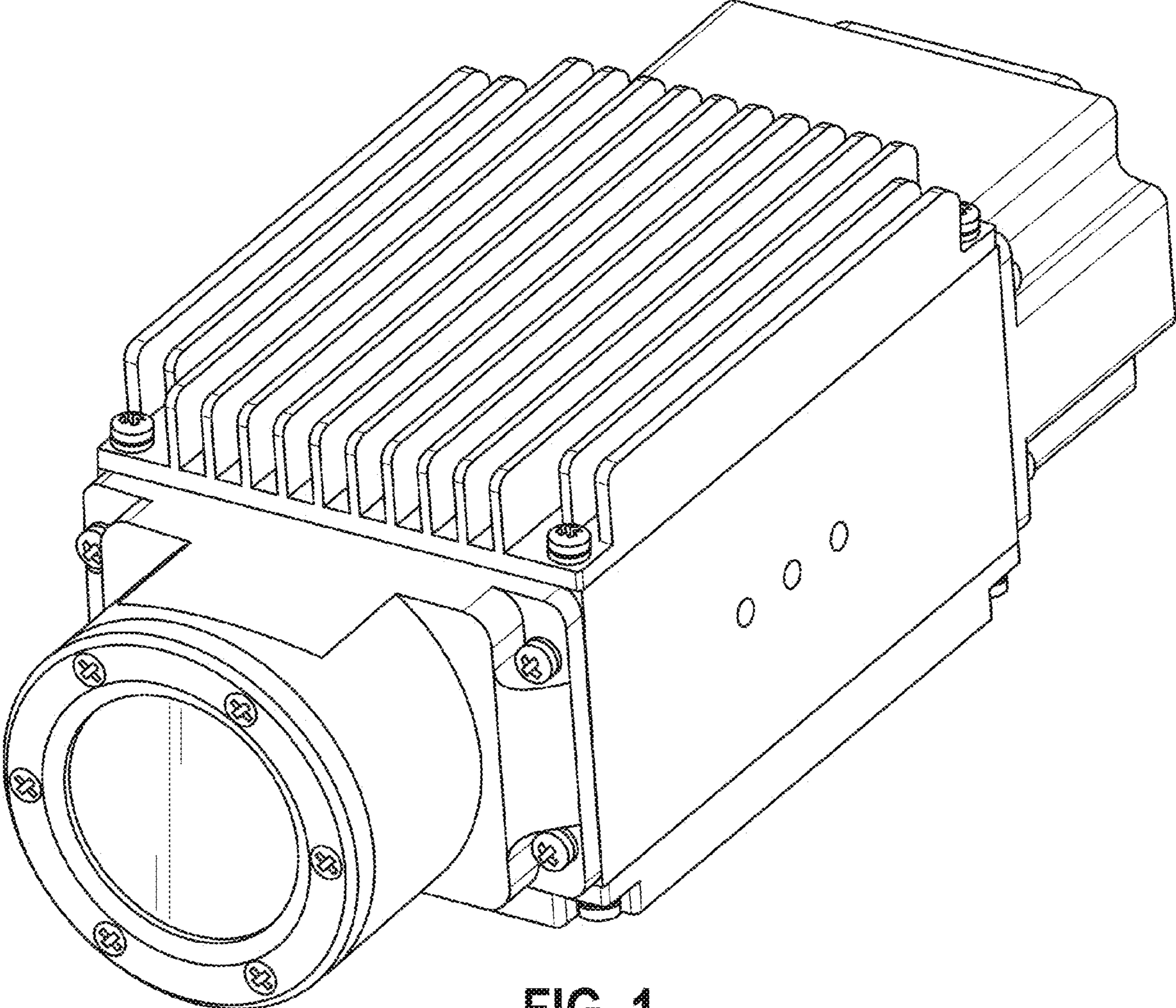


FIG. 1

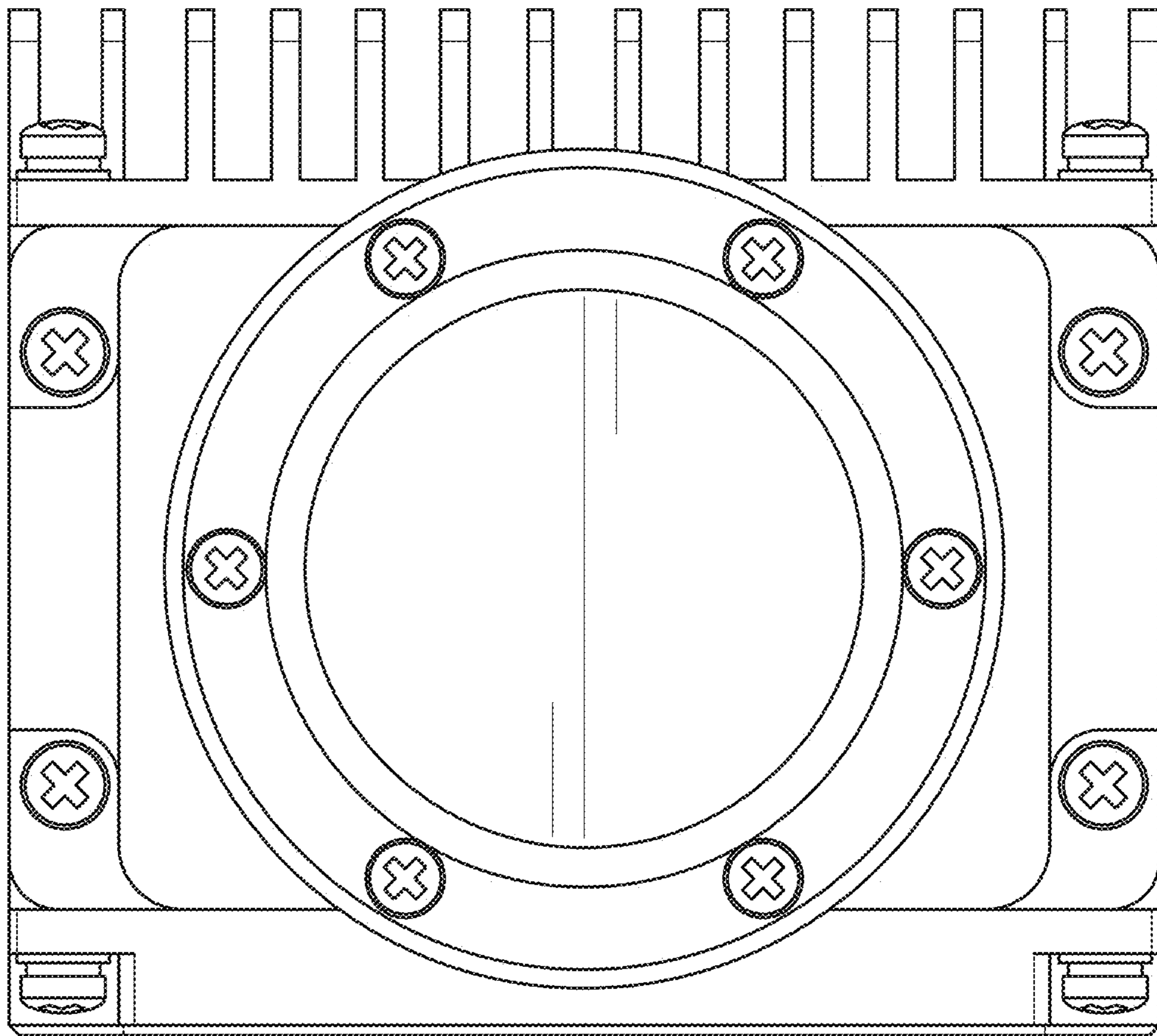


FIG. 2

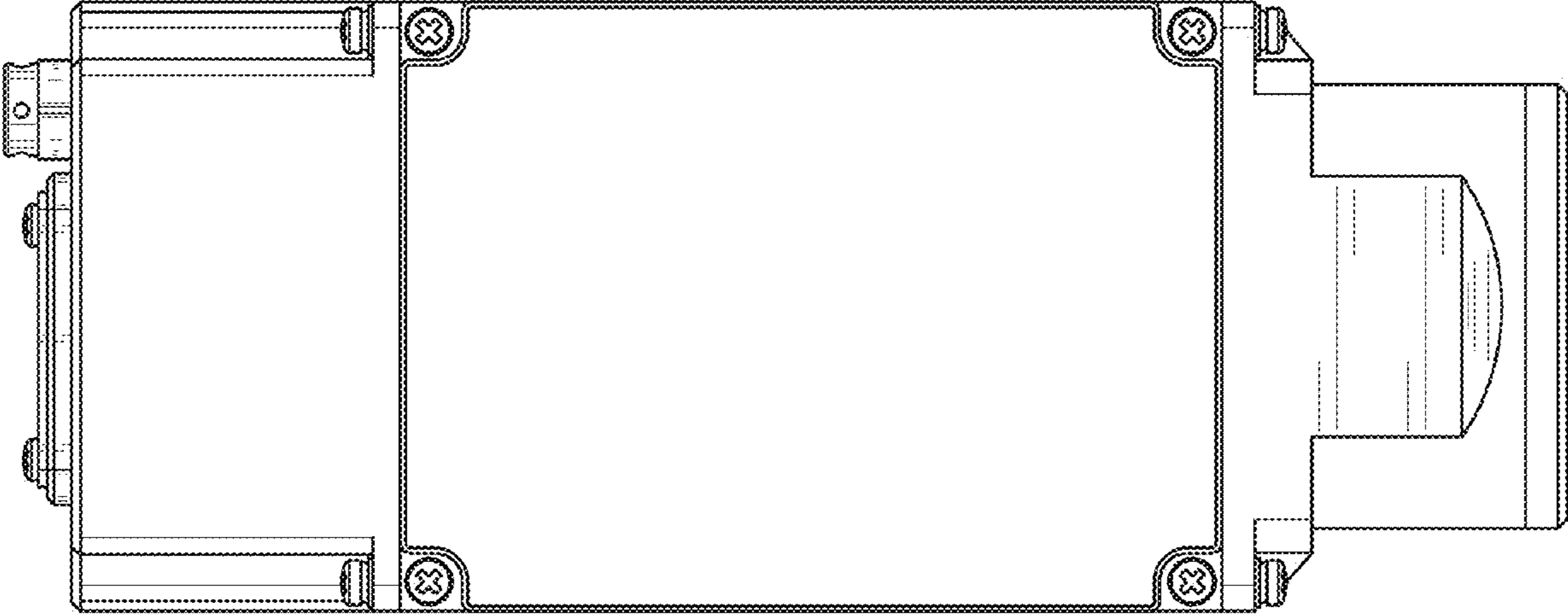


FIG. 3

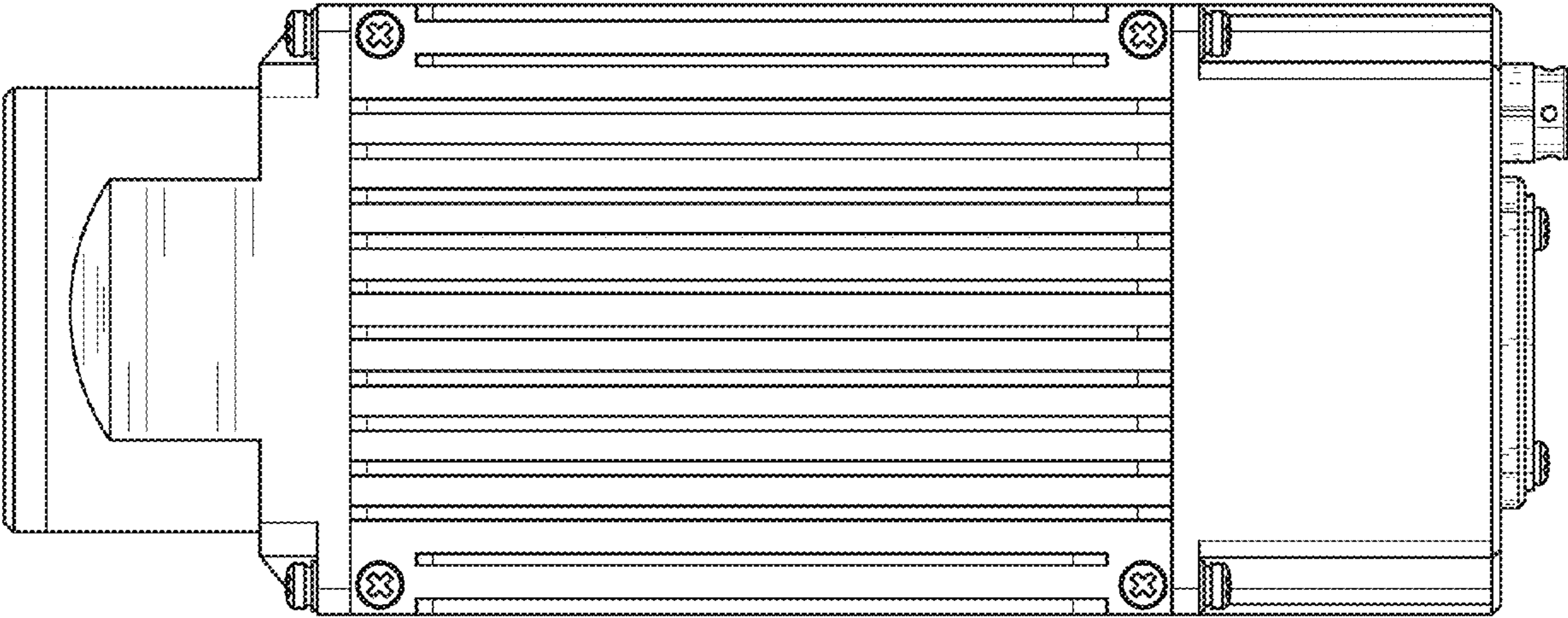


FIG. 4

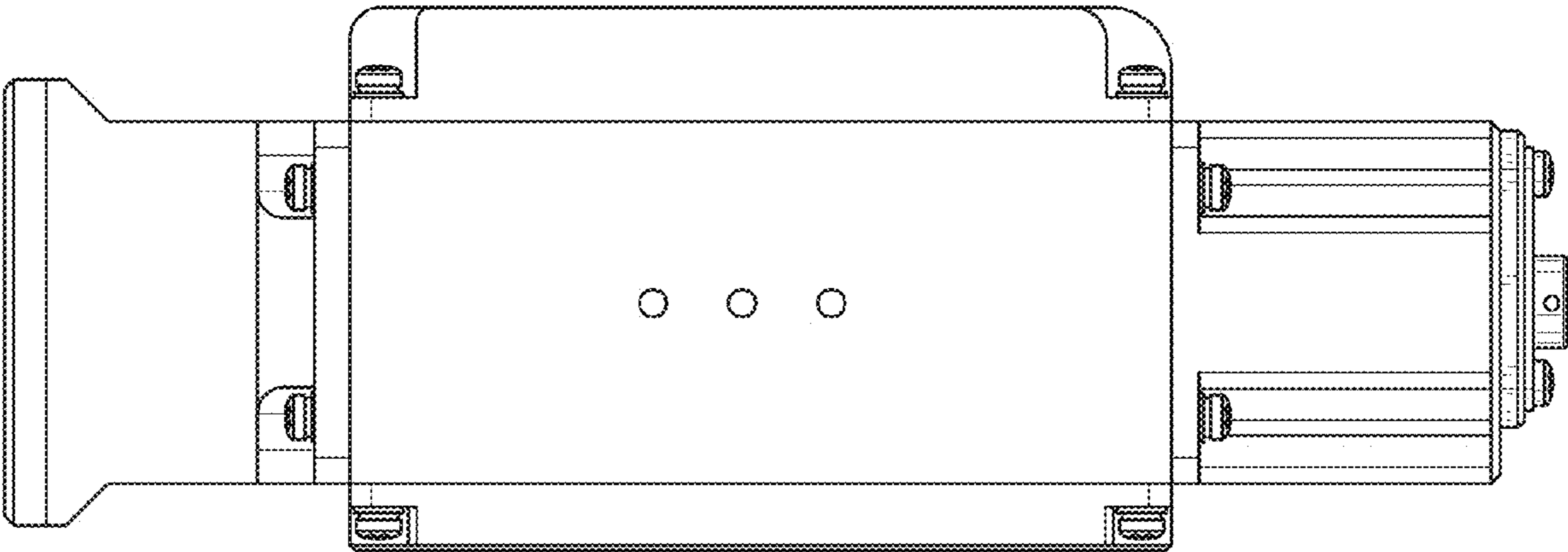


FIG. 5

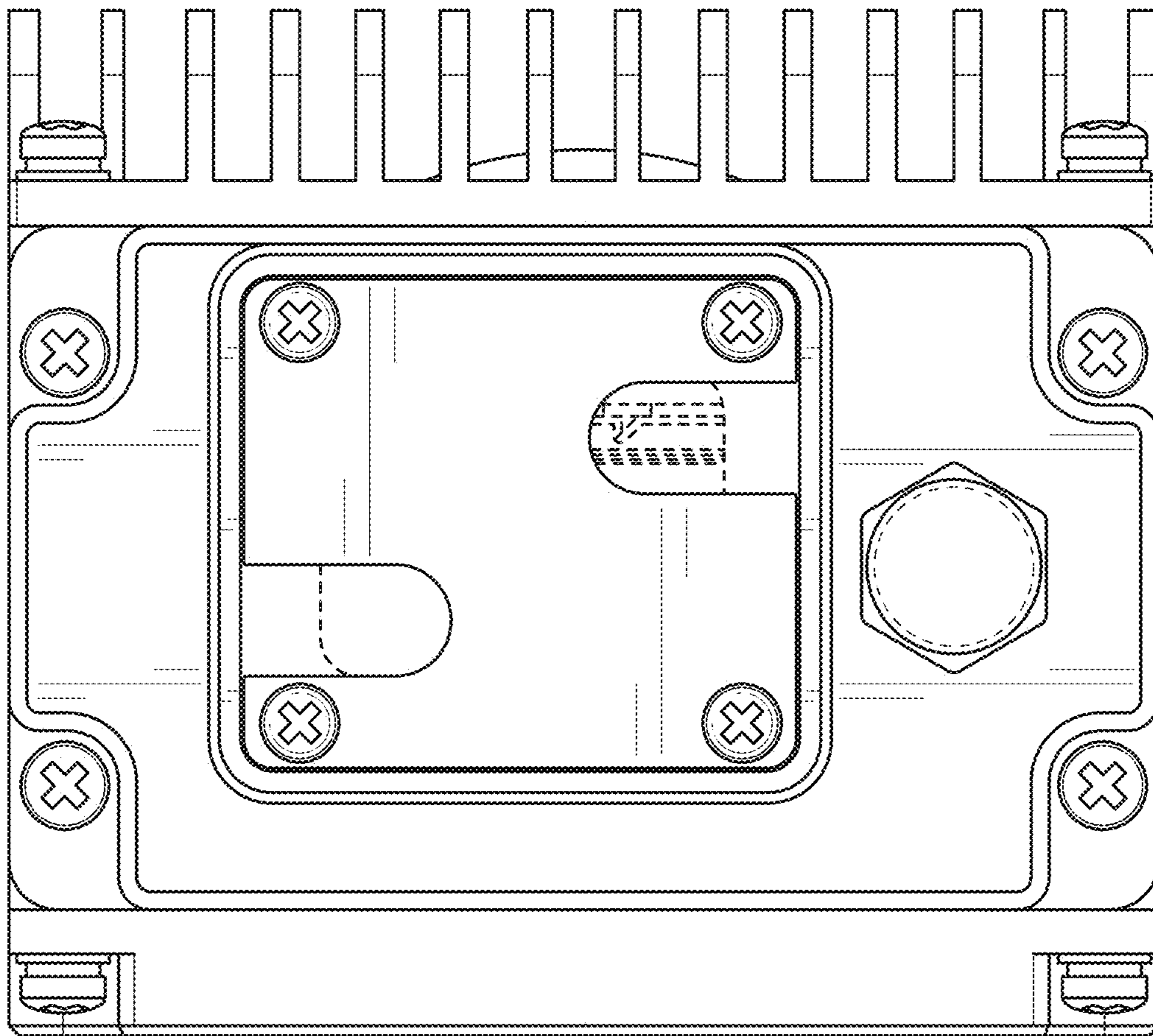


FIG. 6

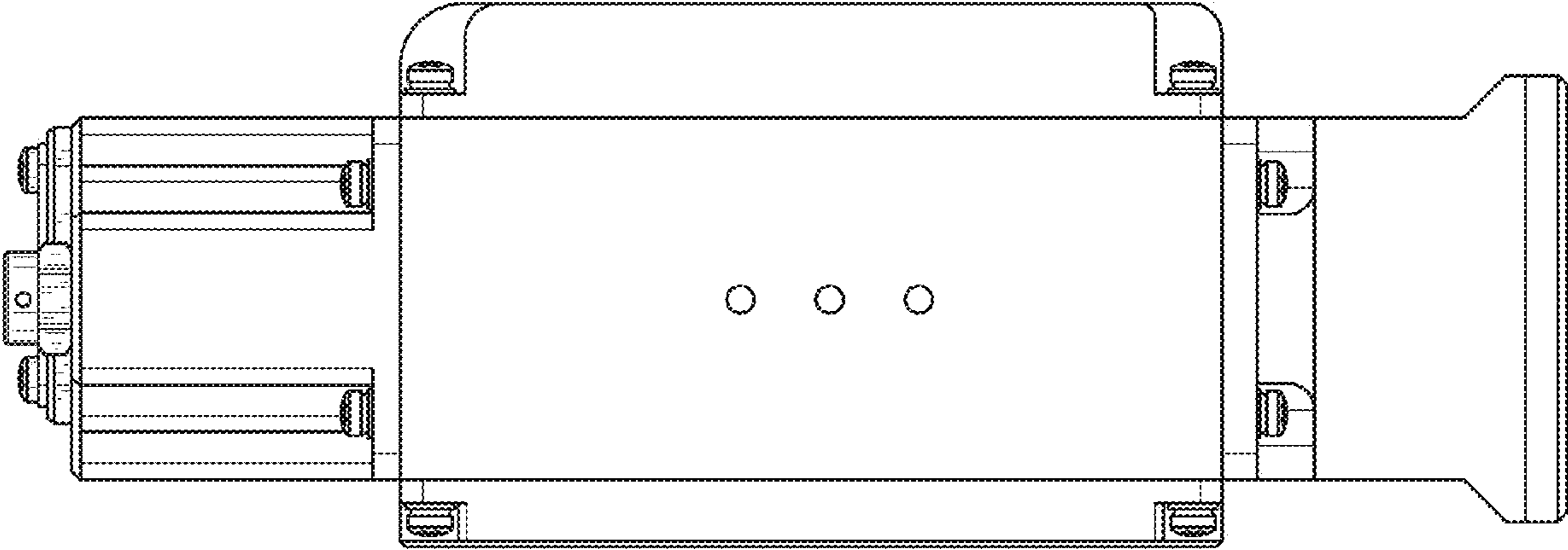


FIG. 7