

US00D896859S

(12) **United States Design Patent**
Naitou et al.

(10) **Patent No.:** **US D896,859 S**

(45) **Date of Patent:** **** Sep. 22, 2020**

(54) **INDUSTRIAL ROBOT**

(71) Applicant: **FANUC CORPORATION**, Yamanashi (JP)

(72) Inventors: **Masahiro Naitou**, Yamanashi (JP); **Kenichiro Abe**, Yamanashi (JP); **Yoshihiro Tanno**, Yamanashi (JP); **Kunihiko Murakami**, Yamanashi (JP); **Toshinori Ohashi**, Yamanashi (JP); **Yoshiaki Yokoyama**, Yamanashi (JP); **Yuuki Kondou**, Yamanashi (JP); **Keita Suyama**, Yamanashi (JP); **Michio Kinoshita**, Tokyo (JP); **Kou Isozaki**, Tokyo (JP)

(73) Assignee: **FANUC CORPORATION**, Yamanashi (JP)

(**) Term: **15 Years**

(21) Appl. No.: **29/699,798**

(22) Filed: **Jul. 29, 2019**

(30) **Foreign Application Priority Data**

Jan. 29, 2019 (JP) 2019-001588

(51) **LOC (12) Cl.** **15-99**

(52) **U.S. Cl.**
USPC **D15/199**

(58) **Field of Classification Search**
USPC D15/122, 199; D21/578-583; D32/21; D34/34
CPC B25J 9/046; B25J 9/042; B25J 9/06; H01L 21/67766

See application file for complete search history.

(56) **References Cited**

U.S. PATENT DOCUMENTS

D269,681 S * 7/1983 Morser D15/122
D279,572 S * 7/1985 Yasuoka D15/122

D287,368 S * 12/1986 Shibayama D15/122
D300,935 S * 5/1989 Maddock D15/122
D307,282 S * 4/1990 Suica D15/199
D334,581 S * 4/1993 Yoshikawa D15/199
D344,279 S * 2/1994 Koyama D15/199
D344,280 S * 2/1994 Koyama D15/199
D410,477 S * 6/1999 Nihei D15/199
D444,488 S * 7/2001 Selic D15/199
D449,057 S * 10/2001 Selic D15/199
D616,477 S * 5/2010 Long D15/199
D616,909 S * 6/2010 Long D15/199
D624,104 S * 9/2010 Miyake D15/199
D629,030 S * 12/2010 Long D15/199
D636,803 S * 4/2011 Nakagiri D15/199
D638,044 S * 5/2011 Ikoma D15/199
D650,820 S * 12/2011 Long D15/199
D651,627 S * 1/2012 Long D15/199
D677,294 S * 3/2013 Long D15/199
D678,378 S * 3/2013 Selic D15/199

(Continued)

Primary Examiner — Patricia A Palasik

(74) *Attorney, Agent, or Firm* — Banner & Witcoff, Ltd.

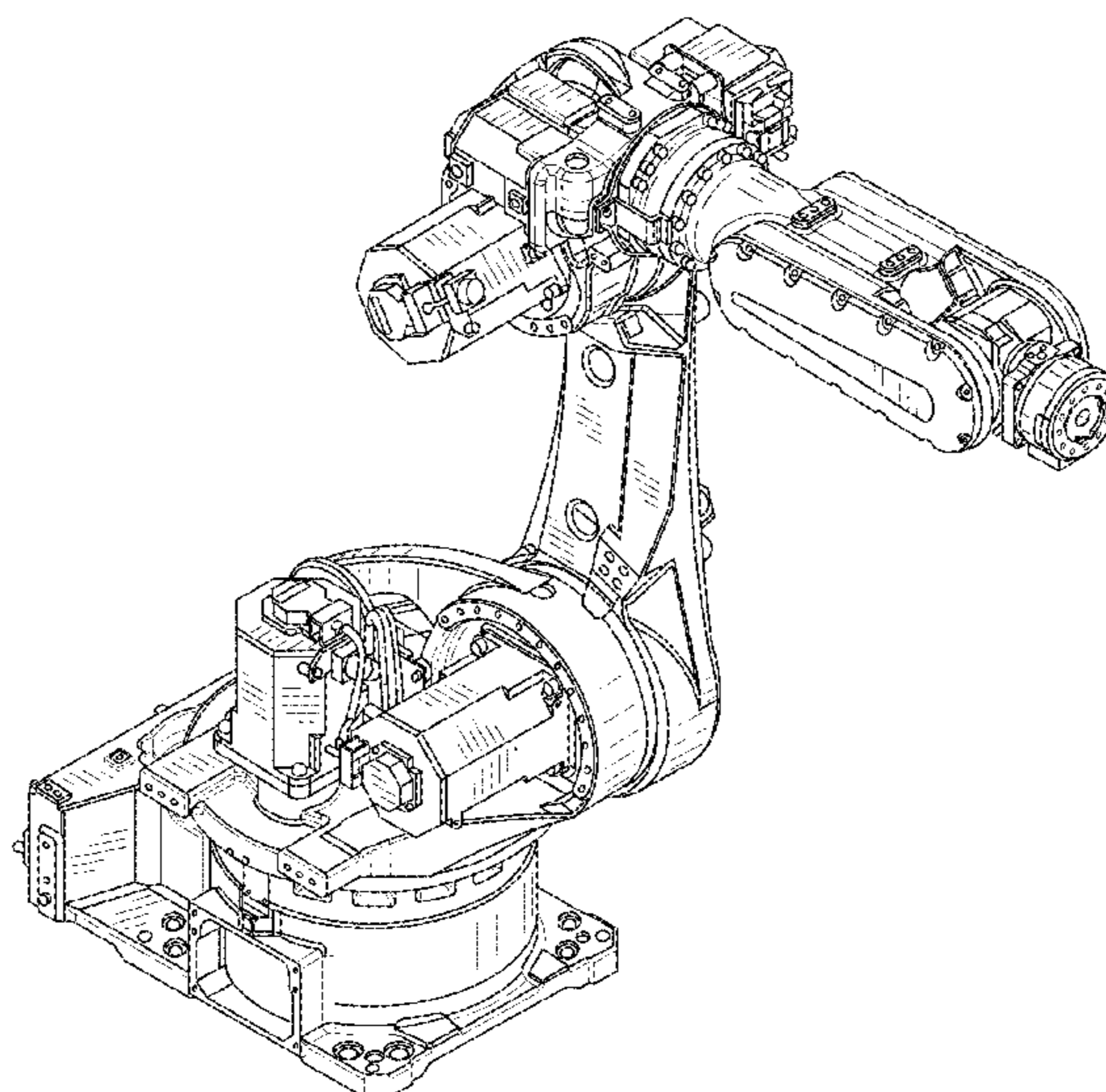
(57) **CLAIM**

The ornamental design for an industrial robot, as shown and described.

DESCRIPTION

FIG. 1 is a front-left side perspective view of an industrial robot showing our new design;
FIG. 2 is a front-right side perspective view thereof;
FIG. 3 is a rear-right side perspective view thereof;
FIG. 4 is a rear-left side perspective view thereof;
FIG. 5 is a front view thereof;
FIG. 6 is a rear view thereof;
FIG. 7 is a top plan view thereof;
FIG. 8 is a bottom view thereof;
FIG. 9 is a right side view thereof; and,
FIG. 10 is a left side view thereof.

1 Claim, 10 Drawing Sheets



(56)

References Cited

U.S. PATENT DOCUMENTS

D681,708	S	*	5/2013	Miyake	D15/199
D690,753	S	*	10/2013	Liu	D15/199
D707,277	S	*	6/2014	Olsson	D15/199
D713,436	S	*	9/2014	Liu	D15/199
D766,348	S	*	9/2016	Long	D15/199
D769,343	S	*	10/2016	Bordegnoni	D15/199
D769,954	S	*	10/2016	Kinoshita	D15/199
D774,579	S	*	12/2016	Oda	D15/199
D778,971	S	*	2/2017	Long	D15/199
D800,813	S	*	10/2017	Zhu	D15/199
D802,041	S	*	11/2017	He	D15/199
D841,707	S	*	2/2019	Yamamoto	D15/199
D852,863	S	*	7/2019	Dosho	D15/199
D855,095	S	*	7/2019	Wang	D15/199
D865,828	S	*	11/2019	Bogart	D15/199
D870,169	S	*	12/2019	Dosho	D15/199
D877,222	S	*	3/2020	Abe	D15/199
D877,787	S	*	3/2020	Kinoshita	D15/199
D878,443	S	*	3/2020	Abe	D15/199
D881,251	S	*	4/2020	Abe	D15/199
D883,352	S	*	5/2020	Abe	D15/199

* cited by examiner

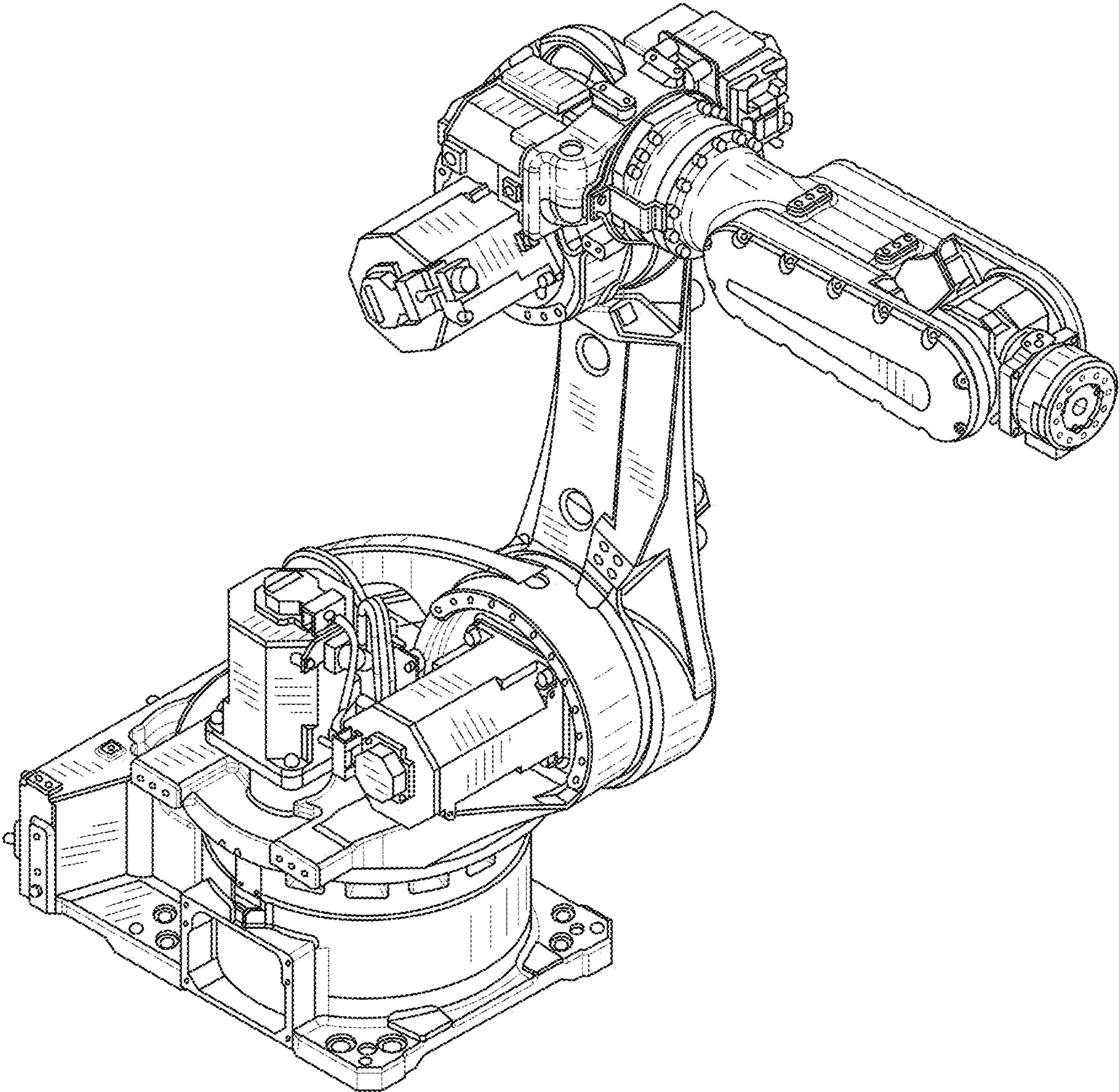


FIG. 1

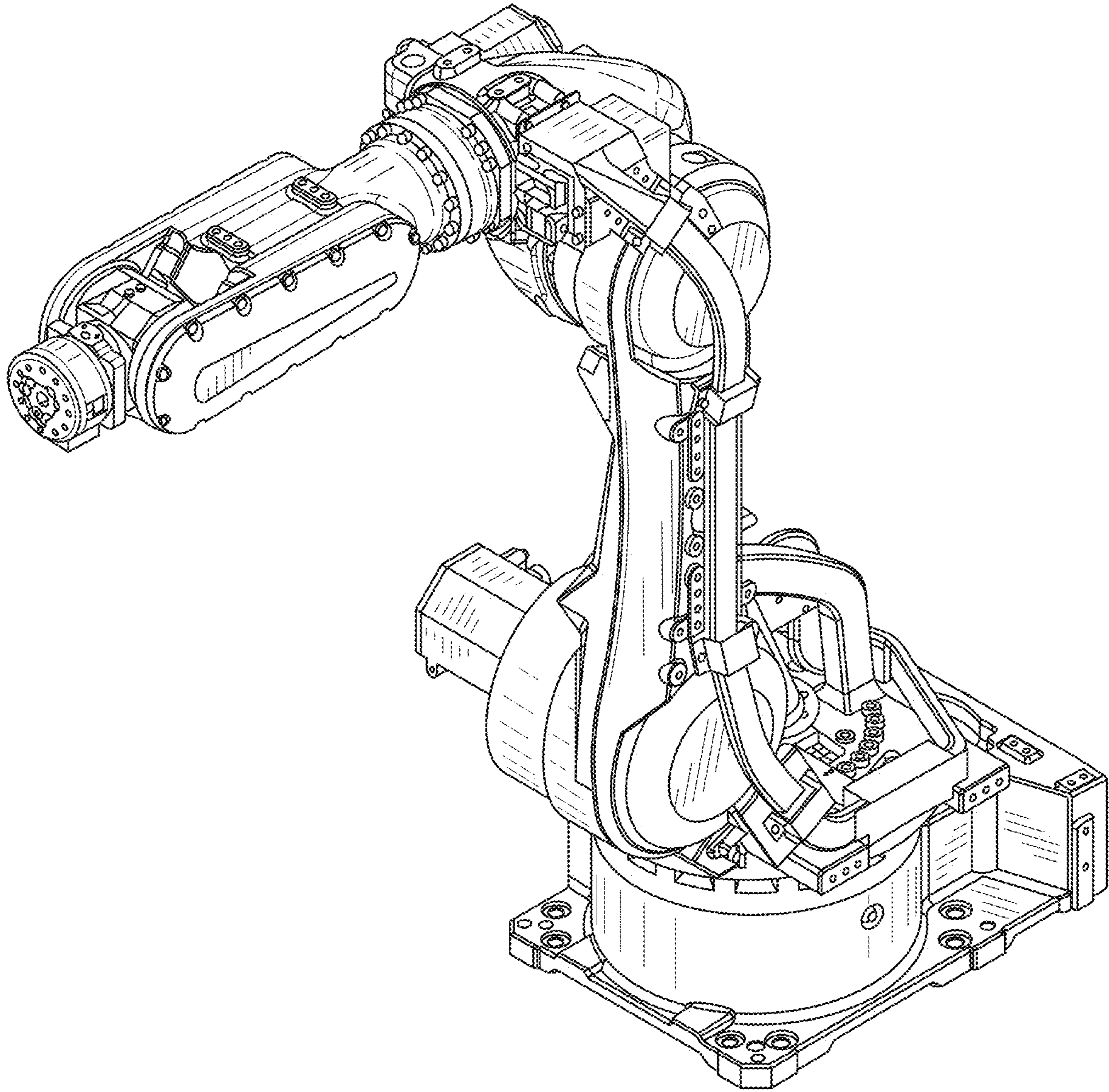


FIG. 2

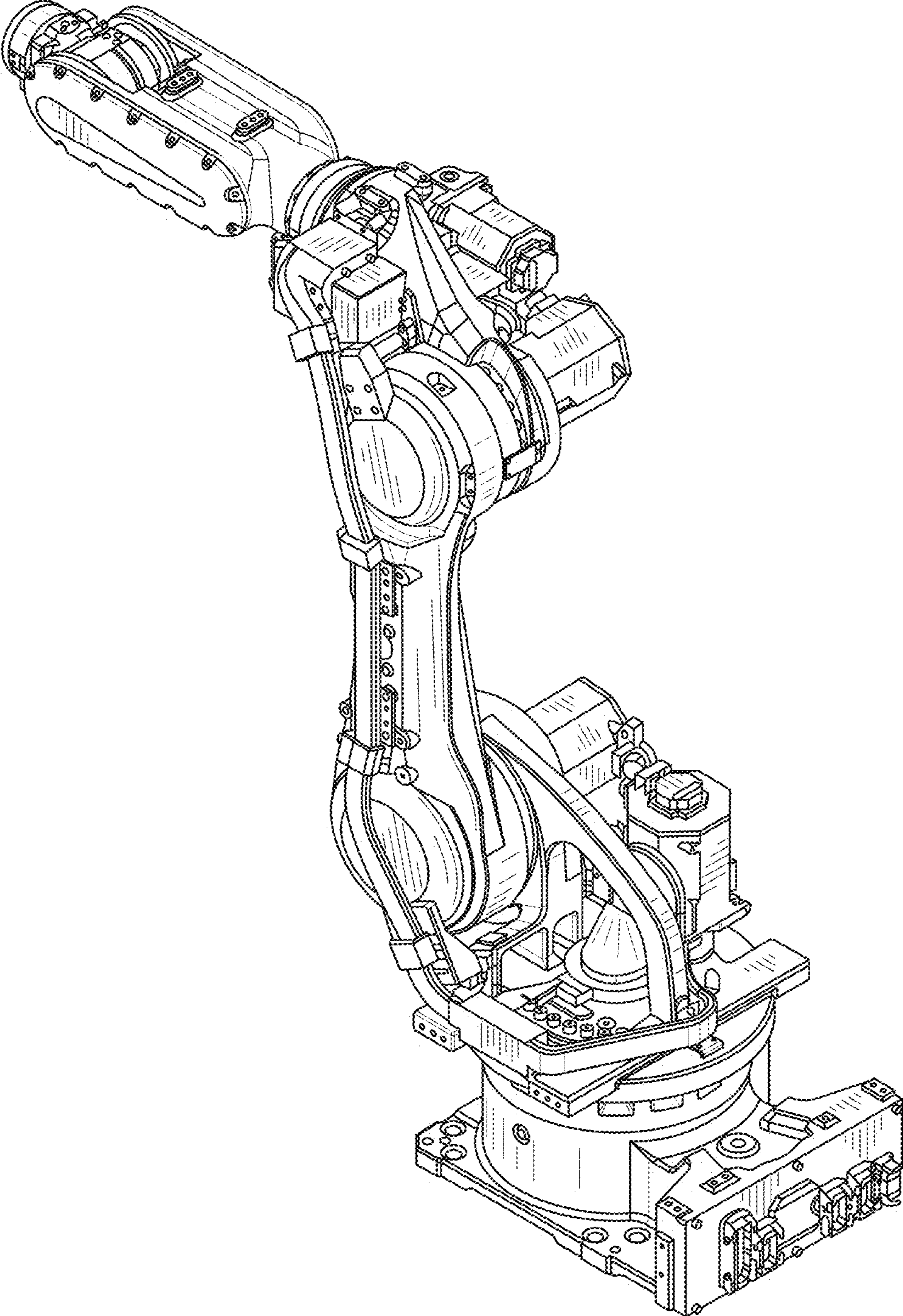


FIG. 3

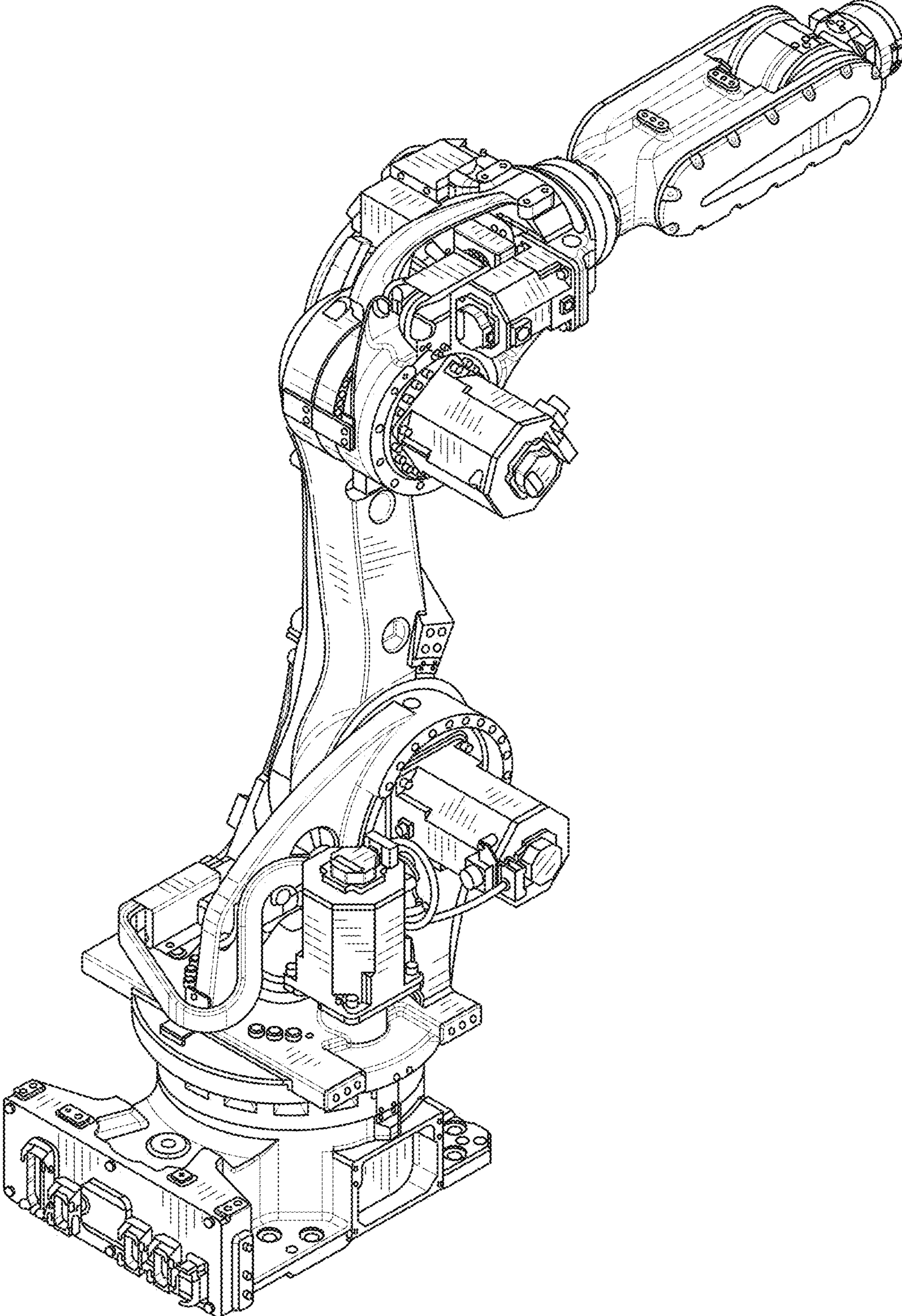


FIG. 4

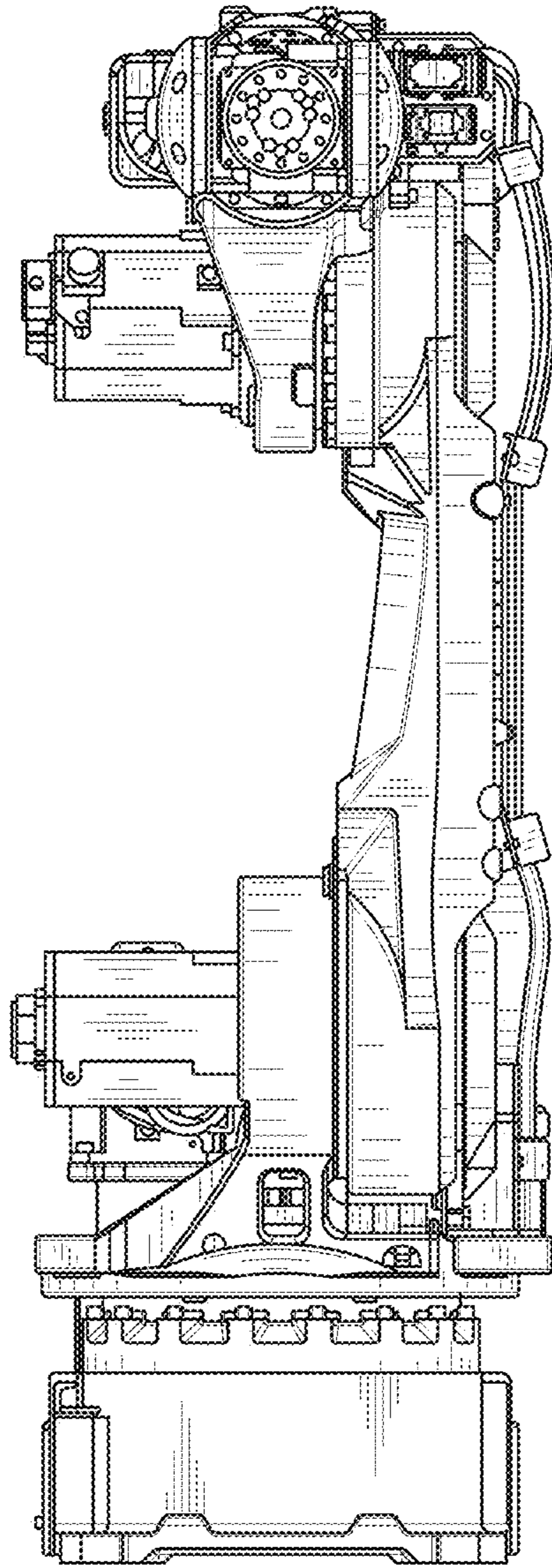


FIG. 5

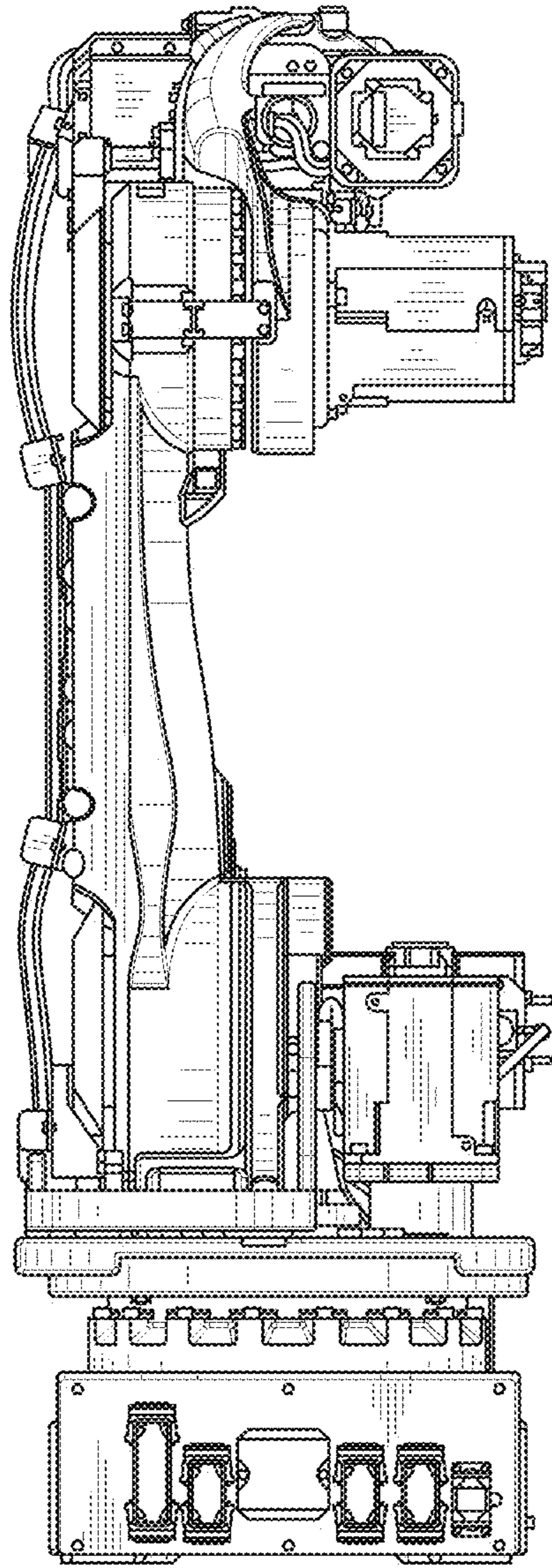


FIG. 6

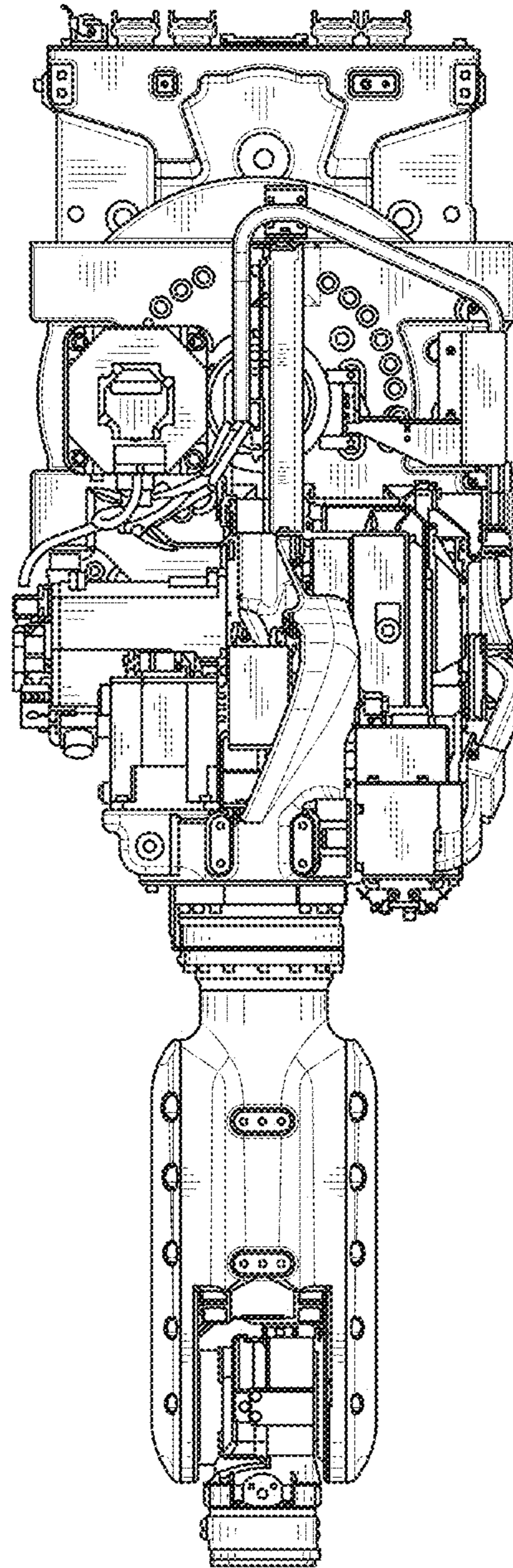


FIG. 7

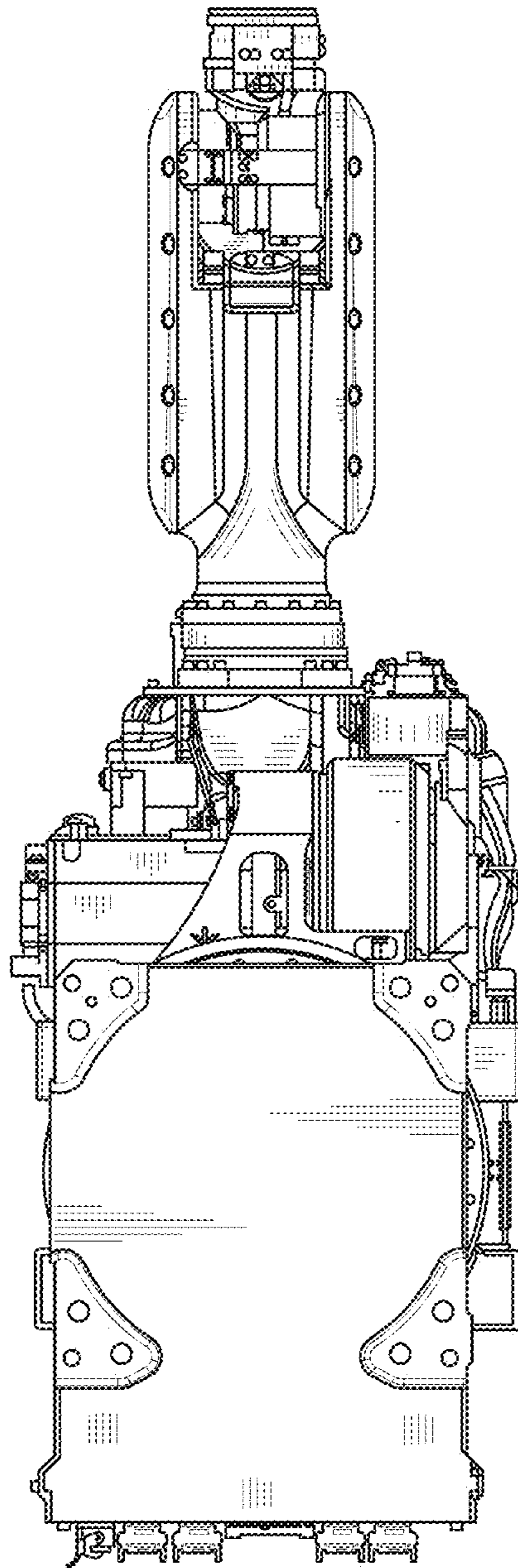


FIG. 8

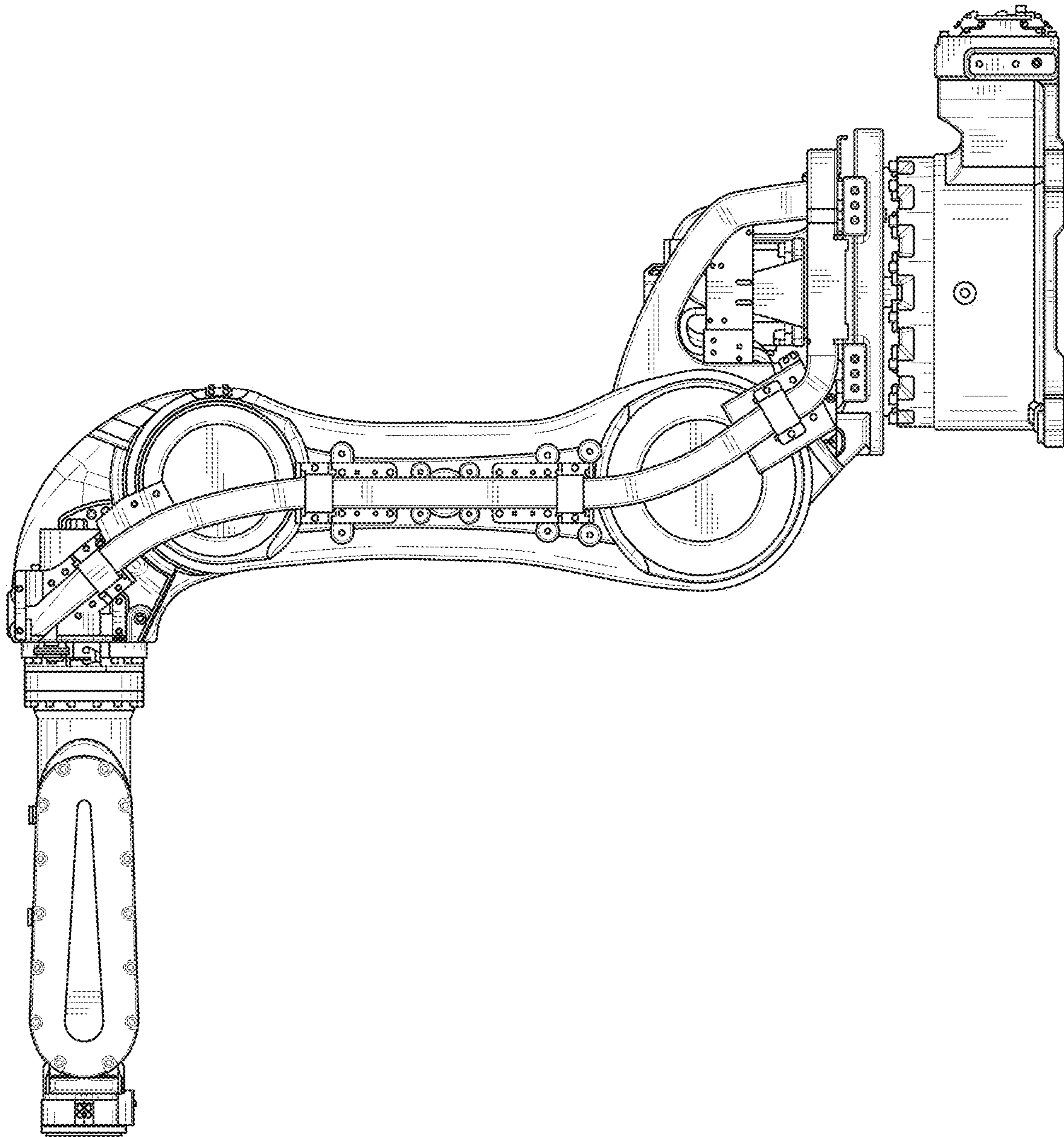


FIG. 9

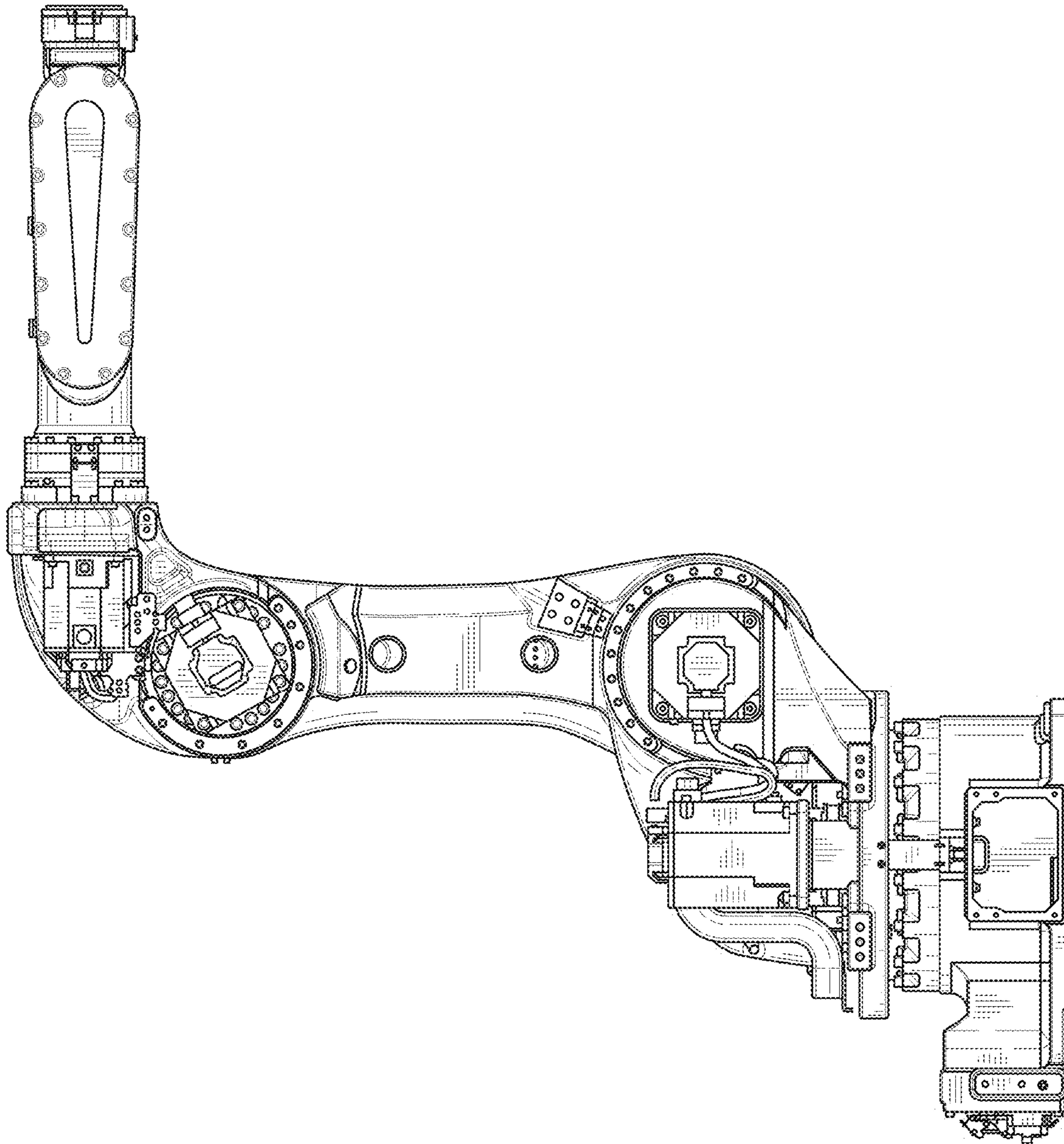


FIG. 10