



US00D896857S

(12) **United States Design Patent**
Gou

(10) **Patent No.:** **US D896,857 S**

(45) **Date of Patent:** **** Sep. 22, 2020**

(54) **CONTROLLING APPARATUS FOR
SOLDERING**

(71) Applicant: **Guangzhou Yihua Electronic
Equipment Co., Ltd.**, Guangzhou,
Guangdong (CN)

(72) Inventor: **Mingkang Gou**, Guangdong (CN)

(73) Assignee: **Guangzhou Yihua Electronic
Equipment Co., Ltd.**, Guangzhou,
Guangdong (CN)

(**) Term: **15 Years**

(21) Appl. No.: **29/689,557**

(22) Filed: **Apr. 30, 2019**

(30) **Foreign Application Priority Data**

Oct. 30, 2018 (EP) 005811999-0001

(51) **LOC (12) Cl.** **15-09**

(52) **U.S. Cl.**
USPC **D15/144; D8/71**

(58) **Field of Classification Search**
USPC D8/29, 29.1, 29.2, 30, 70, 71; D10/46,
D10/50, 78; D13/123, 133; D14/126;
D15/122, 144, 144.1, 144.2; D24/107,
D24/232

CPC B23K 3/027; B23K 3/033; B23K 3/0369;
B23K 3/08; B23K 3/0338; G05D 23/2401
See application file for complete search history.

(56) **References Cited**

U.S. PATENT DOCUMENTS

D205,945 S * 10/1966 Brassaw D8/71
D219,202 S * 11/1970 Sylvester D8/71
D223,101 S * 3/1972 Sylvester D8/71
D264,174 S * 5/1982 Fielder D8/71

D264,175 S * 5/1982 Fielder D8/71
D536,718 S * 2/2007 Murray D15/144.2
D594,046 S * 6/2009 Kita D15/144
D832,321 S * 10/2018 Gou D15/144
D832,322 S * 10/2018 Gou D15/144
D832,901 S * 11/2018 Gou D15/144

FOREIGN PATENT DOCUMENTS

CN 2015-48608 T * 2/2013
CN 2018-62950 * 8/2018

OTHER PUBLICATIONS

Stahl Tools Variable Temperature Soldering Iron Station, posted on parts-express.com, earliest reviewed May 28, 2009, no production date given, [online], [site visited Apr. 24, 2020], URL: <https://www.parts-express.com/stahl-tools-stsvt-variable-temperature-soldering-iron-station--374-100> (Year: 2009).*

* cited by examiner

Primary Examiner — Michael C Stout
Assistant Examiner — Fitzgerald L Butac

(74) *Attorney, Agent, or Firm* — Lucas & Mercanti, LLP

(57) **CLAIM**

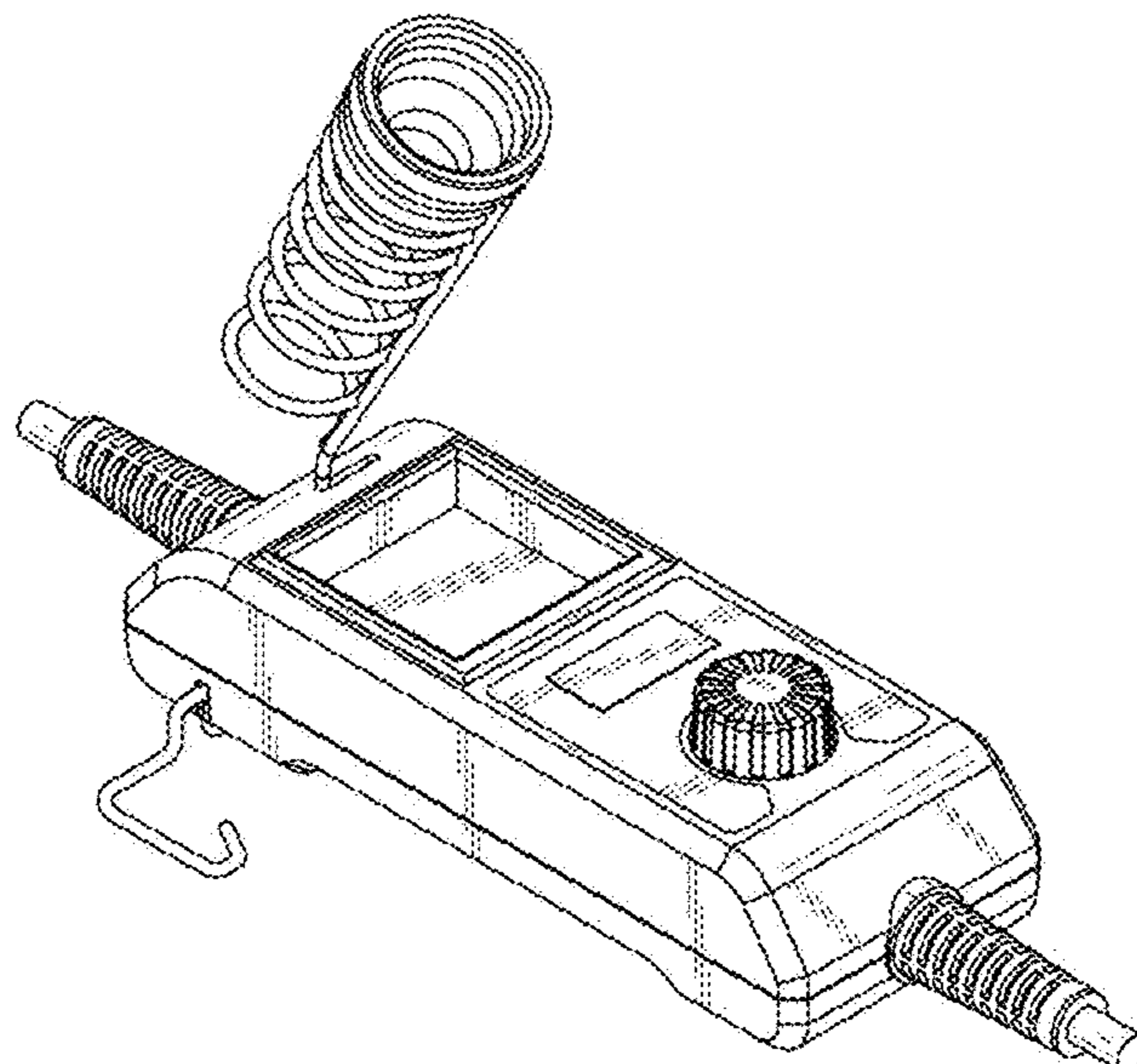
The ornamental design for a controlling apparatus for soldering, as shown and described.

DESCRIPTION

FIG. 1 is a perspective view of the controlling apparatus. FIG. 2 is a front view thereof; FIG. 3 is a rear view thereof; FIG. 4 is a left side view thereof; FIG. 5 is a right side view thereof; FIG. 6 is a top view thereof; and, FIG. 7 is a bottom view thereof.

The broken lines show portions of a controlling apparatus for soldering which form no part of the claimed design.

1 Claim, 7 Drawing Sheets



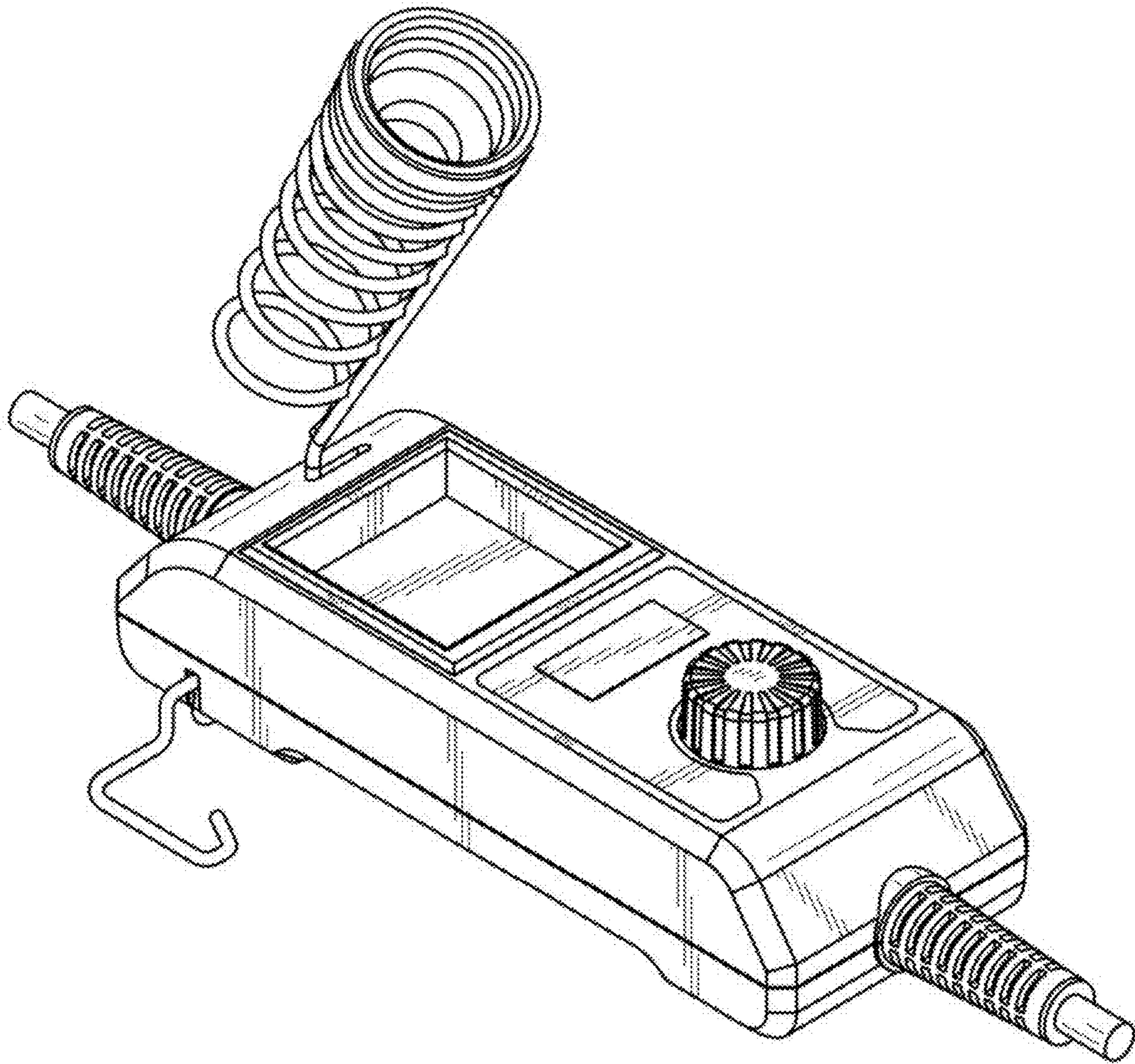


FIG. 1

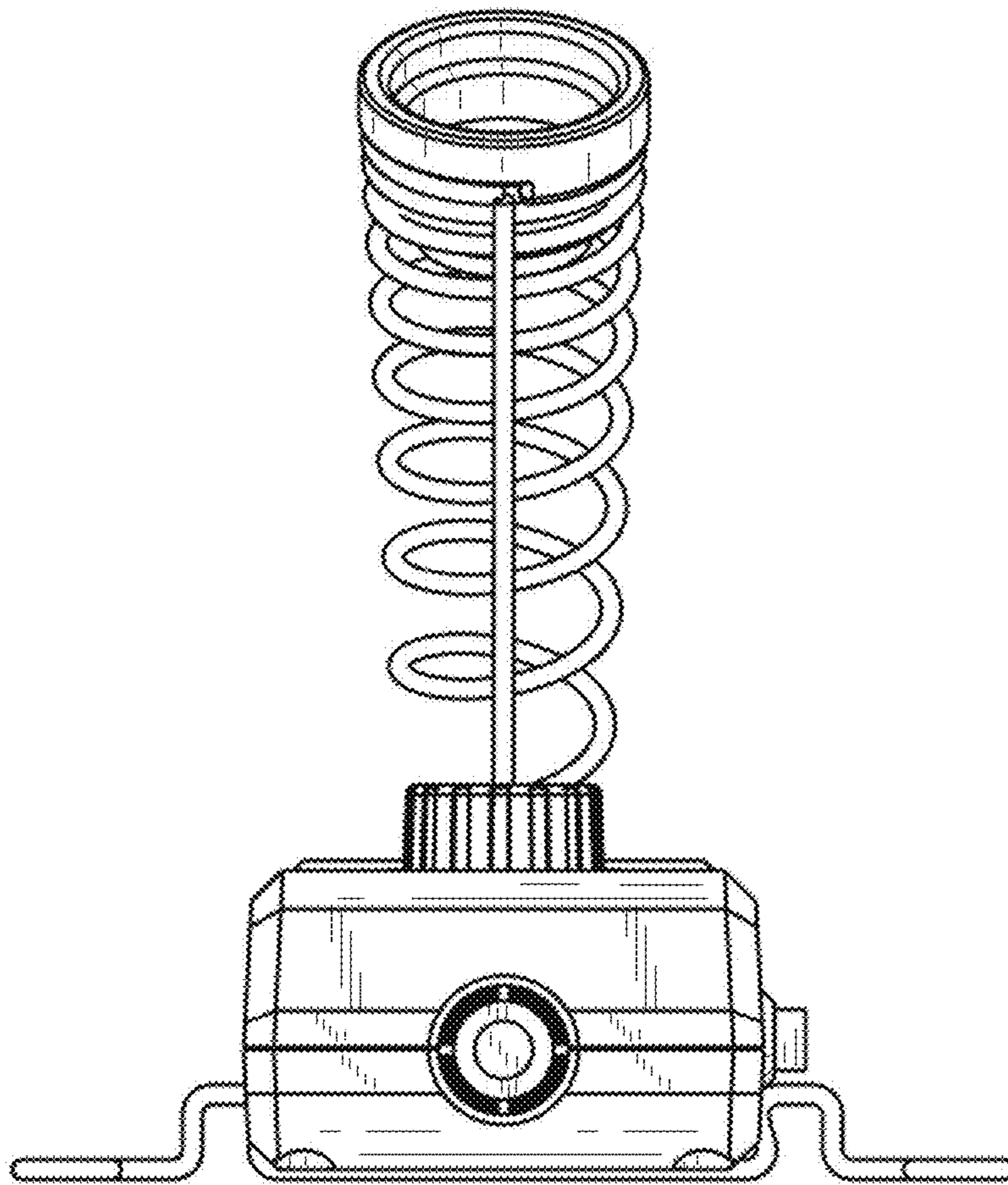


FIG. 2

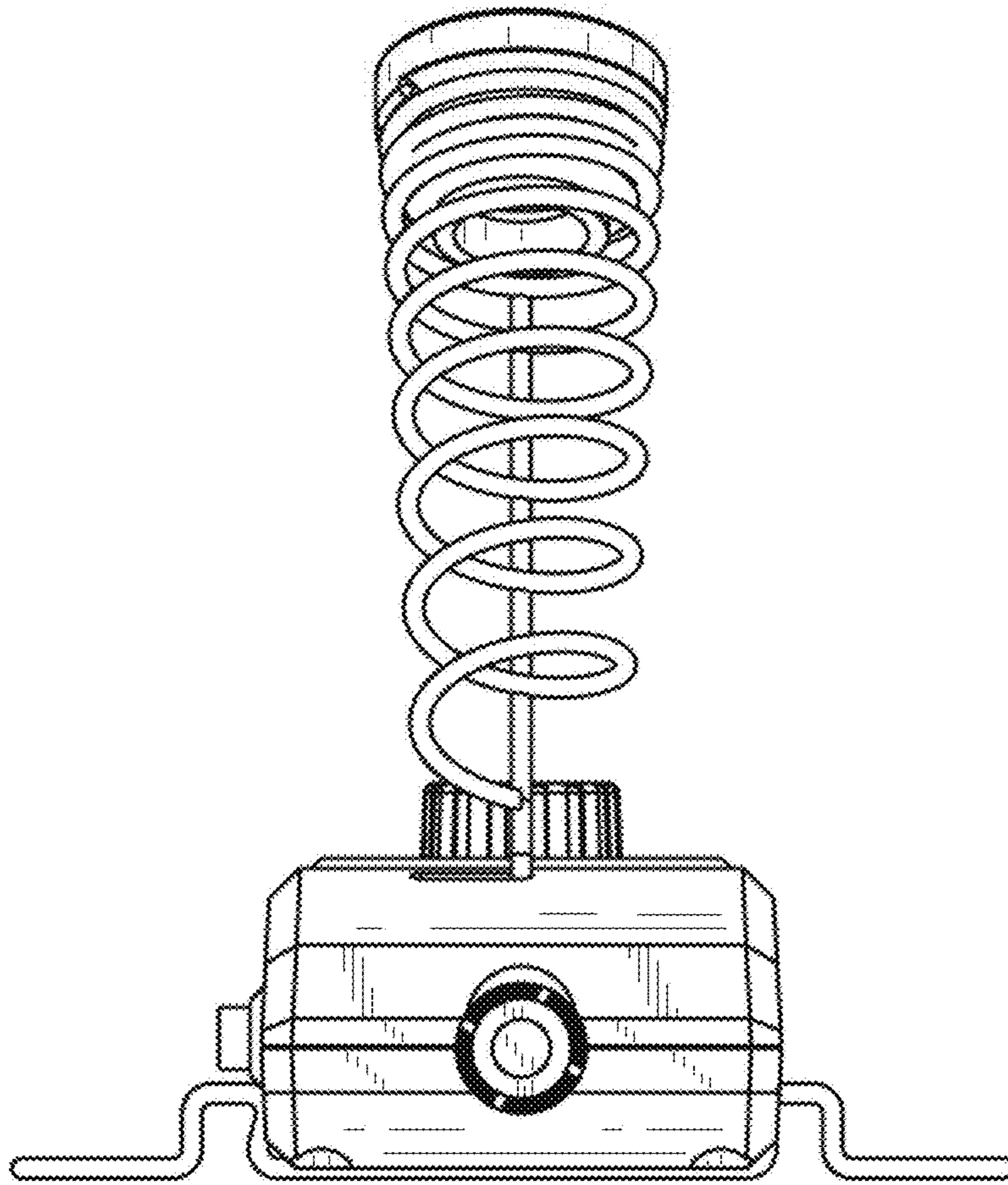


FIG. 3

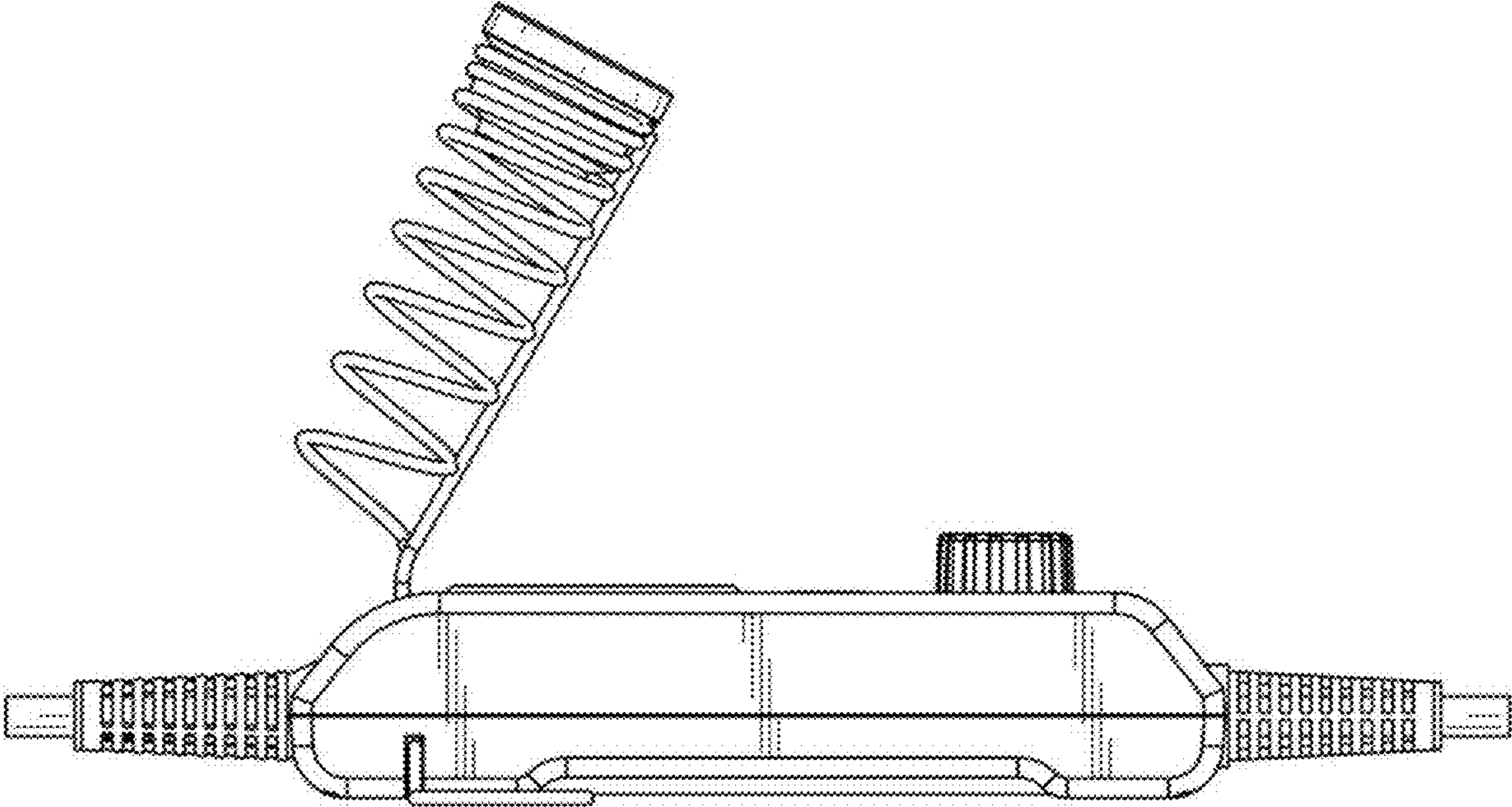


FIG. 4

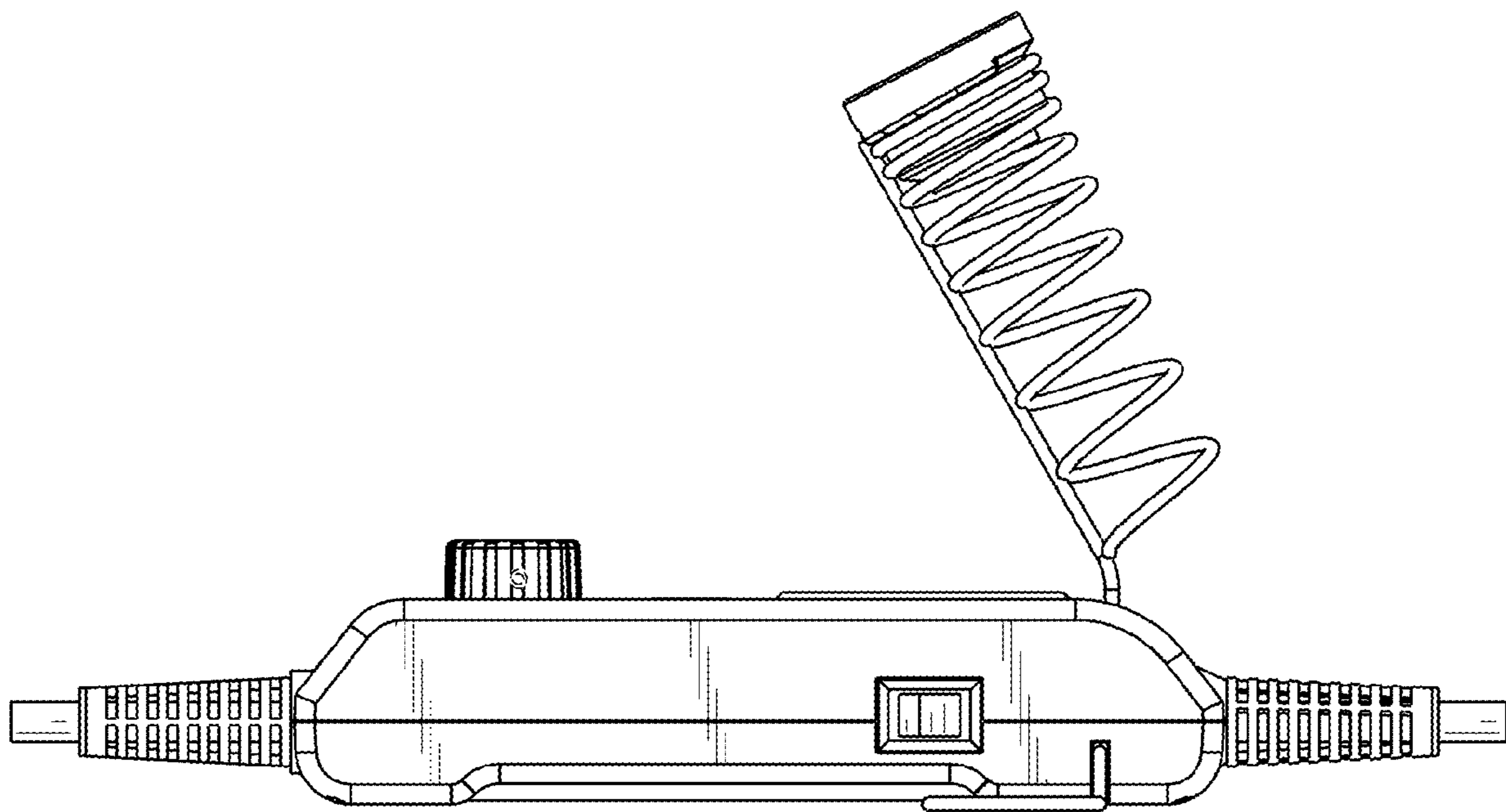


FIG. 5

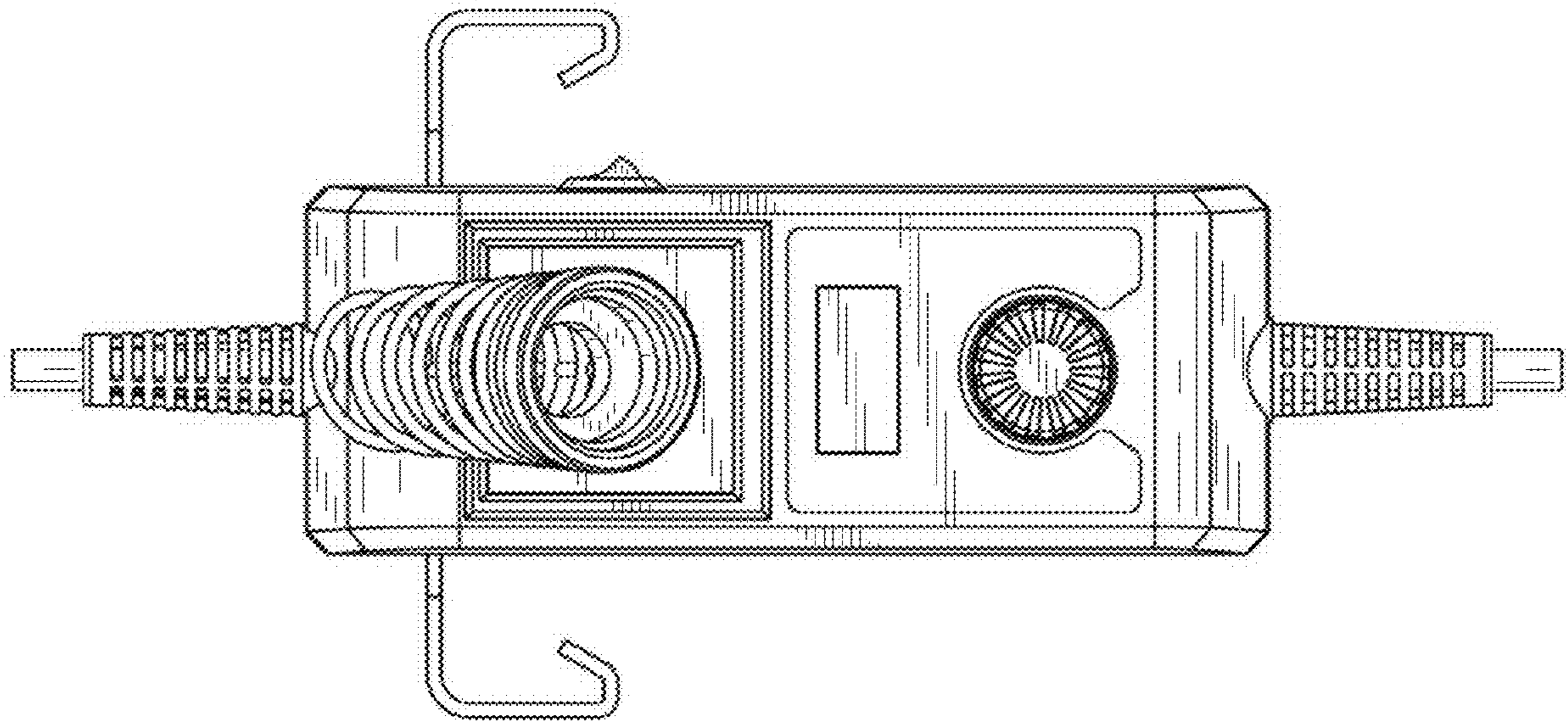


FIG. 6

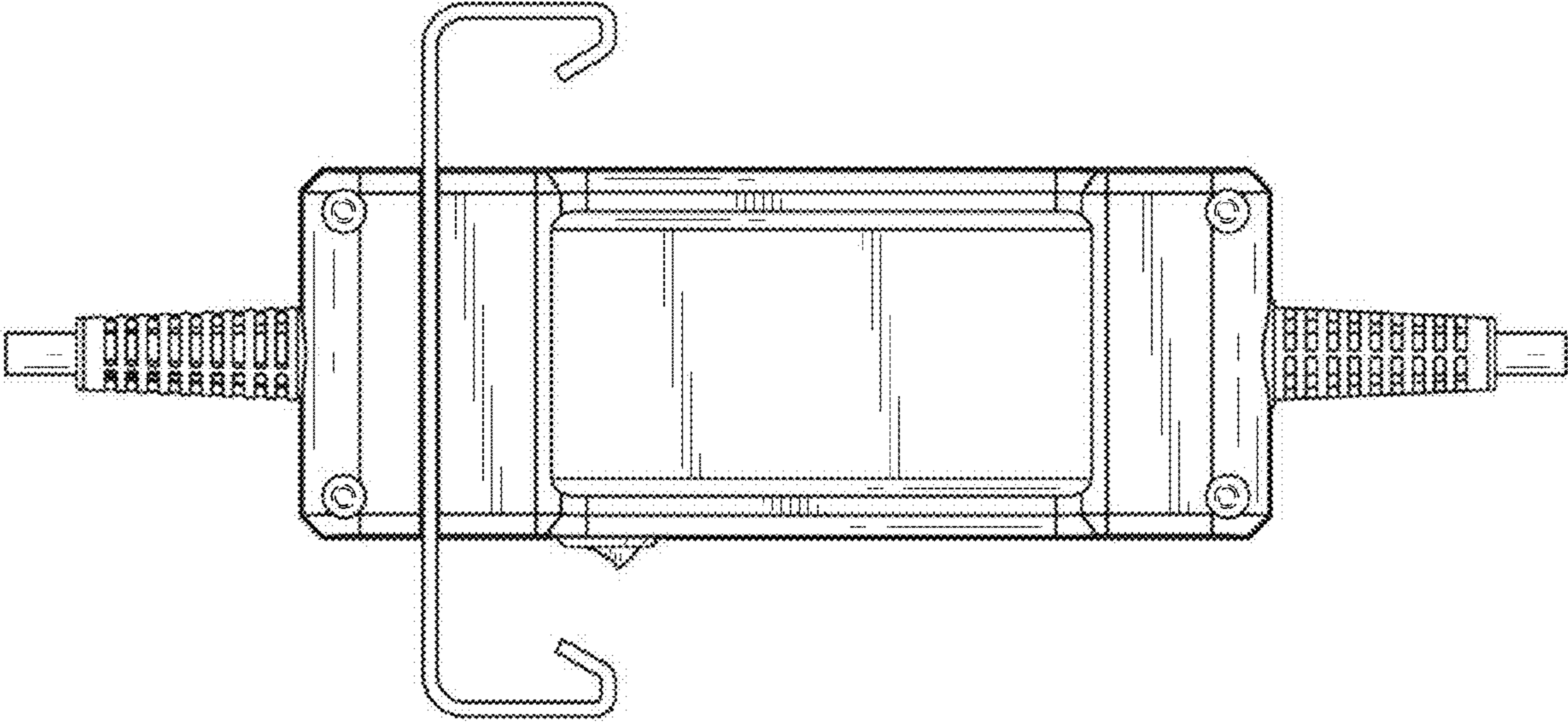


FIG. 7