



US00D896855S

(12) **United States Design Patent** (10) **Patent No.:** **US D896,855 S**
Kil (45) **Date of Patent:** **** Sep. 22, 2020**

(54) **SEWING MACHINE**

(71) Applicant: **BROTHER INDUSTRIES, LTD.**,
Nagoya-shi, Aichi-ken (JP)

(72) Inventor: **Jihoon Kil**, Nagoya (JP)

(73) Assignee: **BROTHER INDUSTRIES, LTD.**,
Nagoya (JP)

(**) Term: **15 Years**

(21) Appl. No.: **29/684,478**

(22) Filed: **Mar. 21, 2019**

(51) **LOC (12) Cl.** **15-03**

(52) **U.S. Cl.**
USPC **D15/69**

(58) **Field of Classification Search**
USPC D15/66-78
CPC D05B 1/00-25/00
See application file for complete search history.

(56) **References Cited**

U.S. PATENT DOCUMENTS

D285,571 S *	9/1986	Eguchi	D15/69
D291,999 S *	9/1987	Yoneda	D15/69
4,966,089 A *	10/1990	Hanyu	D05B 73/00 112/258
D321,353 S *	11/1991	Eguchi	D15/69
D430,886 S *	9/2000	Yamamoto	D15/69
D450,720 S *	11/2001	Kuroki	D15/69
D459,369 S *	6/2002	Yamamoto	D15/69
D504,444 S *	4/2005	Kuroki	D15/69
D506,478 S *	6/2005	Kuroki	D15/69
D515,108 S *	2/2006	Kawaguchi	D15/69
D516,589 S *	3/2006	Katsuyama	D15/69
D520,027 S *	5/2006	Kuroki	D15/69

D523,030 S *	6/2006	Muto	D15/69
D591,312 S *	4/2009	Mori	D15/69
D629,020 S *	12/2010	Hattori	D15/69
D664,161 S *	7/2012	Asano	D15/69
D679,297 S *	4/2013	Asano	D15/69
D695,322 S *	12/2013	Ormaechea	D15/69
D696,304 S *	12/2013	Ormaechea	D15/69
D724,110 S *	3/2015	Asano	D15/69
D724,111 S *	3/2015	Asano	D15/69
D760,816 S *	7/2016	Asano	D15/69
D765,149 S *	8/2016	Yamamoto	D15/69
D765,150 S *	8/2016	Asano	D15/69
D765,742 S *	9/2016	Asano	D15/69
D769,337 S *	10/2016	Asano	D15/69
D783,687 S *	4/2017	Asano	D15/69
D817,365 S *	5/2018	Kil	D15/69

* cited by examiner

Primary Examiner — Mitchell I. Siegel

(74) *Attorney, Agent, or Firm* — Oliff PLC

(57) **CLAIM**

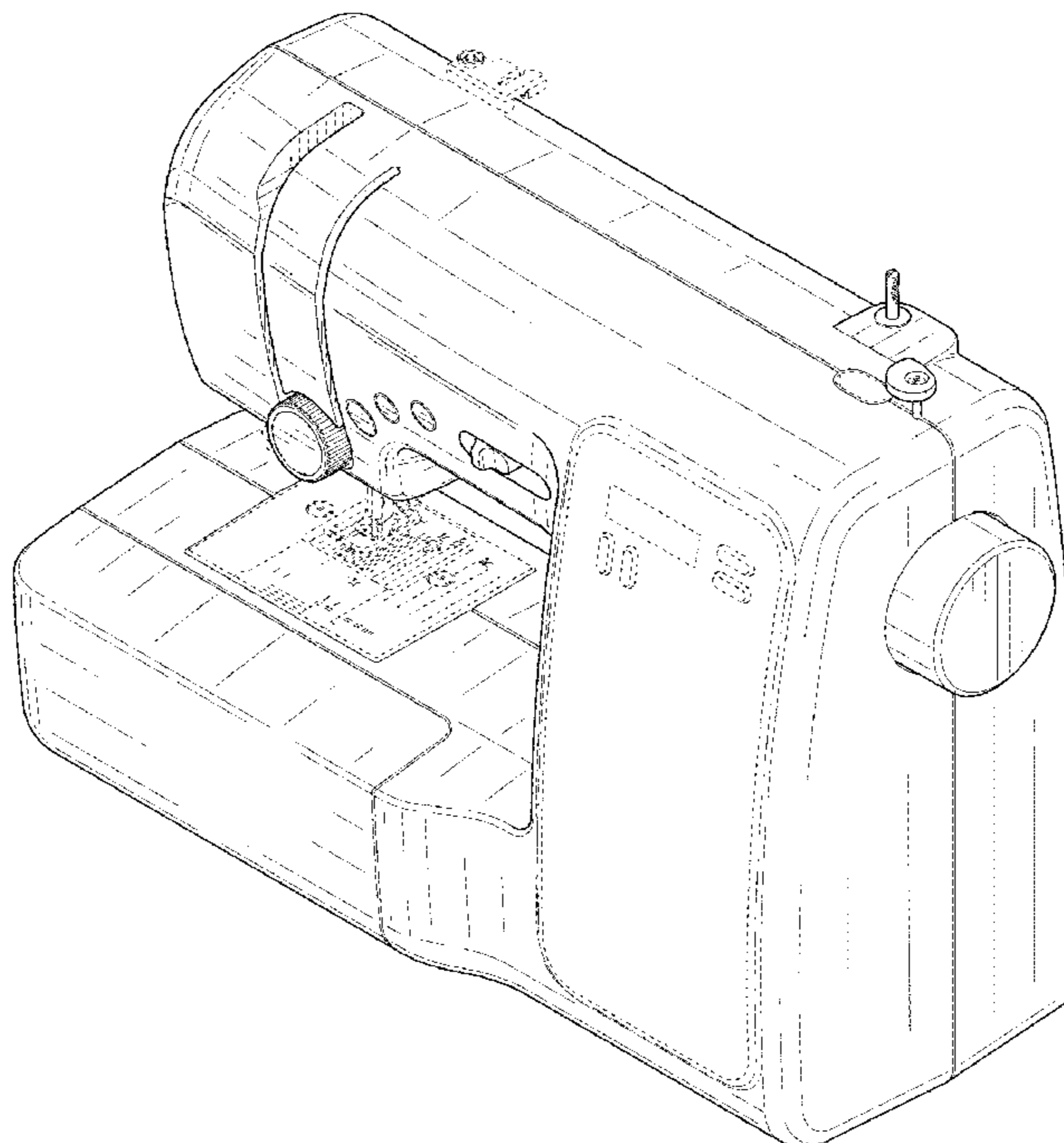
The ornamental design for a sewing machine, as shown and described.

DESCRIPTION

FIG. 1 is a perspective view of the sewing machine;
FIG. 2 is a front elevational view thereof;
FIG. 3 is a top plan view thereof;
FIG. 4 is a left-side elevational view thereof;
FIG. 5 is a right-side elevational view thereof;
FIG. 6 is a rear elevational view thereof; and,
FIG. 7 is a bottom plan view thereof.

The evenly spaced broken lines depict unclaimed parts of the sewing machine and form no part of the claimed design. The dot-dash chain lines depict a boundary of the claimed subject matter and form no part of the claimed design.

1 Claim, 6 Drawing Sheets



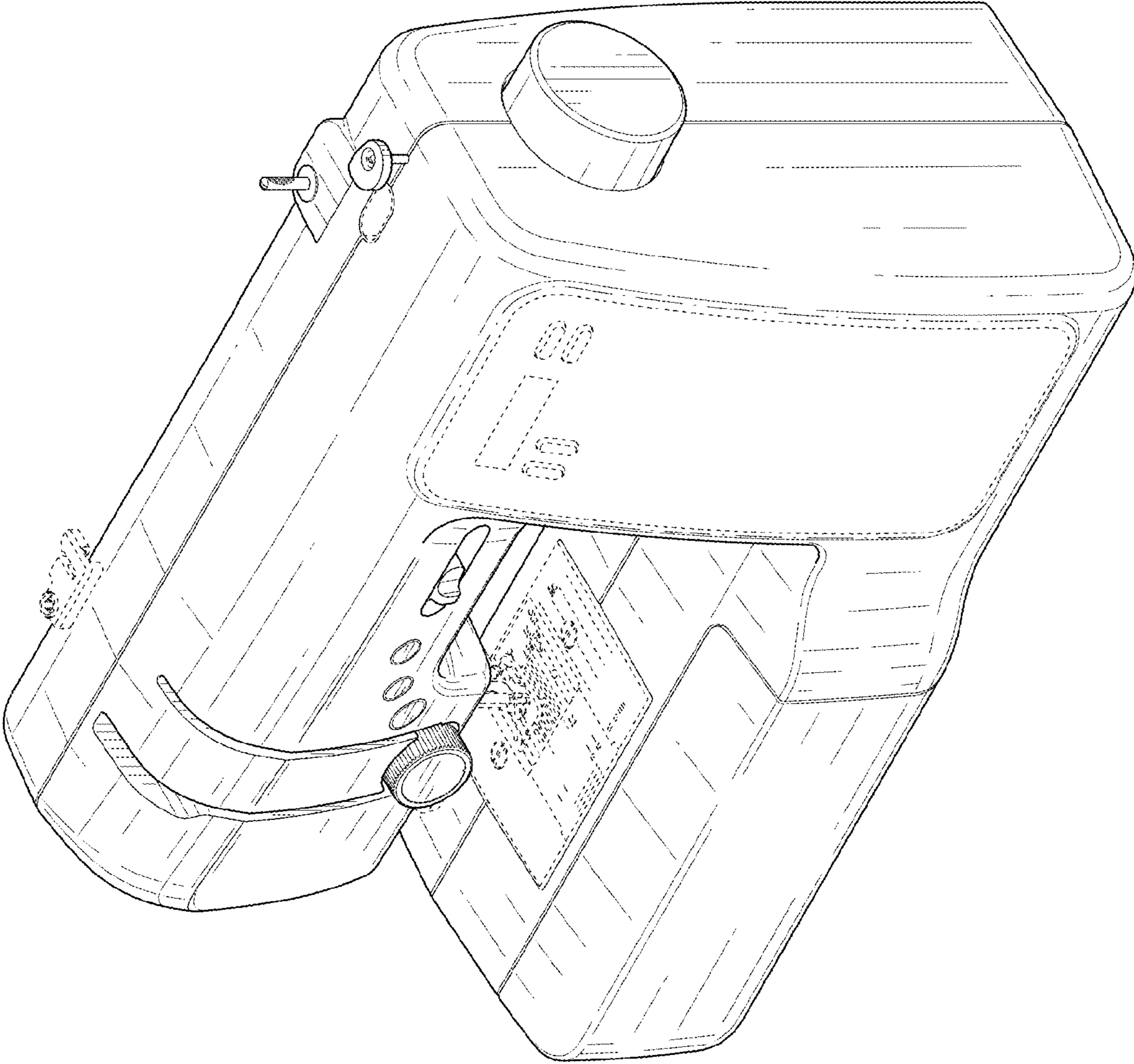


FIG. 1

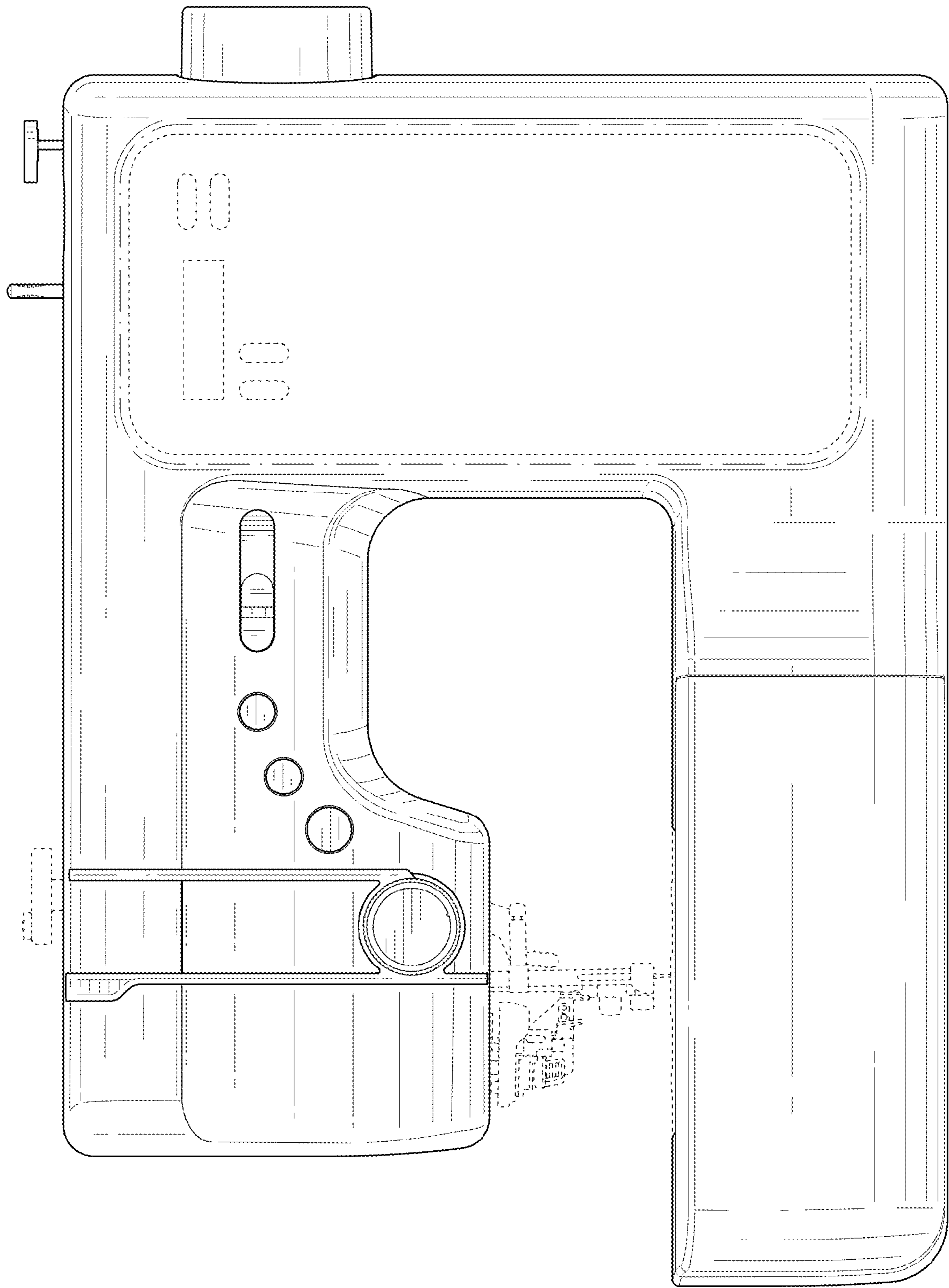


FIG. 2

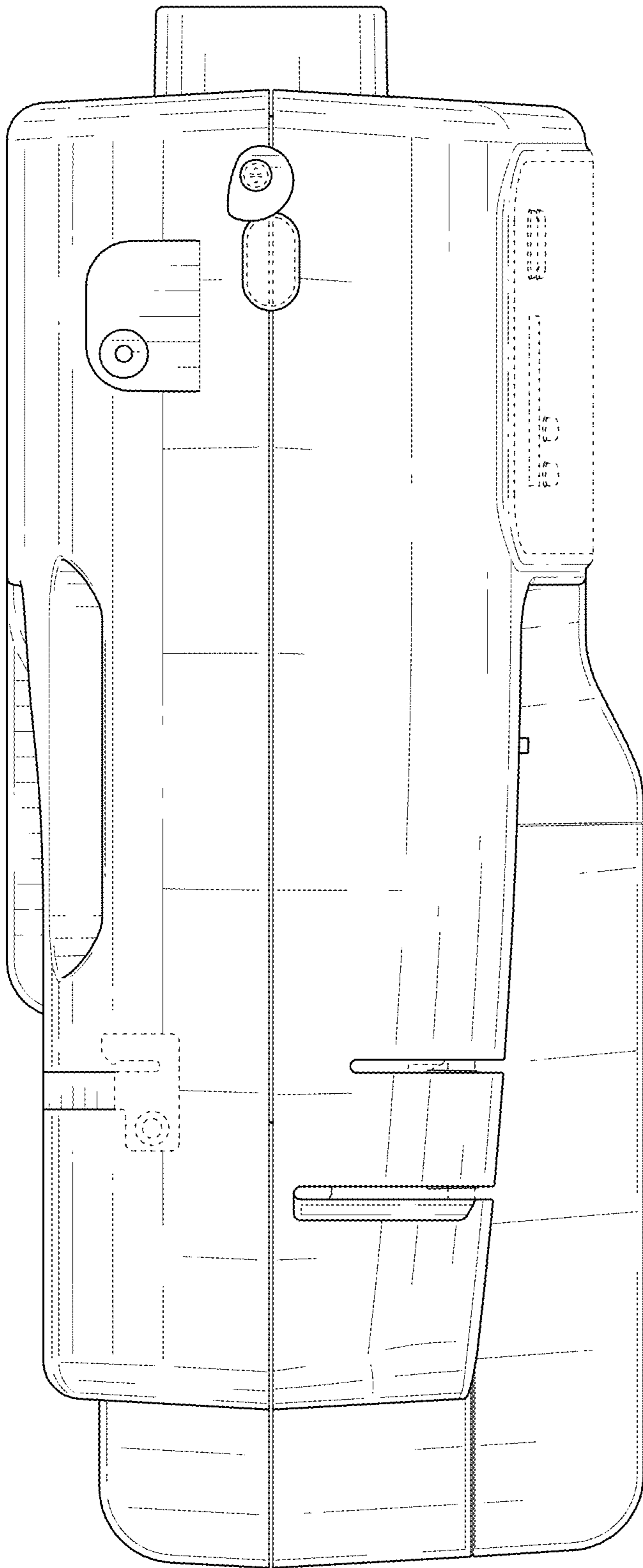


FIG. 3

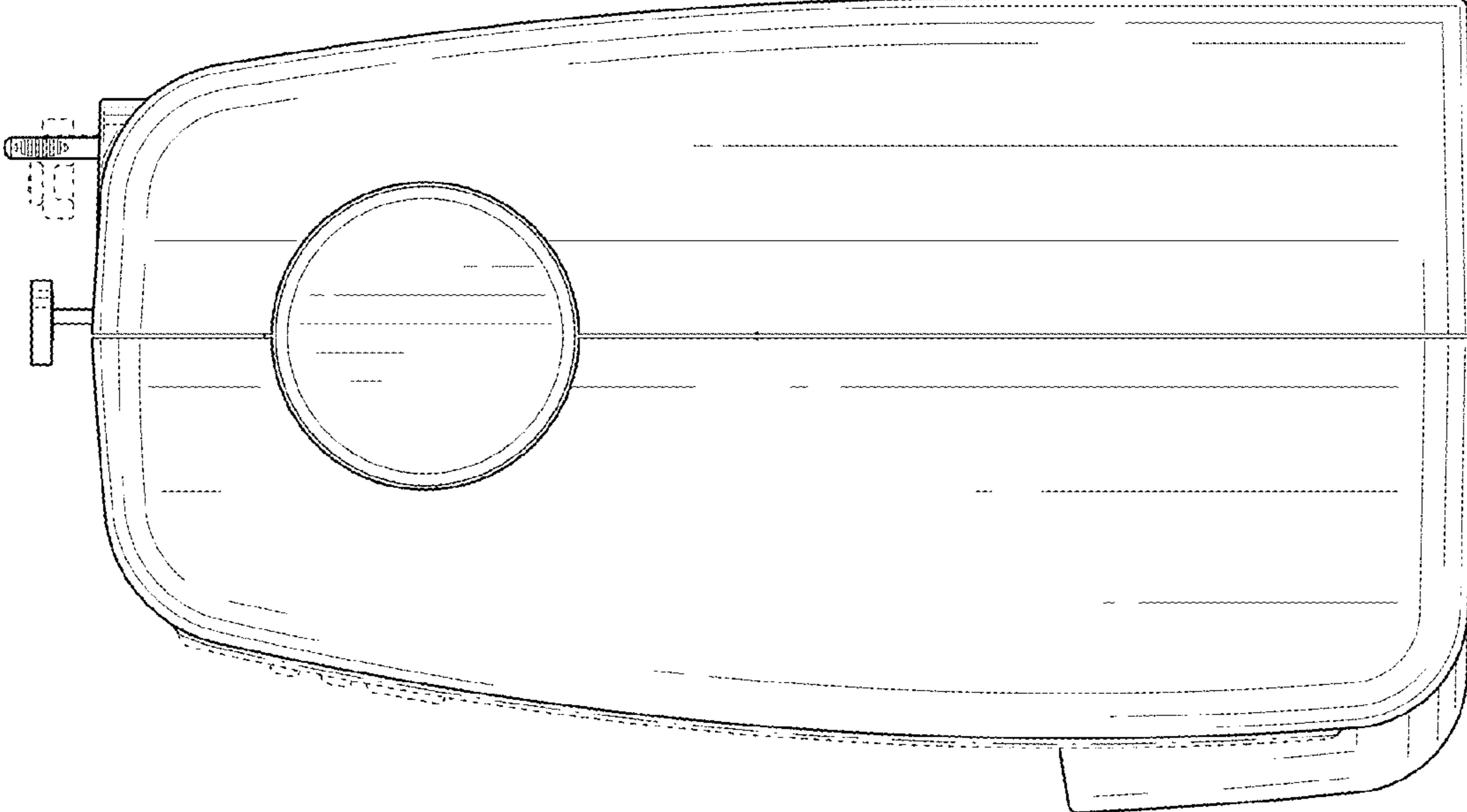


FIG. 5

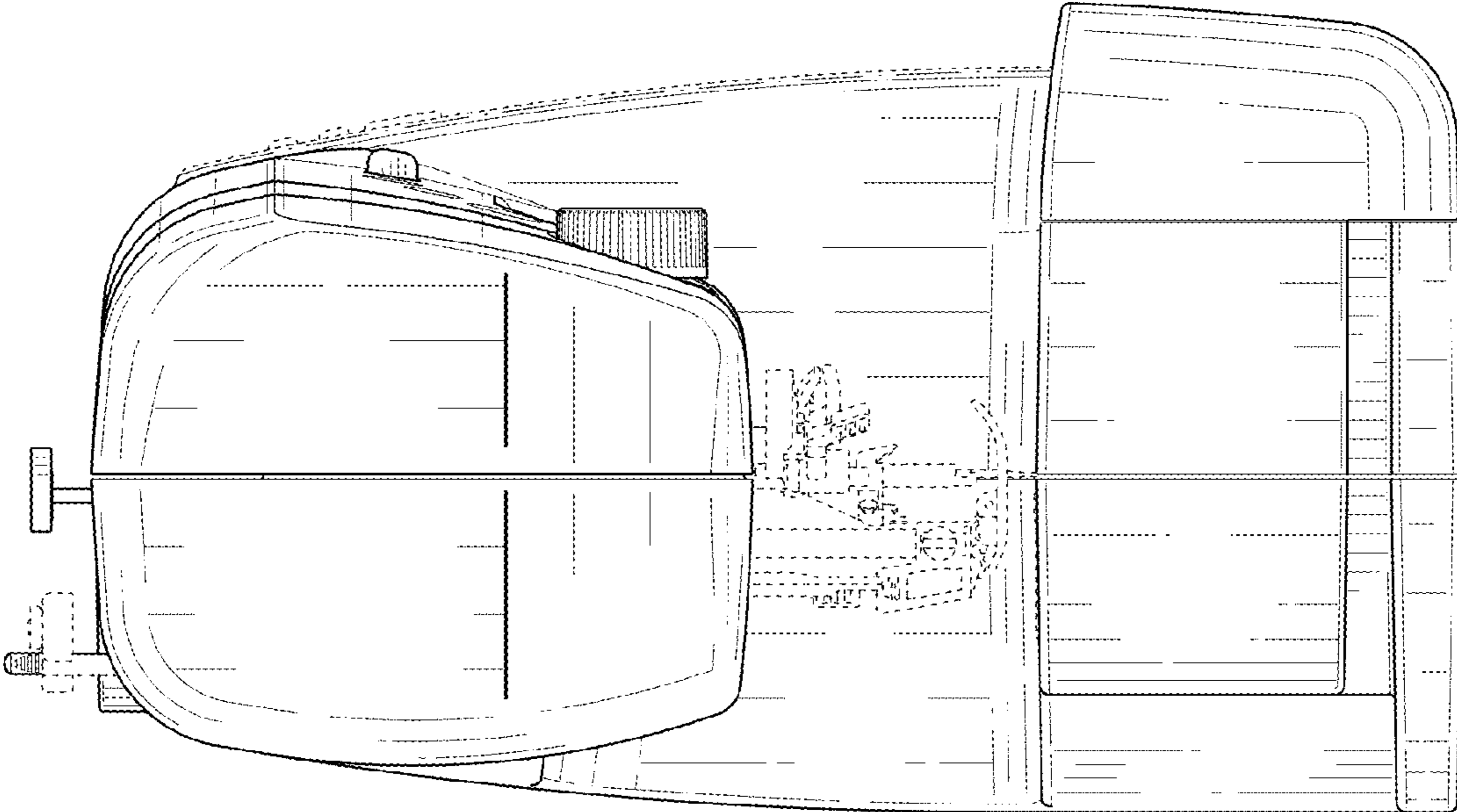


FIG. 4

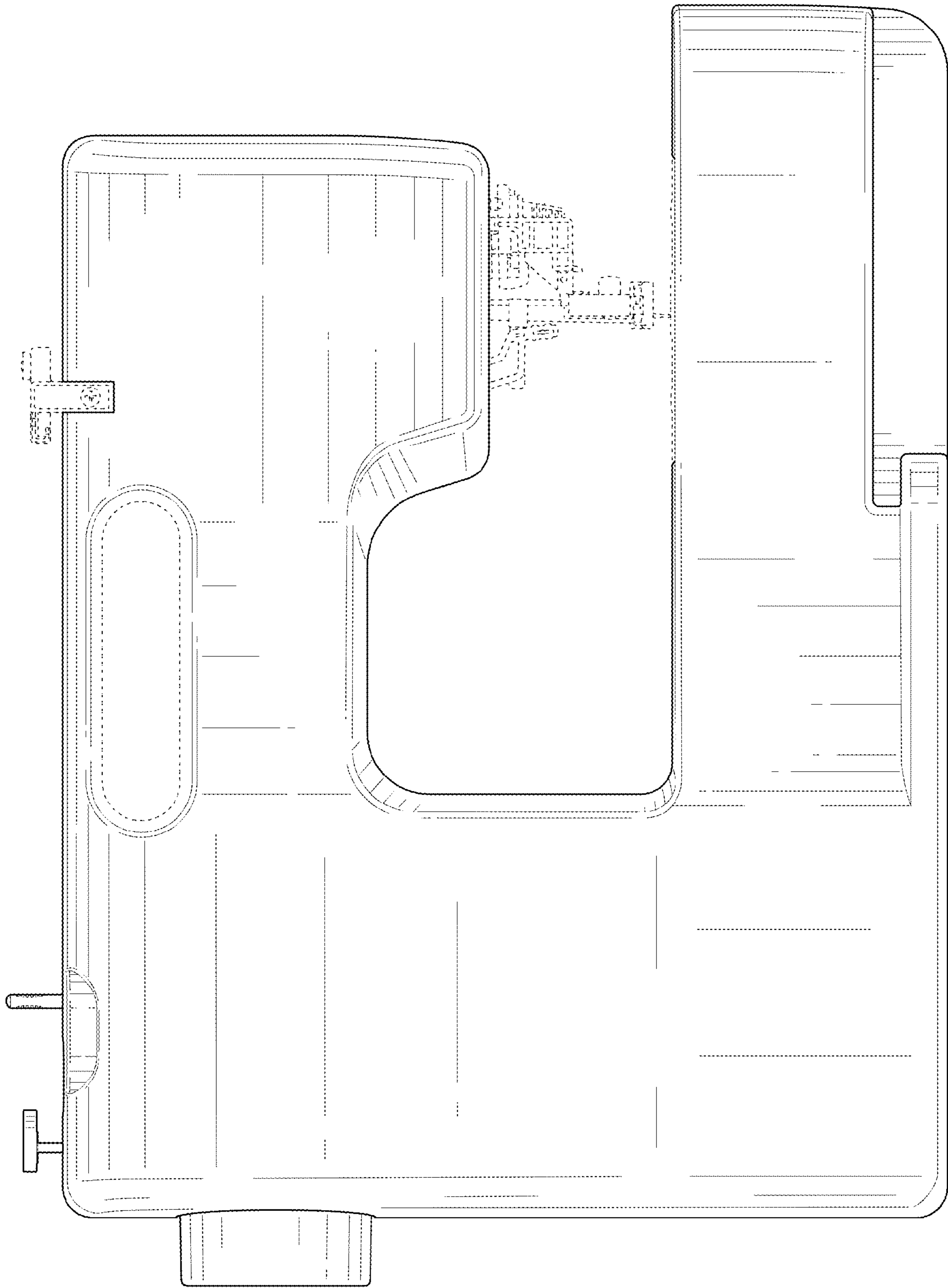


FIG. 6

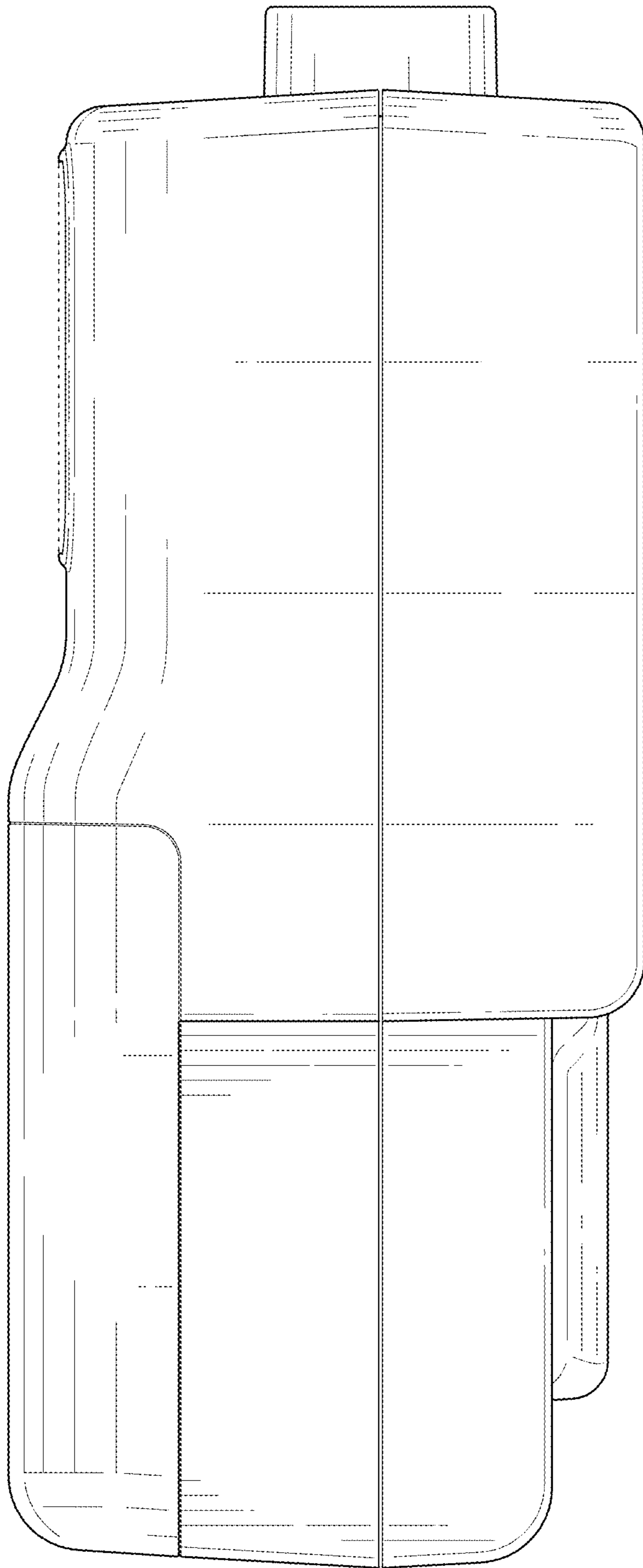


FIG. 7