



US00D896849S

(12) **United States Design Patent**  
**Wu et al.**

(10) **Patent No.:** **US D896,849 S**

(45) **Date of Patent:** **\*\* Sep. 22, 2020**

(54) **WHEEL LOADER**

(71) Applicant: **Caterpillar Inc.**, Deerfield, IL (US)

(72) Inventors: **Xiaodong Wu**, Qingdao (CN); **Wei Zhang**, Qingdao (CN); **Zenggang Li**, Qingdao (CN); **Darren Schambach**, Qingdao (CN)

(73) Assignee: **Caterpillar Inc.**, Peoria, IL (US)

(\*\*) Term: **15 Years**

(21) Appl. No.: **29/694,144**

(22) Filed: **Jun. 7, 2019**

(30) **Foreign Application Priority Data**

Dec. 7, 2018 (CN) ..... 2018 3 0707142

(51) **LOC (12) Cl.** ..... **12-09**

(52) **U.S. Cl.**  
USPC ..... **D15/25**

(58) **Field of Classification Search**

USPC ..... D15/10, 22-26, 33, 28, 31; D21/431;  
37/403, 409, 442, 443; 180/89.1, 89.12,  
180/89.13; 296/190.03; 414/685, 694,  
414/722, 724

CPC ..... E02F 9/0841; E02F 3/3411; E02F 3/76;  
E02F 3/34; E02F 3/00; E02F 7/00; B62D  
21/186; B62D 53/028

See application file for complete search history.

(56) **References Cited**

**U.S. PATENT DOCUMENTS**

D326,858 S \* 6/1992 Skeel ..... D15/25  
D364,408 S \* 11/1995 Bryant ..... D15/25  
D405,807 S \* 2/1999 Amy ..... D15/25  
D410,930 S \* 6/1999 Kim ..... D15/25  
D540,352 S \* 4/2007 Sato ..... D15/25  
D549,738 S \* 8/2007 Hiraoka ..... D15/25

D590,846 S \* 4/2009 Kinsinger ..... D15/22  
D652,061 S \* 1/2012 Hiraoka ..... D15/23  
D652,062 S \* 1/2012 Hiraoka ..... D15/23  
D682,889 S \* 5/2013 Iwata ..... D15/25  
D693,853 S \* 11/2013 Hiraoka ..... D15/23  
D705,273 S \* 5/2014 Furuki ..... D15/25  
D708,232 S \* 7/2014 Furuki ..... D15/23  
D756,420 S \* 5/2016 Okuyama ..... D15/23  
D758,457 S \* 6/2016 Okuyama ..... D15/23  
D819,087 S \* 5/2018 Ulmefors ..... D15/25

(Continued)

**FOREIGN PATENT DOCUMENTS**

EM 000878707-0001 2/2008  
EM 000878707-0002 2/2008

(Continued)

*Primary Examiner* — Mark A Goodwin

(57) **CLAIM**

The ornamental design for a wheel loader, as shown and described.

**DESCRIPTION**

The patent or application file contains at least one drawing executed in color. Copies of this patent or patent application publication with color drawing(s) will be provided by the Office upon request and payment of the necessary fee.

FIG. 1 is a front, perspective view of a wheel loader showing our new design;

FIG. 2 is a rear, perspective view thereof;

FIG. 3 is a front view thereof;

FIG. 4 is a rear view thereof;

FIG. 5 is a left side view thereof;

FIG. 6 is a right side view thereof; and,

FIG. 7 is a top view thereof.

The drawings include shadows and reflections which indicate contour, not surface ornamentation.

**1 Claim, 7 Drawing Sheets**  
**(7 of 7 Drawing Sheet(s) Filed in Color)**



(56)

**References Cited**

U.S. PATENT DOCUMENTS

D819,705 S \* 6/2018 Ulmefors ..... D15/25  
2015/0275480 A1\* 10/2015 Iwamoto ..... E02F 9/16  
180/291  
2015/0361636 A1\* 12/2015 Yoshizawa ..... E02F 3/422  
701/50

FOREIGN PATENT DOCUMENTS

EM 002176347-0001 1/2013  
EM 002176347-0002 1/2013  
EM 002176347-0003 1/2013  
EM 002176347-0004 1/2013  
EM 002176347-0005 1/2013  
EM 002176347-0006 1/2013  
EM 002176347-0007 1/2013  
EM 002176347-0008 1/2013  
EM 002176347-0009 1/2013

\* cited by examiner



FIG. 1

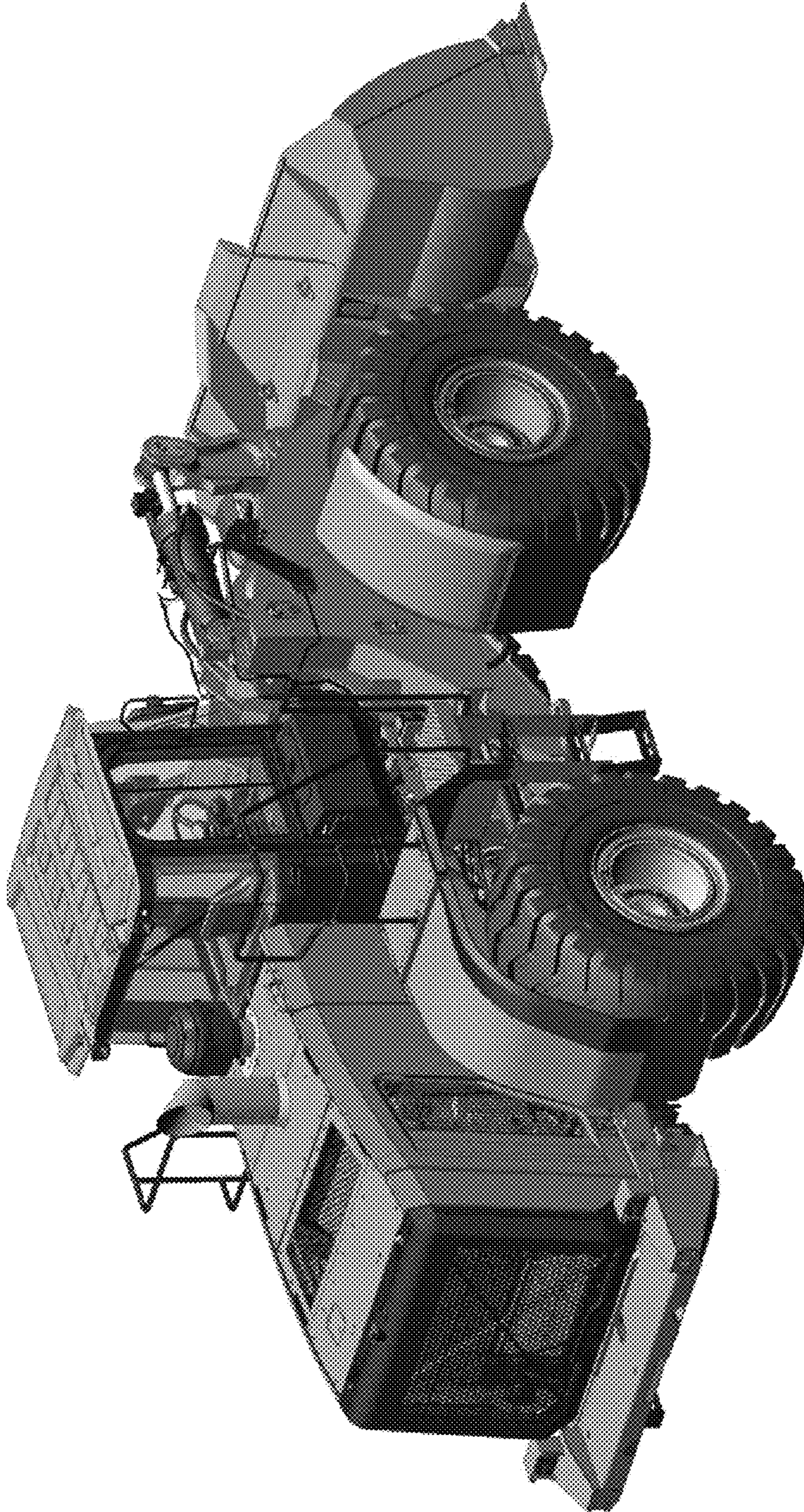


FIG. 2

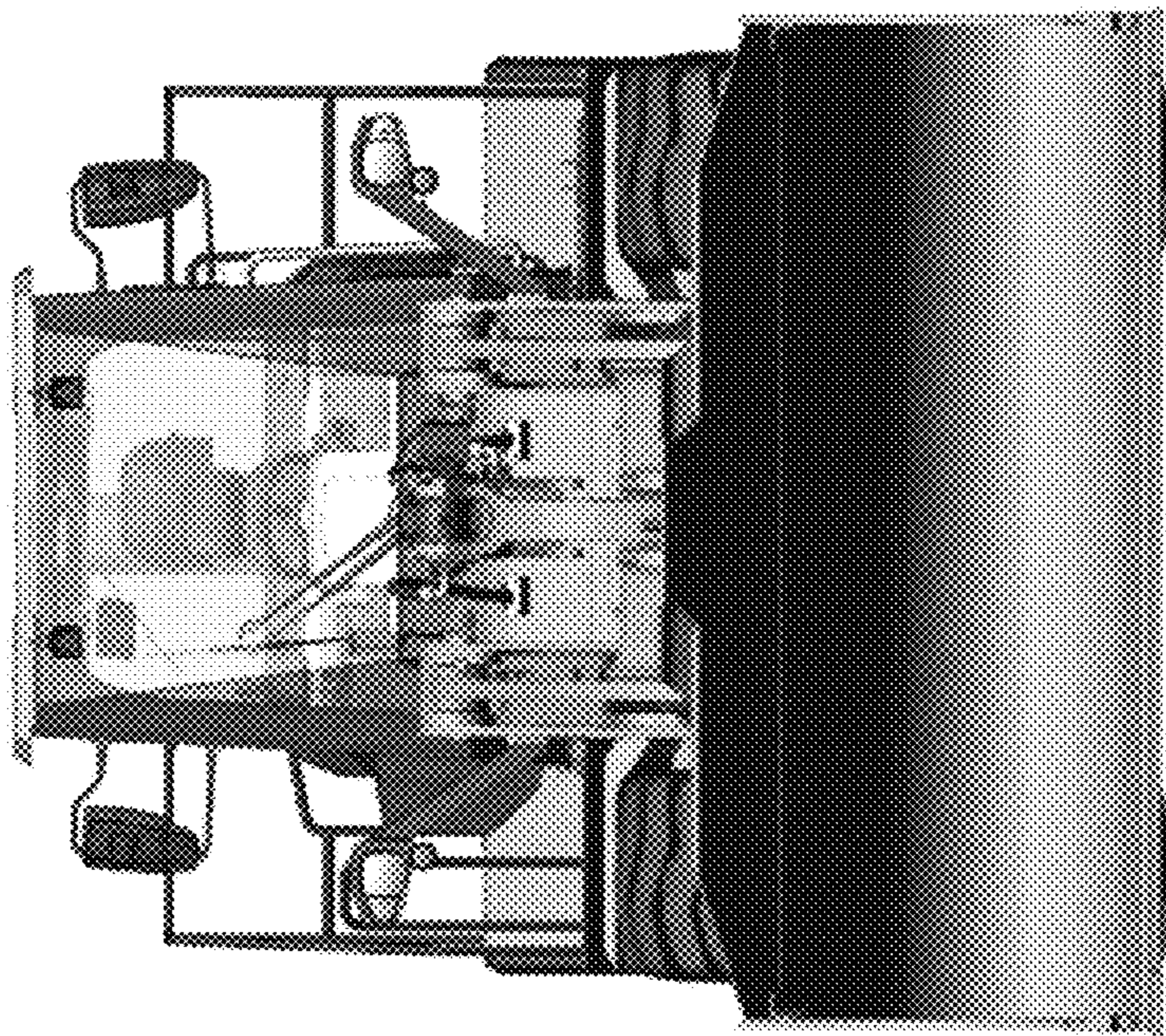


FIG. 3

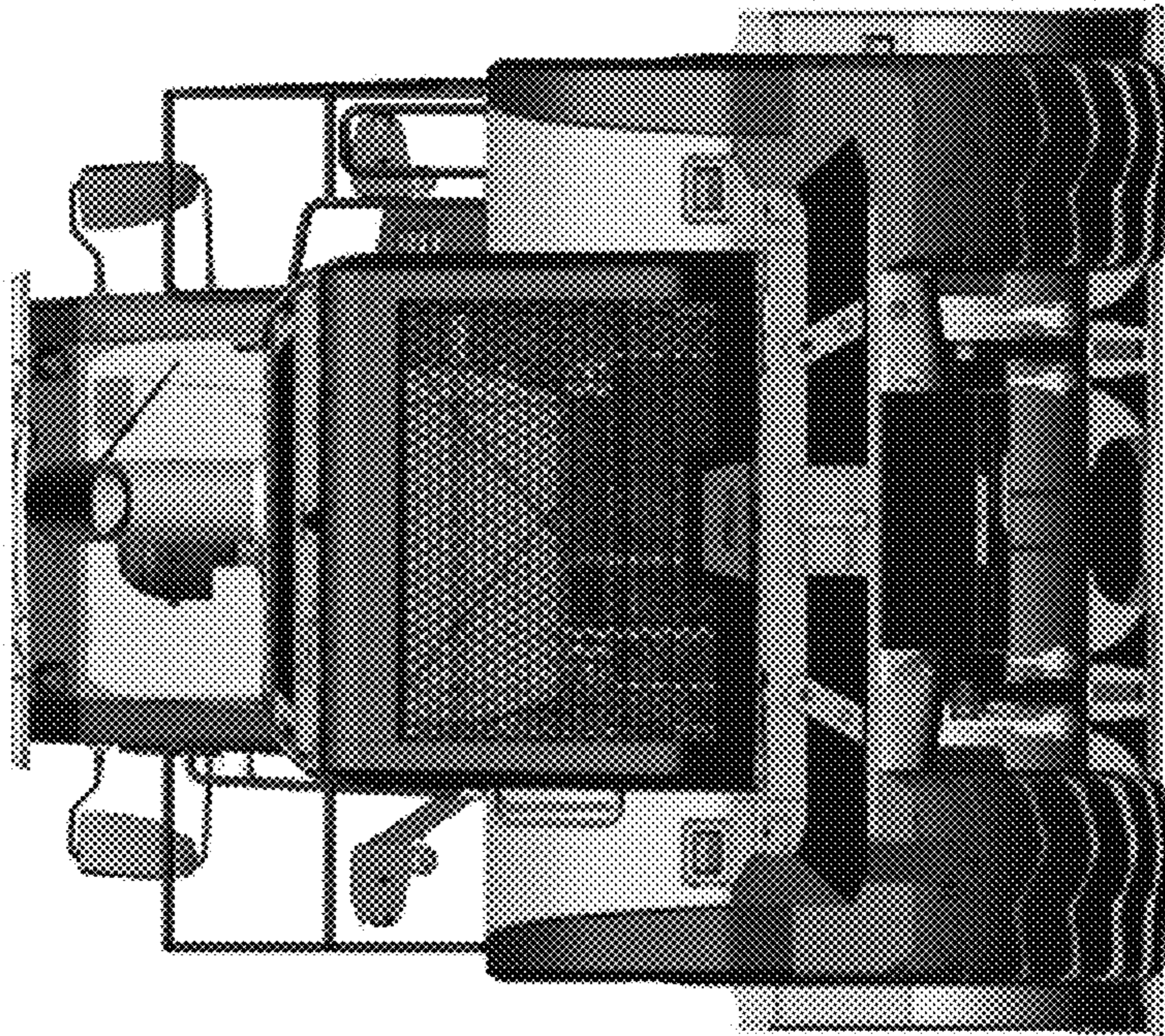


FIG. 4

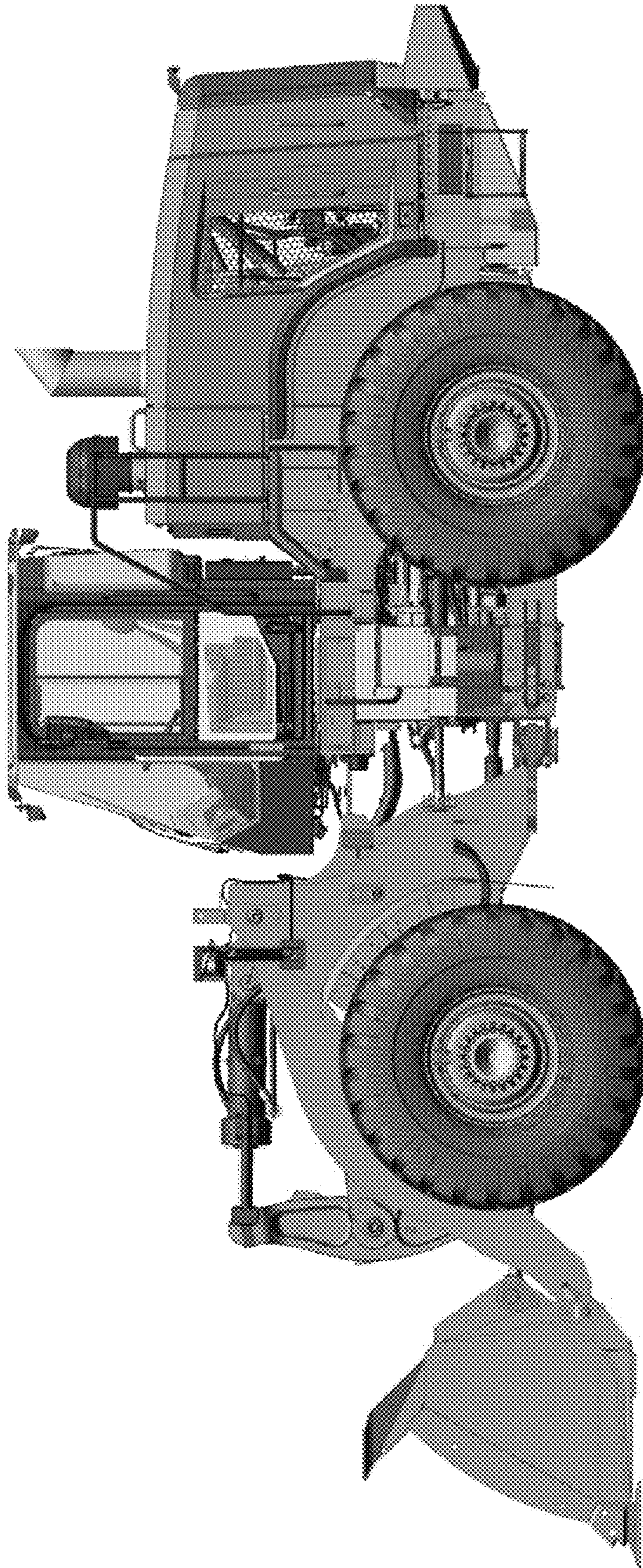


FIG. 5

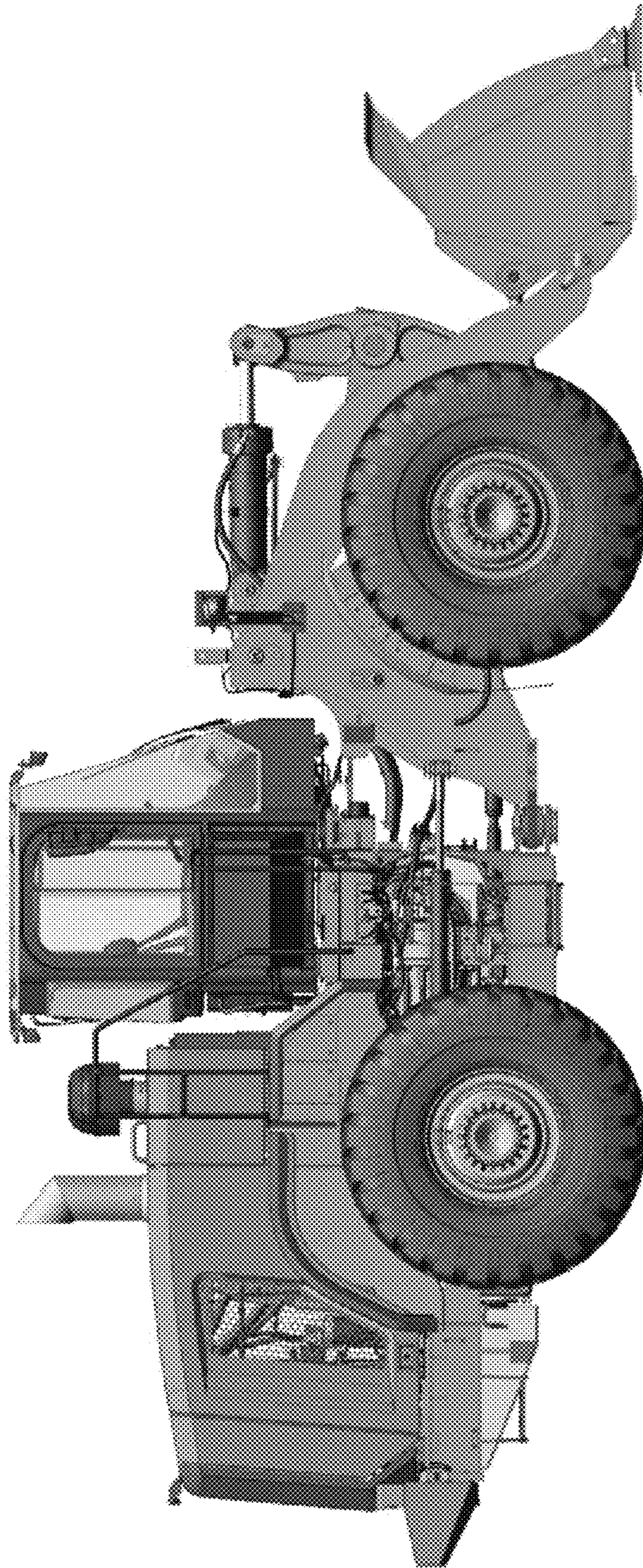


FIG. 6



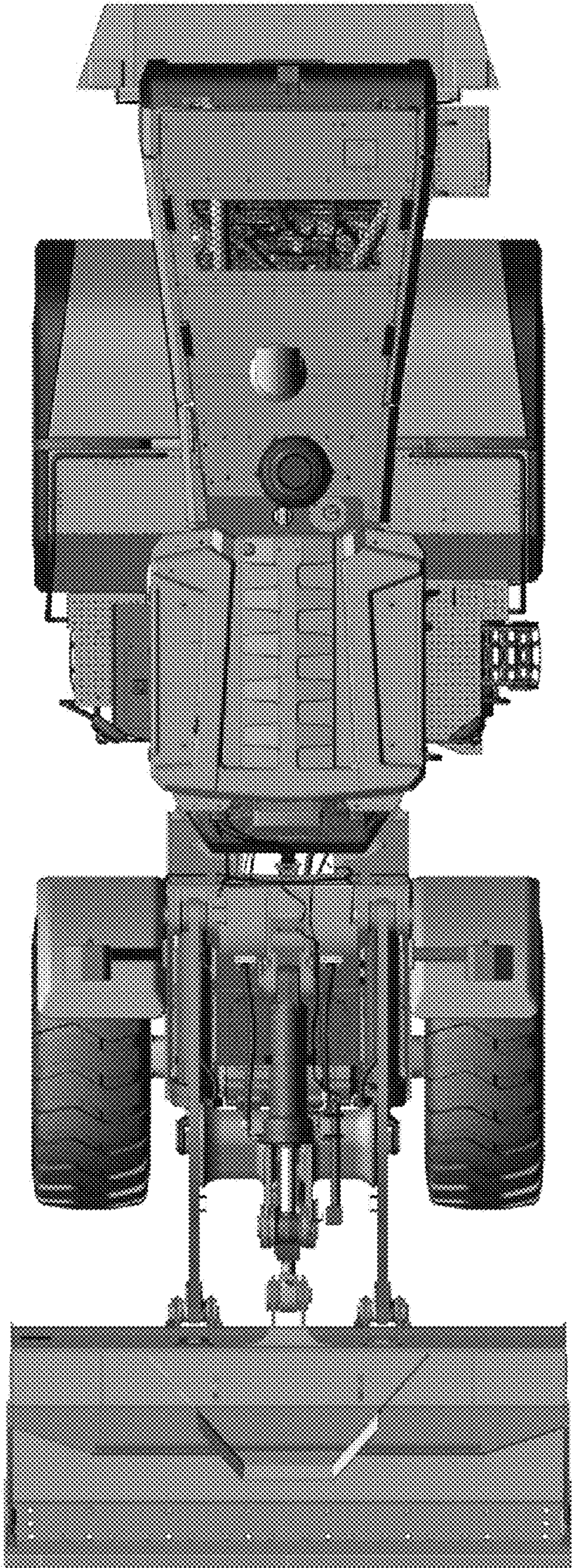


FIG. 7